



US00D516582S

(12) **United States Design Patent**  
**Giddens**

(10) **Patent No.:** **US D516,582 S**  
(45) **Date of Patent:** **\*\* Mar. 7, 2006**

(54) **PORTION OF AN ENGINE**

(75) Inventor: **Keith B. Giddens**, Simpsonville, SC  
(US)

(73) Assignee: **Liquid Combustion Technology LLC**,  
Travelers Rest, SC (US)

(\*\*) Term: **14 Years**

(21) Appl. No.: **29/231,778**

(22) Filed: **Jun. 9, 2005**

6,331,740 B1	12/2001	Morohoshi et al.	
6,362,533 B1	3/2002	Morohoshi et al.	
6,489,690 B1	12/2002	Hatsugai et al.	
6,520,141 B2	2/2003	Ryczek et al.	
6,525,430 B1	2/2003	Asai et al.	
D478,042 S	8/2003	Yaguchi et al.	
D479,244 S	* 9/2003	Kern et al.	..... D15/5
D491,193 S	* 6/2004	Davis	..... D15/1
D493,806 S	* 8/2004	Csiki	..... D15/1
D503,723 S	4/2005	Giddens	
2003/0154934 A1	8/2003	Nakamizo et al.	
2003/0182823 A1	10/2003	Sanders et al.	

\* cited by examiner

**Related U.S. Application Data**

(63) Continuation of application No. 29/199,532, filed on Feb. 16, 2004.

- (51) **LOC (8) Cl.** ..... **15-01**
- (52) **U.S. Cl.** ..... **D15/5**
- (58) **Field of Classification Search** ..... D15/1-5;  
123/41.7, 50 A, 56, 198 E, 306, 308, 661,  
123/667

See application file for complete search history.

*Primary Examiner*—Caron D. Veynar  
*Assistant Examiner*—Maurice Stevens

(74) *Attorney, Agent, or Firm*—Alston & Bird LLP

(57) **CLAIM**

The ornamental design for portion of an engine, as shown and described.

**DESCRIPTION**

FIG. 1 is a front plan view of a portion of an engine according to an embodiment of the present invention; FIG. 2 is a left side elevation view of the portion of an engine shown in FIG. 1; FIG. 3 is a perspective view of the portion of an engine shown in FIG. 1; FIG. 4 is a right side elevation view of the portion of an engine shown in FIG. 1; FIG. 5 is a top plan view of the portion of an engine shown in FIG. 1; and, FIG. 6 is a rear plan view of the portion of an engine shown in FIG. 1.

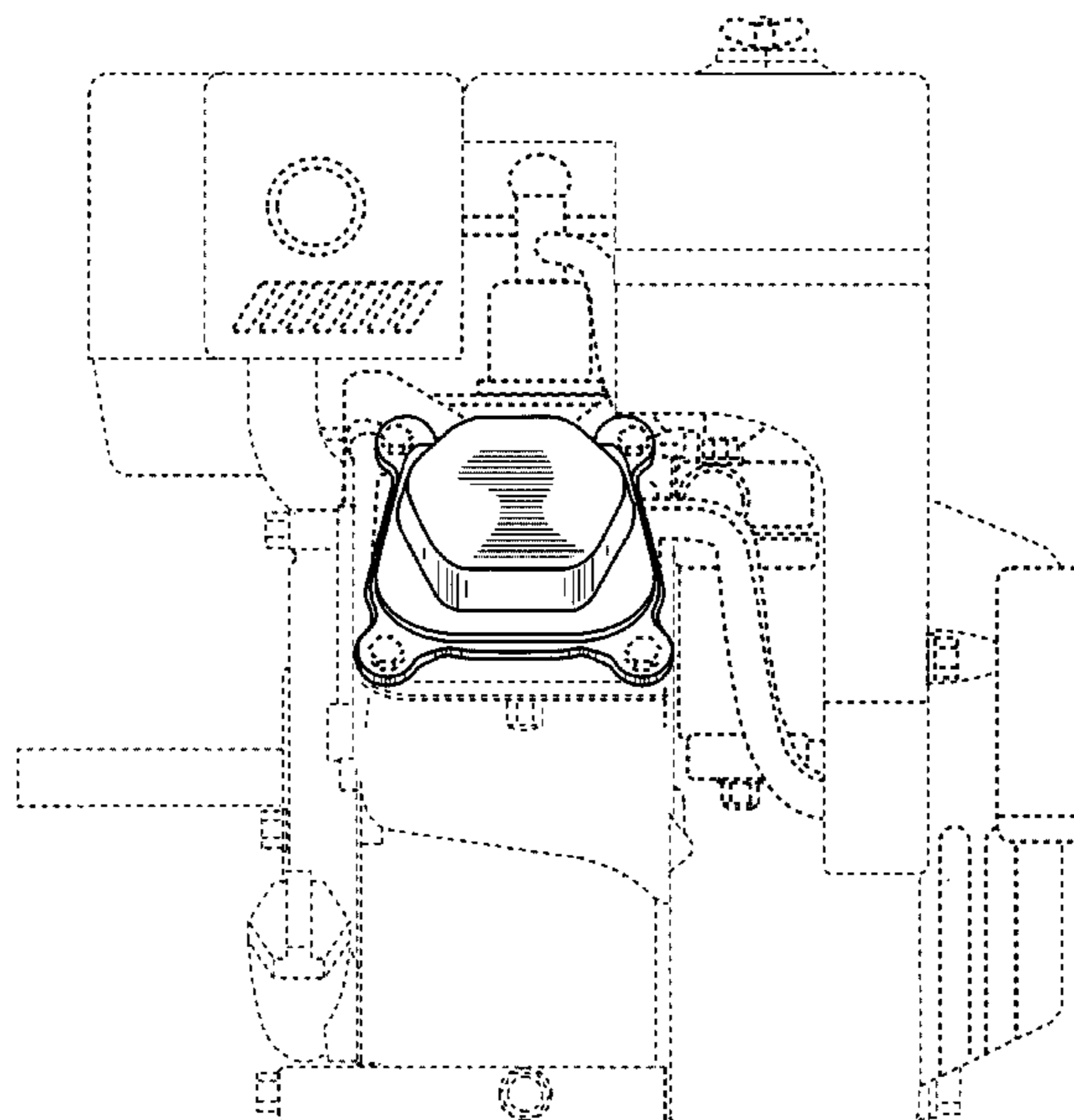
The broken lines shown herein are for illustrative purposes only and form no part of the claimed design.

(56) **References Cited**

**U.S. PATENT DOCUMENTS**

D282,071 S	1/1986	Nakamura	
D294,832 S	3/1988	Itou et al.	
4,813,385 A	3/1989	Yamaguchi et al.	
D307,148 S	4/1990	Mikado	
D309,458 S	7/1990	Johnson et al.	
5,072,627 A	12/1991	Horiye et al.	
D396,476 S	7/1998	Shimizu	
D414,498 S	9/1999	Yoshida	
D421,024 S	* 2/2000	Katoh	..... D15/1
D441,714 S	5/2001	Yuzuriha	
6,240,889 B1	6/2001	Kuwabara et al.	
D444,478 S	7/2001	Shimizu	
D449,051 S	10/2001	Miyashita	

**1 Claim, 6 Drawing Sheets**



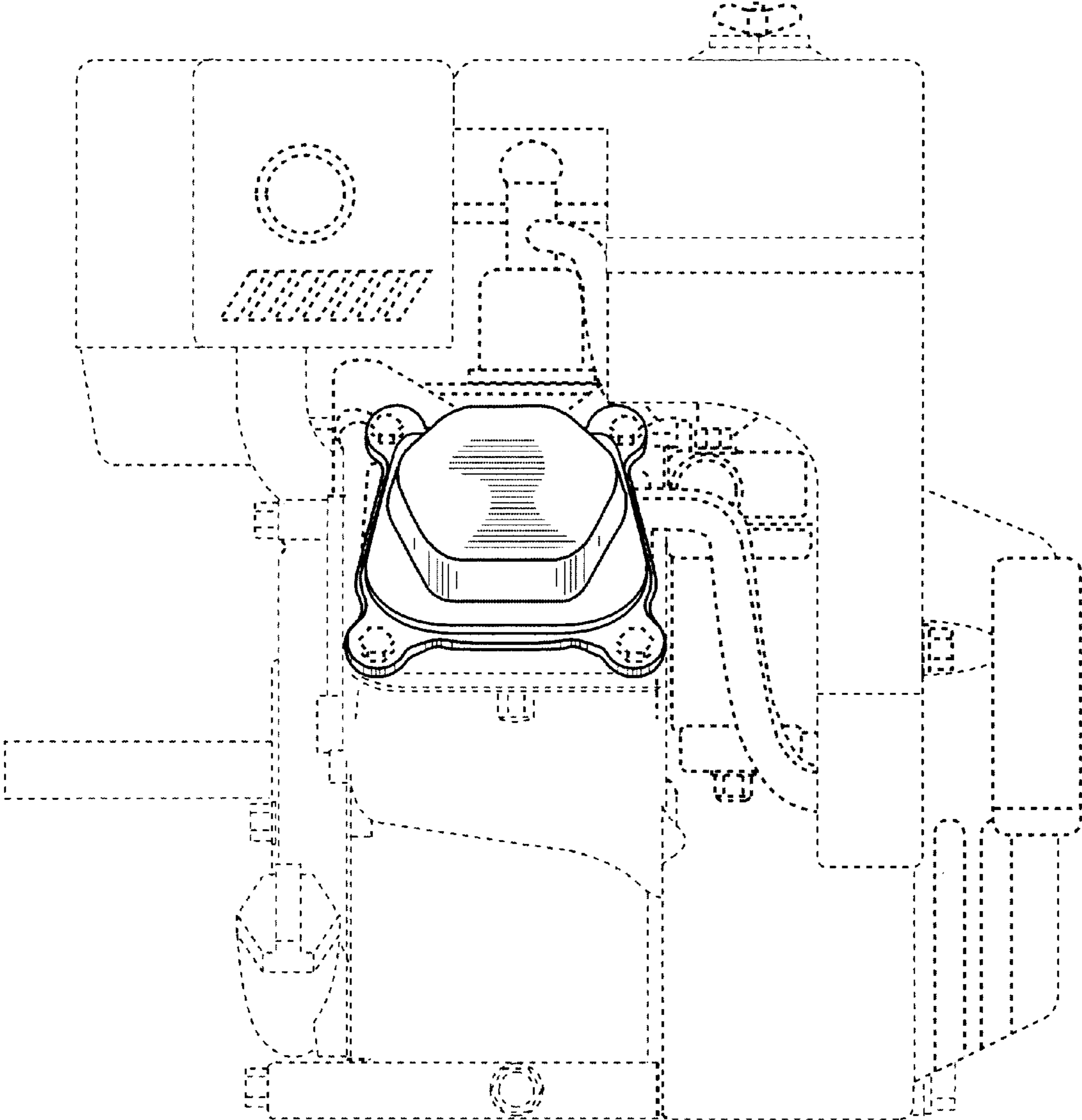


FIG. 1

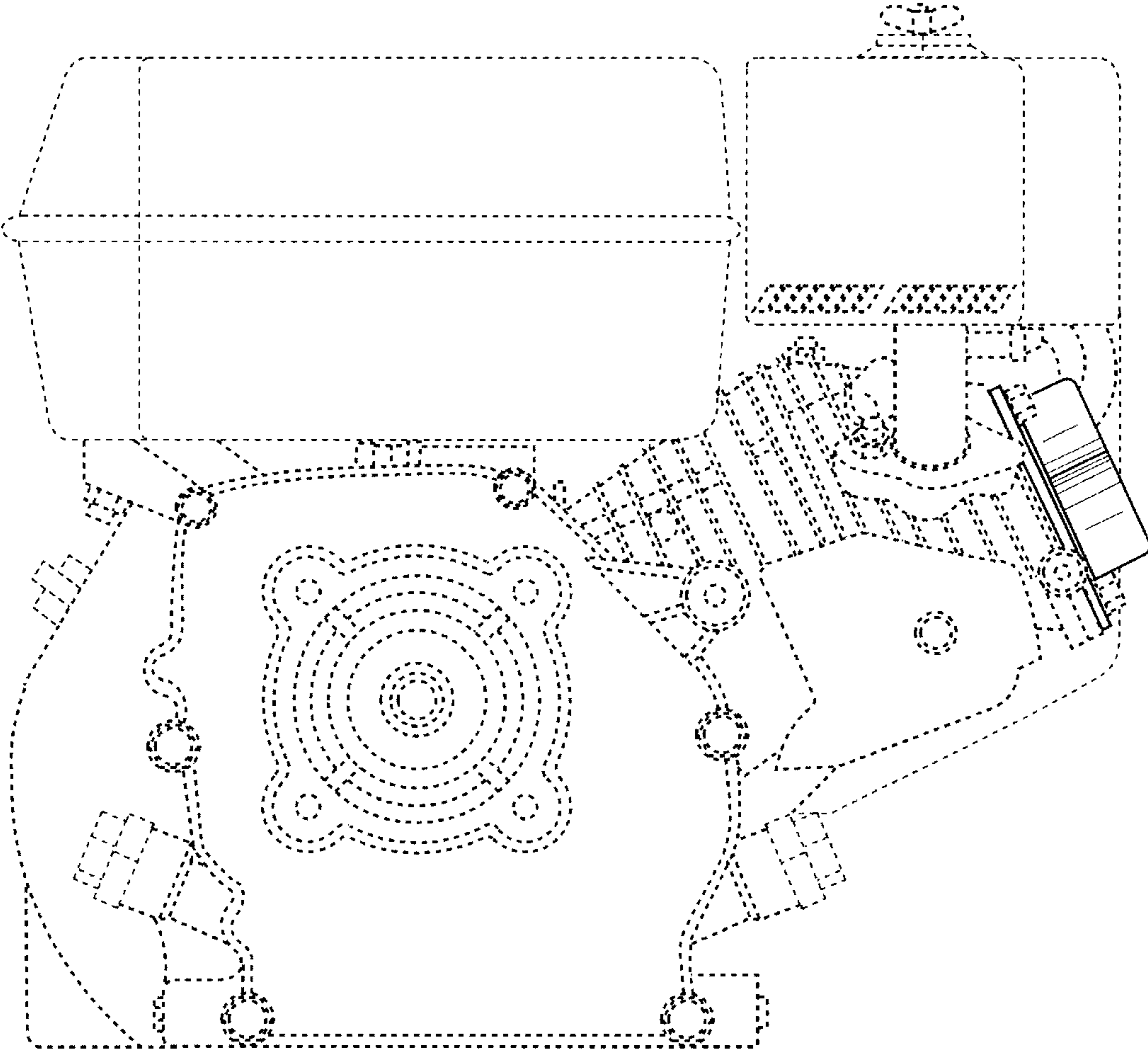


FIG. 2

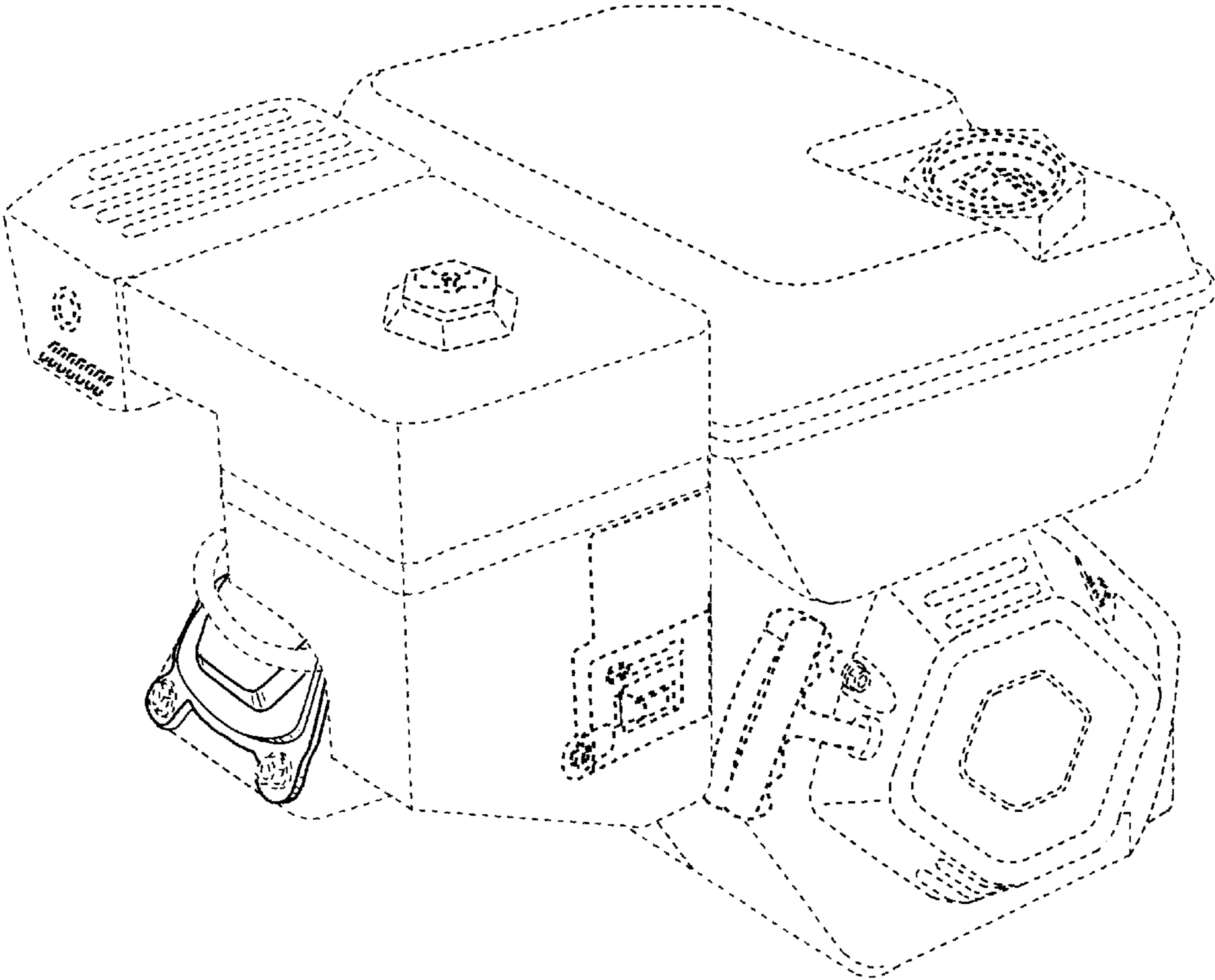


FIG. 3

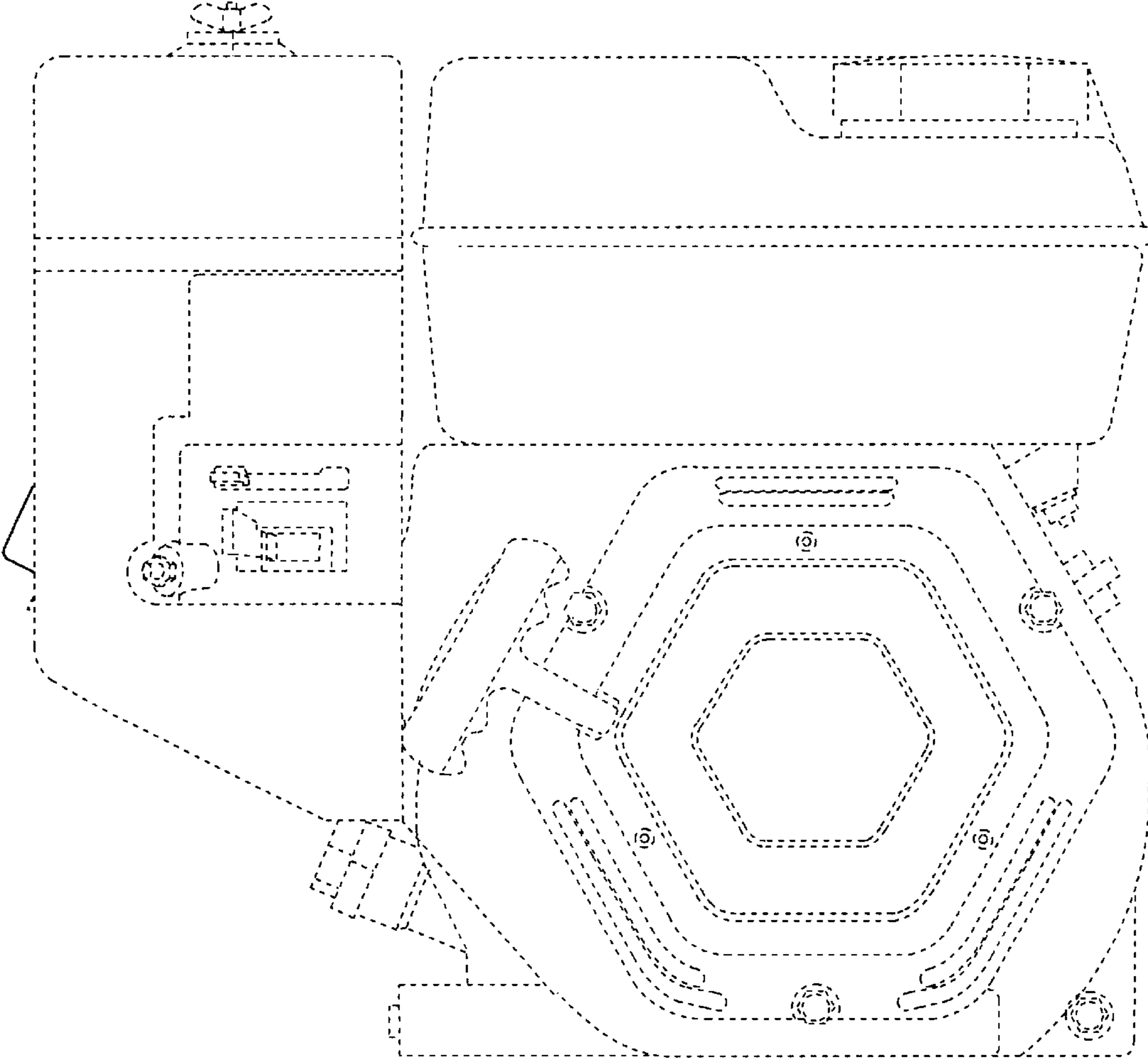
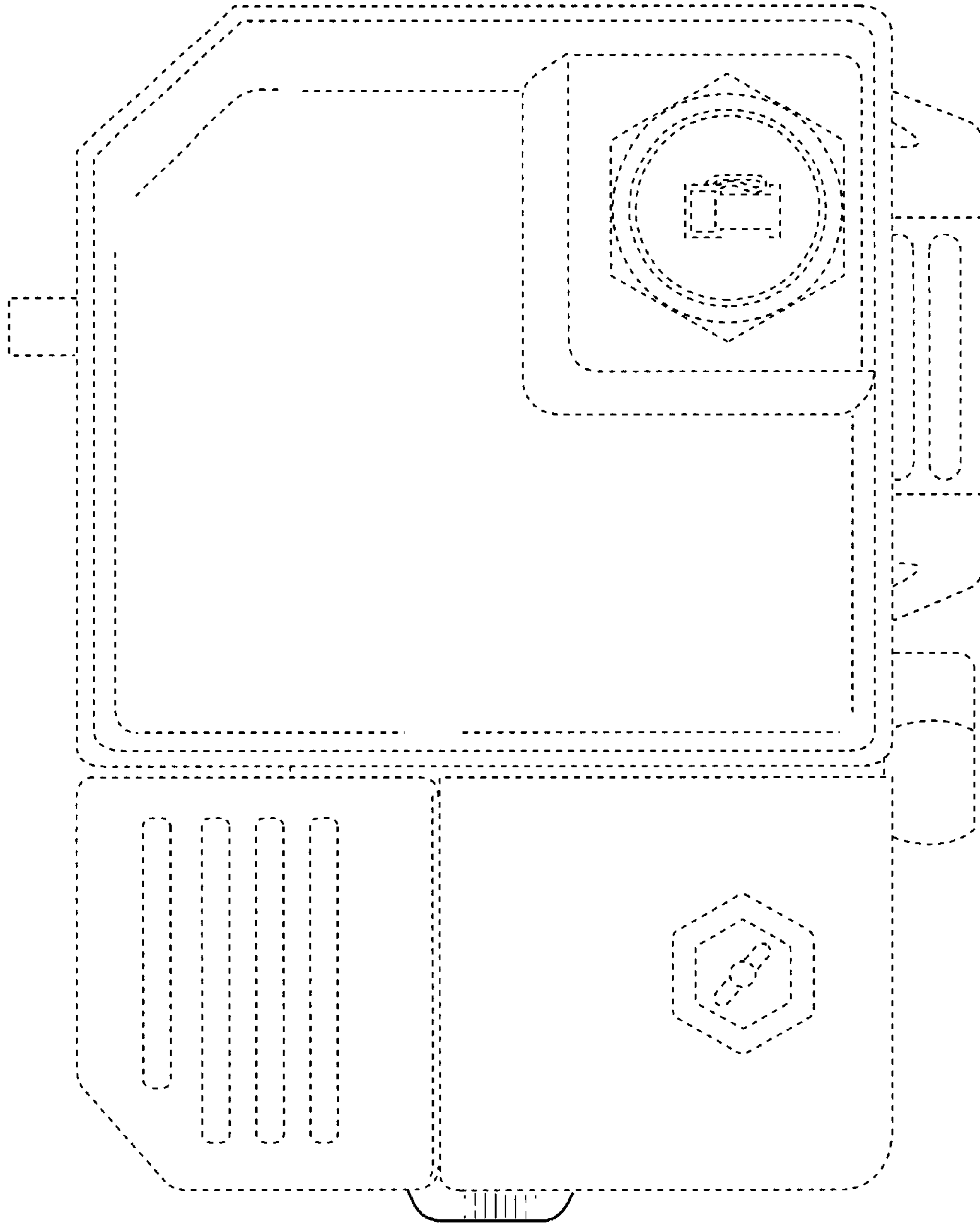


FIG. 4

FIG. 5



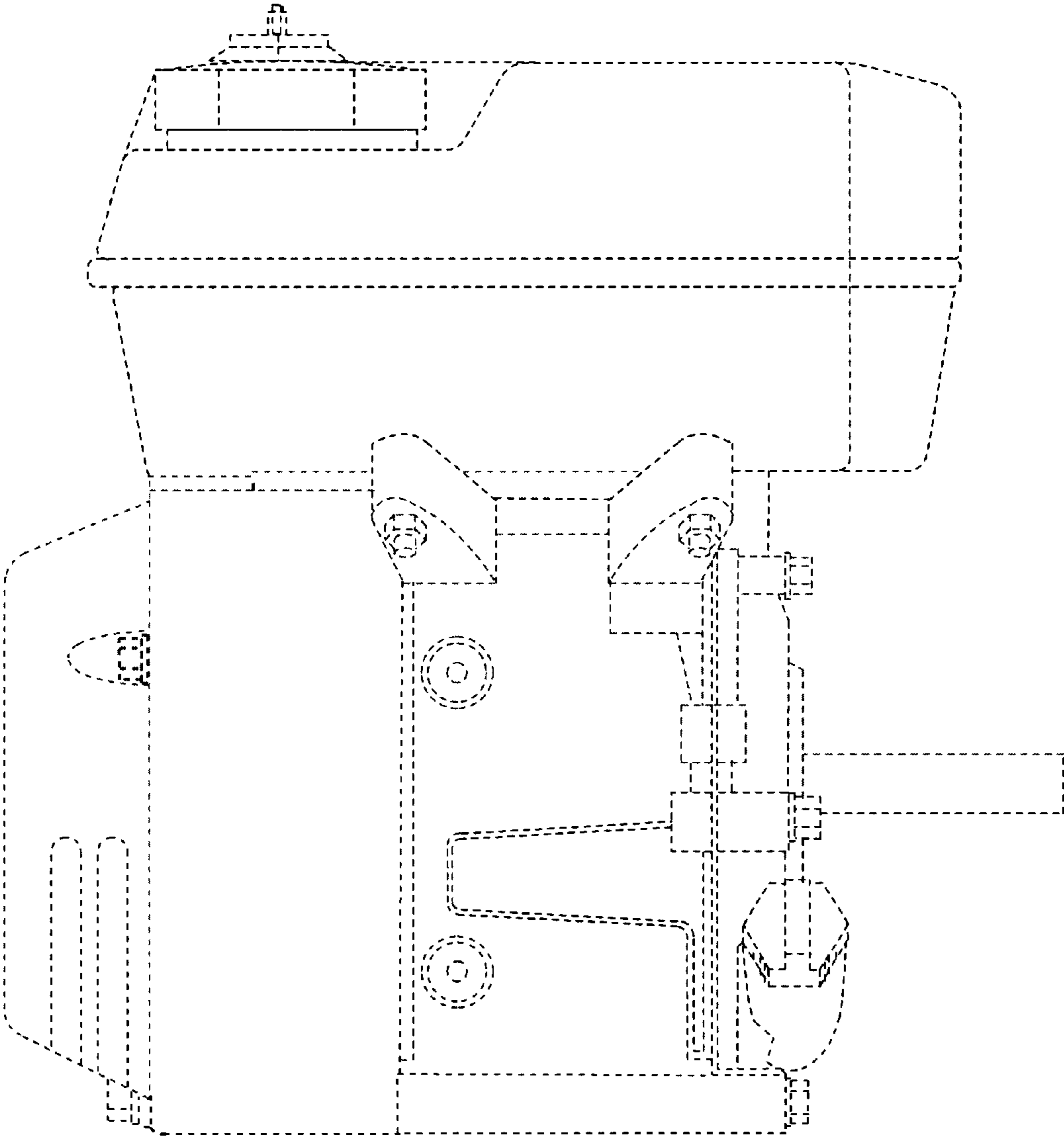


FIG. 6