



US00D516580S

(12) **United States Design Patent**  
**Li**

(10) **Patent No.:** **US D516,580 S**  
(45) **Date of Patent:** **\*\* Mar. 7, 2006**

(54) **GASOLINE ENGINE**

(76) **Inventor:** **Wenshan Li**, No. 25, Erland Road,  
Shiqiaopu, Jiulongpo District,  
Chongqing 4000039 (CN)

(\*\*) **Term:** **14 Years**

(21) **Appl. No.:** **29/213,636**

(22) **Filed:** **Sep. 21, 2004**

(30) **Foreign Application Priority Data**

May 24, 2004 (CN) ..... 2004 300508586

(51) **LOC (8) Cl.** ..... **15-01**

(52) **U.S. Cl.** ..... **D15/1**

(58) **Field of Classification Search** ..... D15/1,  
D15/3

See application file for complete search history.

(56) **References Cited**

**U.S. PATENT DOCUMENTS**

D293,114 S	*	12/1987	Brogdon	.....	D15/1
D294,832 S	*	3/1988	Itou et al.	.....	D15/1
D307,147 S	*	4/1990	Sasaki et al.	.....	D15/1
D307,148 S	*	4/1990	Mikado	.....	D15/1
D353,381 S	*	12/1994	Yoshida et al.	.....	D15/1

D367,070 S	*	2/1996	Maeda et al.	.....	D15/1
D396,045 S	*	7/1998	Neeley	.....	D15/1
D396,476 S	*	7/1998	Shimizu	.....	D15/1
D474,783 S	*	5/2003	Momoi	.....	D15/1
D488,167 S	*	4/2004	Momoi	.....	D15/1

\* cited by examiner

*Primary Examiner*—Caron D. Veynar

*Assistant Examiner*—Maurice Stevens

(74) *Attorney, Agent, or Firm*—Todd S. Parkhurst; Holland & Knight LLP

(57) **CLAIM**

The ornamental design for a gasoline engine, as shown and described.

**DESCRIPTION**

FIG. 1 is a perspective view of the engine design.

FIG. 2 is a left side view of the engine.

FIG. 3 is a right side view of the engine.

FIG. 4 is a front view of the engine.

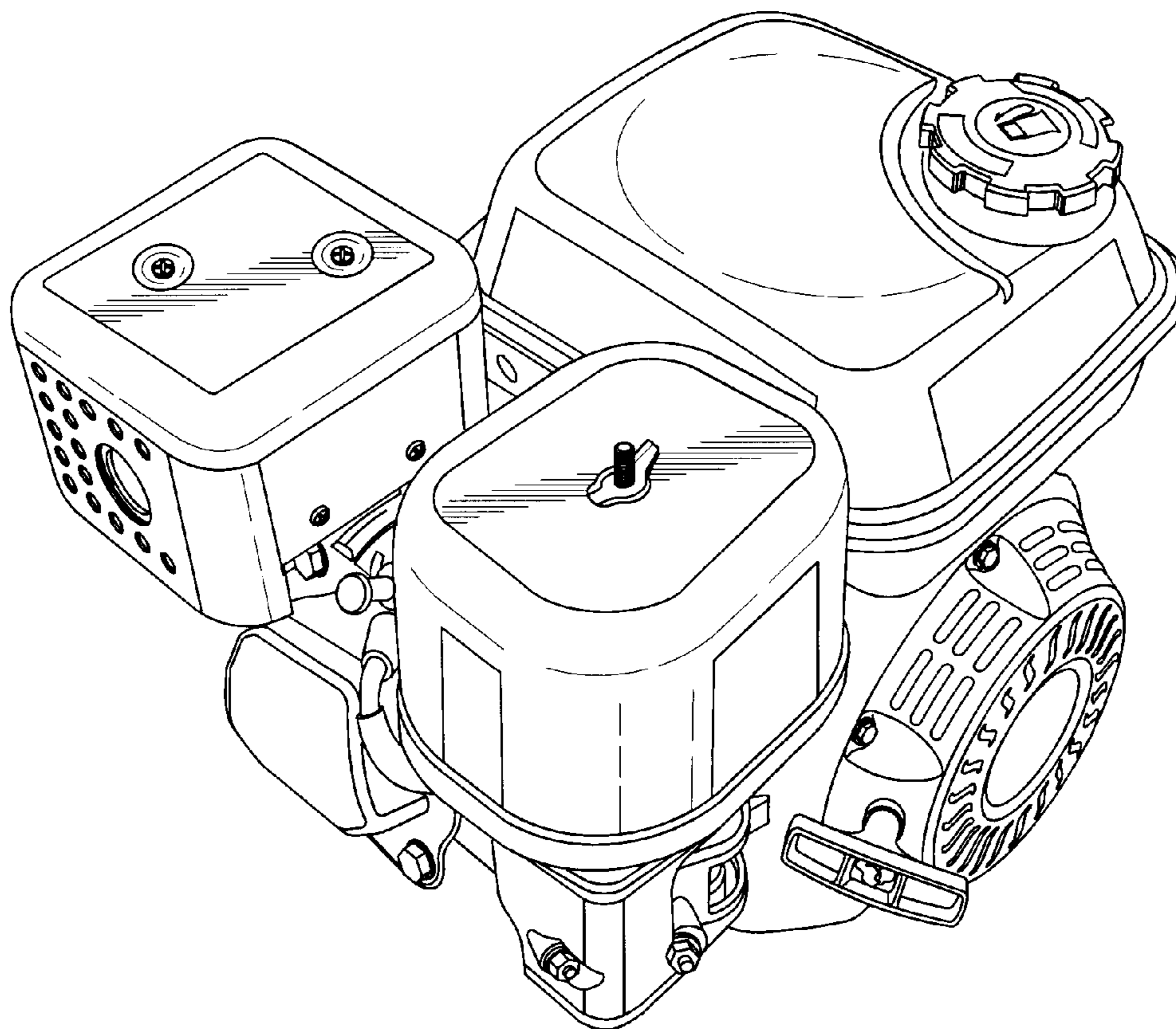
FIG. 5 is a rear view of the engine.

FIG. 6 is a top view of the engine; and,

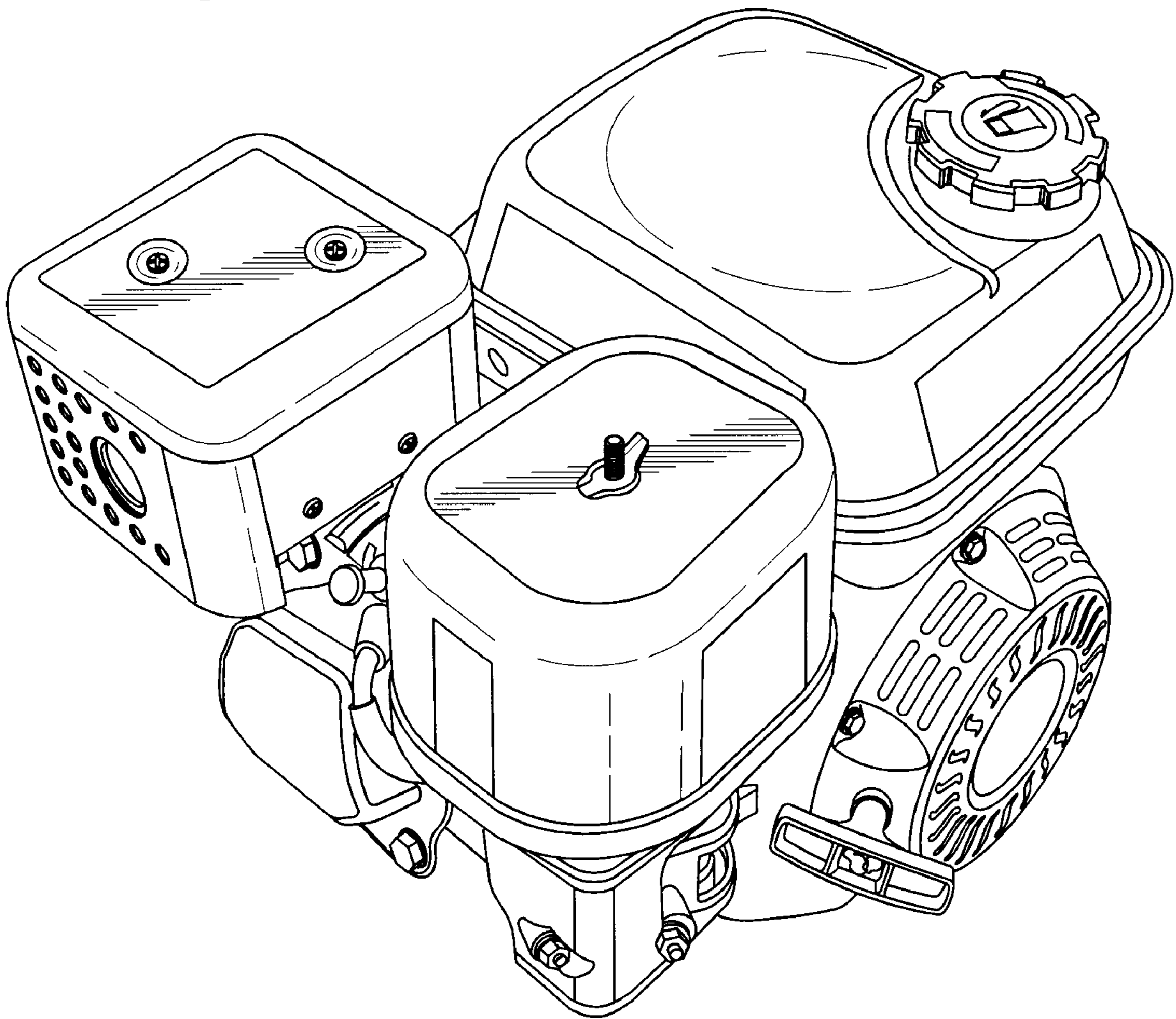
FIG. 7 is a bottom view of the engine.

The broken lines shown in FIG. 7 are for illustrative purposes only and form no part of the claimed design.

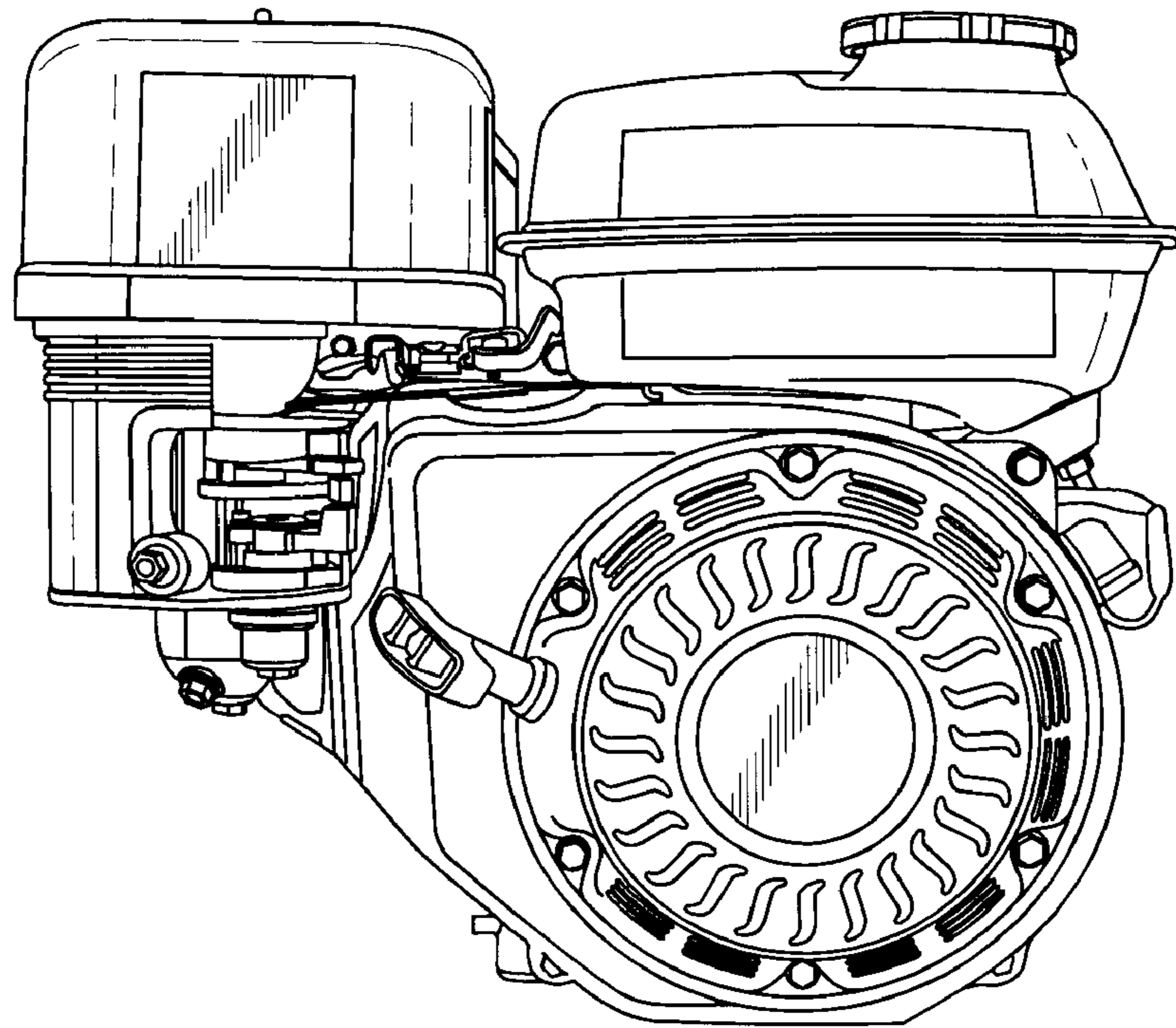
**1 Claim, 5 Drawing Sheets**



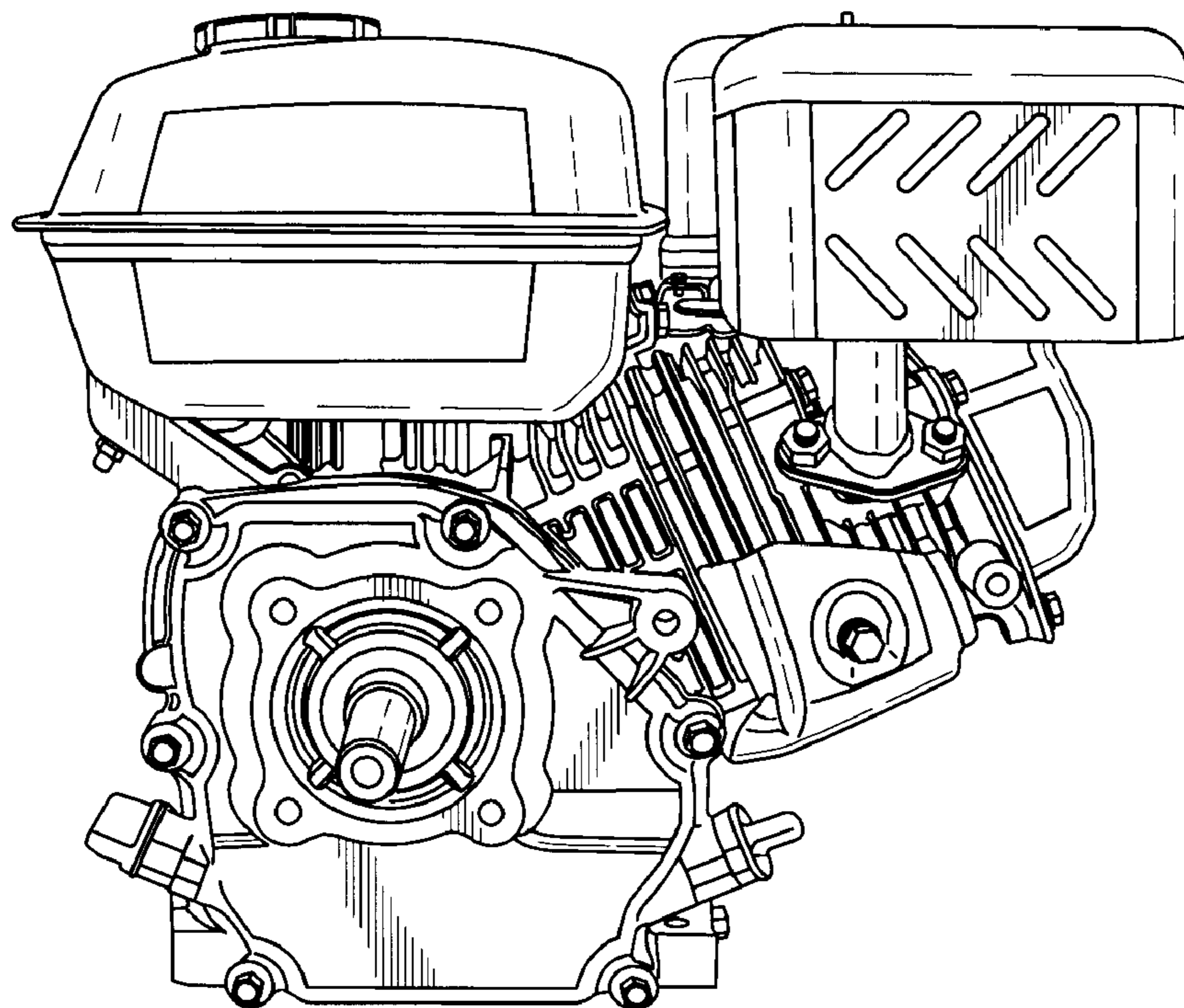
*Fig. 1*



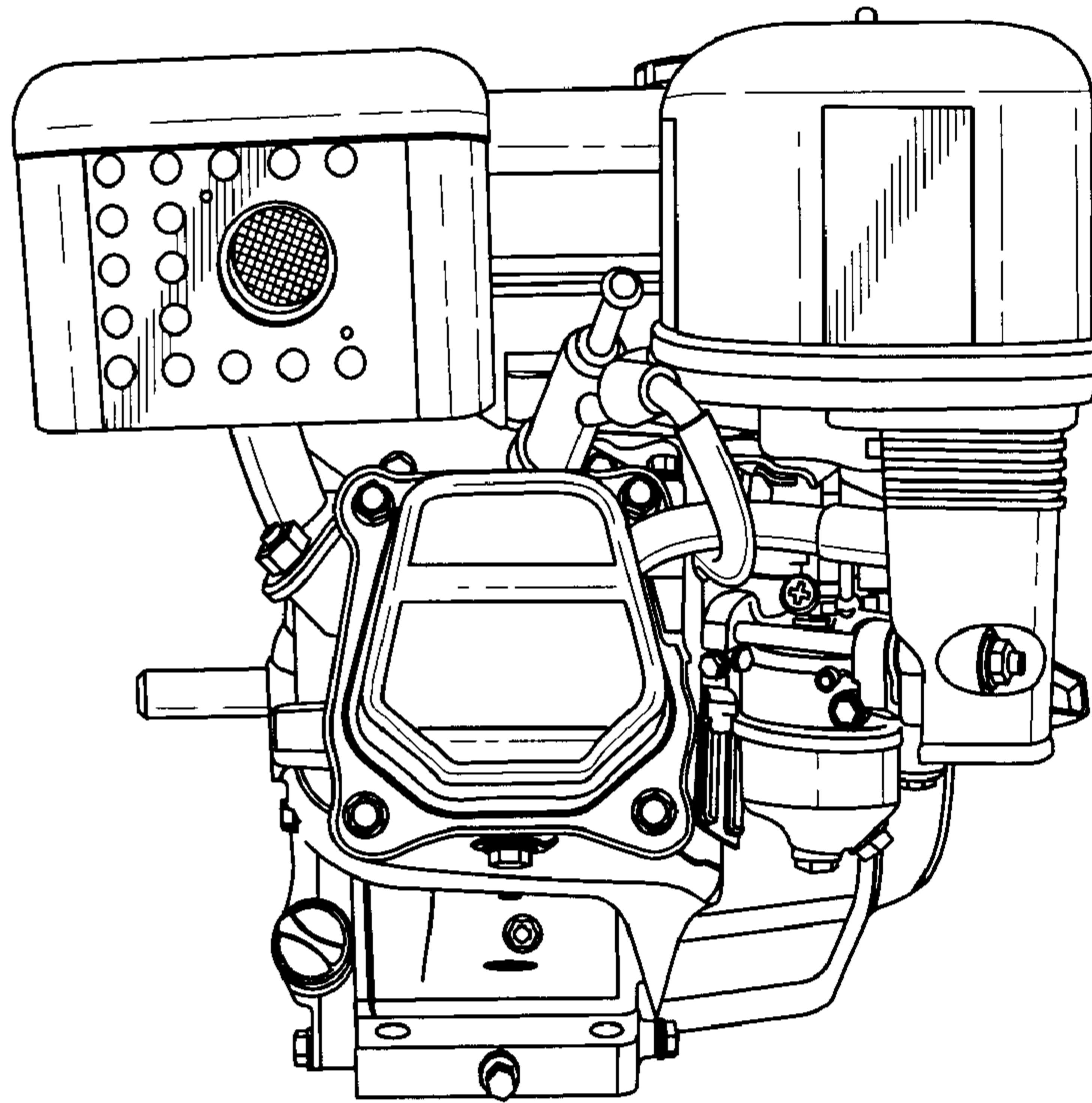
*Fig. 2*



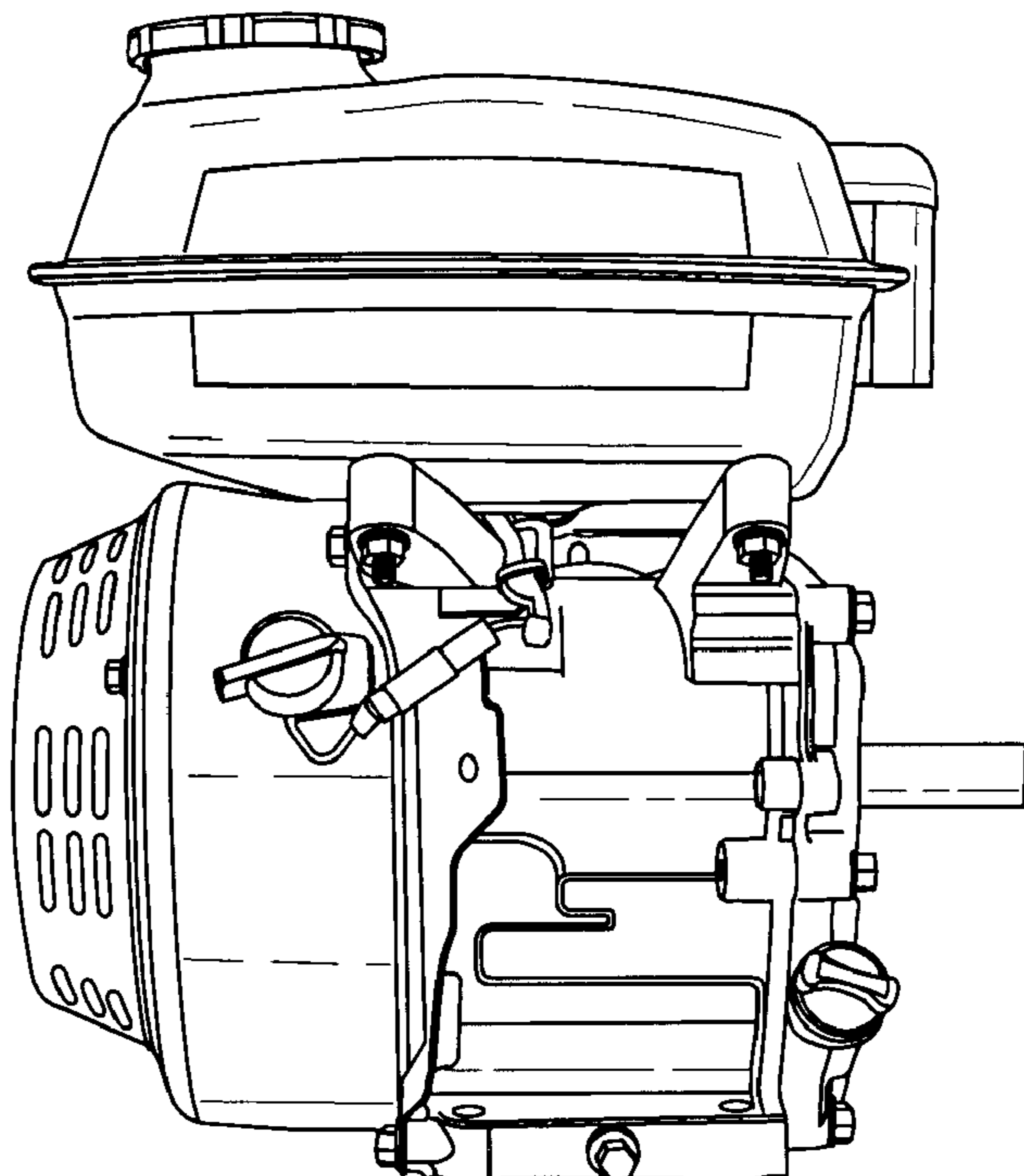
*Fig. 3*



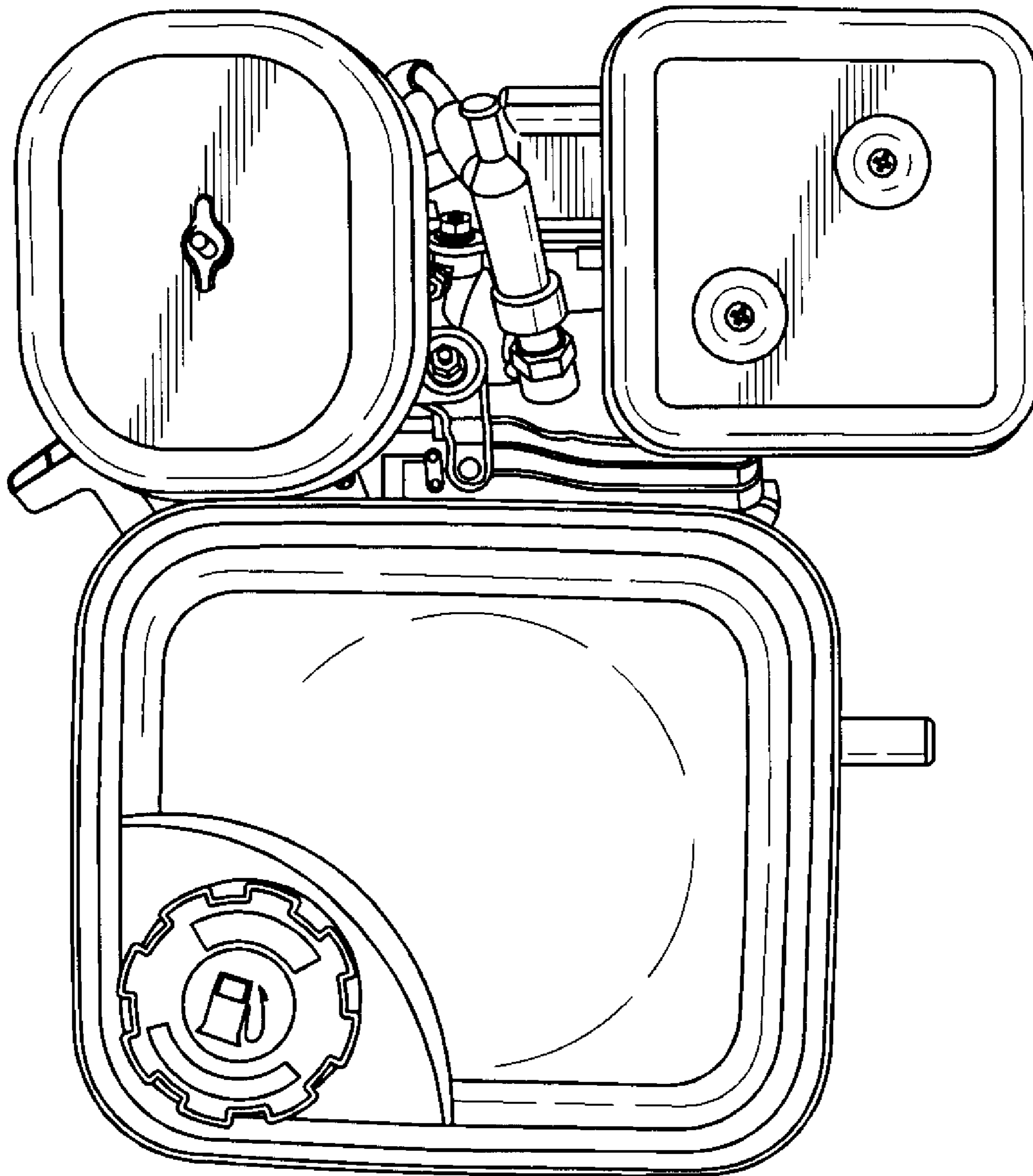
*Fig. 4*



*Fig. 5*



*Fig. 6*



*Fig. 7*

