



US00D516578S

(12) **United States Design Patent**
Matsuoka

(10) **Patent No.:** **US D516,578 S**
(45) **Date of Patent:** **** Mar. 7, 2006**

(54) **COMBINED AUDIO AND VISUAL
RECORDER/PLAYER AND HARD DISC
DRIVE**

(75) Inventor: **Shoichiro Matsuoka, Tokyo (JP)**

(73) Assignee: **Sony Corporation, Tokyo (JP)**

(**) Term: **14 Years**

(21) Appl. No.: **29/221,988**

(22) Filed: **Jan. 26, 2005**

(51) **LOC (8) Cl.** **14-03**

(52) **U.S. Cl.** **D14/496; D14/156; D14/160**

(58) **Field of Classification Search** **D14/496,**
D14/156, 160, 162, 163, 168, 188, 194, 433,
D14/435, 474, 478, 135, 265; 369/1, 2, 24.01;
370/342-344; 455/347-351; 463/1, 30-47;
273/148 B

See application file for complete search history.

(56) **References Cited**

U.S. PATENT DOCUMENTS

5,654,846	A	*	8/1997	Wicks et al.	360/97.01
5,661,632	A	*	8/1997	Register	361/683
5,825,408	A	*	10/1998	Yuyama et al.	348/14.01
6,122,526	A	*	9/2000	Parulski et al.	455/556.1
D452,226	S	*	12/2001	Simpson et al.	D14/167
6,595,860	B1	*	7/2003	Yamamoto et al.	463/43
D482,014	S		11/2003	Hakoda et al.		
D488,483	S	*	4/2004	Hu	D14/496

D489,052	S	*	4/2004	Shiraki et al.	D14/156
D489,731	S	*	5/2004	Huang	D14/496
D492,323	S	*	6/2004	Wang	D14/496
D493,789	S		8/2004	Takuma		
D505,428	S	*	5/2005	Yagihashi	D14/496
D507,003	S	*	7/2005	Pai et al.	D14/496

OTHER PUBLICATIONS

Web page "MPEG-4 Video Player & Recorder" http://www.archos.com/products/prw_500542.html?sid+j22kyyysbyjokojbfksjc 1 sheet, ARCHOS (Nov. 2004).

* cited by examiner

Primary Examiner—Prabhakar Deshmukh

(74) *Attorney, Agent, or Firm*—Rader, Fishman & Grauer PLLC

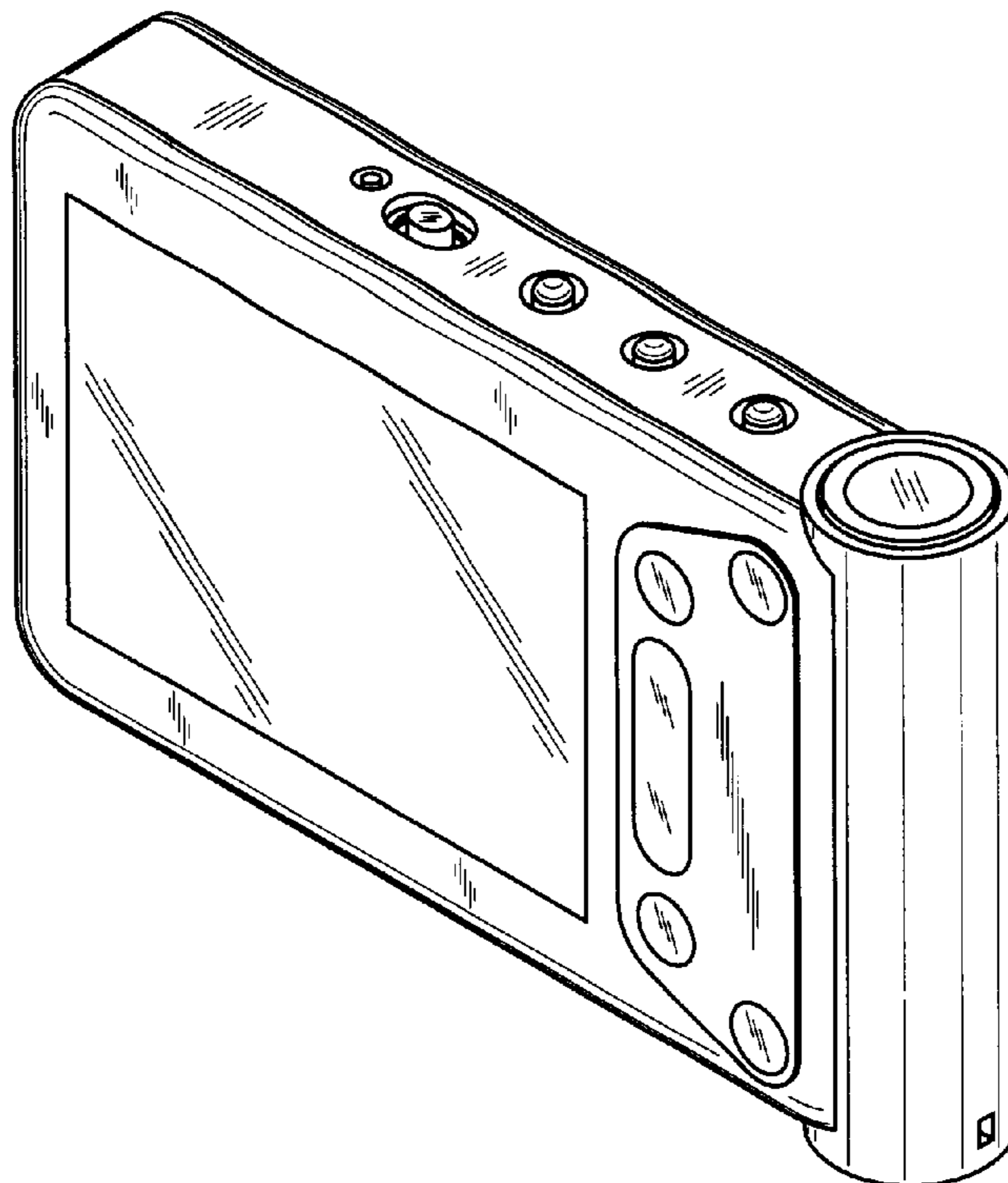
(57) **CLAIM**

The ornamental design for a combined audio and visual recorder/player and hard disc drive, as shown.

DESCRIPTION

FIG. 1 is a perspective view of a combined audio and visual recorder/player and hard disc drive showing my new design; FIG. 2 is a front elevational view thereof; FIG. 3 is a rear elevational view thereof; FIG. 4 is a left side elevational view thereof; FIG. 5 is a right side elevational view thereof; FIG. 6 is a top plan view thereof; and, FIG. 7 is a bottom plan view thereof.

1 Claim, 4 Drawing Sheets



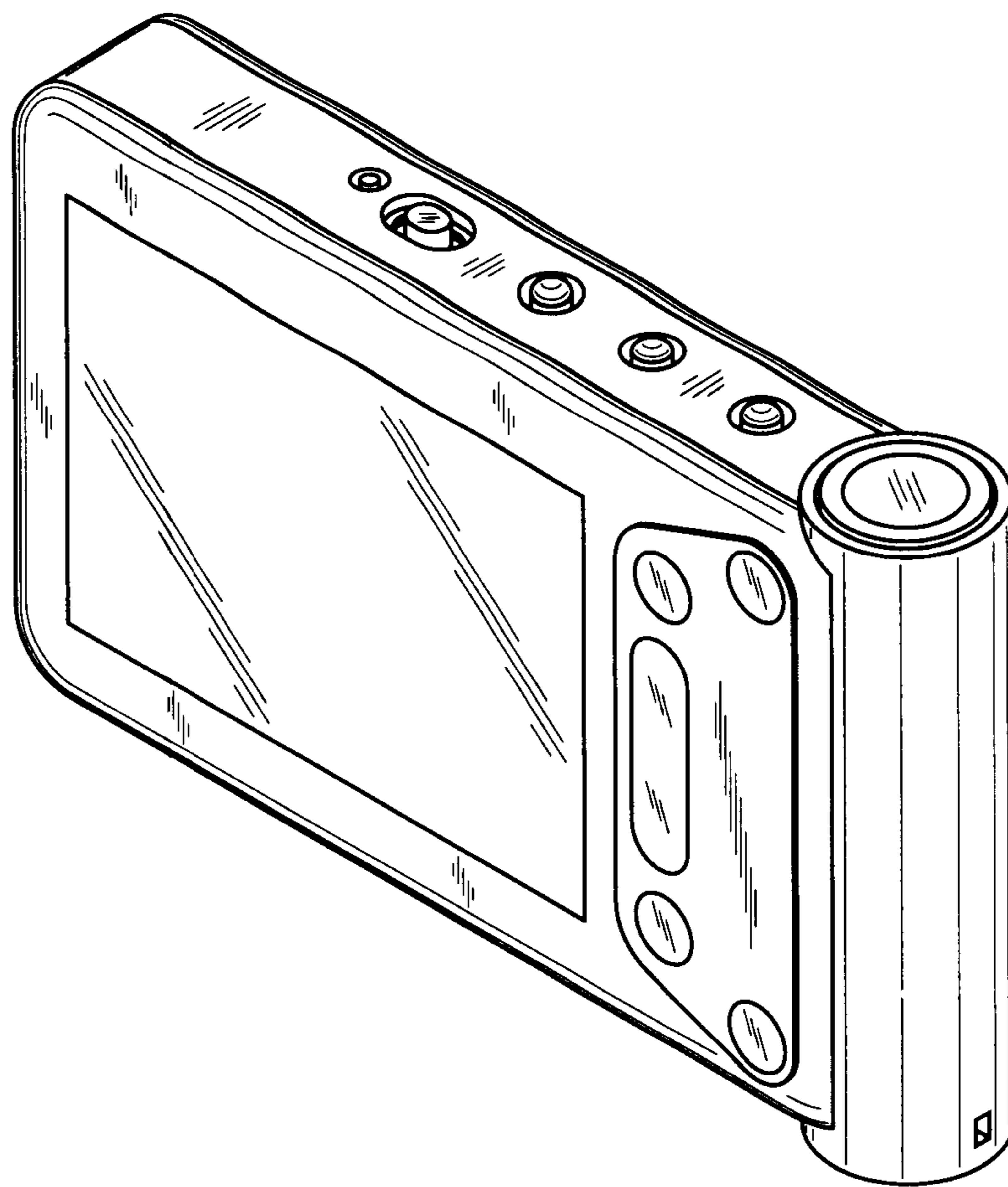


FIG. 1

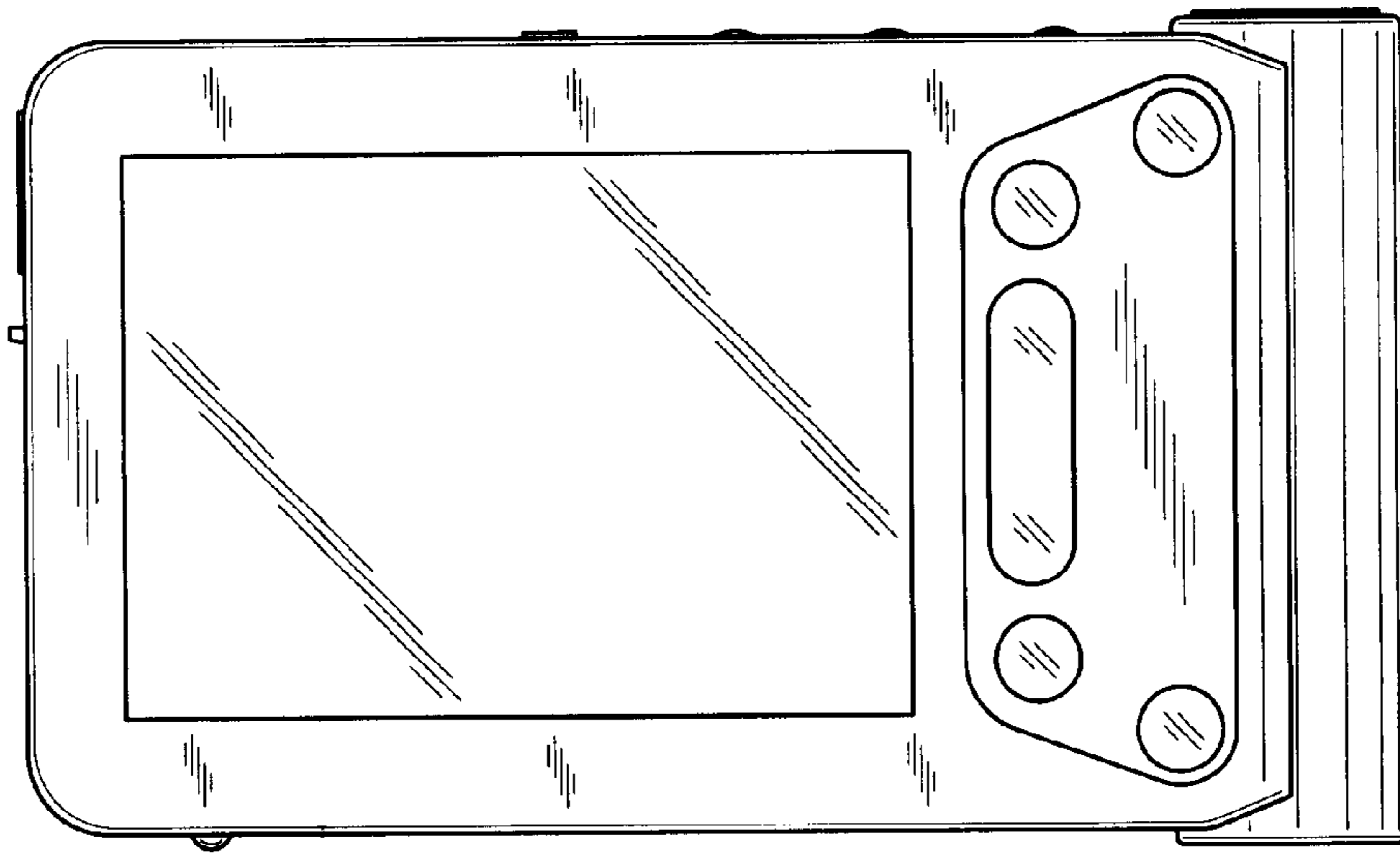


FIG. 2

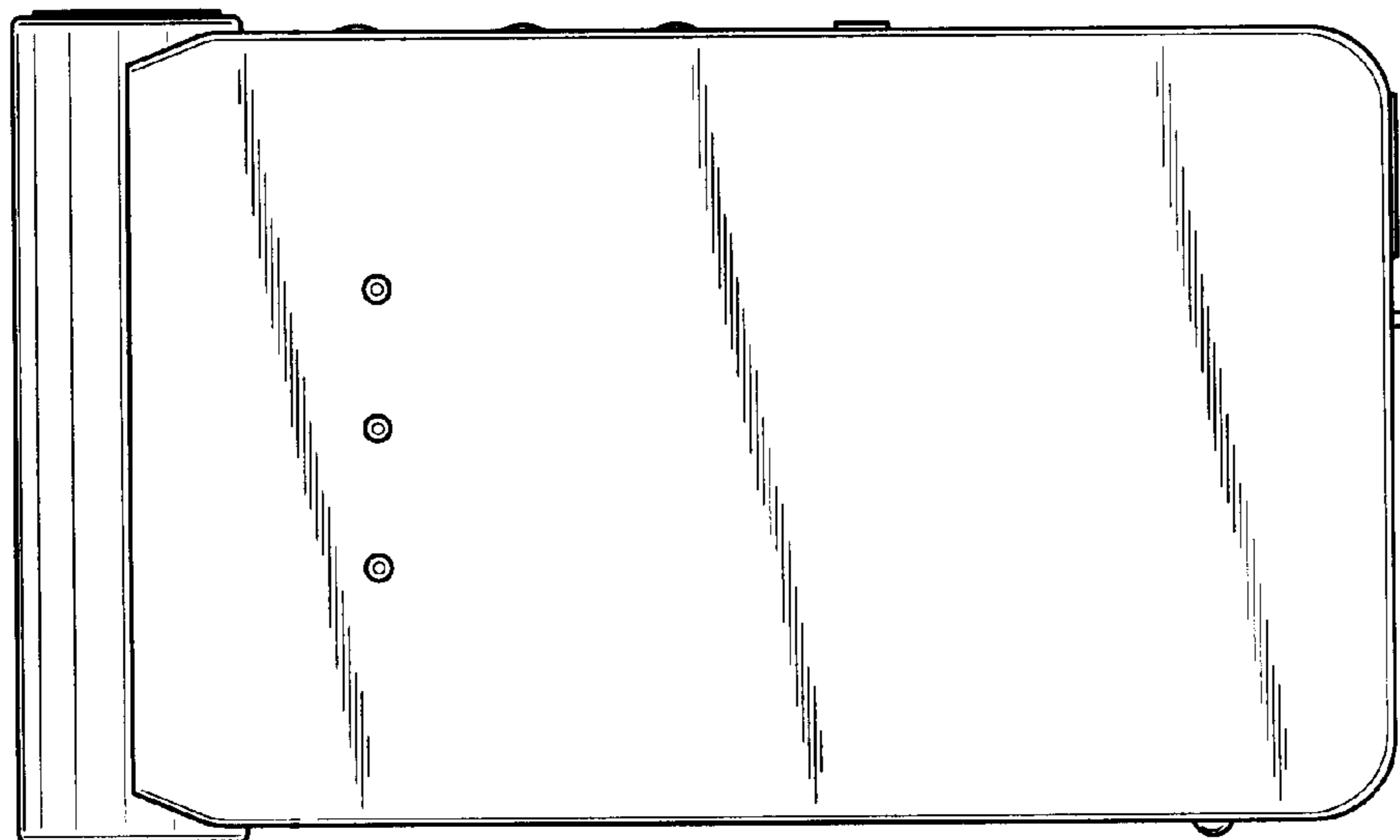


FIG. 3

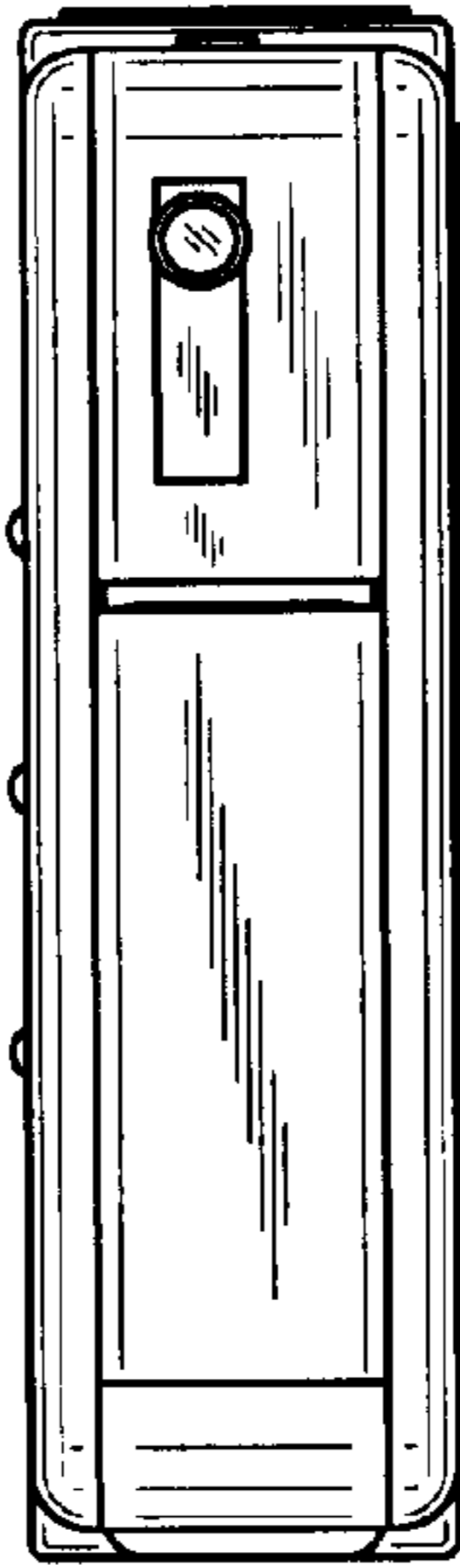


FIG. 4



FIG. 5

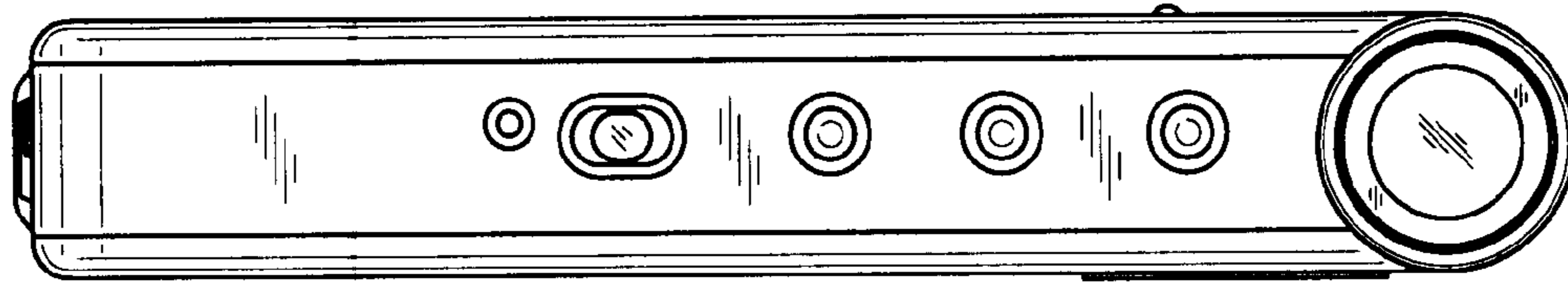


FIG. 6

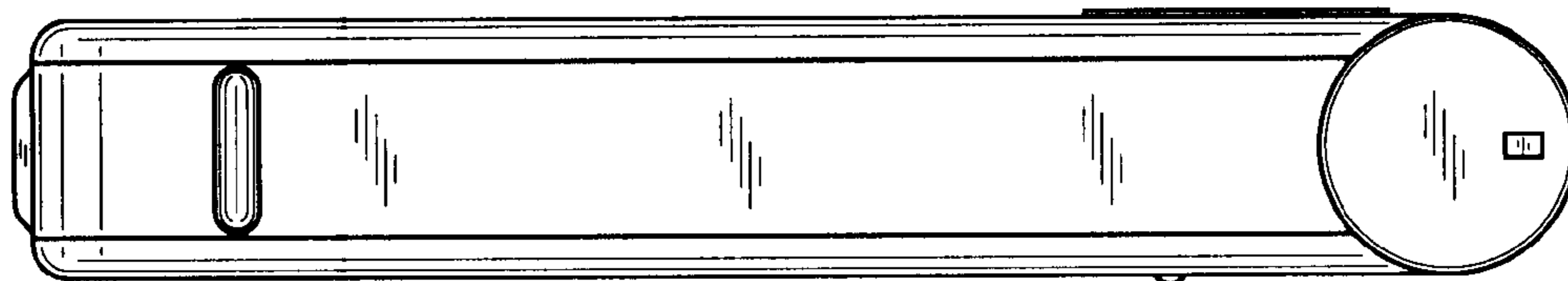


FIG. 7