



US00D516577S

(12) **United States Design Patent**  
**Matsuoka**

(10) **Patent No.:** **US D516,577 S**  
(45) **Date of Patent:** **\*\* Mar. 7, 2006**

(54) **COMBINED AUDIO AND VISUAL  
RECORDER/PLAYER AND HARD DISC  
DRIVE**

(75) Inventor: **Shoichiro Matsuoka, Tokyo (JP)**

(73) Assignee: **Sony Corporation, Tokyo (JP)**

(\*\*) Term: **14 Years**

(21) Appl. No.: **29/221,987**

(22) Filed: **Jan. 26, 2005**

(51) **LOC (8) Cl.** ..... **14-03**

(52) **U.S. Cl.** ..... **D14/496; D14/156; D14/160;  
D14/217**

(58) **Field of Classification Search** ..... **D14/496,  
D14/156, 160, 162, 163, 168, 188, 194, 433,  
D14/435, 474, 478, 135, 265, 217; 369/1,  
369/2, 24.01; 370/342-344; 455/347-351;  
463/1, 30-47; 273/148 B**

See application file for complete search history.

(56) **References Cited**

**U.S. PATENT DOCUMENTS**

5,654,846	A	*	8/1997	Wicks et al.	.....	360/97.01
5,661,632	A	*	8/1997	Register	.....	361/683
5,825,408	A	*	10/1998	Yuyama et al.	.....	348/14.01
6,122,526	A	*	9/2000	Parulski et al.	.....	455/556.1
D452,226	S	*	12/2001	Simpson et al.	.....	D14/167
6,595,860	B1	*	7/2003	Yamamoto et al.	.....	463/43
D482,014	S		11/2003	Hakoda et al.		
D488,483	S	*	4/2004	Hu	.....	D14/496
D489,052	S	*	4/2004	Shiraki et al.	.....	D14/156

D489,731	S	*	5/2004	Huang	.....	D14/496
D492,323	S	*	6/2004	Wang	.....	D14/496
D493,789	S		8/2004	Takuma		
D505,428	S	*	5/2005	Yagihashi	.....	D14/496
D507,003	S	*	7/2005	Pai et al.	.....	D14/496

**OTHER PUBLICATIONS**

Web page "MPEG-4 Video Player & Recorder" [http://www.archos.com/products/prw\\_500542.html?sid+i22kyyysbyiokoibfksic](http://www.archos.com/products/prw_500542.html?sid+i22kyyysbyiokoibfksic) 1 sheet, ARCHOS (Nov. 2004).

\* cited by examiner

*Primary Examiner*—Prabhakar Deshmukh

(74) *Attorney, Agent, or Firm*—Rader, Fishman & Grauer PLLC

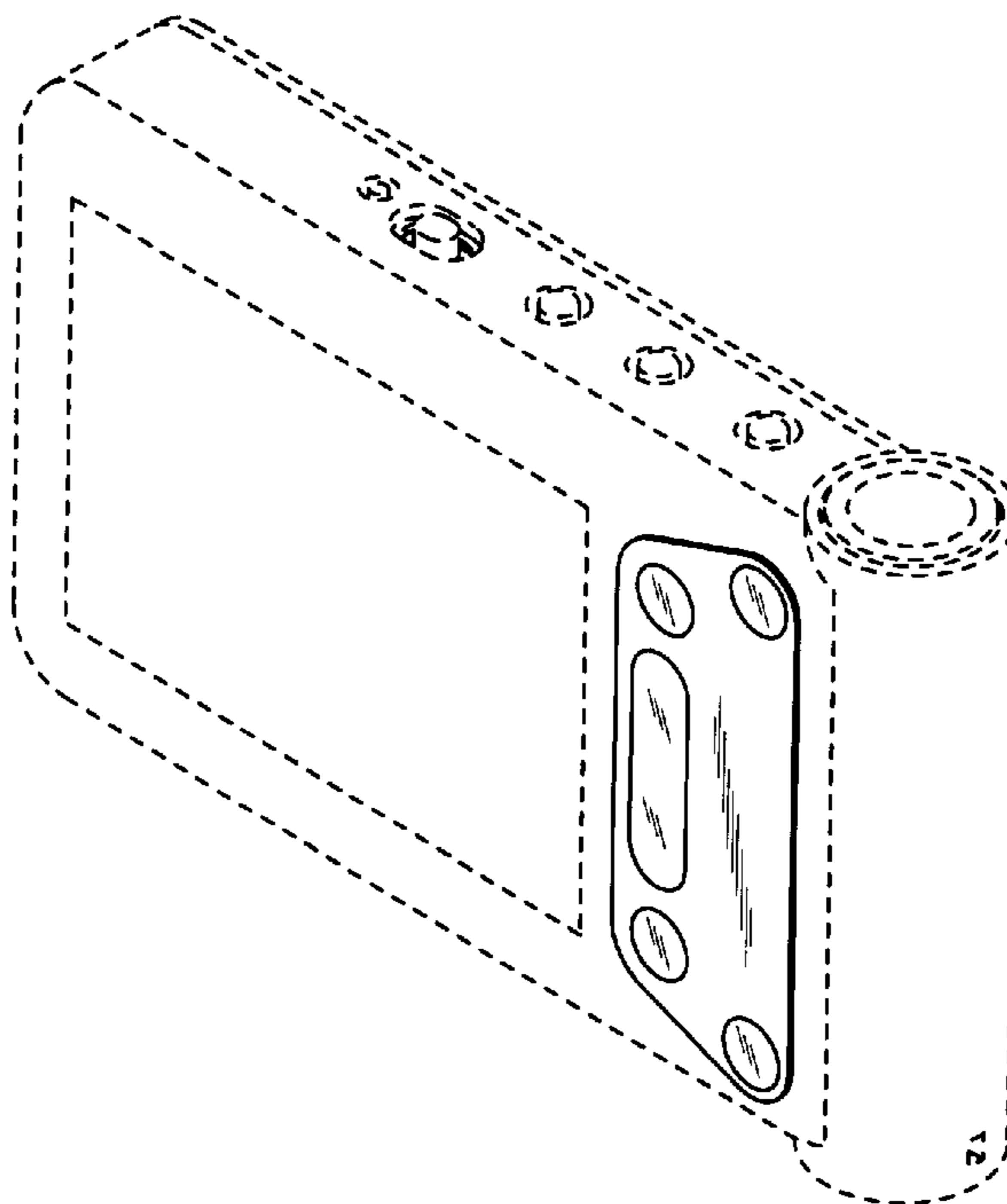
(57) **CLAIM**

The ornamental design for a combined audio and visual recorder/player and hard disc drive, as shown and described.

**DESCRIPTION**

FIG. 1 is a perspective view of a combined audio and visual recorder/player and hard disc drive showing my new design; FIG. 2 is a front elevational view thereof; FIG. 3 is a left side elevational view thereof; FIG. 4 is a right side elevational view thereof; FIG. 5 is a top plan view thereof; and, FIG. 6 is a bottom plan view thereof. Portions of FIGS. 1-6 that are shown as broken lines are for illustrative purpose only and form no part of the claimed design.

**1 Claim, 4 Drawing Sheets**



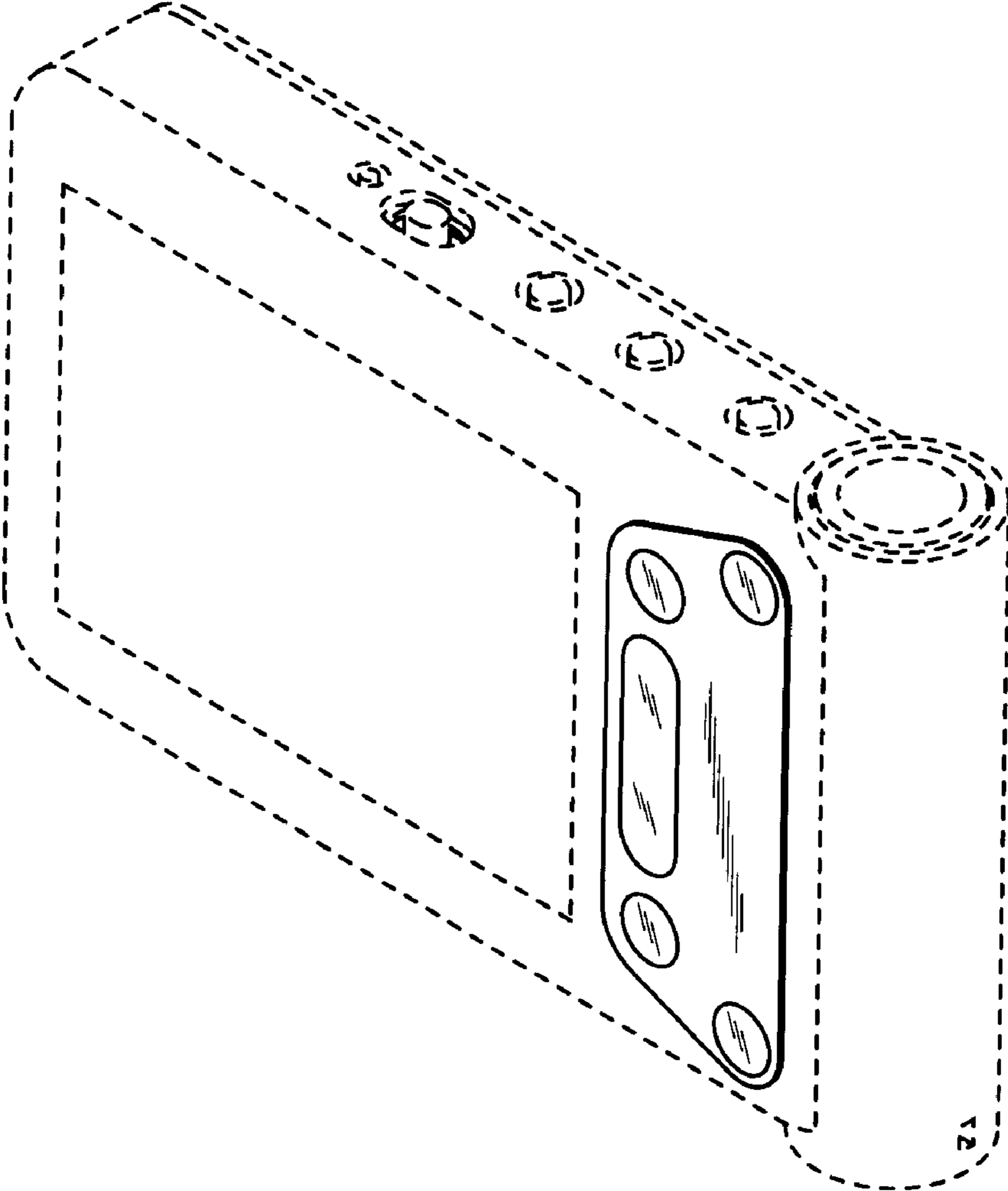


FIG. 1

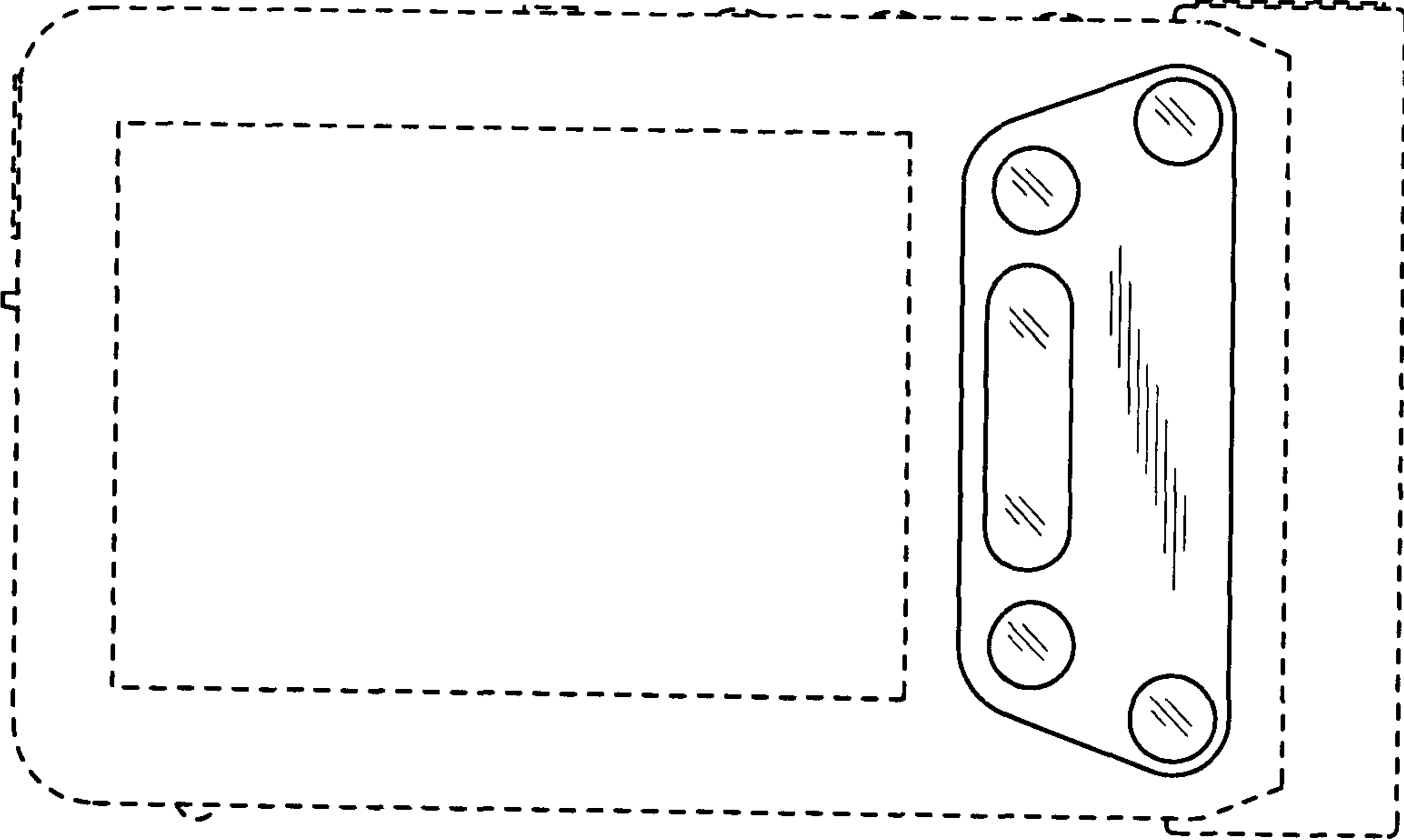
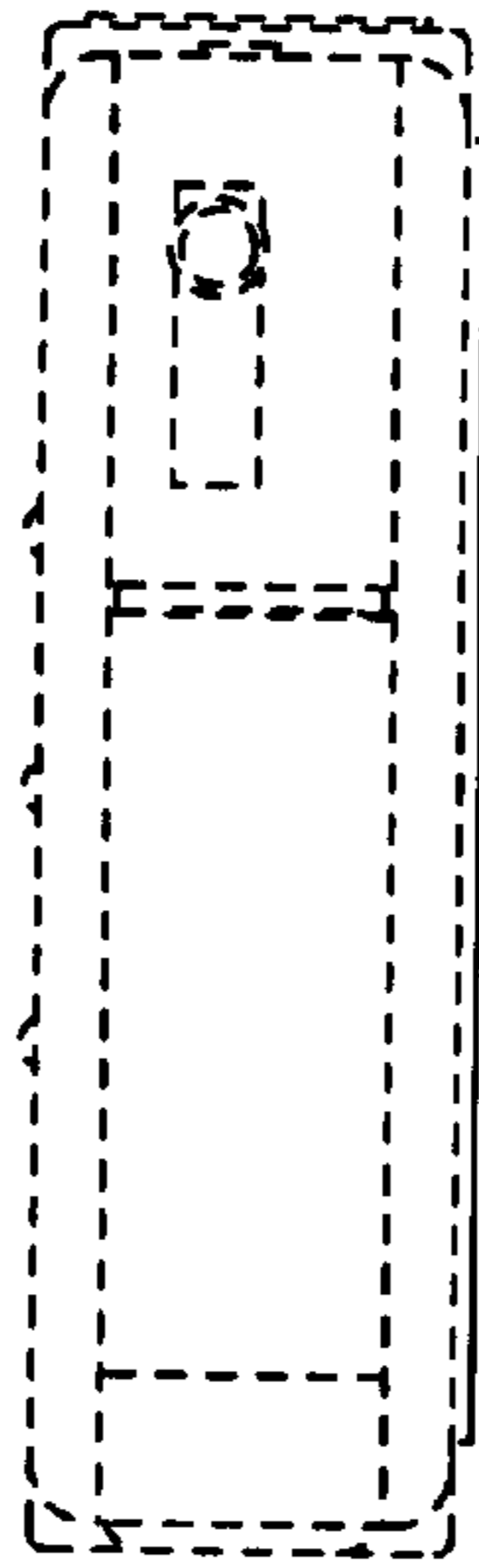
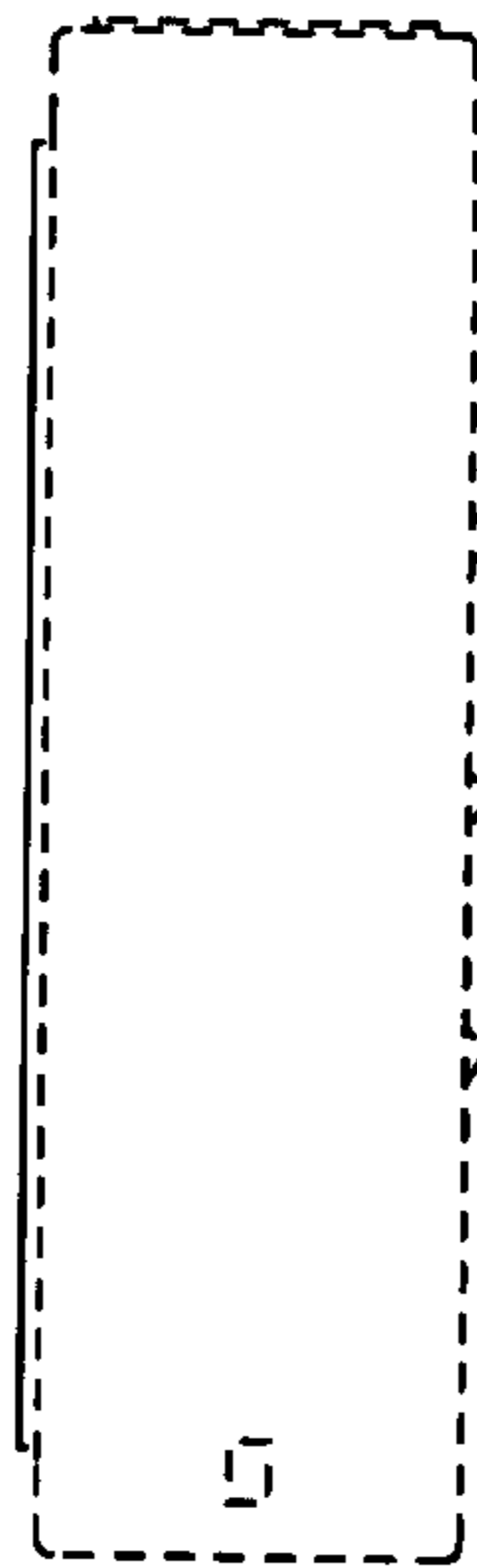


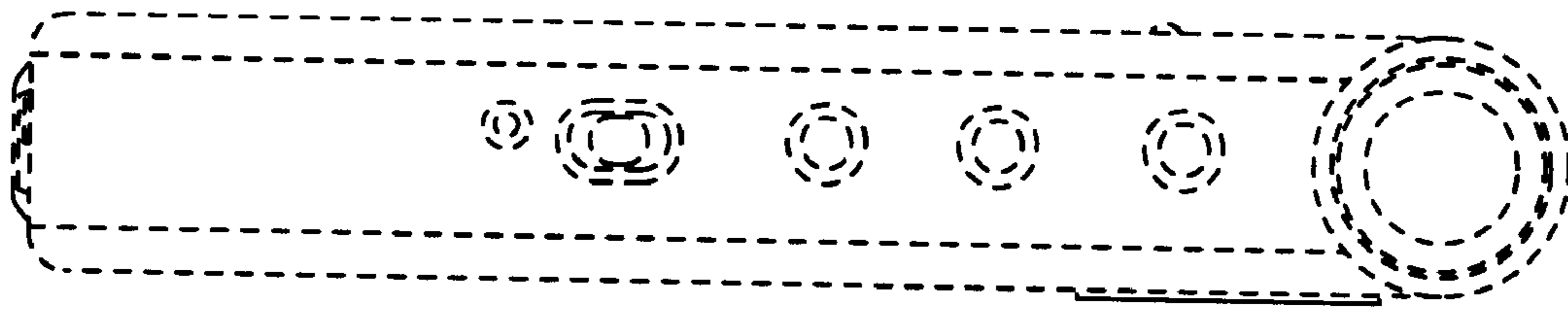
FIG. 2



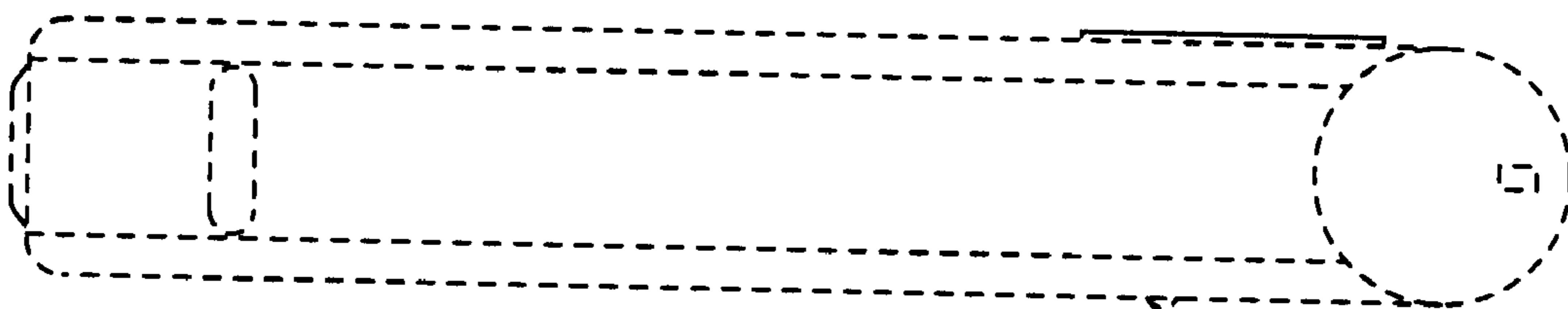
*FIG. 3*



*FIG. 4*



*FIG. 5*



*FIG. 6*