



US00D516570S

(12) **United States Design Patent**  
**Chen et al.**

(10) **Patent No.:** **US D516,570 S**  
(45) **Date of Patent:** **\*\* Mar. 7, 2006**

(54) **FRONT BEZEL FOR COMPUTER ENCLOSURE**

D439,254 S \* 3/2001 Zhao ..... D14/441  
D459,357 S \* 6/2002 Lo ..... D14/444

(75) Inventors: **Yun-Lung Chen**, Tu-Chen (TW); **Qun Wang**, Shenzhen (CN); **Jin-Feng Yao**, Shenzhen (CN); **Jian-Hua He**, Shenzhen (CN)

\* cited by examiner

*Primary Examiner*—Freda S. Nunn  
(74) *Attorney, Agent, or Firm*—Wei Te Chung

(73) Assignee: **Hon Hai Precision Ind. Co., Ltd.**, Taipei Hsien (TW)

(57) **CLAIM**

The ornamental design for a front bezel for computer enclosure, as shown and described.

(\*\*) Term: **14 Years**

**DESCRIPTION**

(21) Appl. No.: **29/220,425**

FIG. 1 is a perspective view of a front bezel for computer enclosure showing our new design mounted on a computer enclosure;

(22) Filed: **Dec. 29, 2004**

(51) **LOC (8) Cl.** ..... **14-02**

(52) **U.S. Cl.** ..... **D14/444**

(58) **Field of Classification Search** ..... D14/441-446;  
D13/162, 184, 199; 312/223.2; 360/680-686,  
360/690-696

FIG. 2 is a front elevational view thereof;  
FIG. 3 is a rear elevational view thereof;  
FIG. 4 is a left side elevational view thereof;  
FIG. 5 is a right side elevational view thereof;  
FIG. 6 is a top plan view thereof; and,  
FIG. 7 is a bottom plan view thereof.

See application file for complete search history.

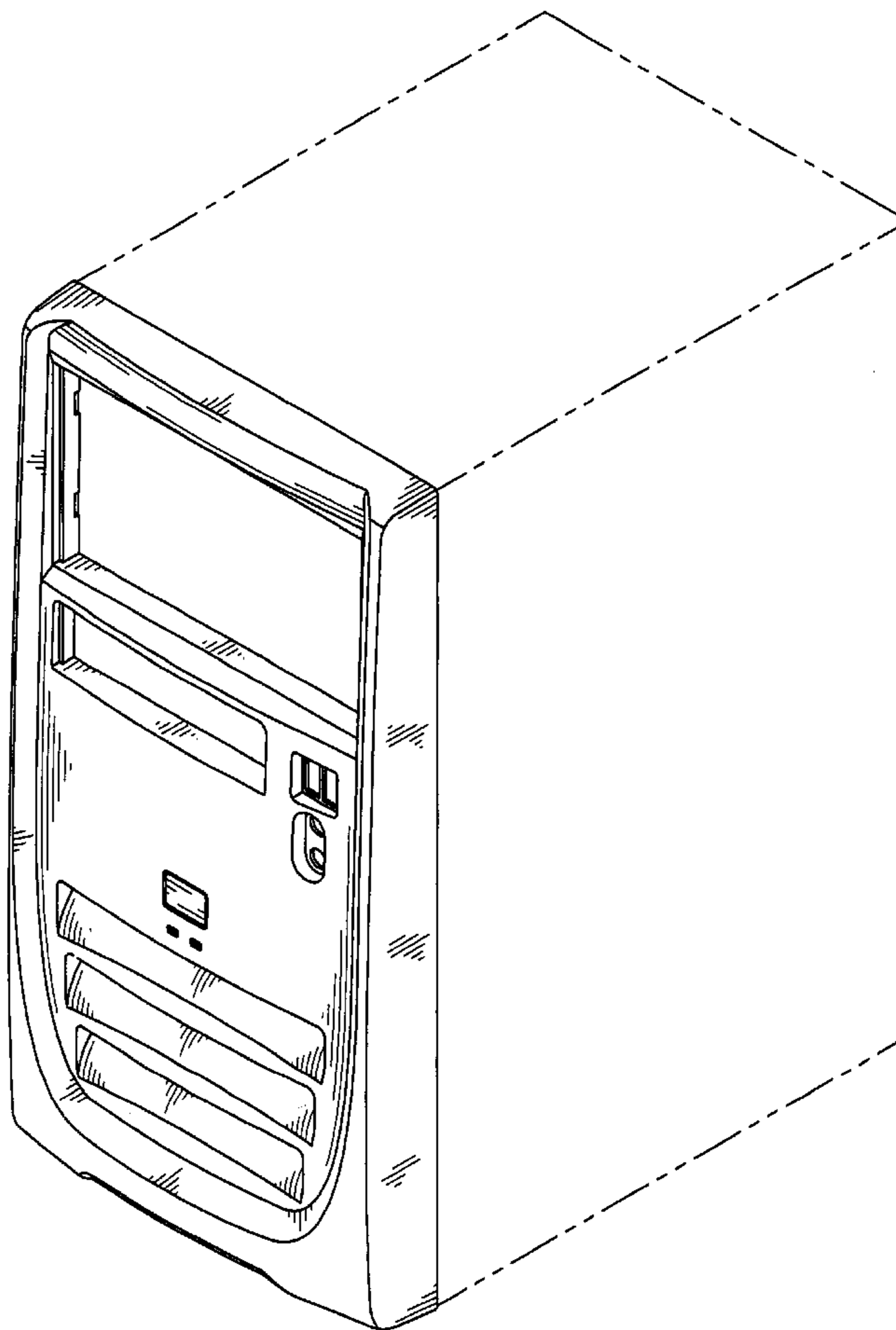
The broken line showing of a computer enclosure in the views is for illustrative environmental purposes only and forms no part of the claimed design.

(56) **References Cited**

**U.S. PATENT DOCUMENTS**

D431,825 S \* 10/2000 Jean et al. .... D14/444

**1 Claim, 7 Drawing Sheets**



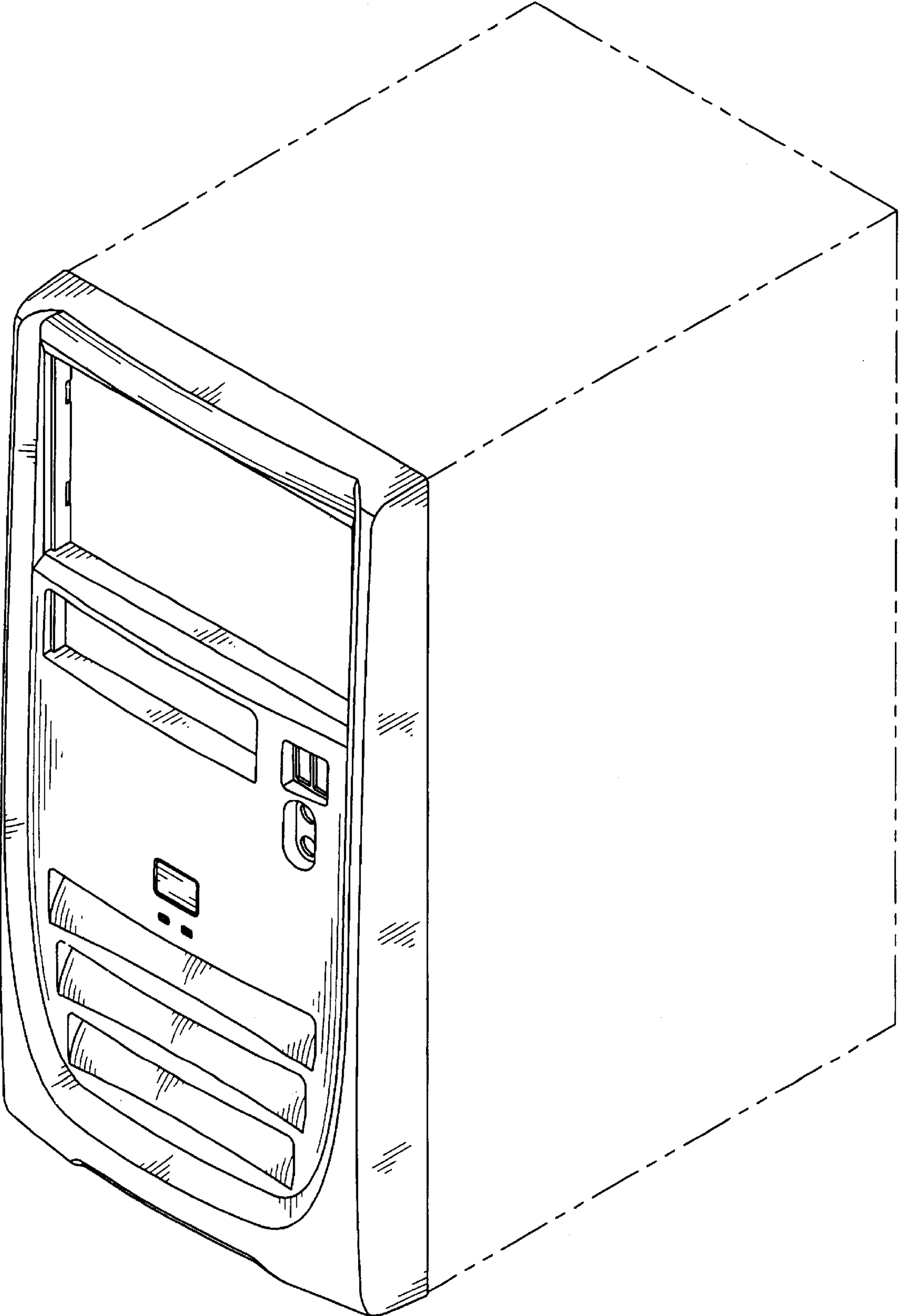


FIG. 1

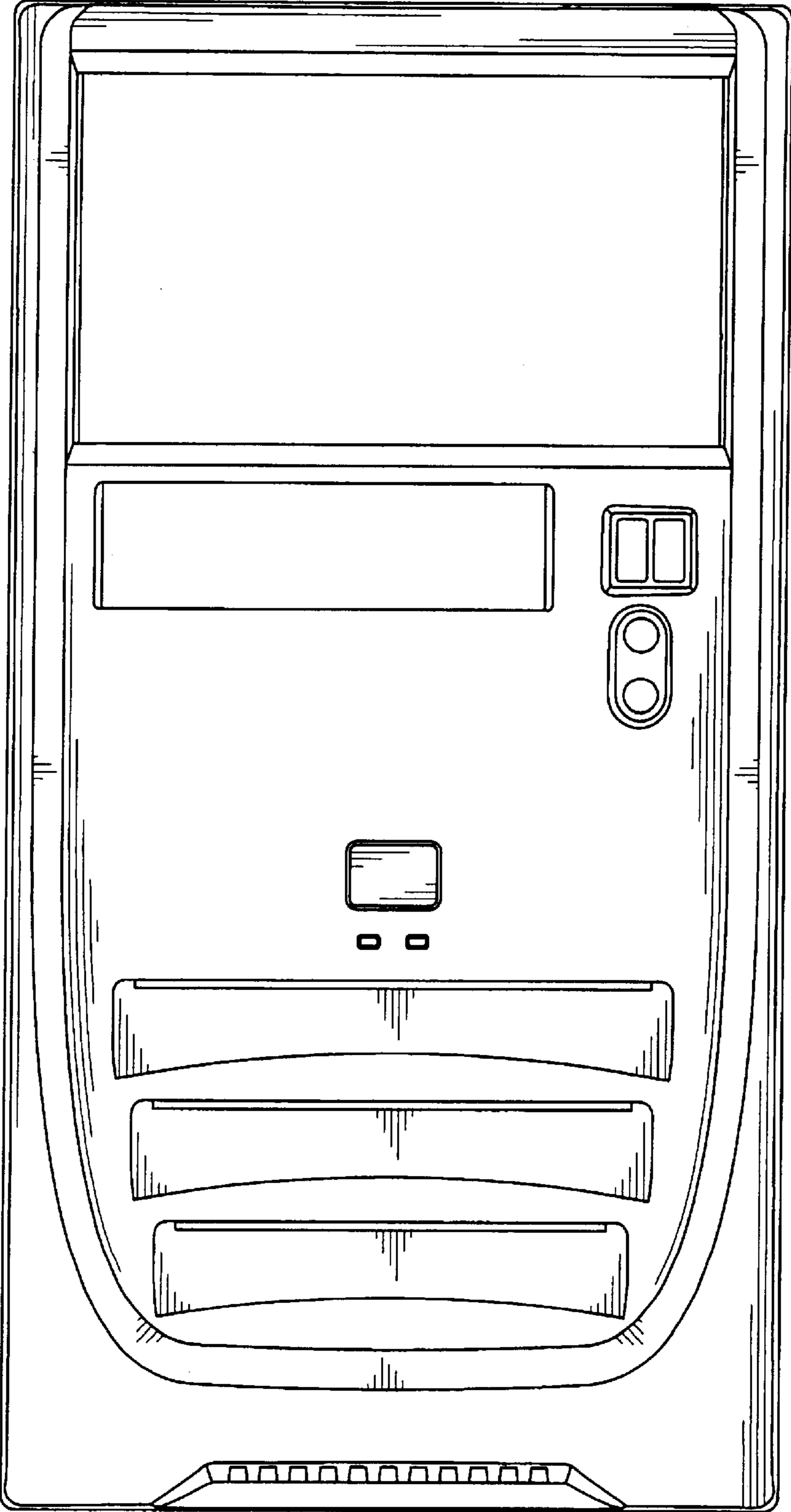


FIG. 2

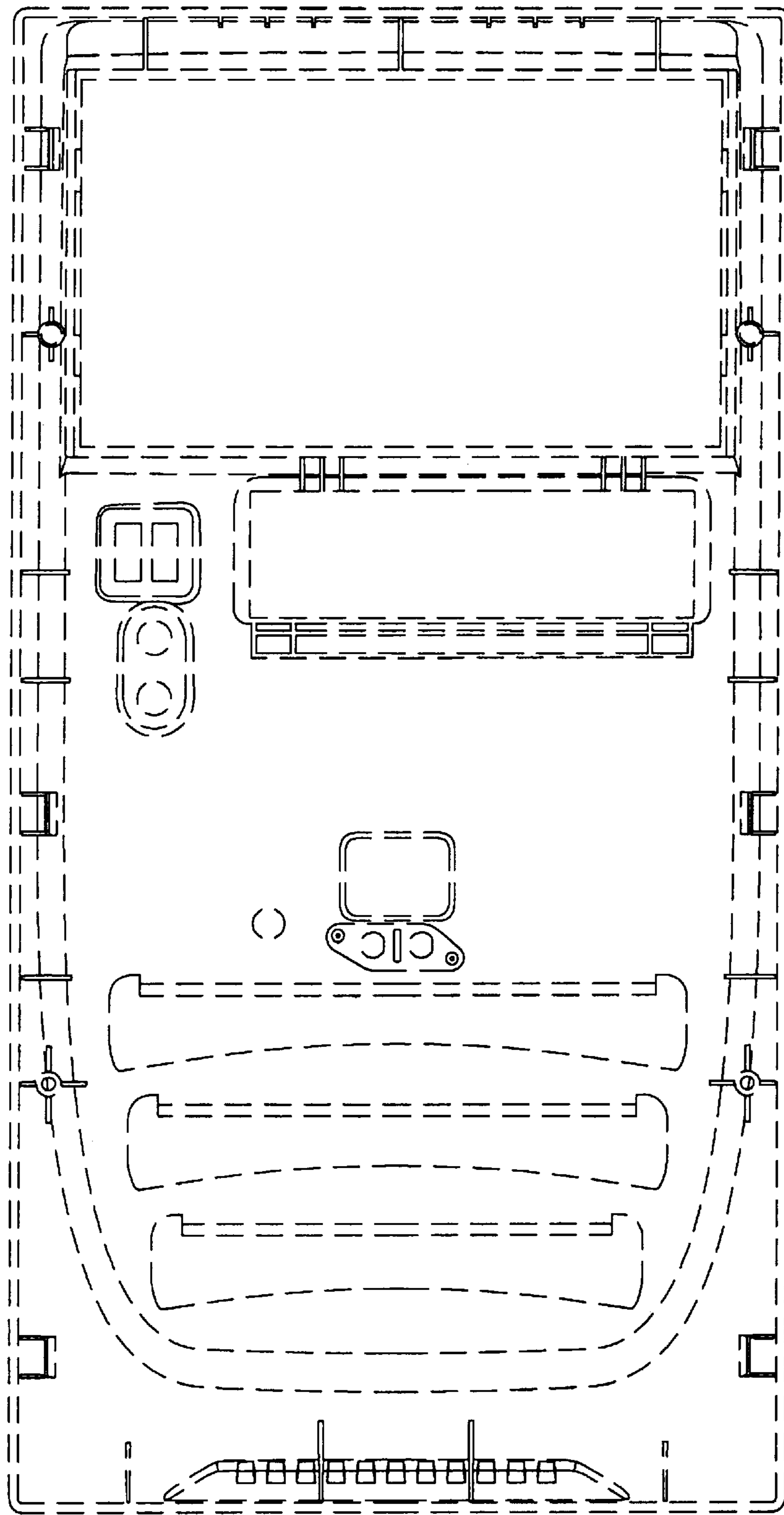


FIG. 3

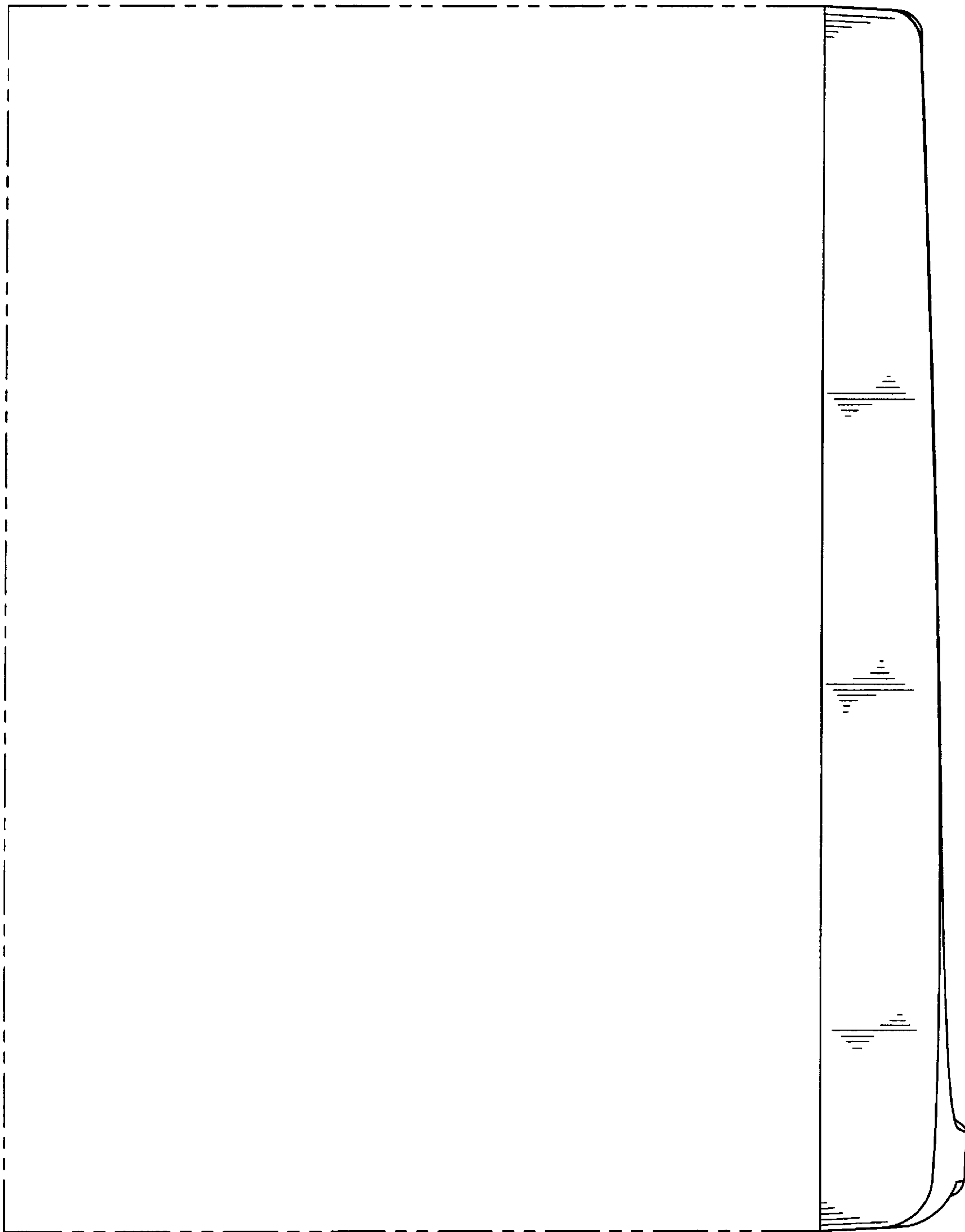


FIG. 4

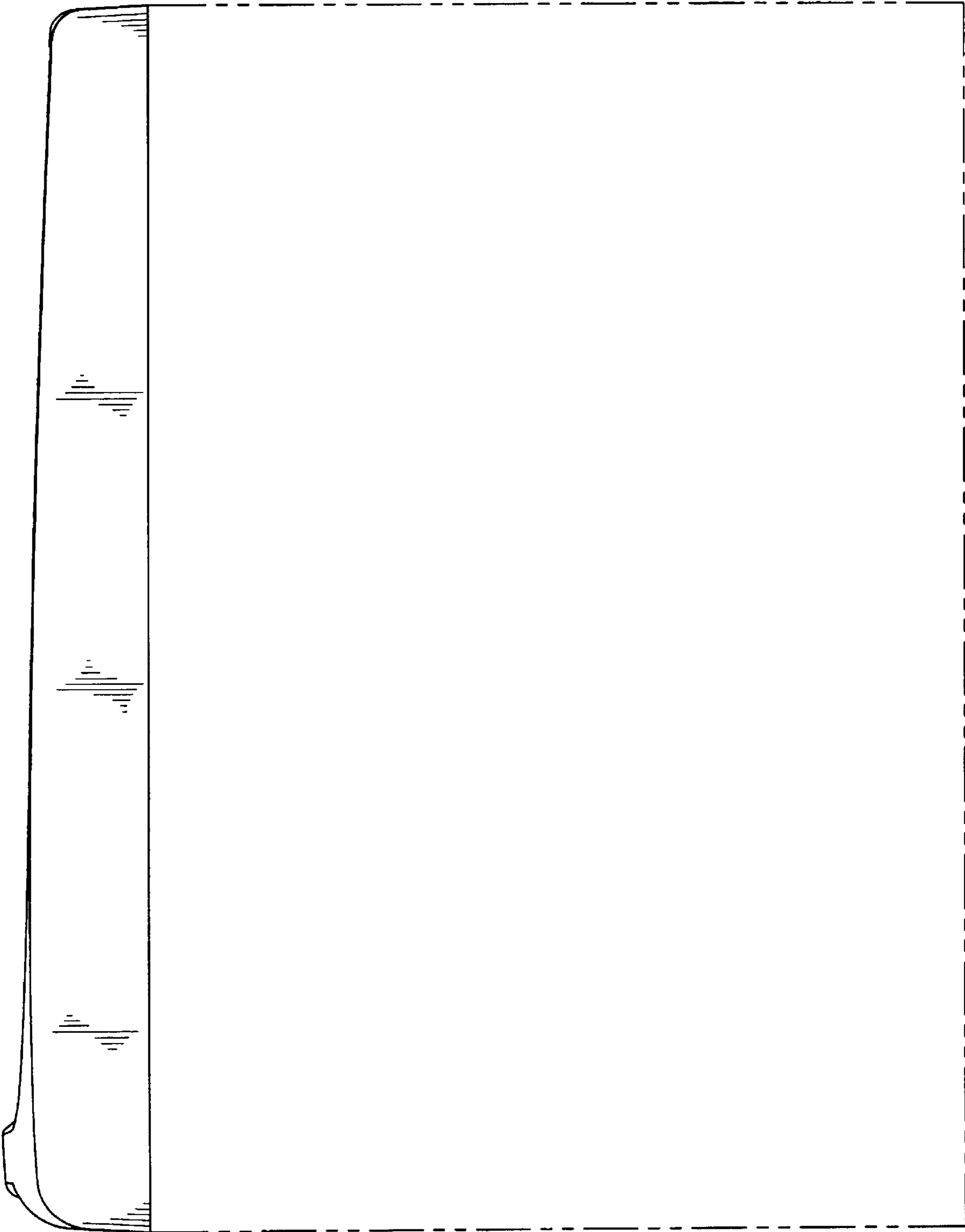


FIG. 5

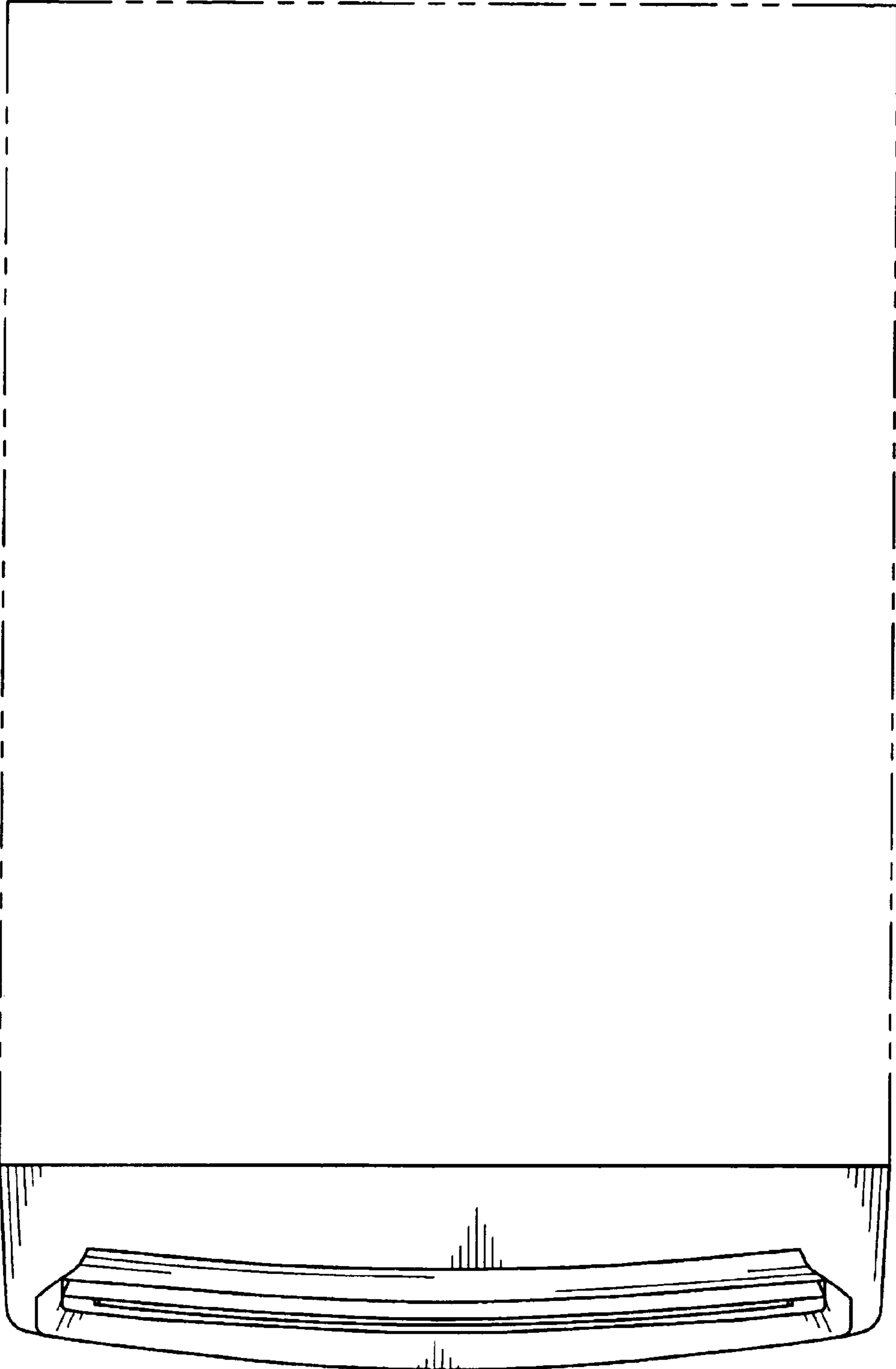


FIG. 6

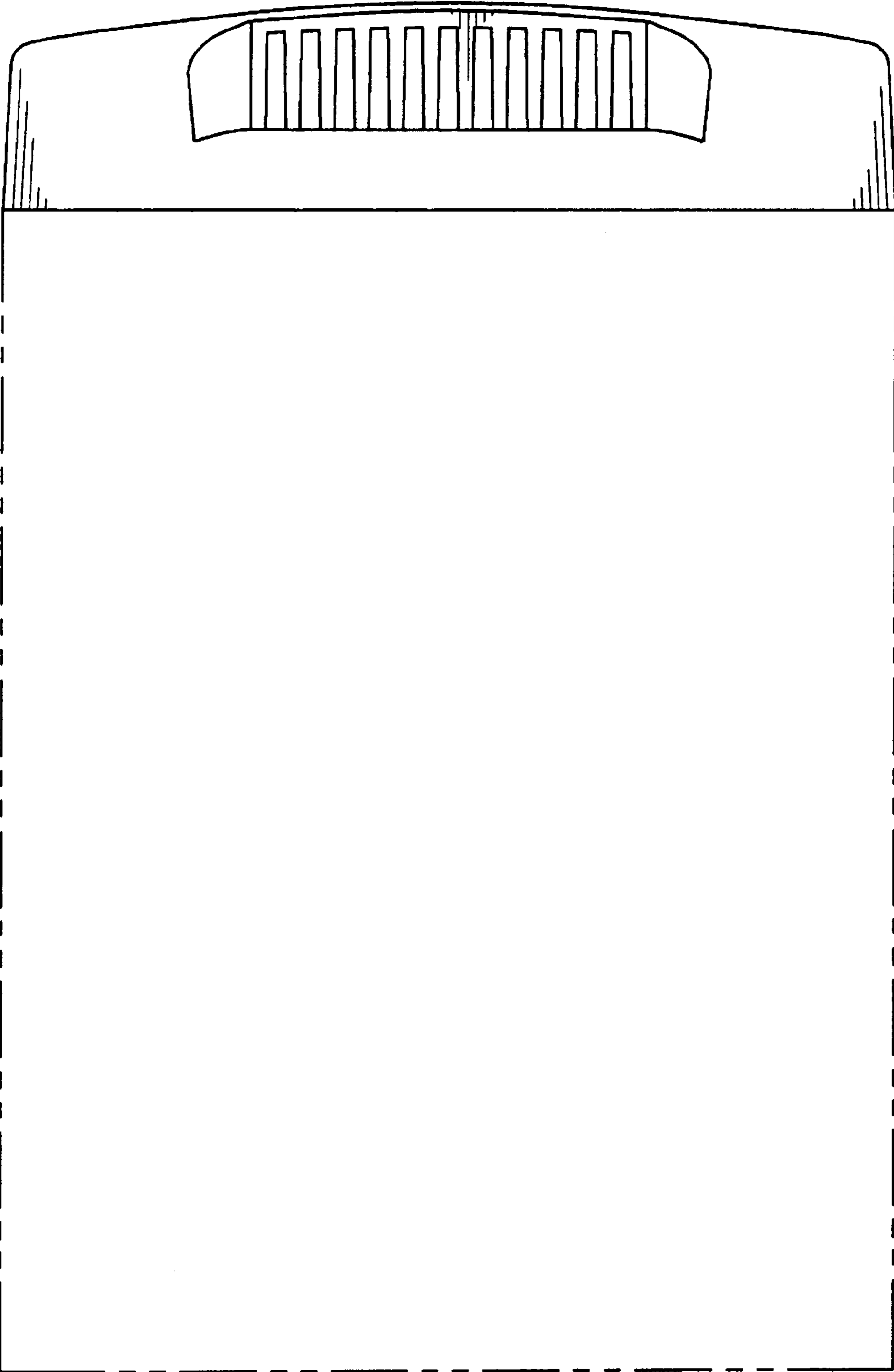


FIG. 7