



US00D516563S

(12) **United States Design Patent**
Hart et al.

(10) **Patent No.: US D516,563 S**
(45) **Date of Patent: ** *Mar. 7, 2006**

(54) **DATA CARD**

(75) Inventors: **Allison M. Hart**, Charlotte, NC (US);
Rebecka D. Keelan Nelli, Charlotte,
NC (US); **R. Bruce Montgomery, Jr.**,
Charlotte, NC (US)

(73) Assignee: **Bank of America Corporation**,
Charlotte, NC (US)

(*) Notice: This patent is subject to a terminal dis-
claimer.

(**) Term: **14 Years**

(21) Appl. No.: **29/196,616**

(22) Filed: **Dec. 31, 2003**

(51) **LOC (8) Cl. 14-02**

(52) **U.S. Cl. D14/436**

(58) **Field of Classification Search** D14/432-38;
361/736-7, 686; D13/182, 184; 40/124.01;
235/487-95, 441-3, 375; 283/900, 904; 257/378-9;
174/52.1; 439/135, 140, 76.1; D19/9, 10
See application file for complete search history.

(56) **References Cited**

U.S. PATENT DOCUMENTS

4,683,371	A	*	7/1987	Drexler	235/487
4,701,600	A	*	10/1987	Beech et al.	235/375
4,711,347	A	*	12/1987	Drexler et al.	206/38
4,812,633	A	*	3/1989	Vogelgesang et al.	235/487
4,814,594	A	*	3/1989	Drexler	235/487
D406,861	S	*	3/1999	Leedy, Jr.	D19/10
6,012,636	A	*	1/2000	Smith	235/380
D434,041	S	*	11/2000	Burke	D14/436
6,196,594	B1	*	3/2001	Keller	283/82
D453,160	S		1/2002	Pentz et al.		
D453,161	S		1/2002	Pentz		
D453,336	S	*	2/2002	Pentz et al.	D14/436
D453,337	S	*	2/2002	Pentz et al.	D14/436
D453,338	S	*	2/2002	Pentz et al.	D14/436
D453,339	S	*	2/2002	Pentz	D14/436
D453,516	S	*	2/2002	Pentz	D14/436
D453,517	S	*	2/2002	Pentz	D14/436

D454,910	S	*	3/2002	Smith et al.	D19/9
D456,814	S	*	5/2002	Pentz	D14/436
D457,556	S	*	5/2002	Hochschild		
D460,454	S	*	7/2002	Pentz	D14/436
D460,455	S	*	7/2002	Pentz	D14/436
D461,477	S	*	8/2002	Pentz	D14/436
D462,714	S	*	9/2002	Creighton	D19/9

(Continued)

Primary Examiner—M. H. Tung

(74) *Attorney, Agent, or Firm*—Moore & Van Allen, PLLC;
Michael G. Johnston

(57) **CLAIM**

The ornamental design for a data card, as shown and
described.

DESCRIPTION

FIG. 1 is a perspective view of a data card showing our new
design.

FIG. 2 is a top plan view of the data card as shown in FIG.
1 showing our new design, the bottom plan view being a
mirror image.

FIG. 3 is a front elevational view of the data card as shown
in FIG. 1 showing our new design.

FIG. 4 is a left side view of the data card as shown in FIG.
1 showing our new design, the right side view being a mirror
image.

FIG. 5 is a rear elevational view of the data card as shown
in FIG. 1 showing our new design.

FIG. 6 is a perspective view of another embodiment of a data
card showing our new design.

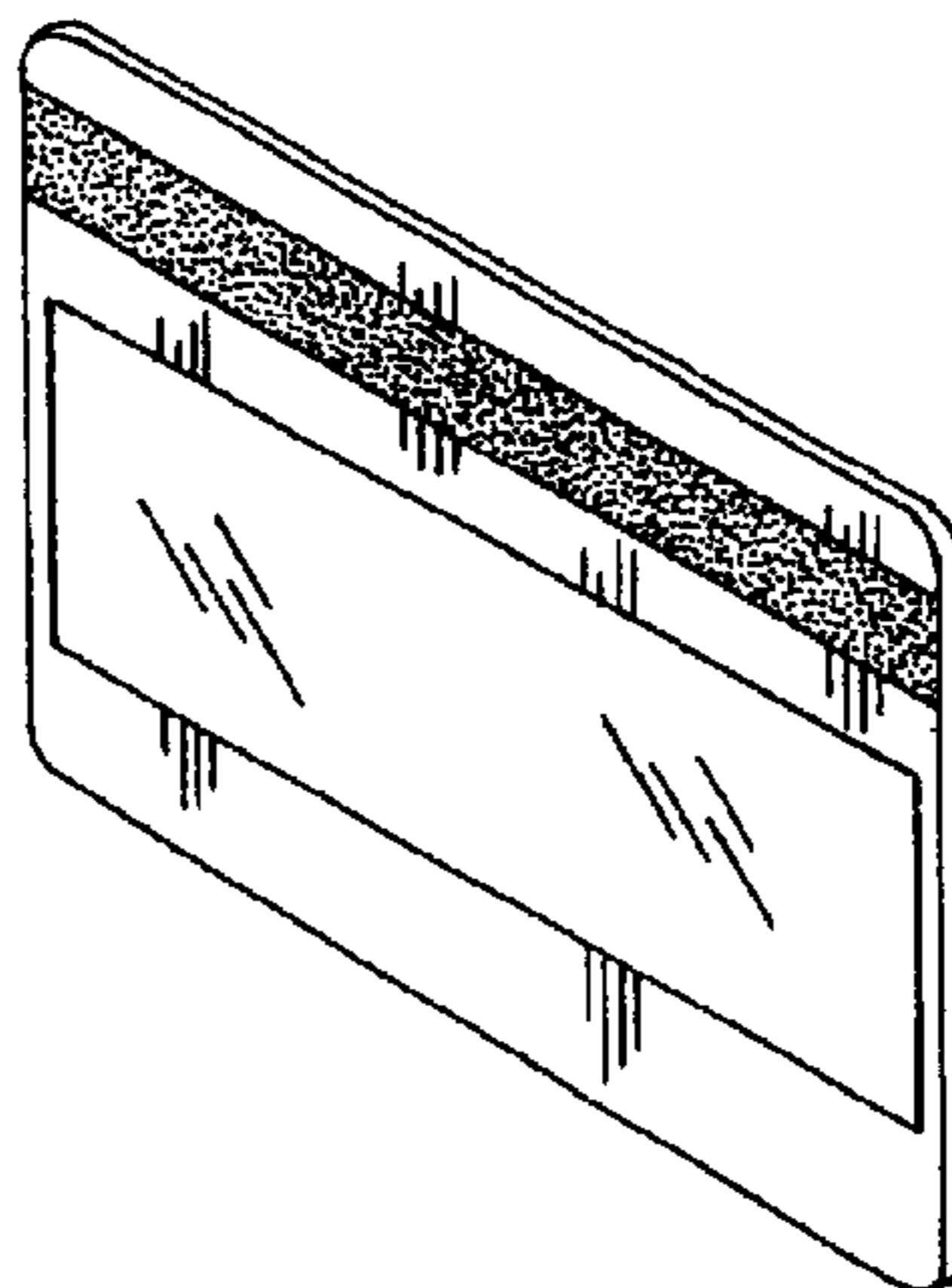
FIG. 7 is a top plan view of the data card as shown in FIG.
6 showing our new design, the bottom plan view being a
mirror image.

FIG. 8 is a front elevational view of the data card as shown
in FIG. 6 showing our new design.

FIG. 9 is a left side view of the data card as shown in FIG.
6 showing our new design, the right side view being a mirror
image; and,

FIG. 10 is a rear elevational view of the data card as shown
in FIG. 6 showing our new design.

1 Claim, 2 Drawing Sheets



US D516,563 S

Page 2

U.S. PATENT DOCUMENTS

D462,965 S	*	9/2002	Pentz	D14/436	D490,103 S	*	5/2004	Rangel et al.	D19/10
D462,966 S		9/2002	Pentz et al.			D493,195 S	*	7/2004	Creighton	D19/9
D467,247 S		12/2002	Pentz			2002/0185543 A1	*	12/2002	Pentz et al.	235/493
D469,777 S	*	2/2003	Burke	D14/436	2003/0071120 A1	*	4/2003	Orii	235/449
D478,622 S	*	8/2003	Grayson	D19/10	2003/0127522 A1	*	7/2003	McKinney et al.	235/487
D481,068 S	*	10/2003	Blossom et al.	D19/10	2003/0222153 A1	*	12/2003	Pentz et al.	235/493
D487,480 S	*	3/2004	Nelms et al.	D19/9						

* cited by examiner

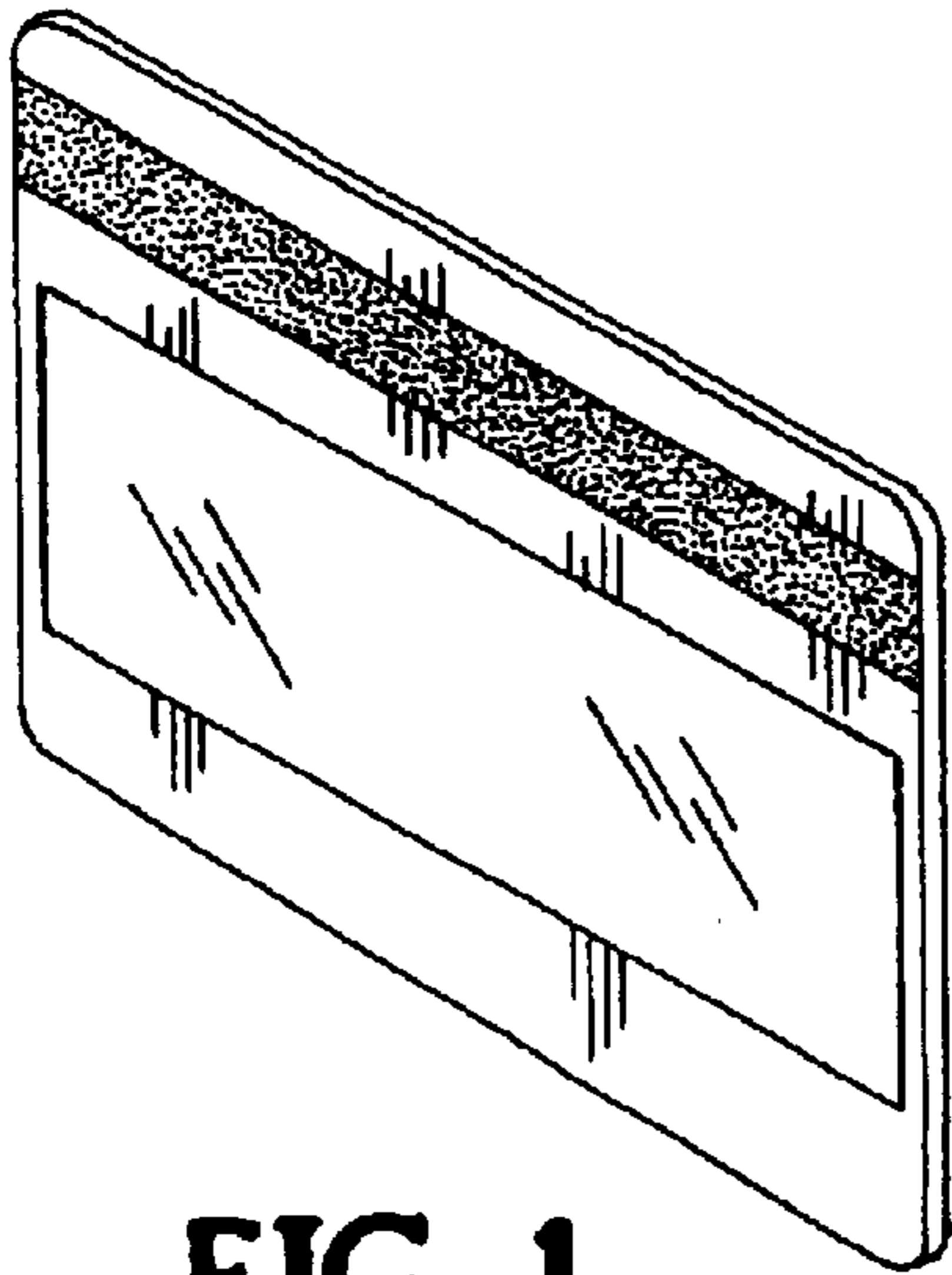


FIG. 1

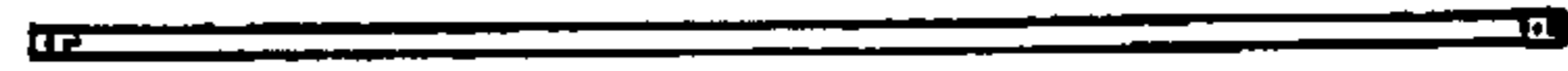


FIG. 2

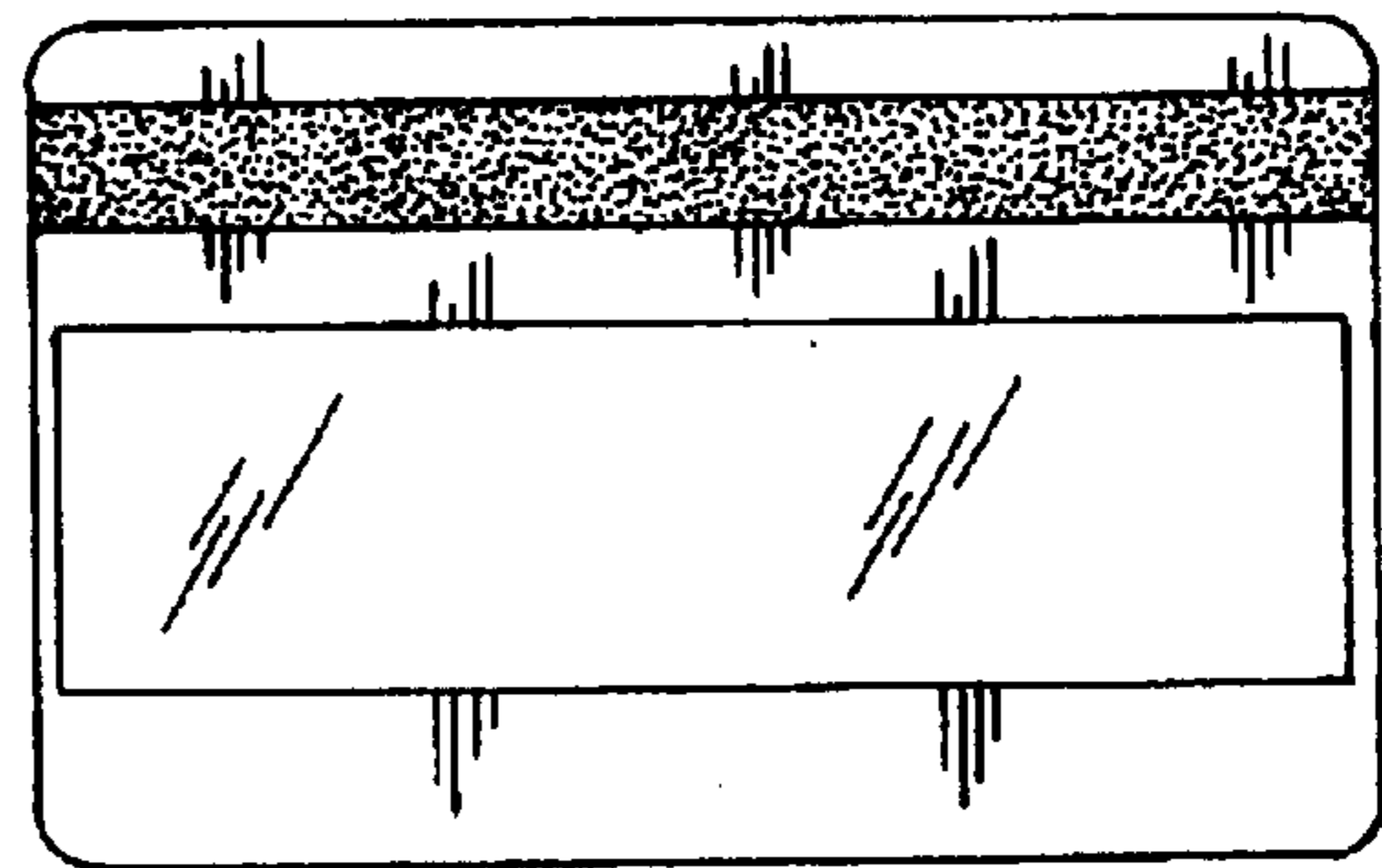


FIG. 3



FIG. 4

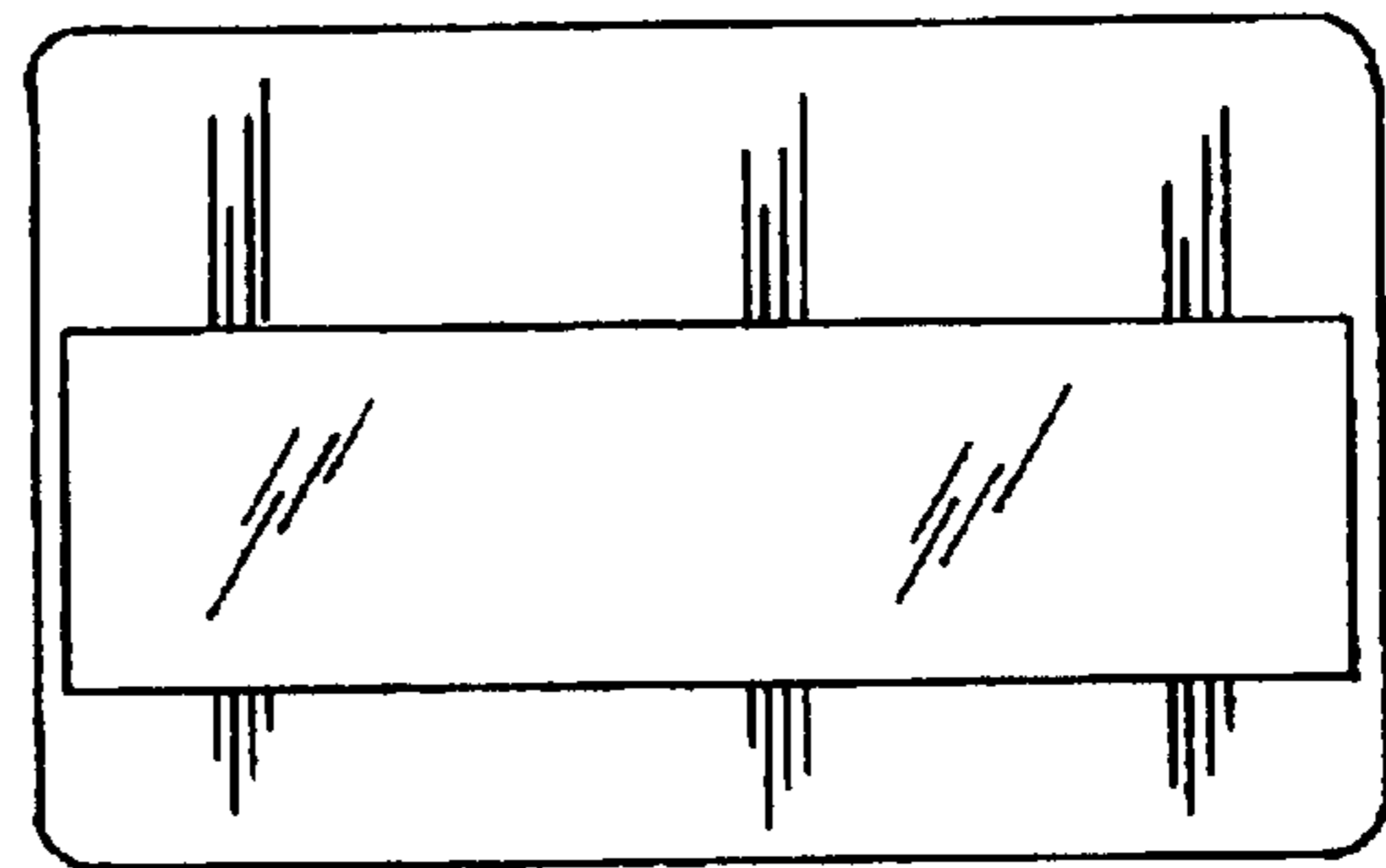


FIG. 5

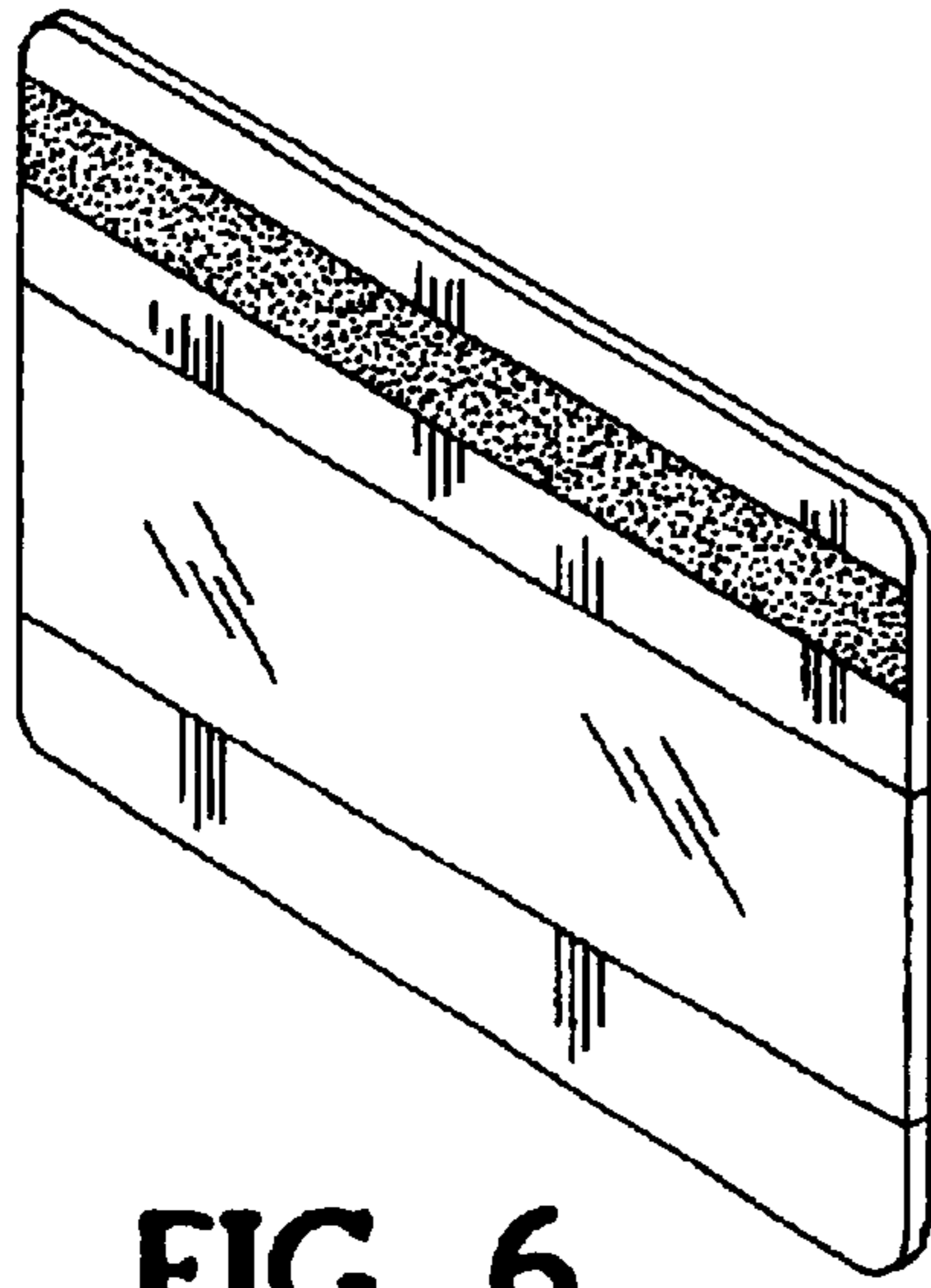


FIG. 6

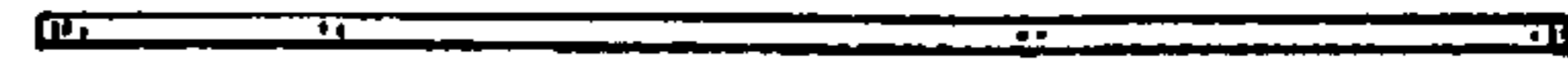


FIG. 7

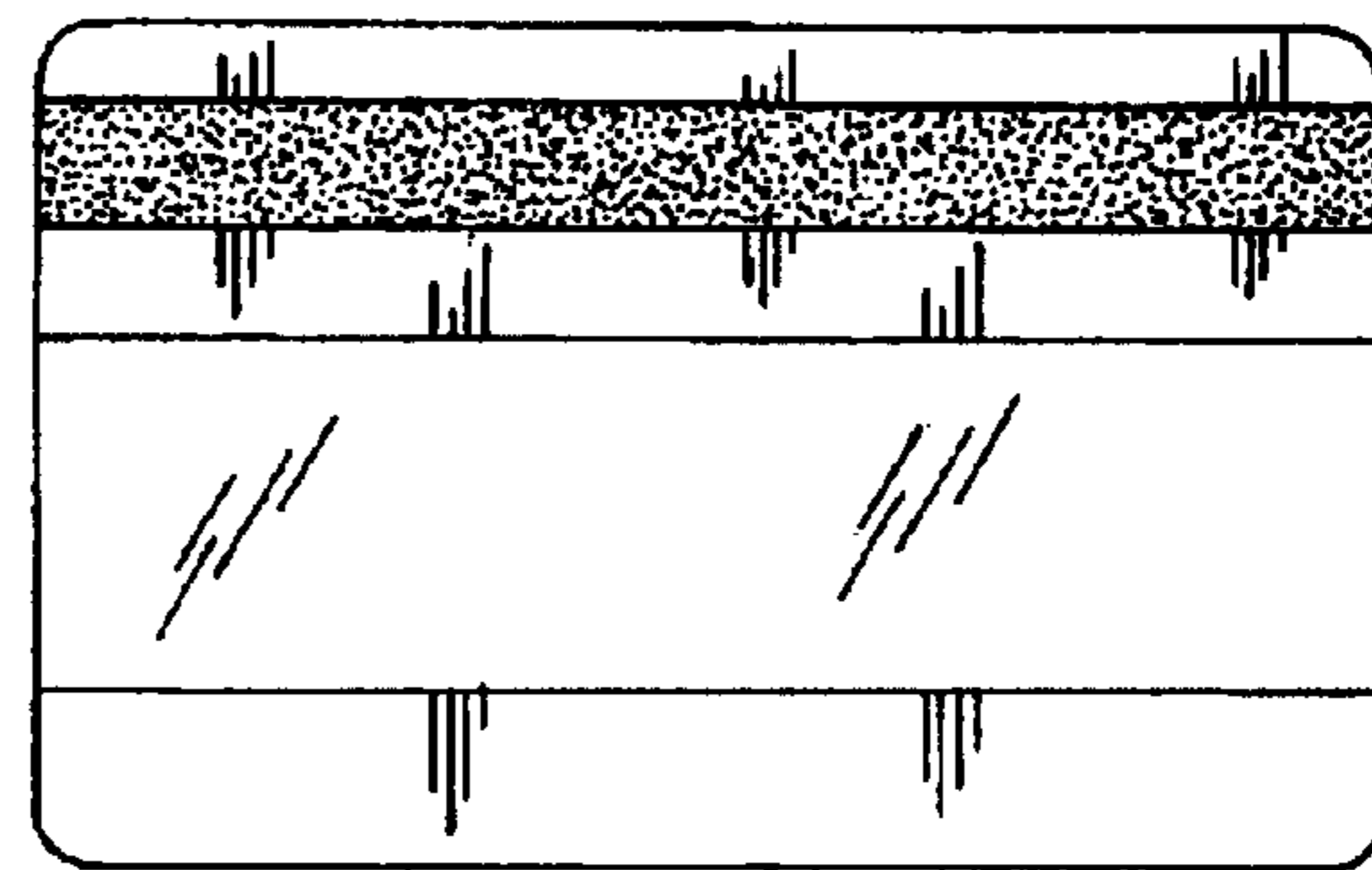


FIG. 8



FIG. 9

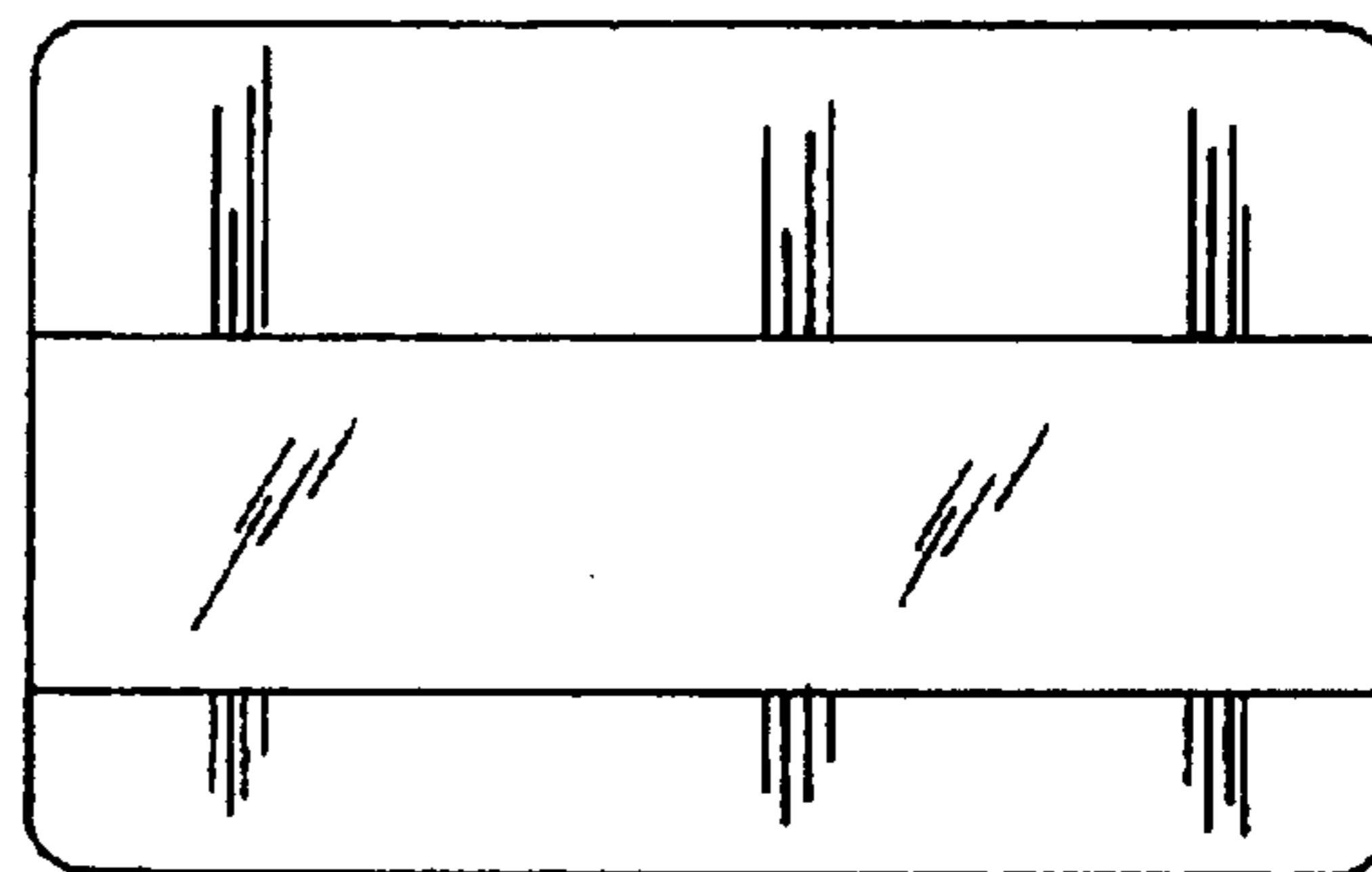


FIG. 10