



US00D516560S

(12) **United States Design Patent**
Landau

(10) **Patent No.:** **US D516,560 S**
(45) **Date of Patent:** **** Mar. 7, 2006**

(54) **COMPUTER MEMORY DEVICE**
(75) **Inventor:** **Steven A. Landau, Voorhees, NJ (US)**
(73) **Assignee:** **KASL Enterprises, Inc., Bala Cynwyd, PA (US)**
(**) **Term:** **14 Years**

(21) **Appl. No.:** **29/215,449**
(22) **Filed:** **Oct. 19, 2004**

(51) **LOC (8) Cl.** **14-02**
(52) **U.S. Cl.** **D14/432**
(58) **Field of Classification Search** D14/432,
D14/435, 436, 438; D21/333, 324, 328, 713,
D21/707, 709, 785; 463/43-5; 361/737; 473/125,
473/127, 128
See application file for complete search history.

(56) **References Cited**

U.S. PATENT DOCUMENTS

3,924,939 A * 12/1975 Scheminske et al. 352/34
D275,095 S * 8/1984 Fang D14/435
4,613,137 A * 9/1986 Ruckert 473/125
D340,077 S * 10/1993 Turner D21/707
D408,378 S * 4/1999 Tyler et al. D14/438
D408,803 S * 4/1999 Tyler et al. D14/436
D429,728 S * 8/2000 Hays D14/436

D430,569 S * 9/2000 Hays D14/436
D456,813 S * 5/2002 Hays D14/436
D478,087 S * 8/2003 Aldridge D14/433
D500,302 S * 12/2004 Deguchi D14/167
D504,434 S * 4/2005 Katayanagi D14/436

* cited by examiner

Primary Examiner—M. H. Tung

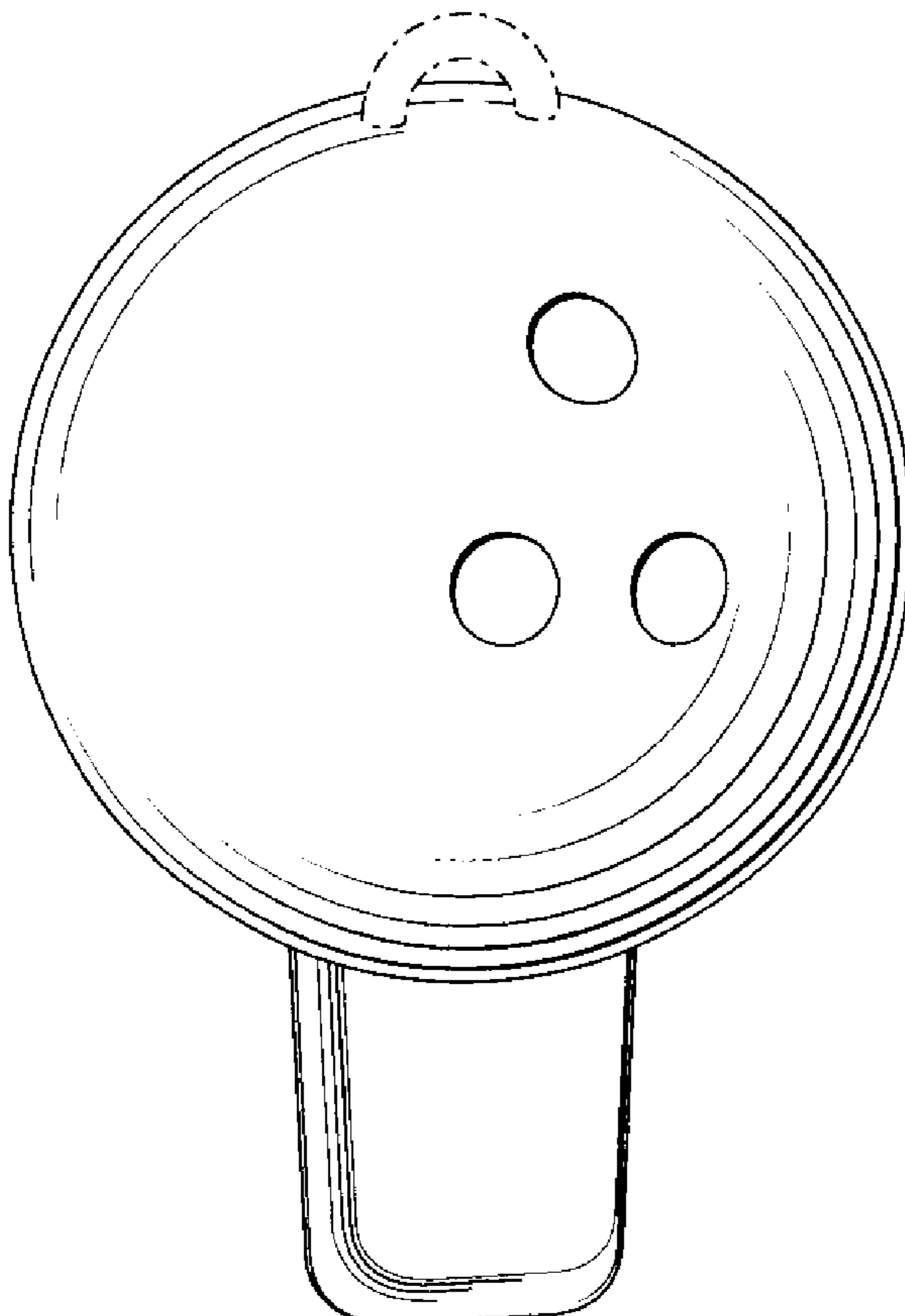
(57) **CLAIM**

The ornamental design for a computer memory device, as shown and described.

DESCRIPTION

FIG. 1 is a side perspective view of a computer memory device of the present invention;
FIG. 2 is a front view of the computer memory device of FIG. 1, the rear view is identical except for the lack of the three circles;
FIG. 3 is a side view of the computer memory device of FIG. 1, the opposite side is a mirror image;
FIG. 4 is a top view of the computer memory device of FIG. 1; and,
FIG. 5 is a bottom view of the computer memory device of FIG. 1.
The broken line drawing in FIGS. 1-4 is for illustrative purposes only and forms no part of the claimed design.

1 Claim, 3 Drawing Sheets



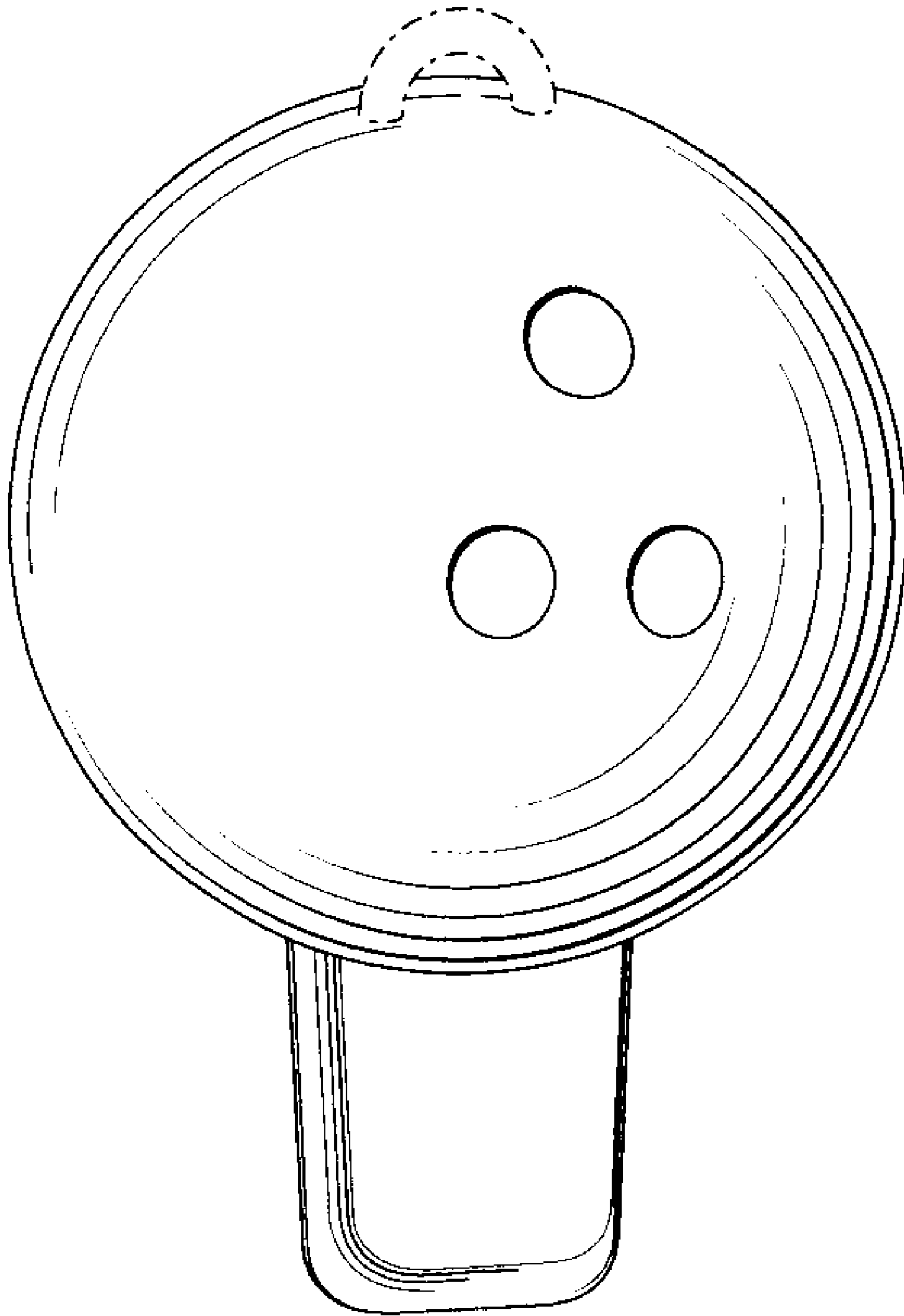


Fig. 1

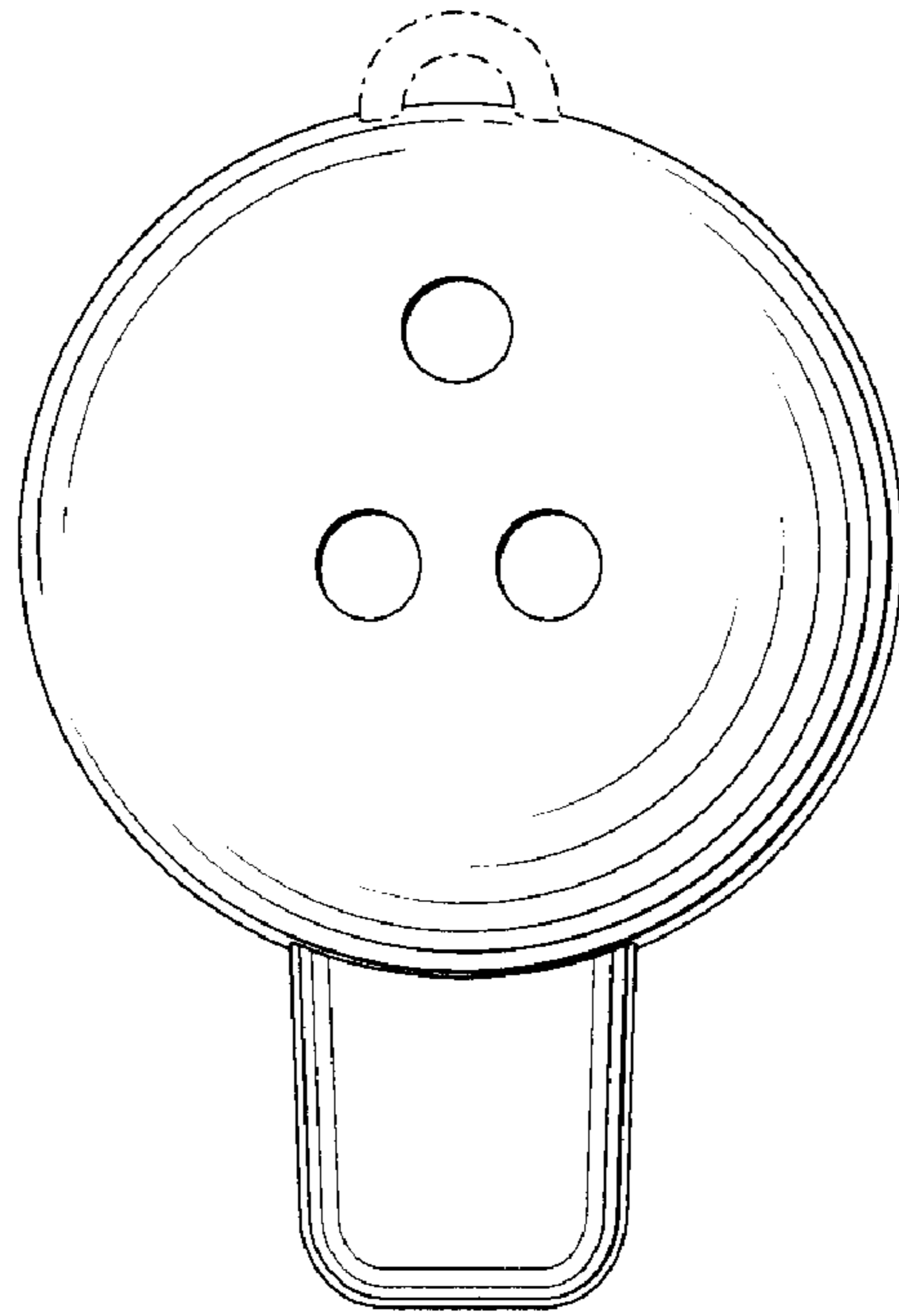


Fig. 2

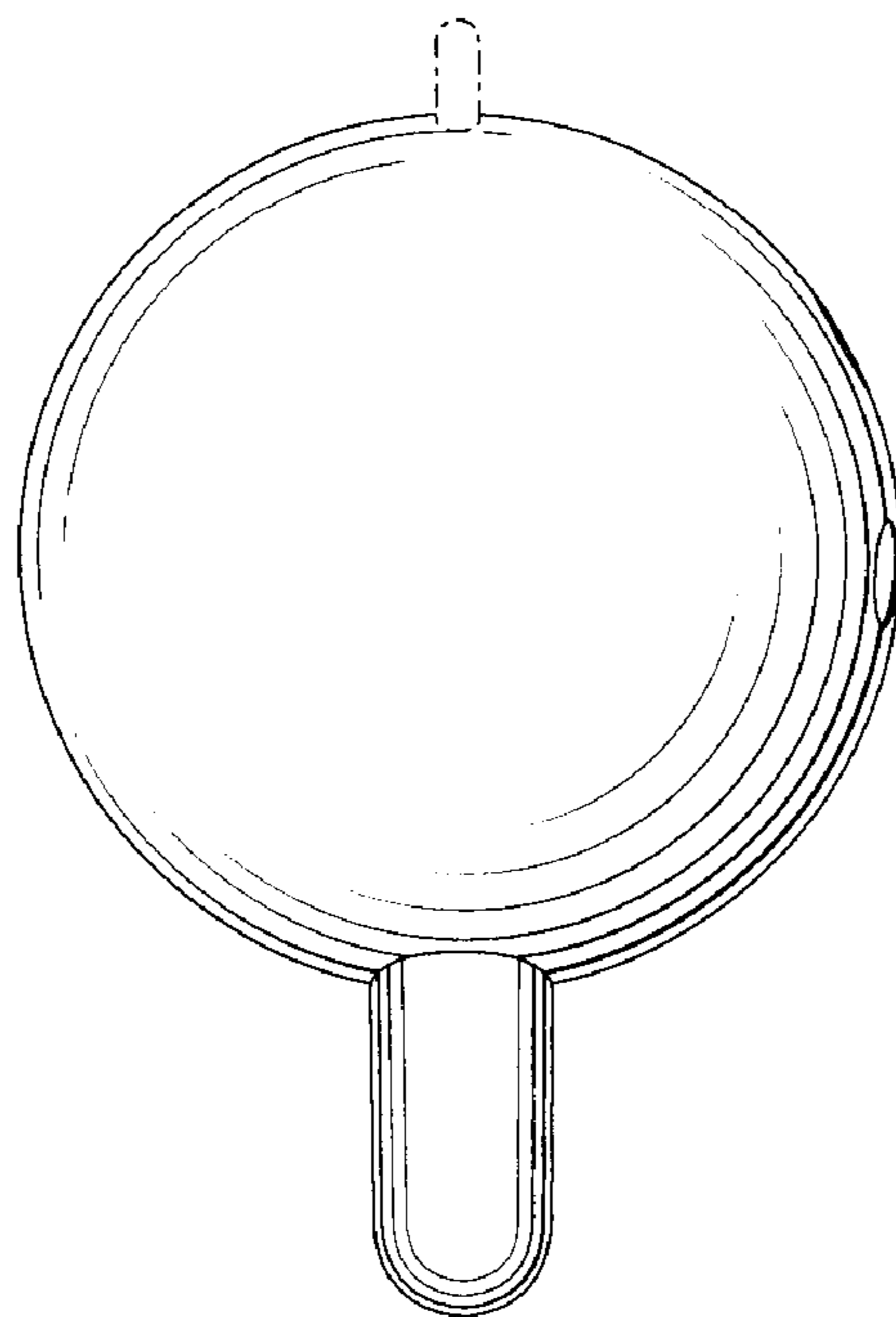


Fig. 3

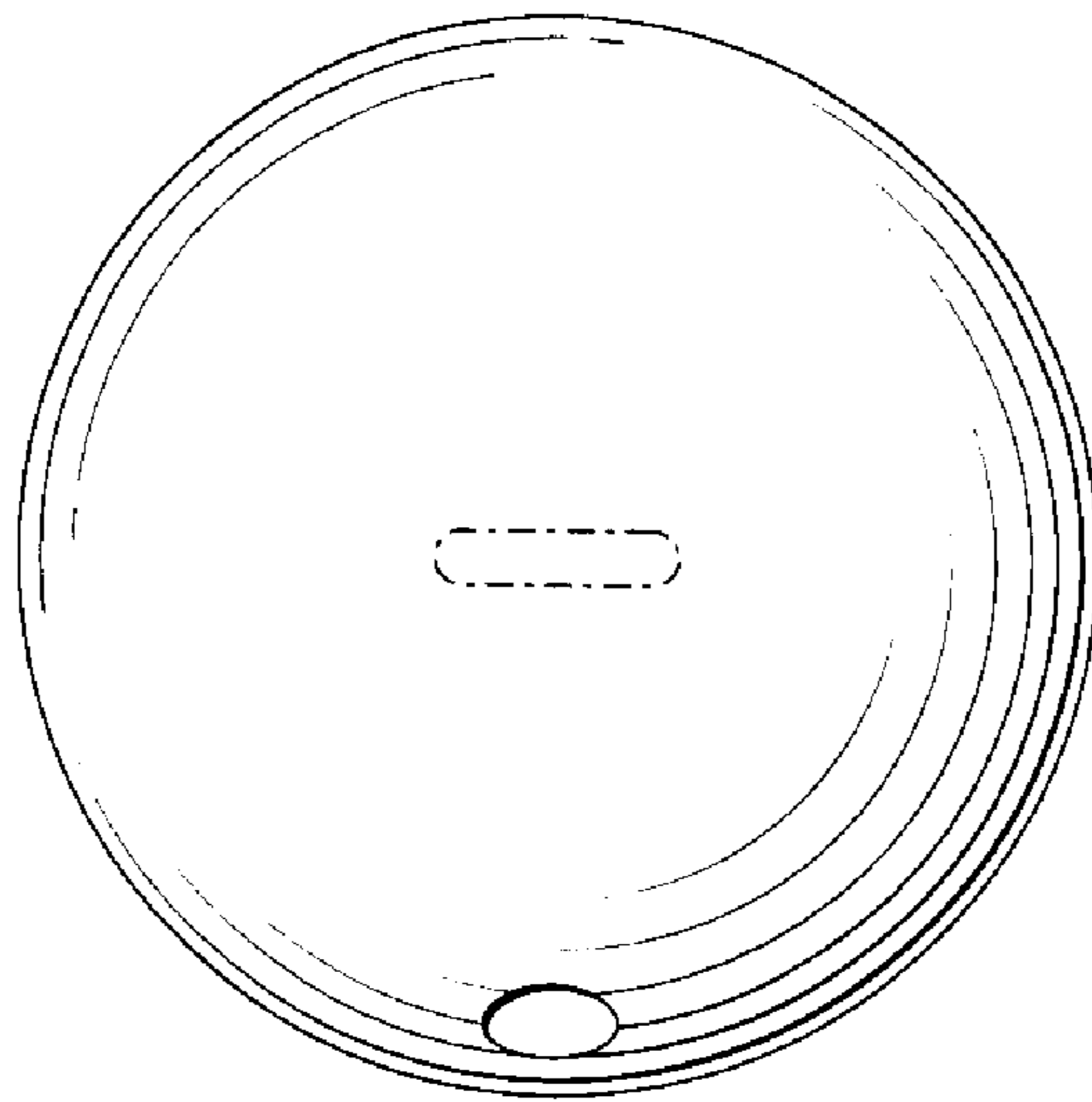


Fig. 4

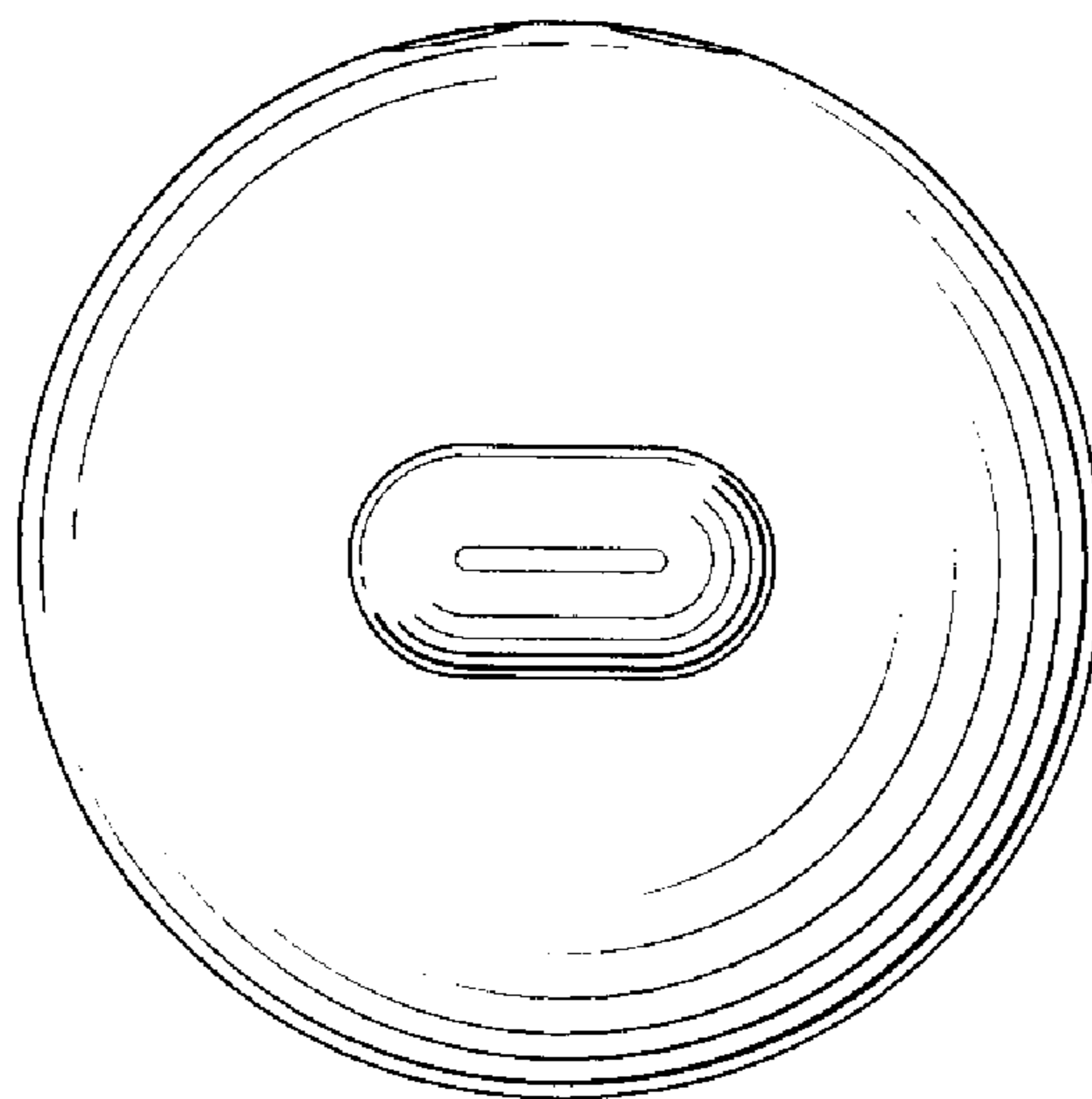


Fig. 5