



US00D516559S

(12) **United States Design Patent**
Cohen

(10) **Patent No.:** **US D516,559 S**
(45) **Date of Patent:** **** Mar. 7, 2006**

(54) **MULTI-FUNCTION JOG AND SHUTTLE CONTROLLER**

D382,916 S * 8/1997 Oikawa D14/401
D421,038 S * 2/2000 Hisatsune D14/415
D438,847 S * 3/2001 Hasegawa D14/412

(76) Inventor: **Robert A. Cohen**, 16 Gullwing, Laguna Niguesl, CA (US) 92677

* cited by examiner

(**) Term: **14 Years**

Primary Examiner—Nanda Bondade

(74) *Attorney, Agent, or Firm*—Drummond & Duckworth

(21) Appl. No.: **29/201,935**

(57) **CLAIM**

(22) Filed: **Mar. 22, 2004**

The ornamental design for the multi-function jog and shuttle controller, as shown and described.

(51) **LOC (8) Cl.** **14-02**

(52) **U.S. Cl.** **D14/413; D14/412**

(58) **Field of Classification Search** D14/412–416, D14/399–401; D21/324, 328, 333; 273/148; 463/35–39, 46, 47; 345/156–161; 74/471 XY
See application file for complete search history.

DESCRIPTION

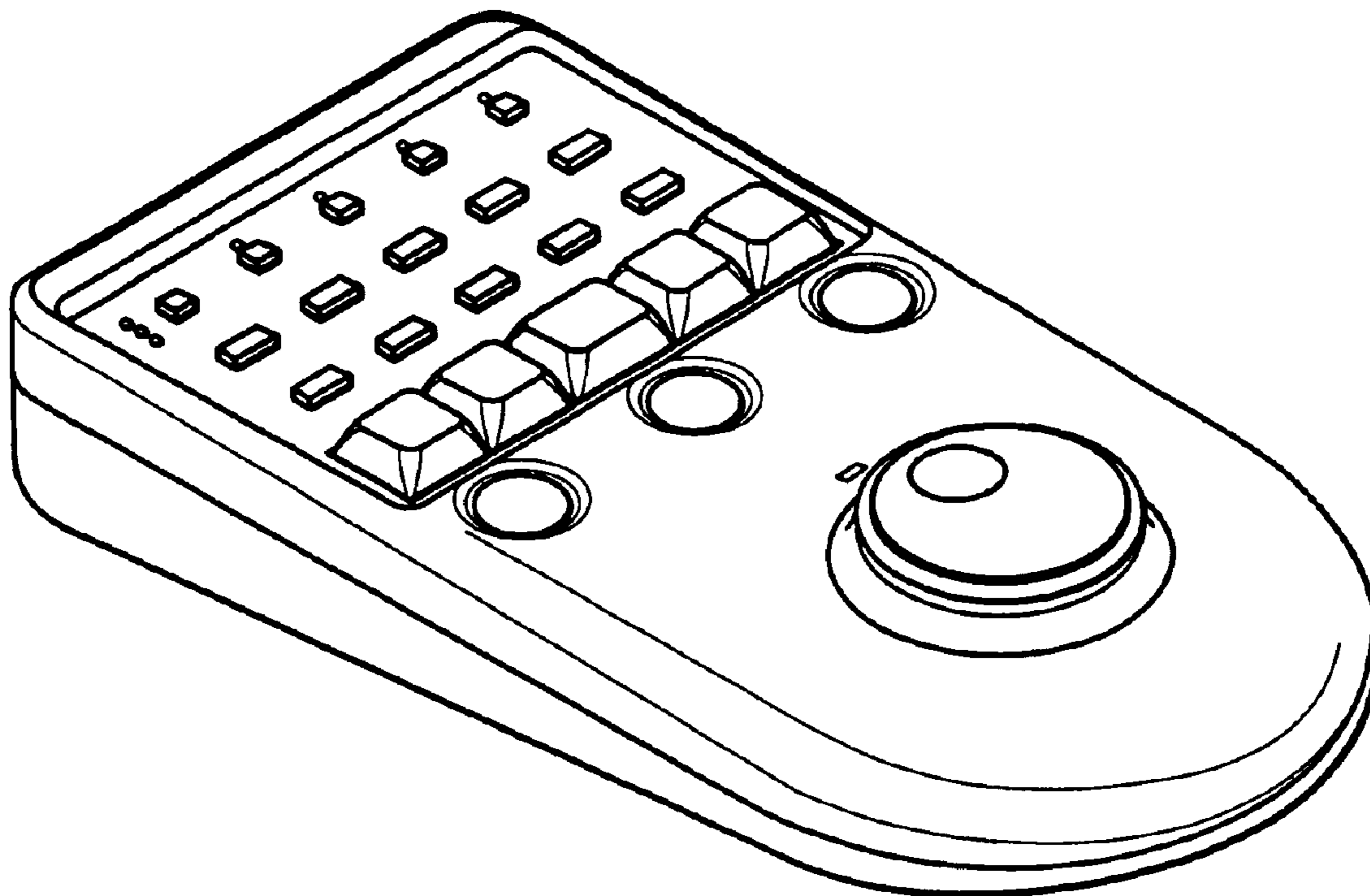
FIG. 1 is a perspective view of the multi-function jog and shuttle controller showing my new design; FIG. 2 is right side elevation view thereof; FIG. 3 is a left side elevation view thereof; FIG. 4 is a top plan view thereof; FIG. 5 is a front elevation view thereof; FIG. 6 is a rear elevation view thereof; and, FIG. 7 is a bottom plan view thereof.

(56) **References Cited**

U.S. PATENT DOCUMENTS

4,469,330 A * 9/1984 Asher 463/38
D306,998 S * 4/1990 Mintz et al. D13/164

1 Claim, 4 Drawing Sheets



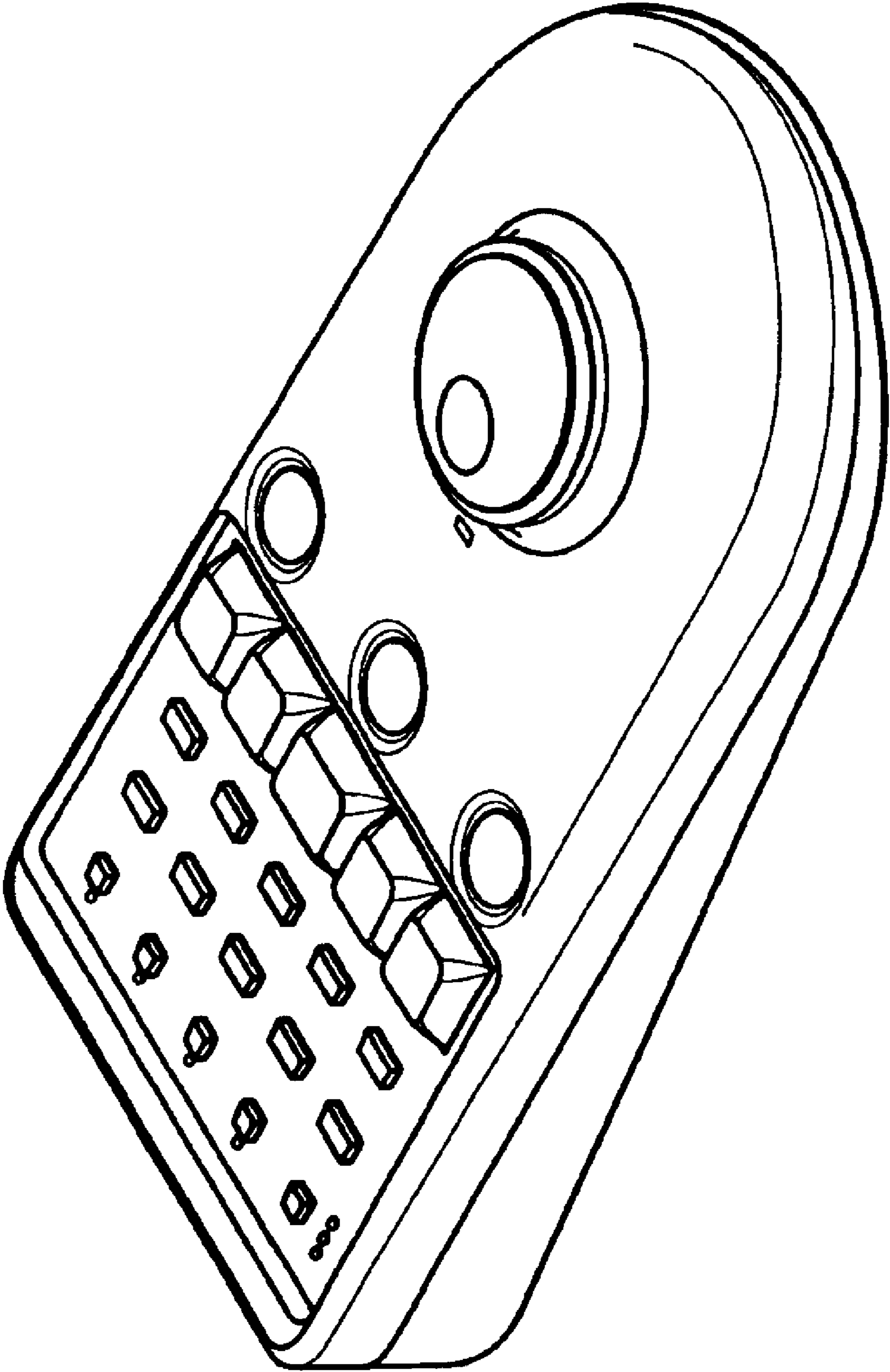


FIG. 1

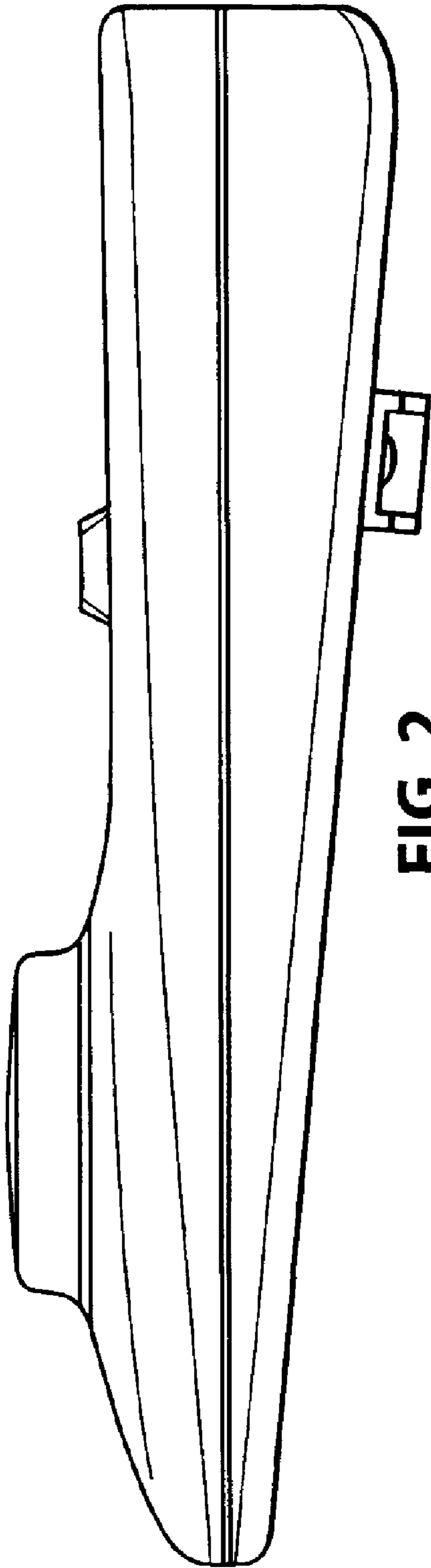


FIG. 2

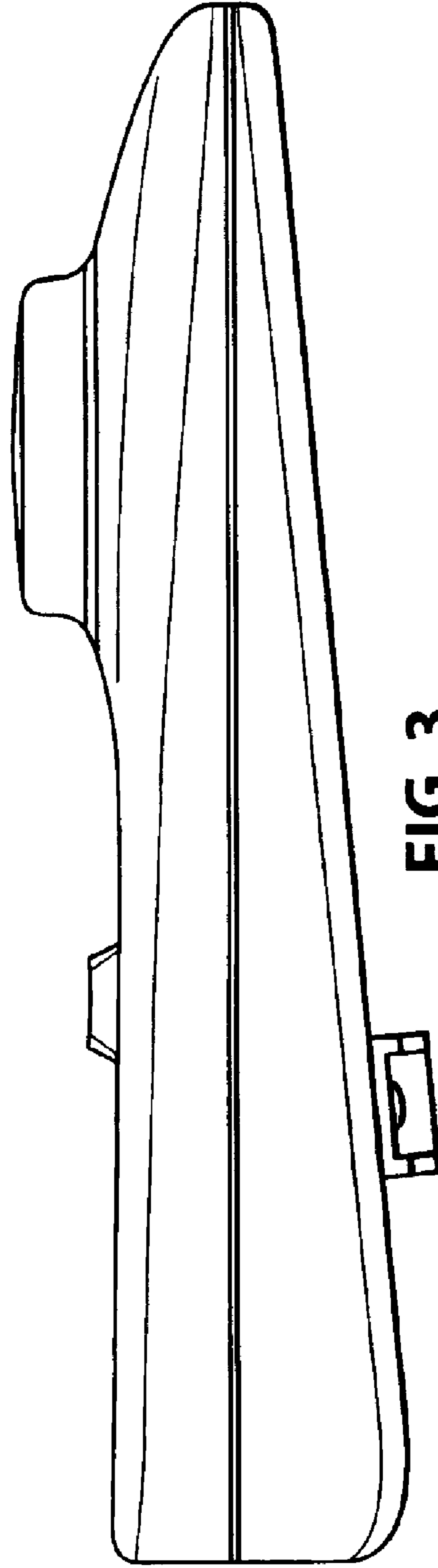


FIG. 3

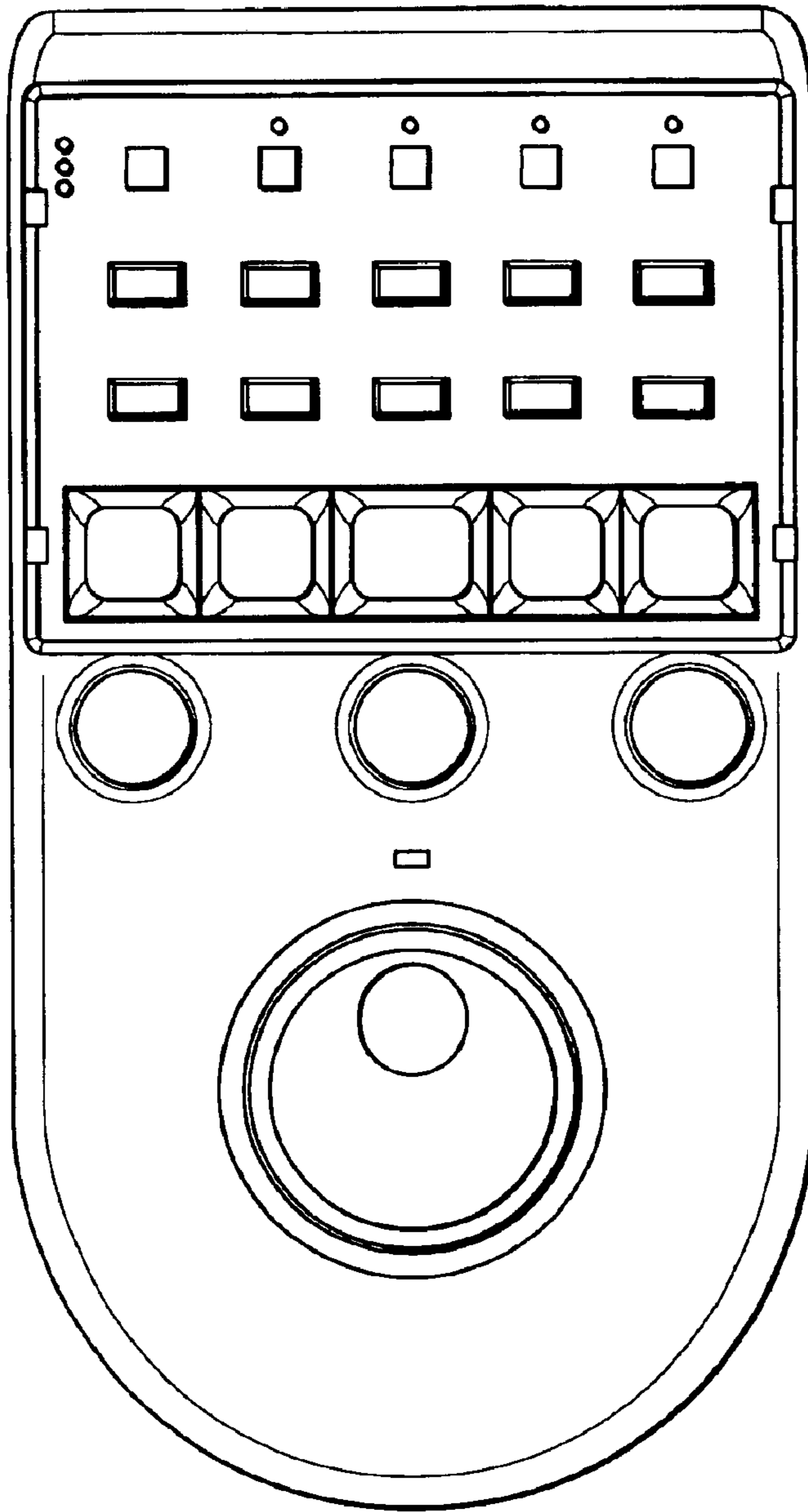


FIG. 4

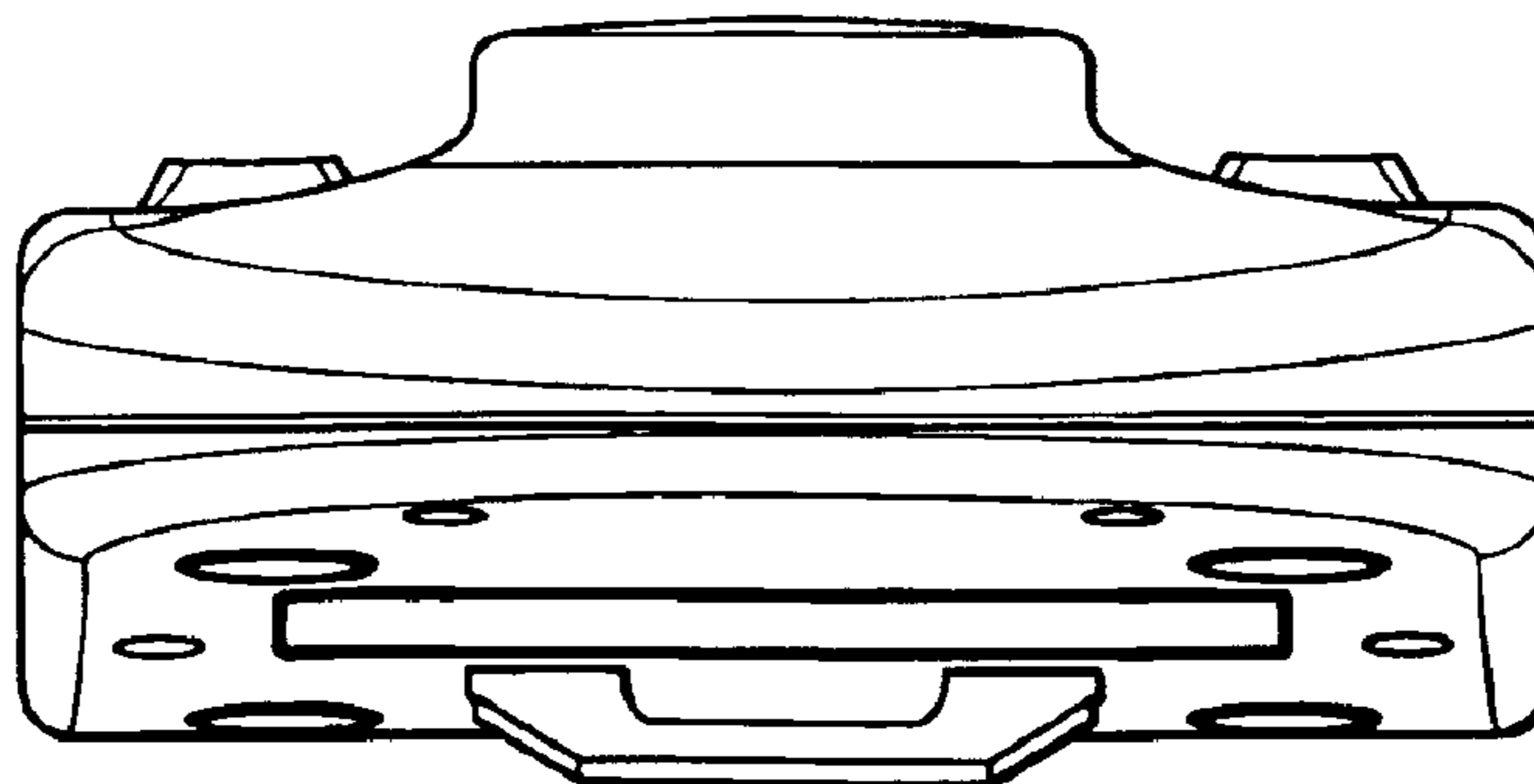


FIG. 5

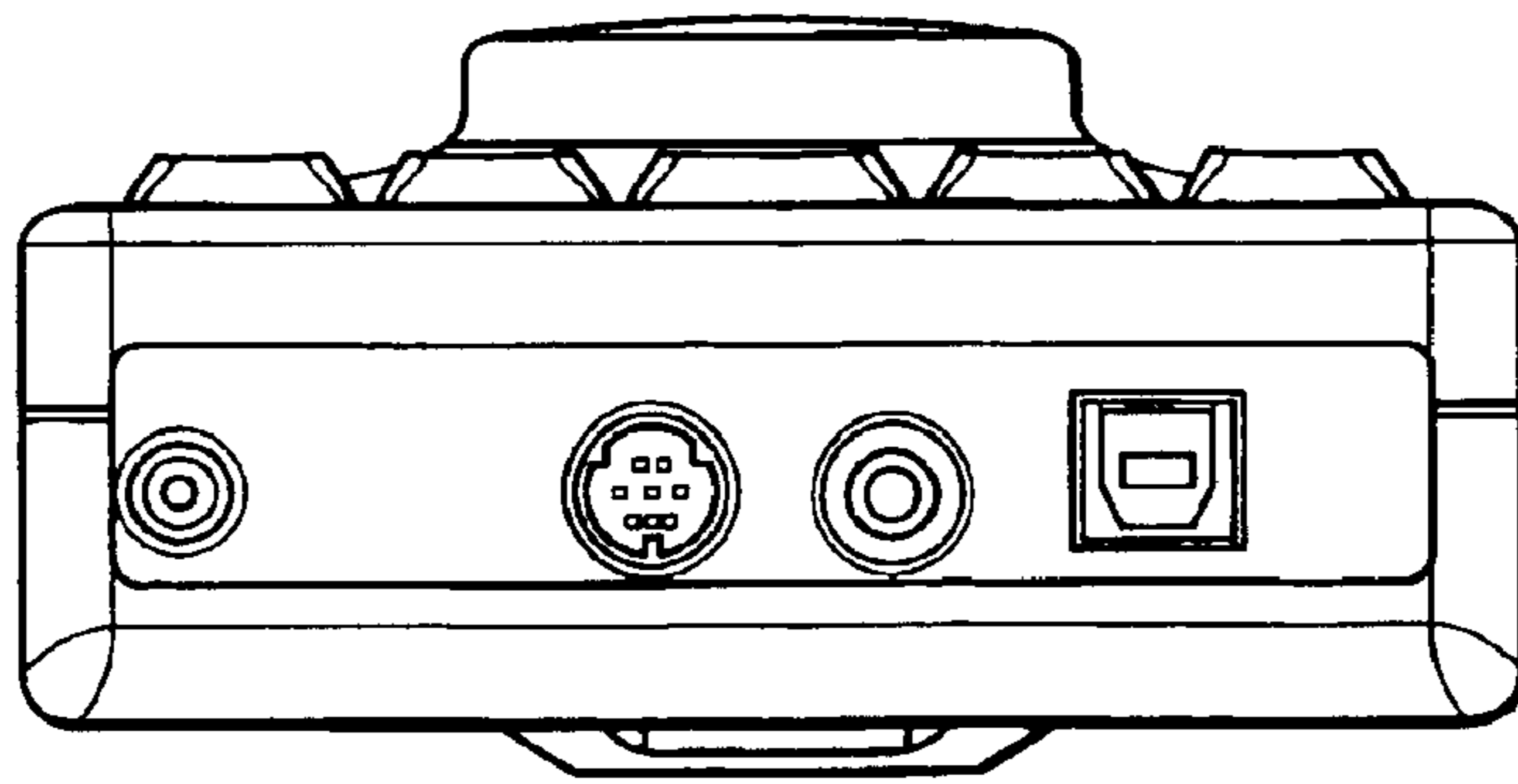


FIG. 6

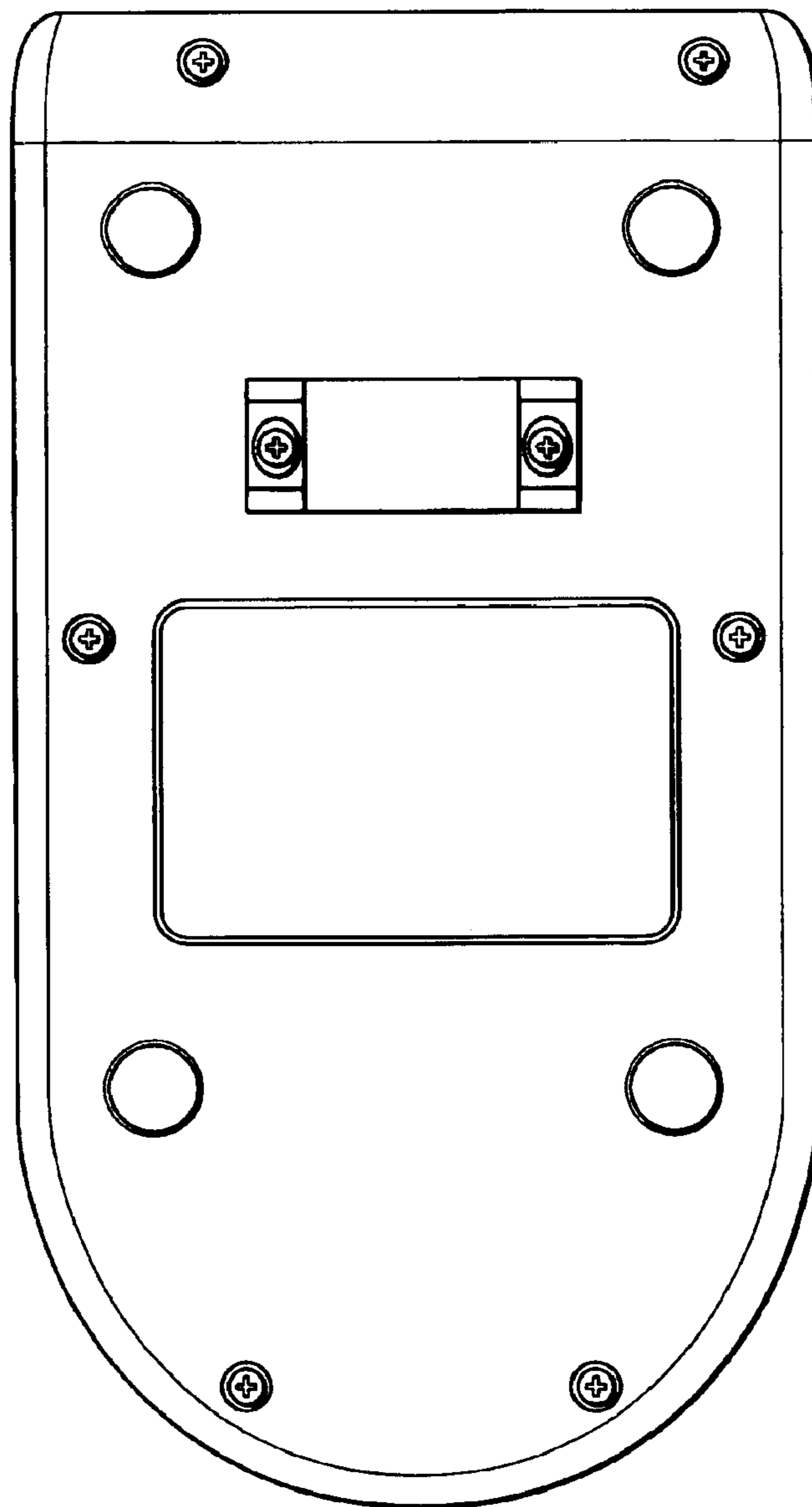


FIG. 7