



US00D516557S

(12) **United States Design Patent**
Noda et al.

(10) **Patent No.: US D516,557 S**
(45) **Date of Patent: ** Mar. 7, 2006**

(54) **MONITOR FOR A COMPUTER**
(75) Inventors: **Hiroyuki Noda**, Musashino (JP); **Yoko Sato**, Fuchu (JP); **Tadahiro Yamaguchi**, Tama (JP); **Koji Suso**, Kokubunji (JP); **Masao Miyawaki**, Hadano (JP)

(73) Assignee: **Hitachi, Ltd.**, Tokyo (JP)

(**) Term: **14 Years**

(21) Appl. No.: **29/218,113**

(22) Filed: **Nov. 29, 2004**

(30) **Foreign Application Priority Data**

Sep. 29, 2004 (JP) 2004-029371

(51) **LOC (8) Cl.** **14-02**

(52) **U.S. Cl.** **D14/375**

(58) **Field of Classification Search** D14/371-375,
D14/125-129, 336; 248/917-924; 345/104,
345/156, 168, 173, 87, 901-905; 348/180,
348/184, 325, 739; 349/1, 2, 11, 62
See application file for complete search history.

(56) **References Cited**

U.S. PATENT DOCUMENTS

D303,661 S * 9/1989 Manabe et al. D14/375

D394,248 S * 5/1998 Duan D14/375
D422,576 S * 4/2000 Chuo et al. D14/375
D438,862 S * 3/2001 Brandenburg D14/336
D468,739 S * 1/2003 Hasegawa et al. D14/375
D477,319 S * 7/2003 Duan D14/375

* cited by examiner

Primary Examiner—Freda S. Nunn

(74) *Attorney, Agent, or Firm*—Antonelli, Terry, Stout & Kraus, LLP.

(57) **CLAIM**

We claim the ornamental design for a monitor for a computer, as shown.

DESCRIPTION

FIG. 1 is a front, top and right side perspective view of a monitor for a computer showing our new design;
FIG. 2 is a front elevational view thereof;
FIG. 3 is a rear elevational view thereof;
FIG. 4 is a right side elevational view thereof;
FIG. 5 is a left side elevational view thereof;
FIG. 6 is a top plan elevational view thereof; and,
FIG. 7 is a bottom plan elevational view thereof.

1 Claim, 6 Drawing Sheets

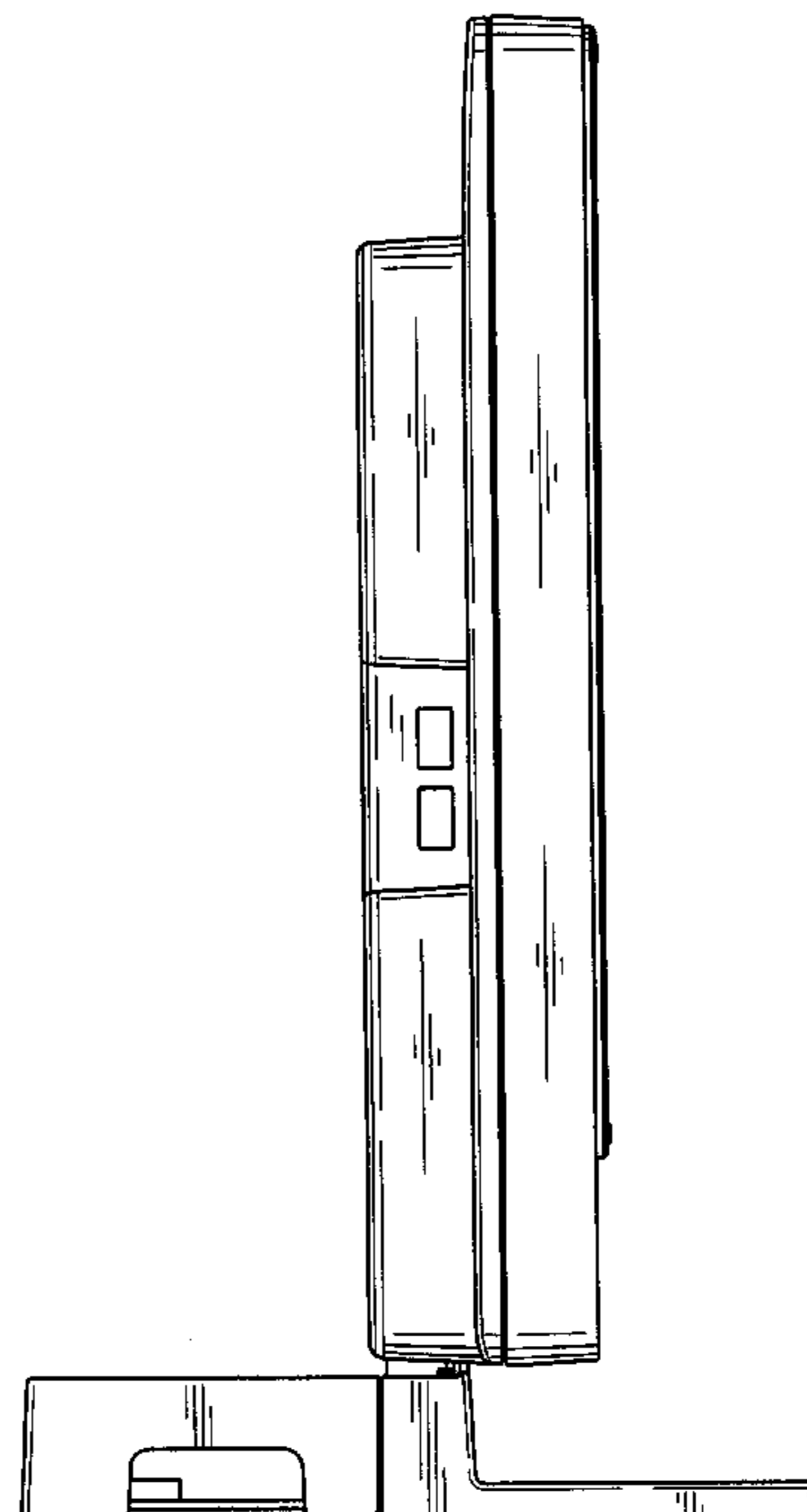
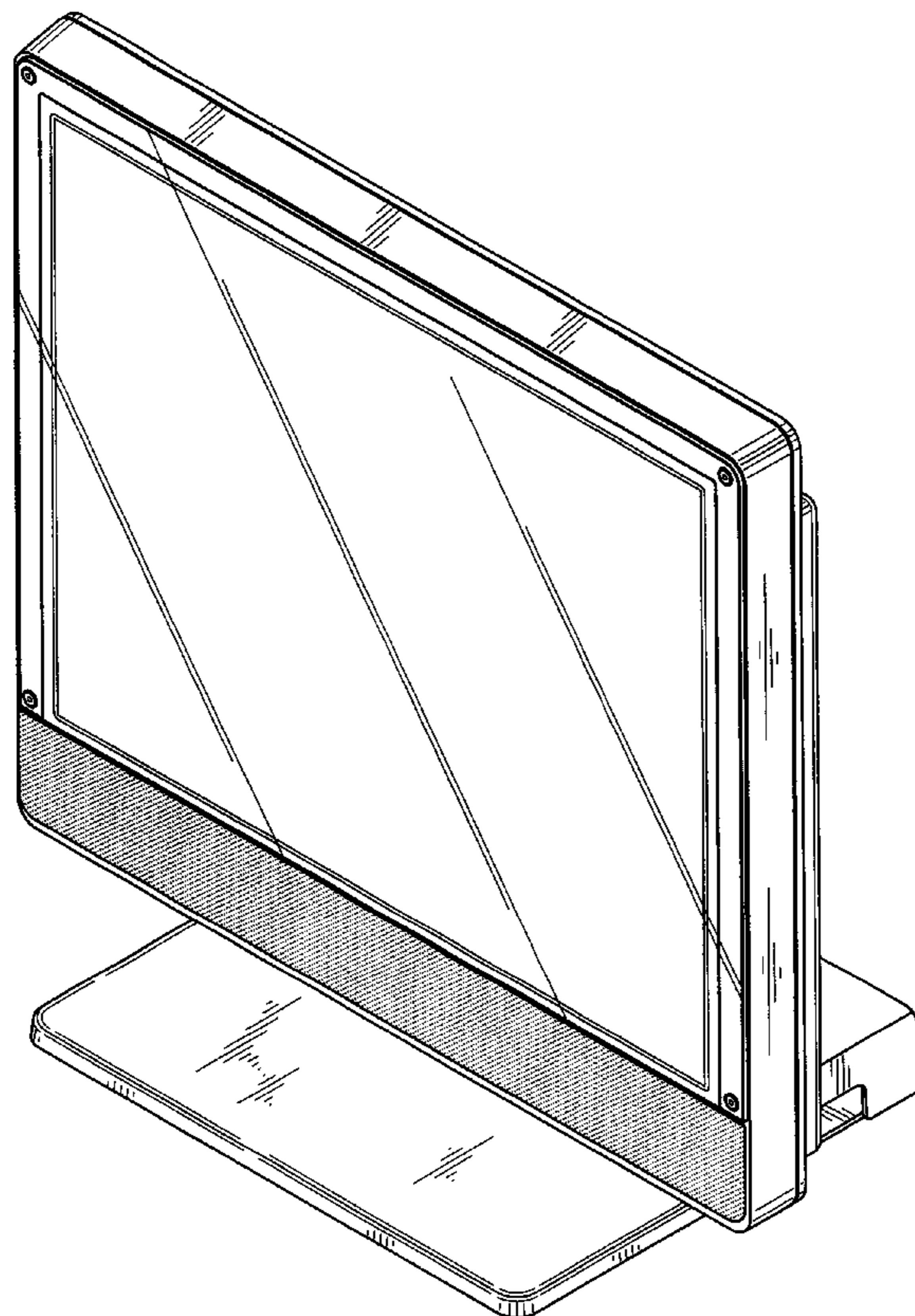


FIG. 1

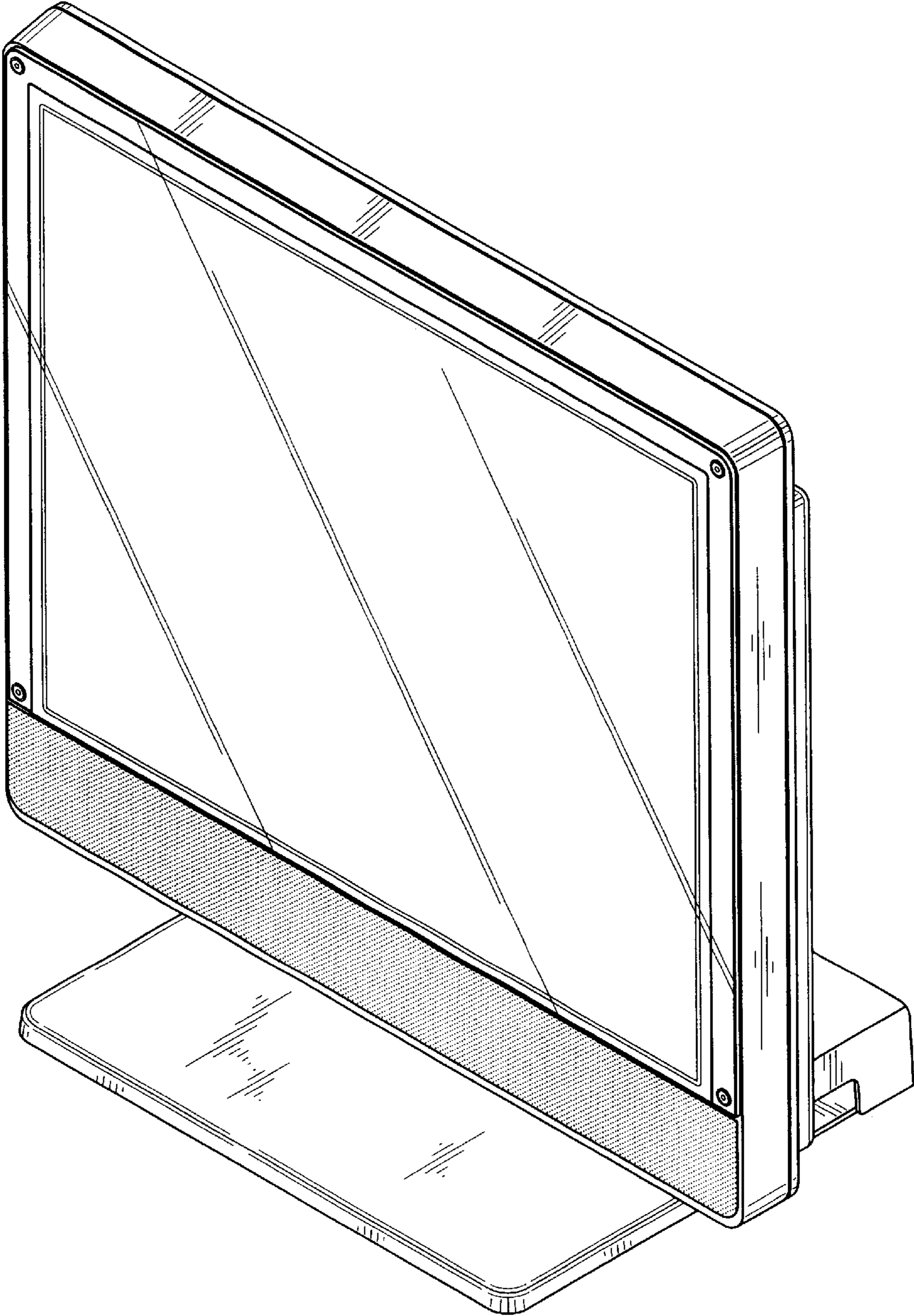


FIG. 2

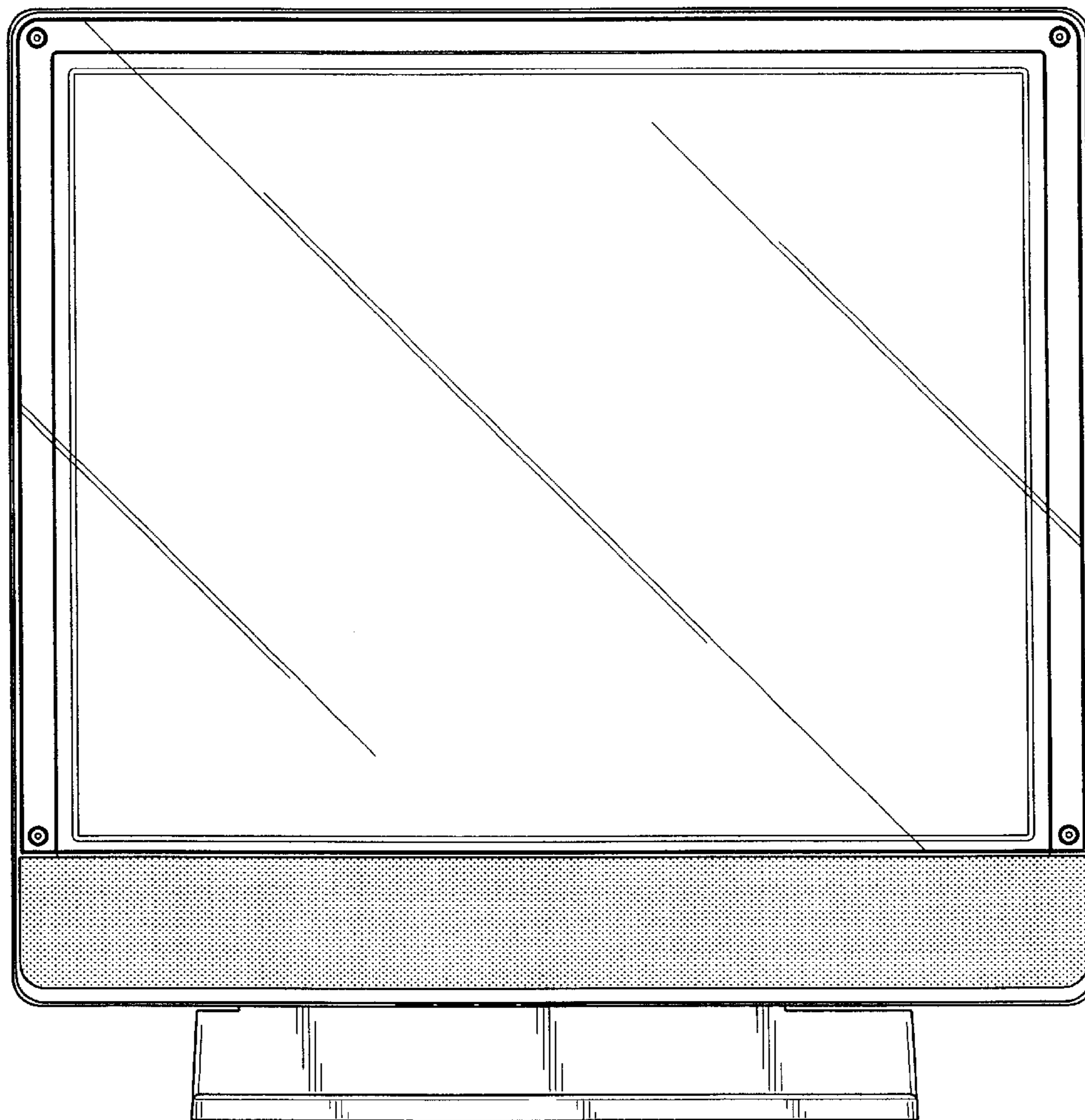


FIG. 3

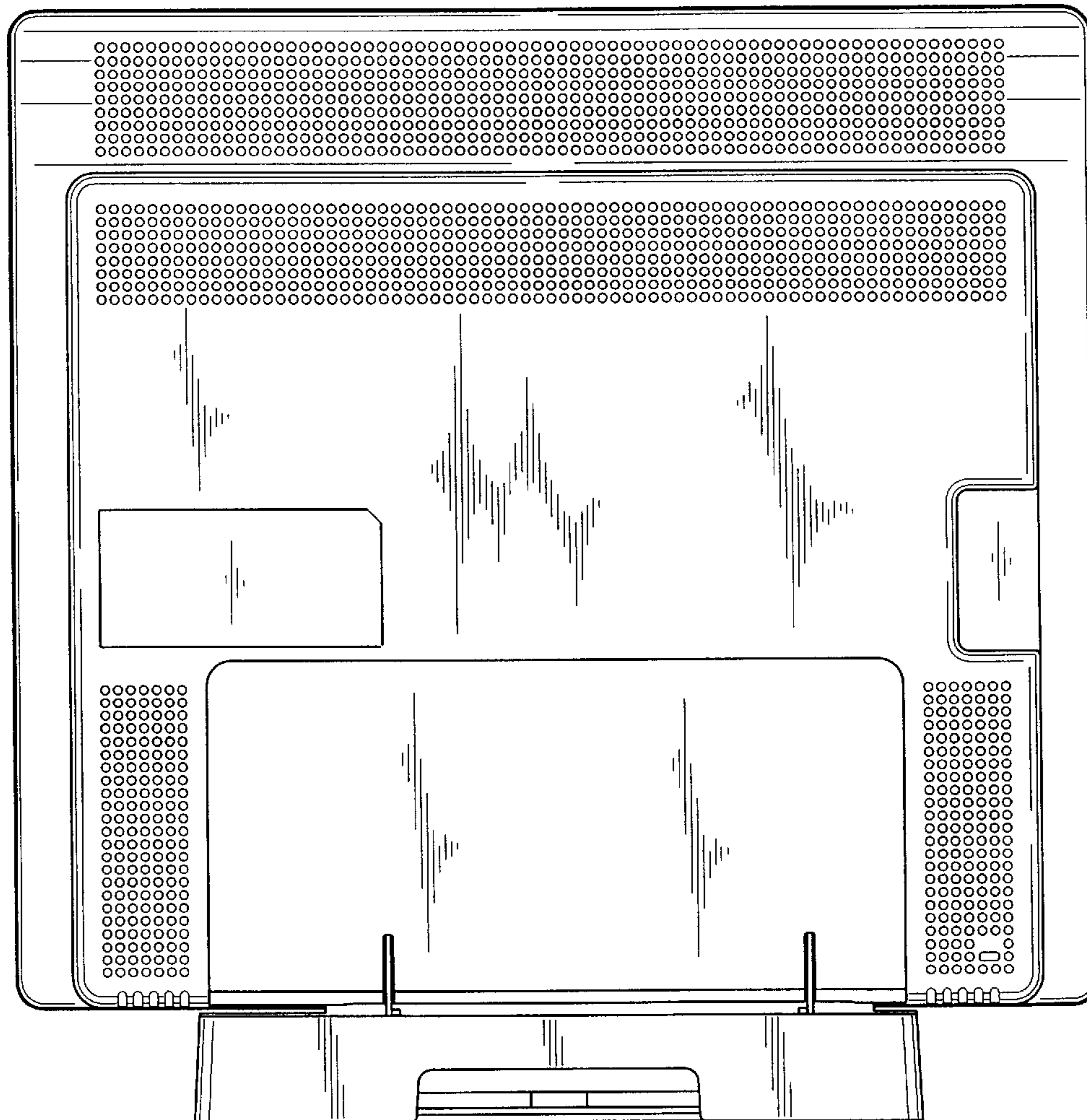


FIG. 4

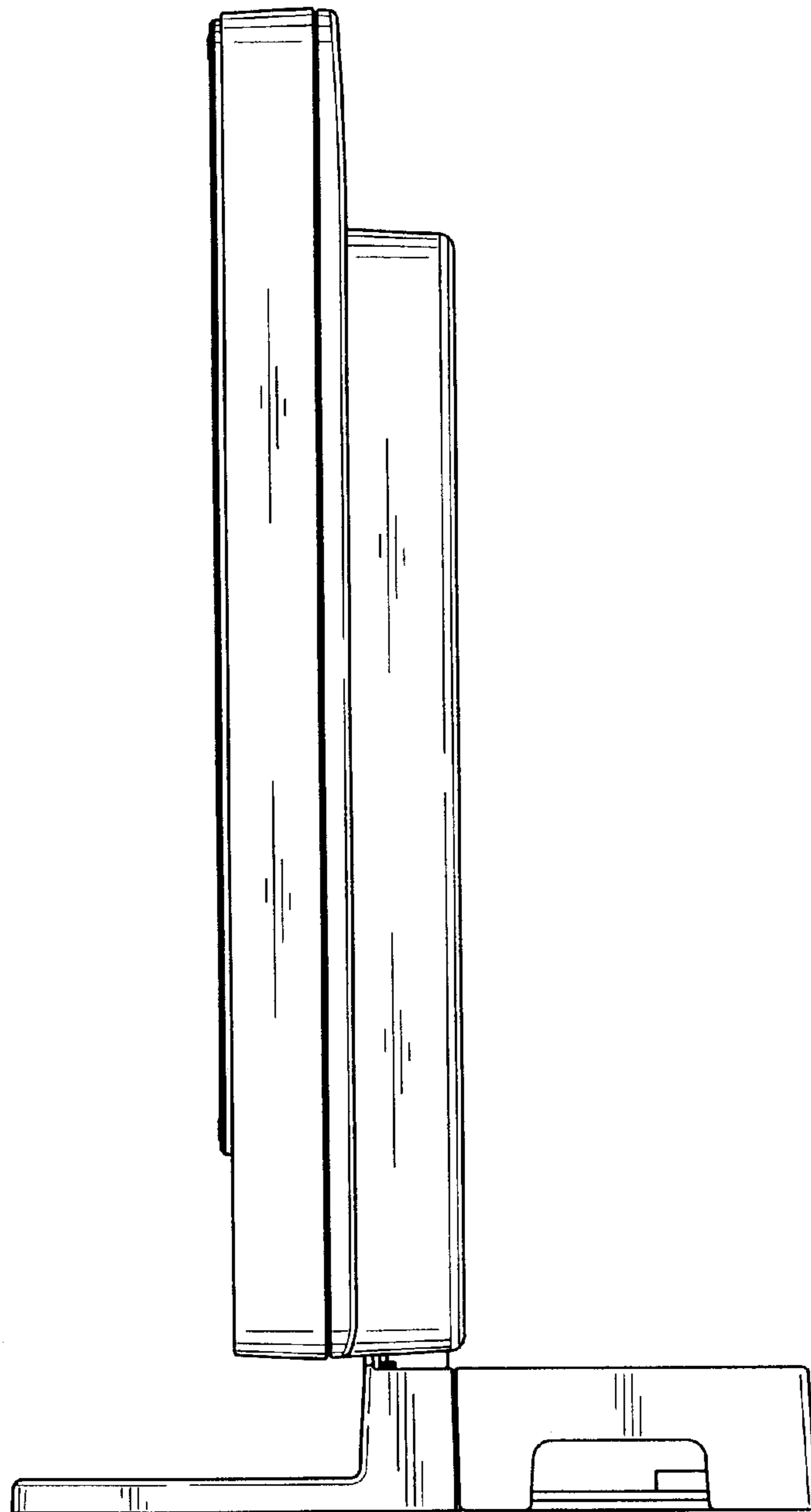


FIG. 5

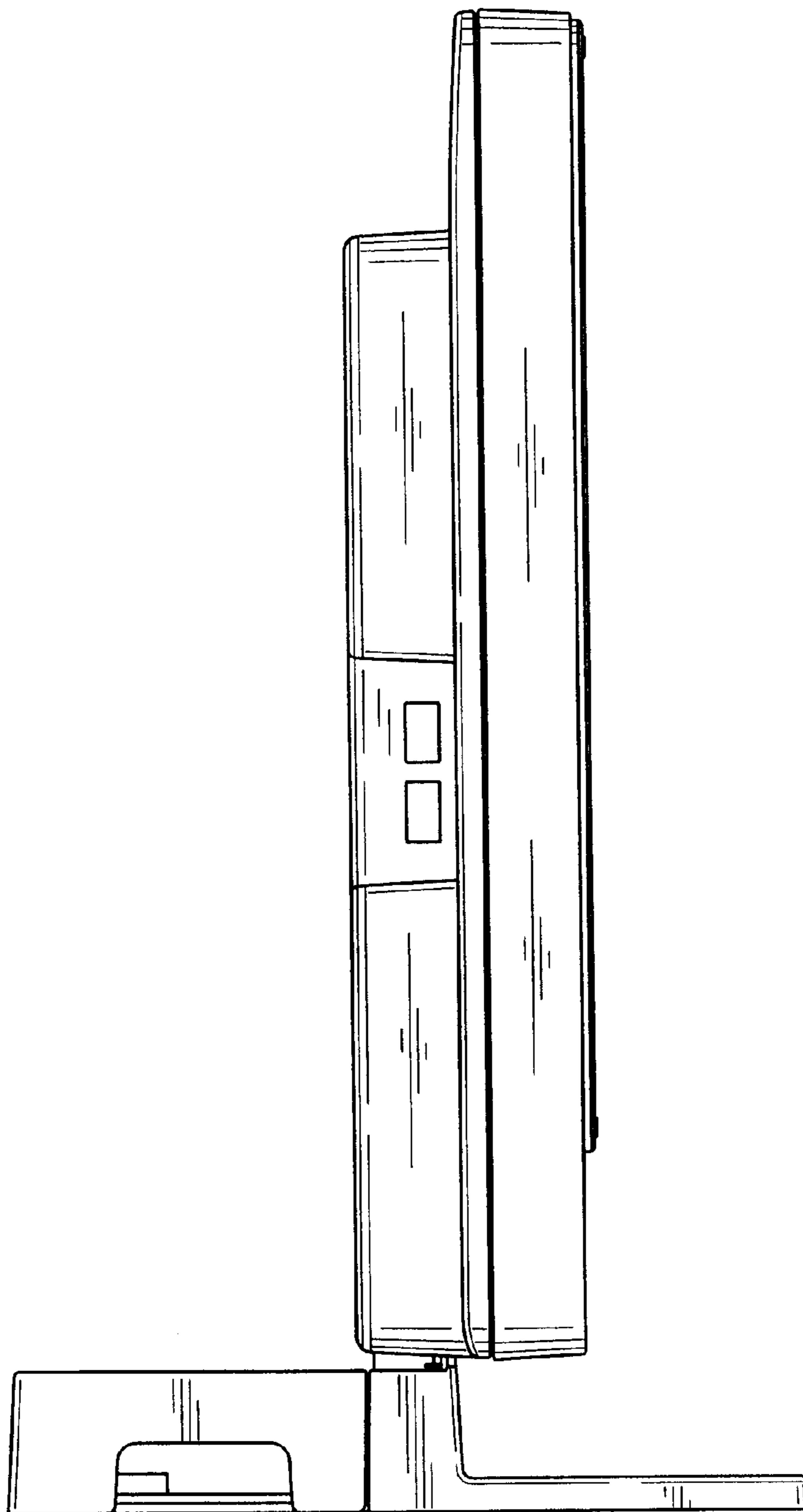


FIG. 6

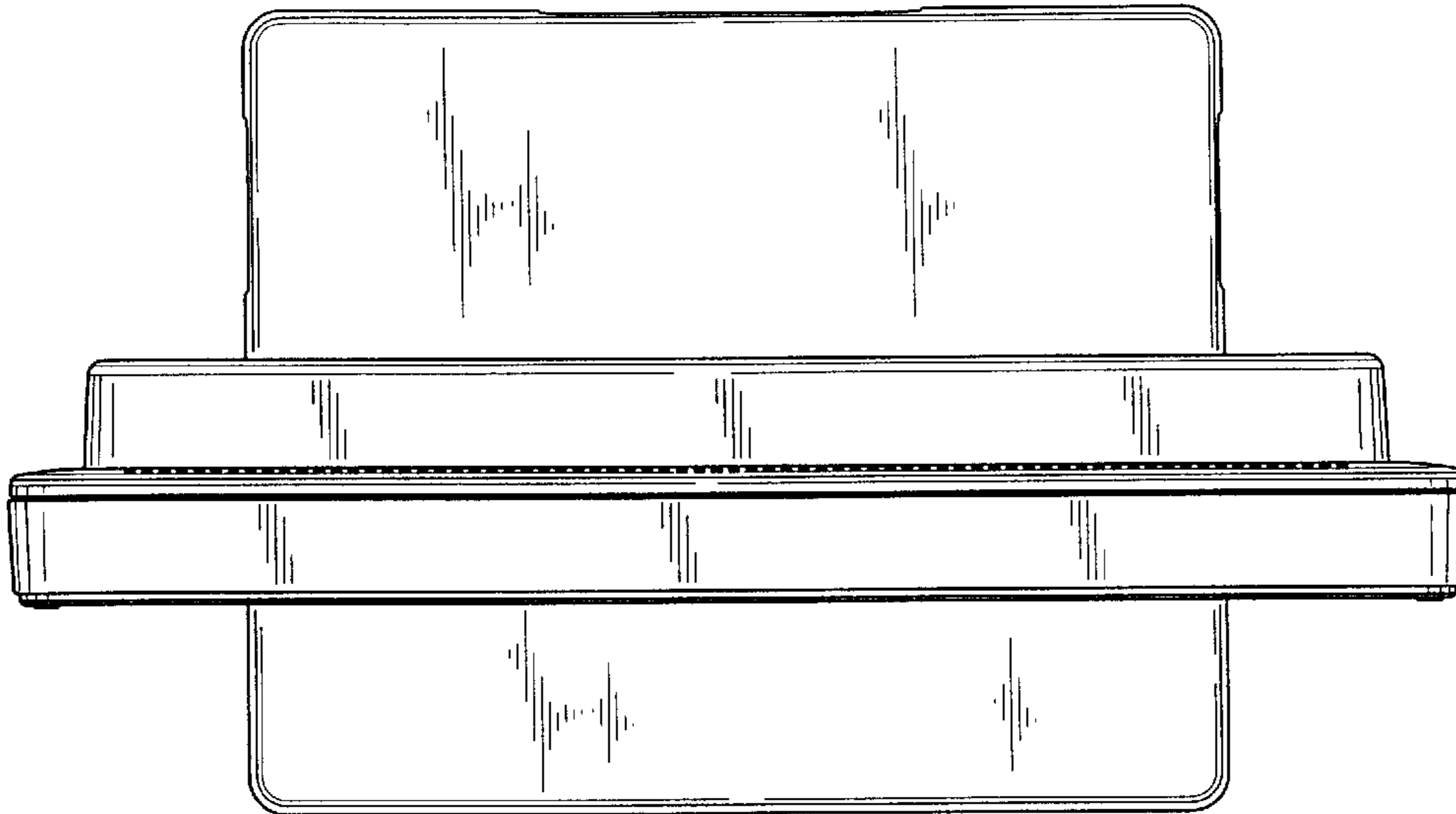


FIG. 7

