



US00D516549S

(12) **United States Design Patent**
Sung

(10) **Patent No.:** **US D516,549 S**
(45) **Date of Patent:** **** Mar. 7, 2006**

(54) **HOST COMPUTER**

(76) **Inventor:** **Tony Wen Sung**, 1433 Richmond St.,
El Cerrito, CA (US) 94530

(**) **Term:** **14 Years**

(21) **Appl. No.:** **29/213,643**

(22) **Filed:** **Sep. 21, 2004**

(30) **Foreign Application Priority Data**

Aug. 13, 2004 (CN) 93304847

(51) **LOC (8) Cl.** **14-02**

(52) **U.S. Cl.** **D14/300; D14/351**

(58) **Field of Classification Search** D14/300-302,
D14/314, 348, 356, 439, 440, 403, 351; D13/162,
D13/184, 199; D6/432, 436, 445, 448; 312/223.1,
312/223.3; 360/99.01-99.12; 361/690-696;
369/34.01, 36.01; D21/329

See application file for complete search history.

(56) **References Cited**

U.S. PATENT DOCUMENTS

D372,469 S * 8/1996 Samborsky D14/440
D373,762 S * 9/1996 Samborsky D14/440

D374,219 S * 10/1996 Allana et al. D14/403
D426,544 S * 6/2000 Smith et al. D14/351
D435,869 S * 1/2001 Podd et al. D21/329
D436,382 S * 1/2001 Podd et al. D21/329
D467,620 S * 12/2002 Lin D21/329
D483,375 S * 12/2003 Denney D14/440

* cited by examiner

Primary Examiner—Freda S. Nunn
(74) *Attorney, Agent, or Firm*—Charles E. Baxley

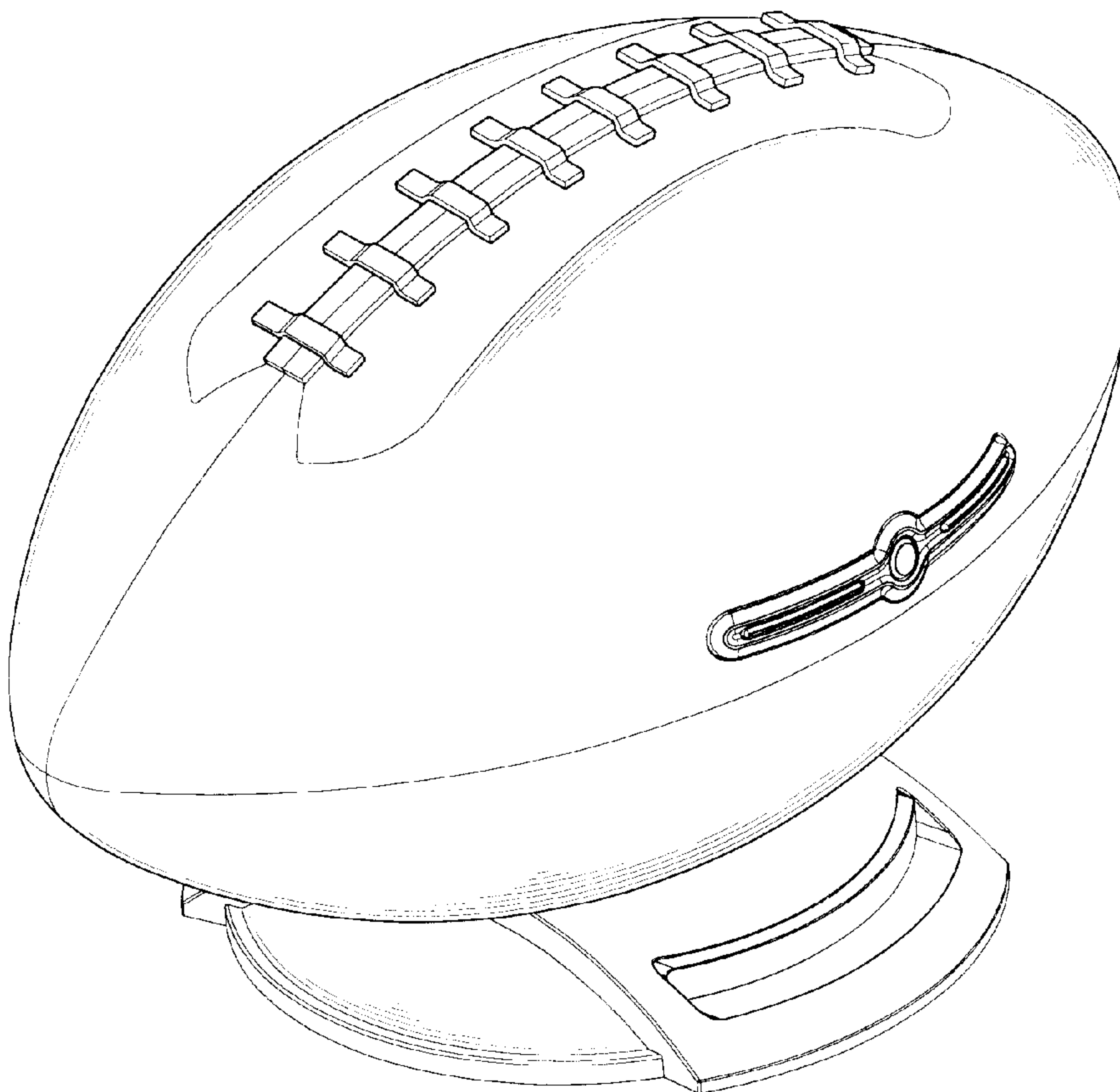
(57) **CLAIM**

The ornamental design for a host computer, as shown and described.

DESCRIPTION

FIG. 1 is a perspective view of a host computer showing my new design;
FIG. 2 is a front elevational view thereof;
FIG. 3 is a rear elevational view thereof,
FIG. 4 is a left side elevational view thereof,
FIG. 5 is a right side elevational view thereof,
FIG. 6 is a top plan view thereof; and,
FIG. 7 is a bottom plan view to that shown.

1 Claim, 4 Drawing Sheets



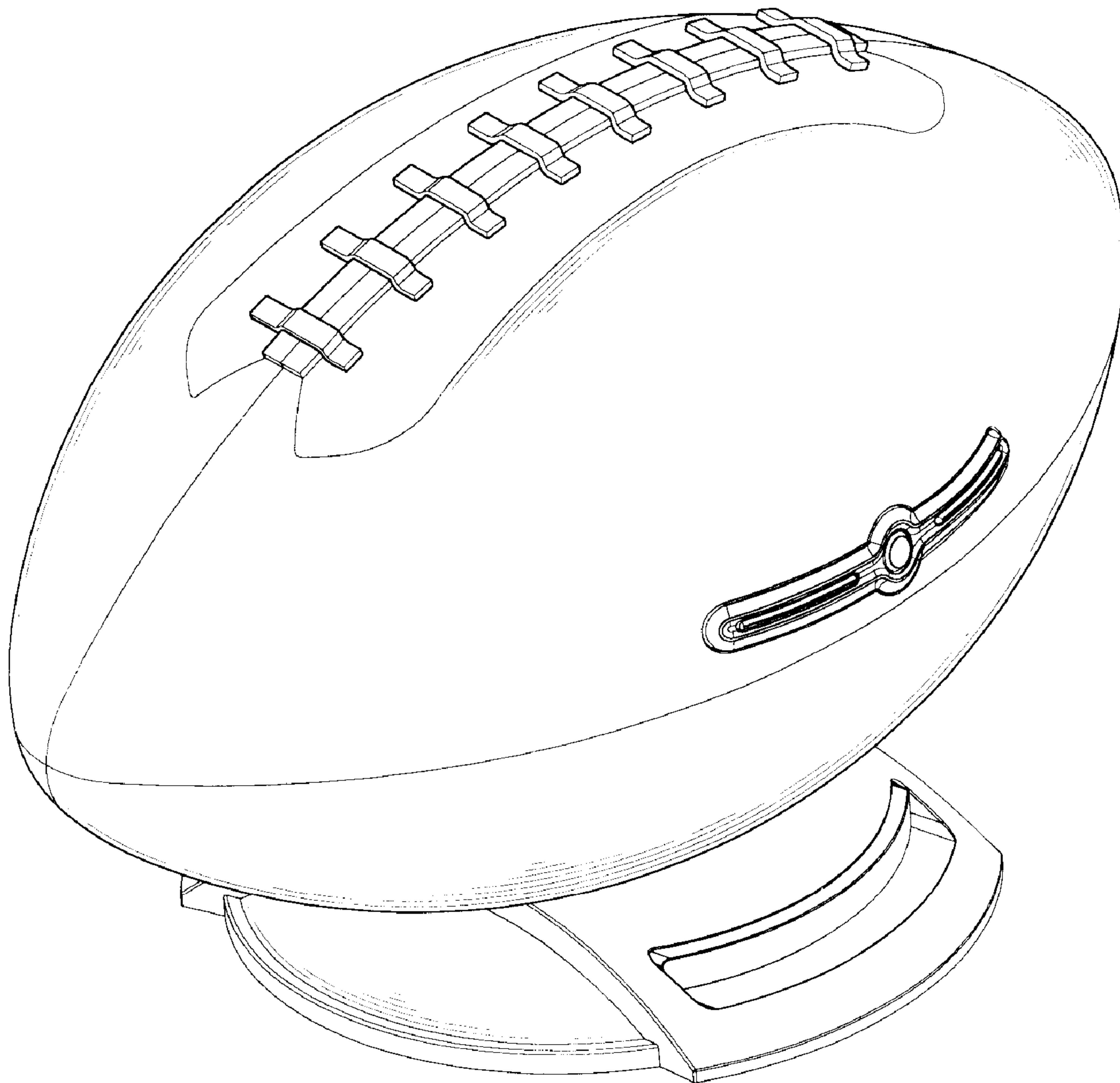


FIG. 1

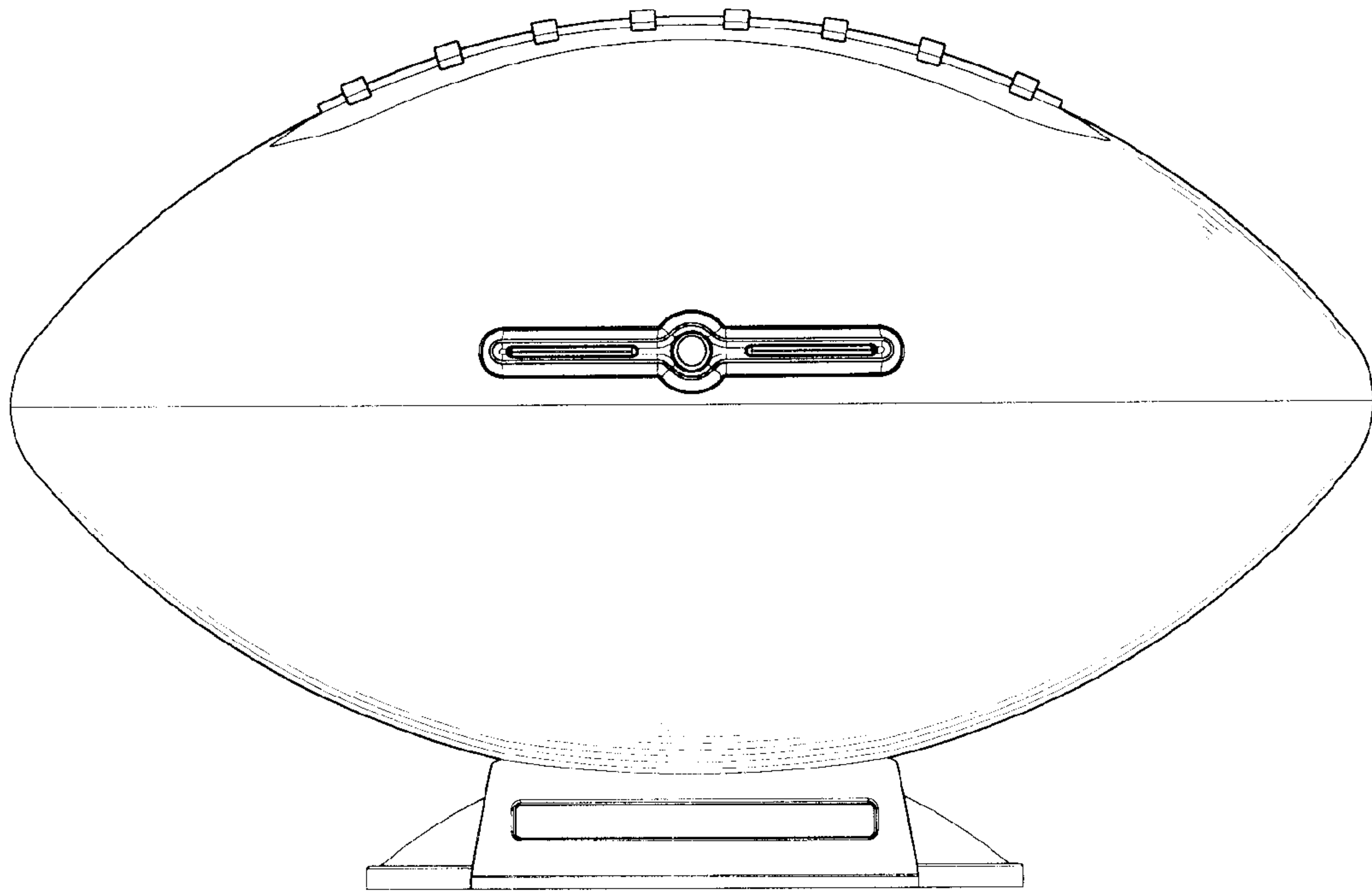


FIG. 2

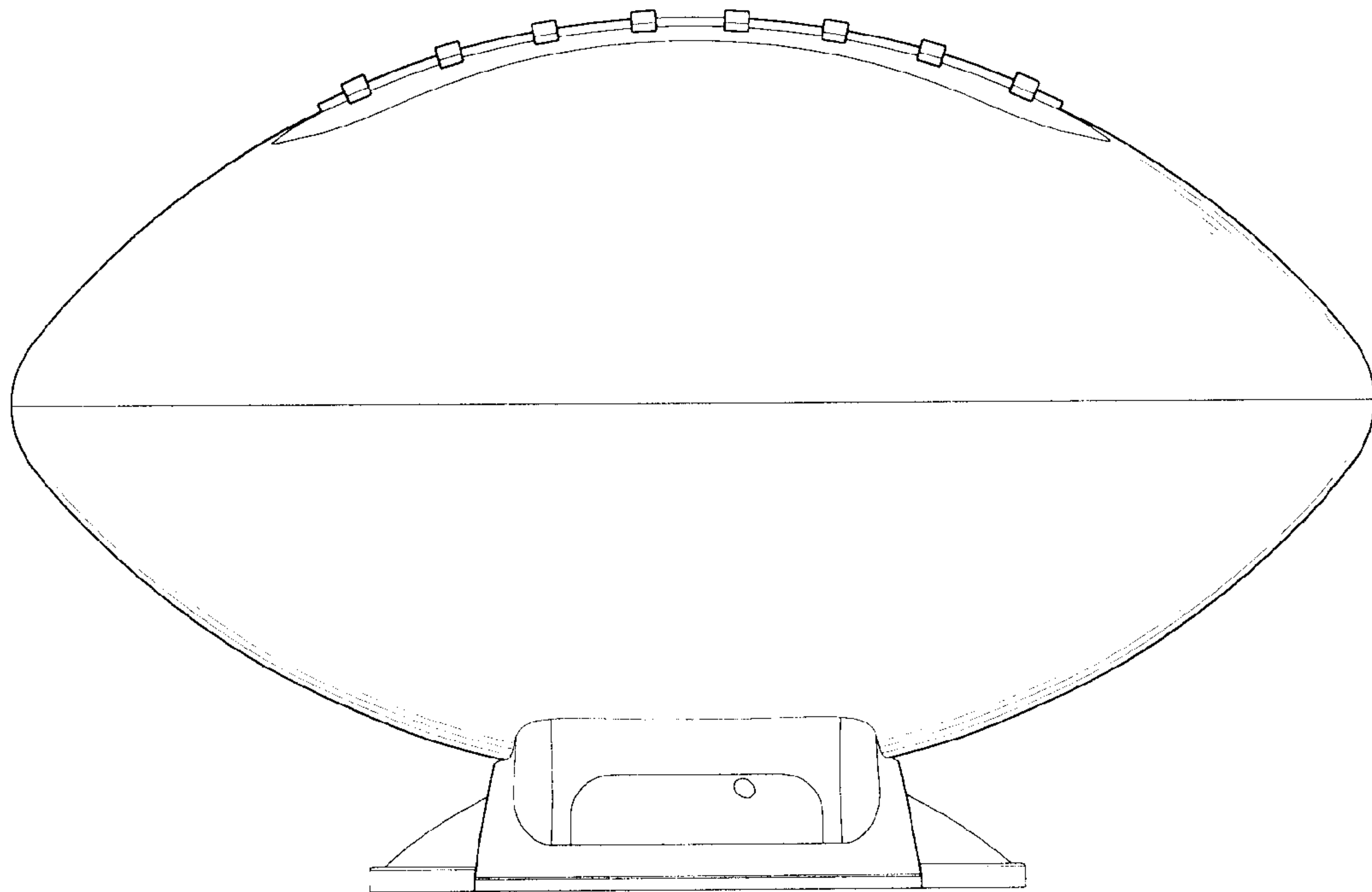


FIG. 3

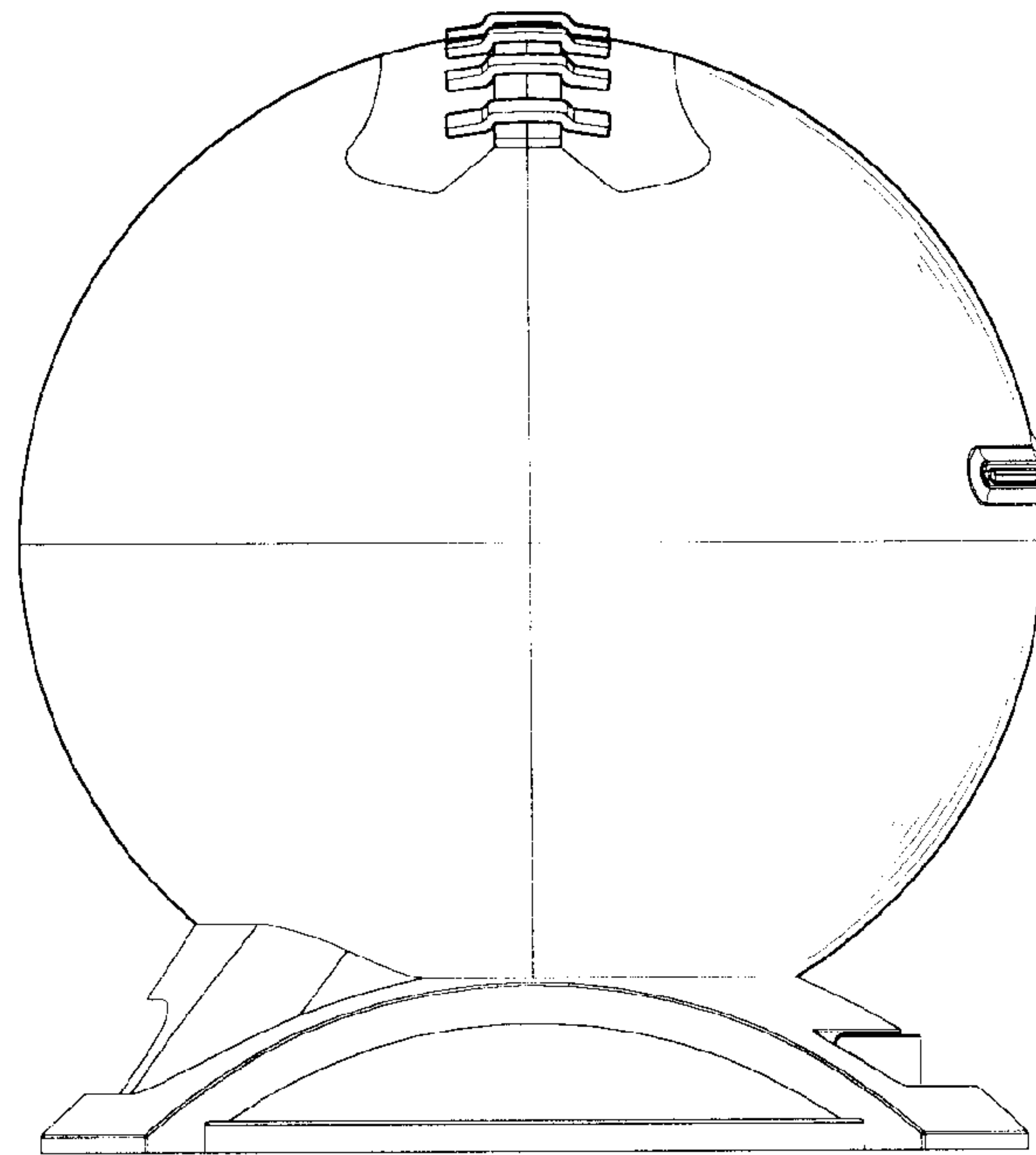


FIG. 4

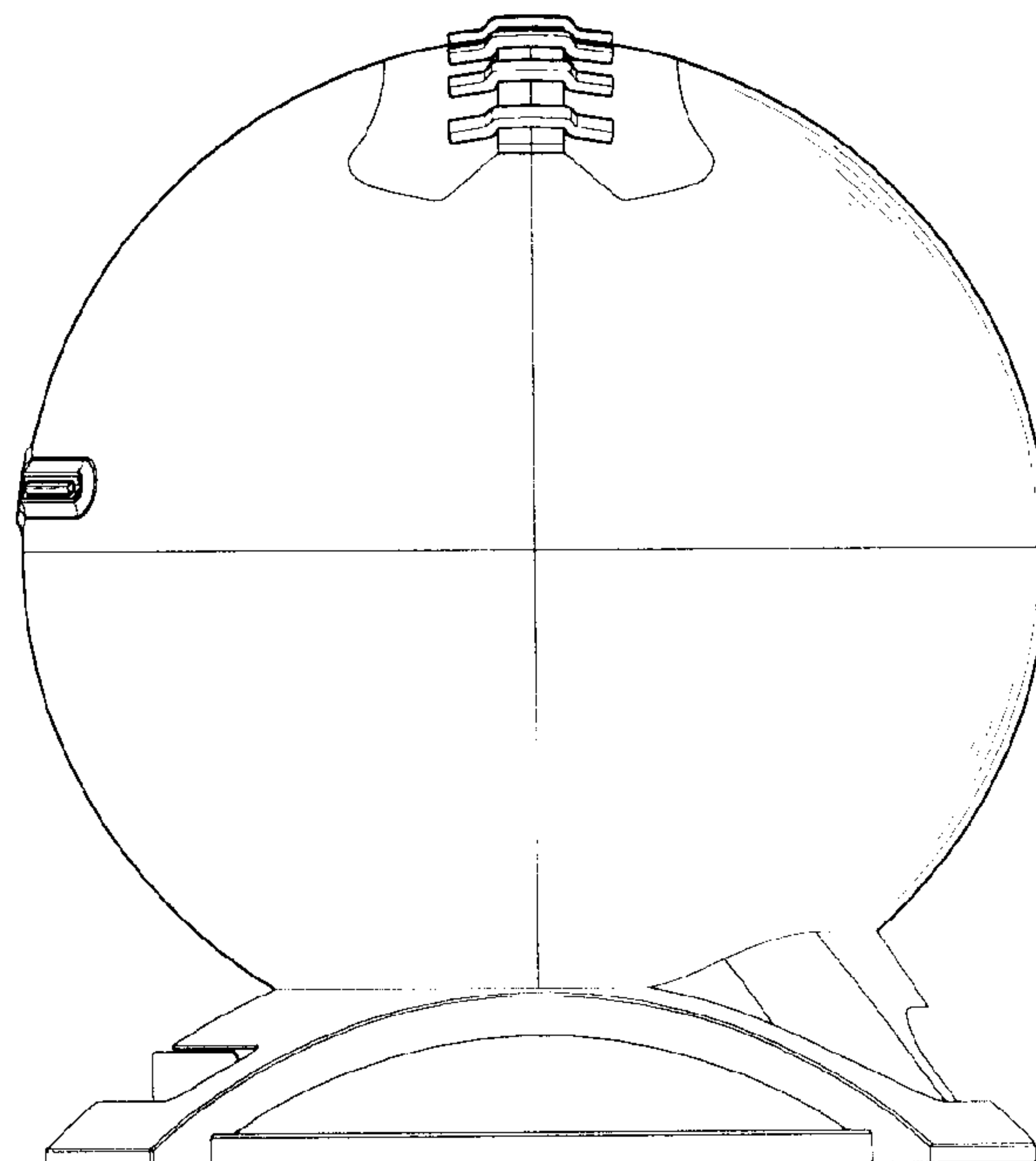


FIG. 5

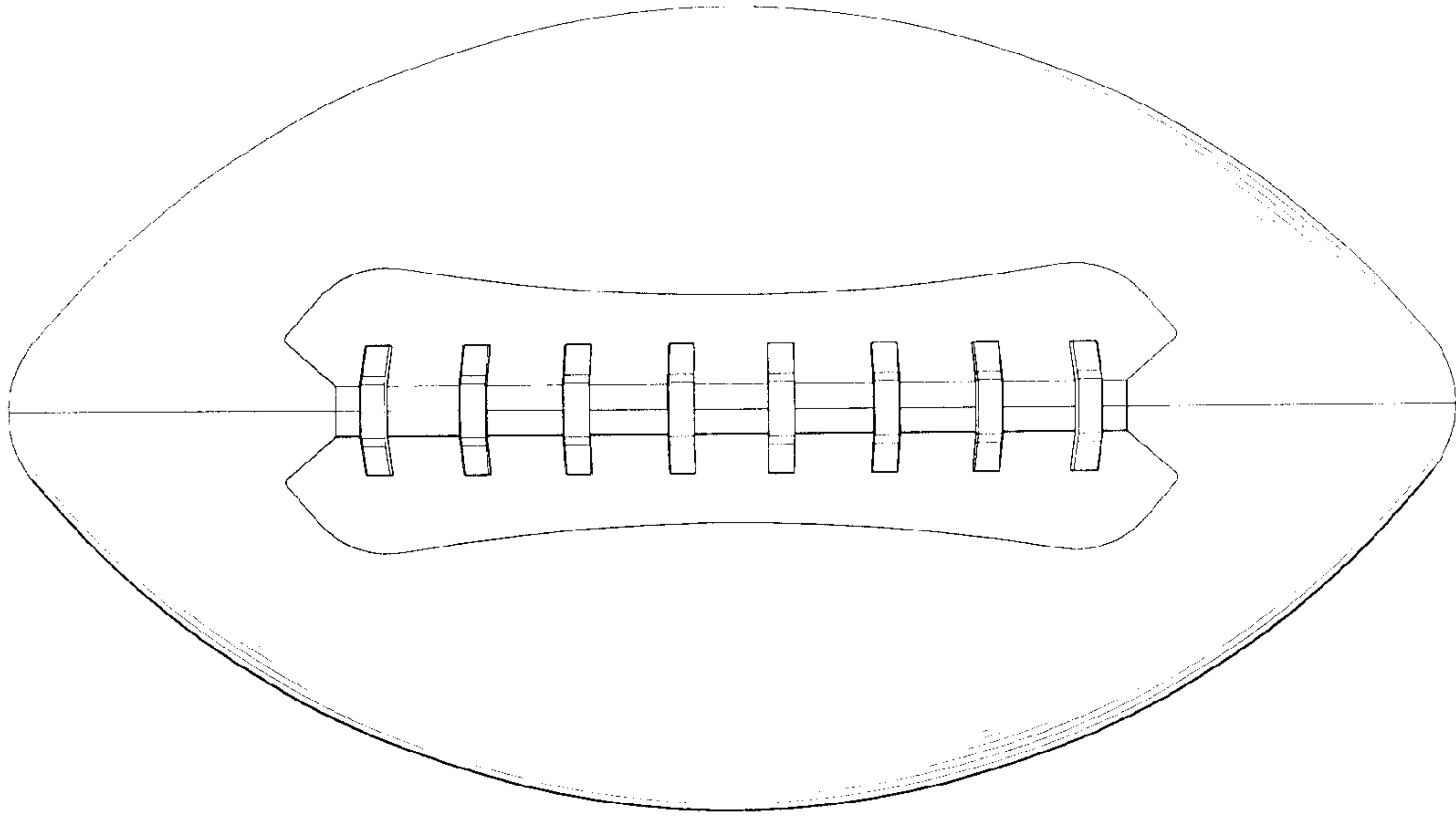


FIG. 6

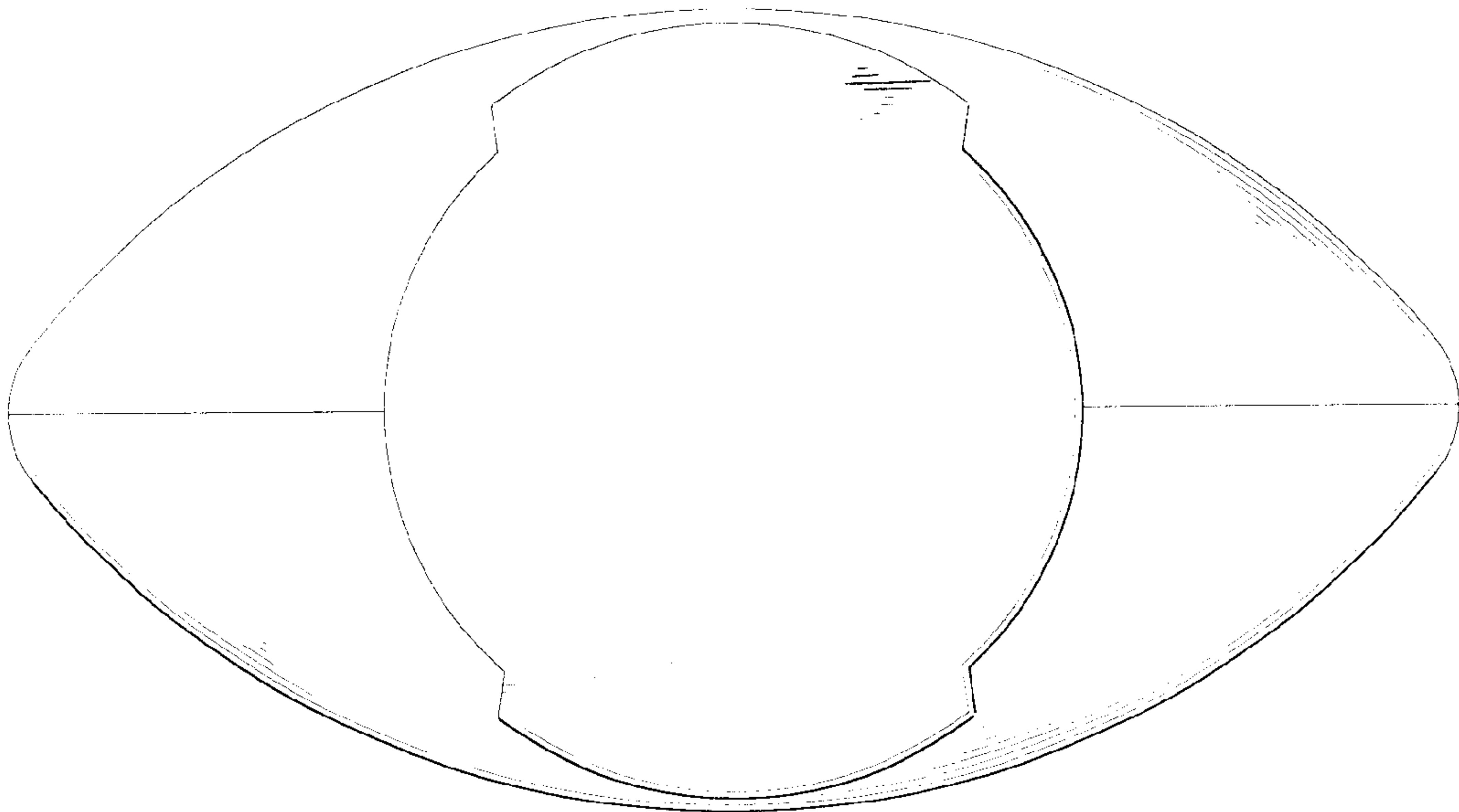


FIG. 7