

US00D516544S

(12) **United States Design Patent**
Motoishi

(10) **Patent No.: US D516,544 S**
(45) **Date of Patent: ** Mar. 7, 2006**

(54) **SPEAKER BOX**

(75) Inventor: **Takuya Motoishi**, Tokyo (JP)
(73) Assignee: **Sony Corporation**, Tokyo (JP)
(**) Term: **14 Years**

(21) Appl. No.: **29/213,283**

(22) Filed: **Sep. 16, 2004**

(51) **LOC (8) Cl. 14-01**

(52) **U.S. Cl. D14/215; D14/214**

(58) **Field of Classification Search D14/204,**
D14/207, 209–216, 356; 181/143–144, 147–148,
181/150, 157, 198–199, 151, 153; 381/300–302,
381/306, 333, 345, 361–364, 386–388, 332,
381/336

See application file for complete search history.

(56) **References Cited**

U.S. PATENT DOCUMENTS

D418,511 S	*	1/2000	Suzuki	D14/215
D434,751 S	*	12/2000	Sogabe et al.	D14/215
D439,239 S	*	3/2001	Ito et al.	D14/215
D460,958 S		7/2002	Suzuki		

OTHER PUBLICATIONS

Web page “S-G7” 1 sheet, Sony (Sep. 2004).
Web page “SRS-Z1000” 1 sheet, Sony Marketing (Japan)
Inc. (Sep. 2004).
Web page “CMT-HPX9” 1 sheet, Sony Latin America, Inc.
(Sep. 2004).

* cited by examiner

Primary Examiner—Nanda Bondade

(74) *Attorney, Agent, or Firm*—Rader, Fishman & Grauer
PLLC

(57) **CLAIM**

The ornamental design for a speaker box, as shown.

DESCRIPTION

FIG. 1 is a perspective view of a speaker box showing my
new design;
FIG. 2 is a front elevational view thereof;
FIG. 3 is a rear elevational view thereof;
FIG. 4 is a left side elevational view thereof;
FIG. 5 is a right side elevational view thereof;
FIG. 6 is a top plan view thereof; and,
FIG. 7 is a bottom view thereof.

1 Claim, 7 Drawing Sheets

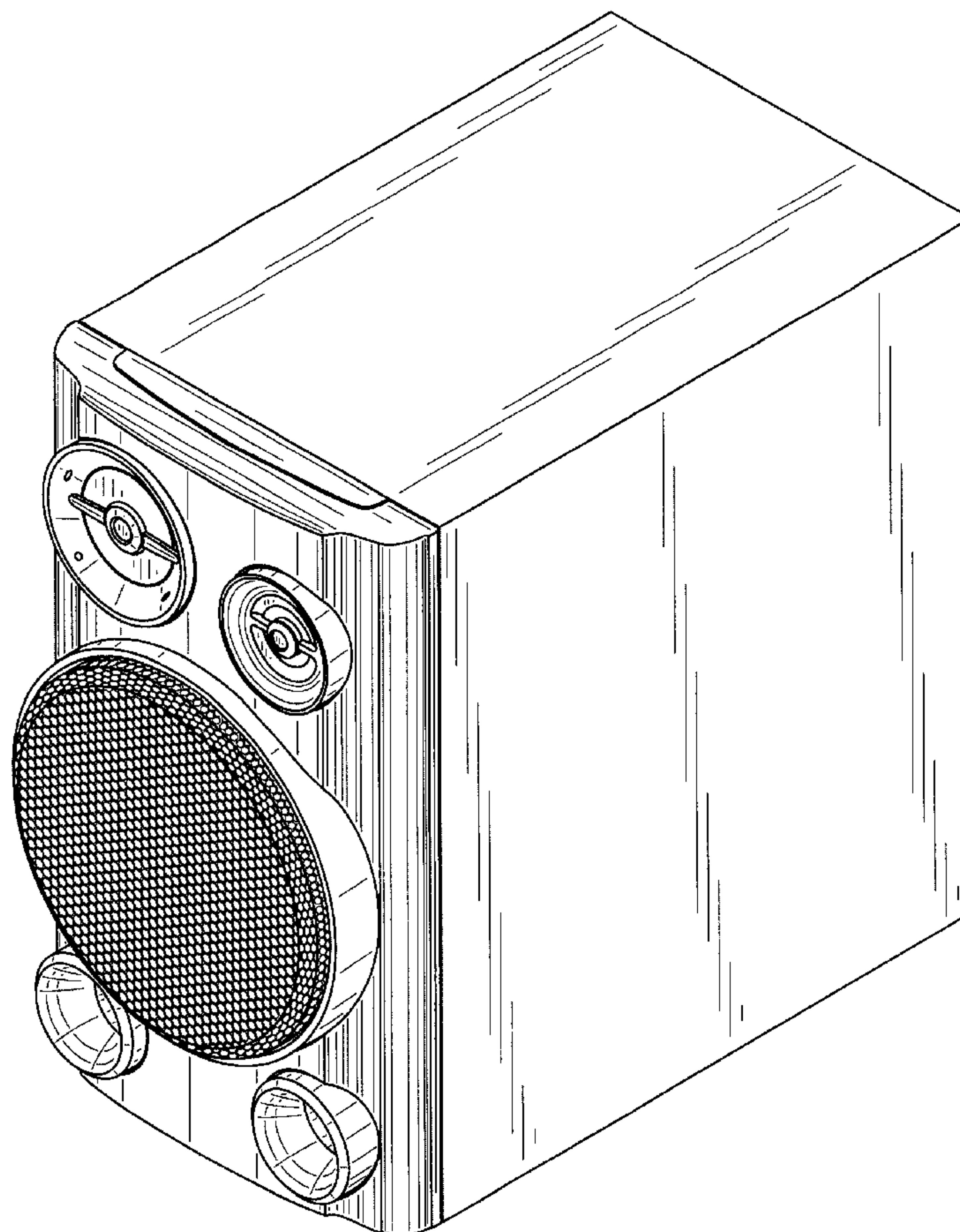


FIG. 1

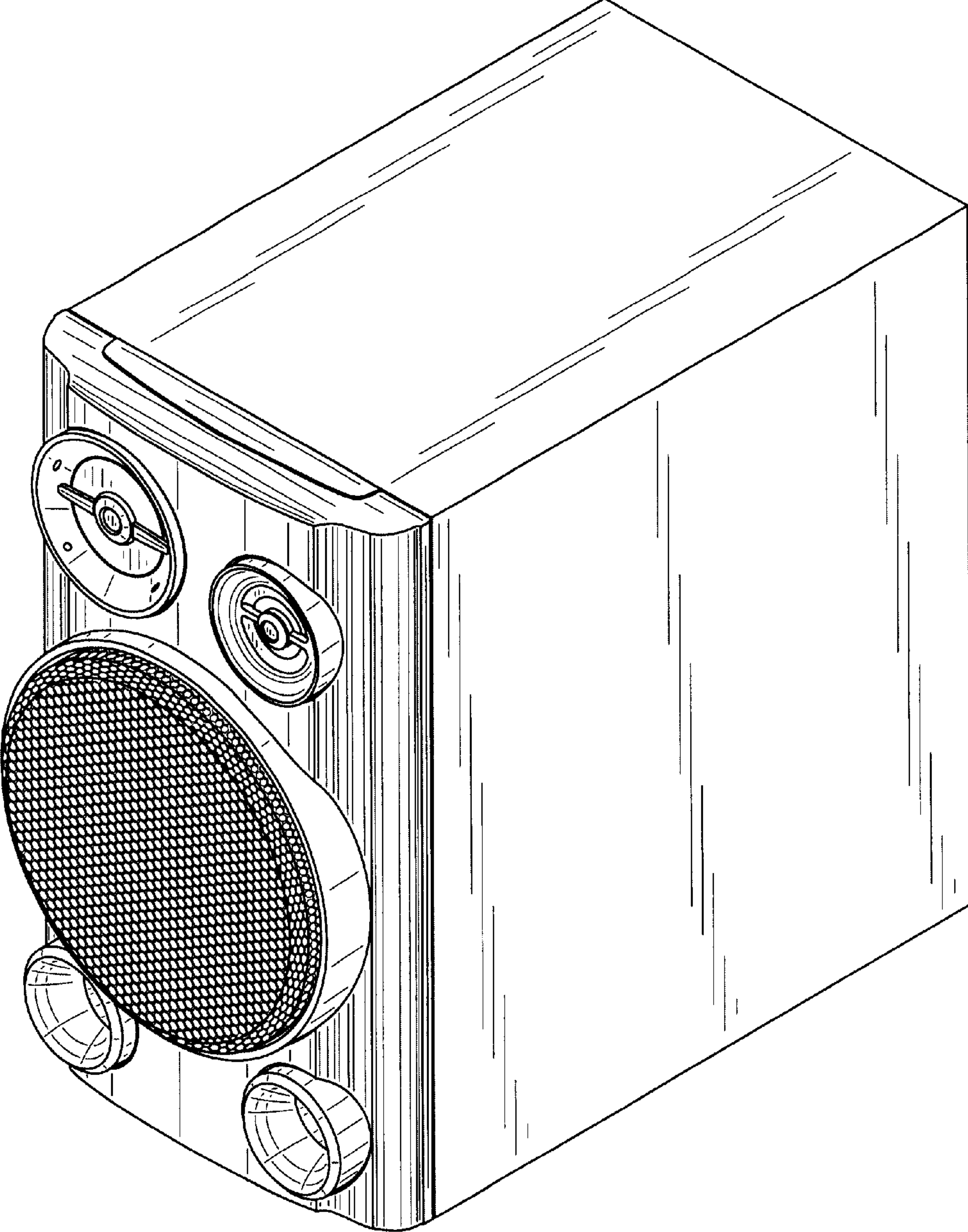


FIG.2

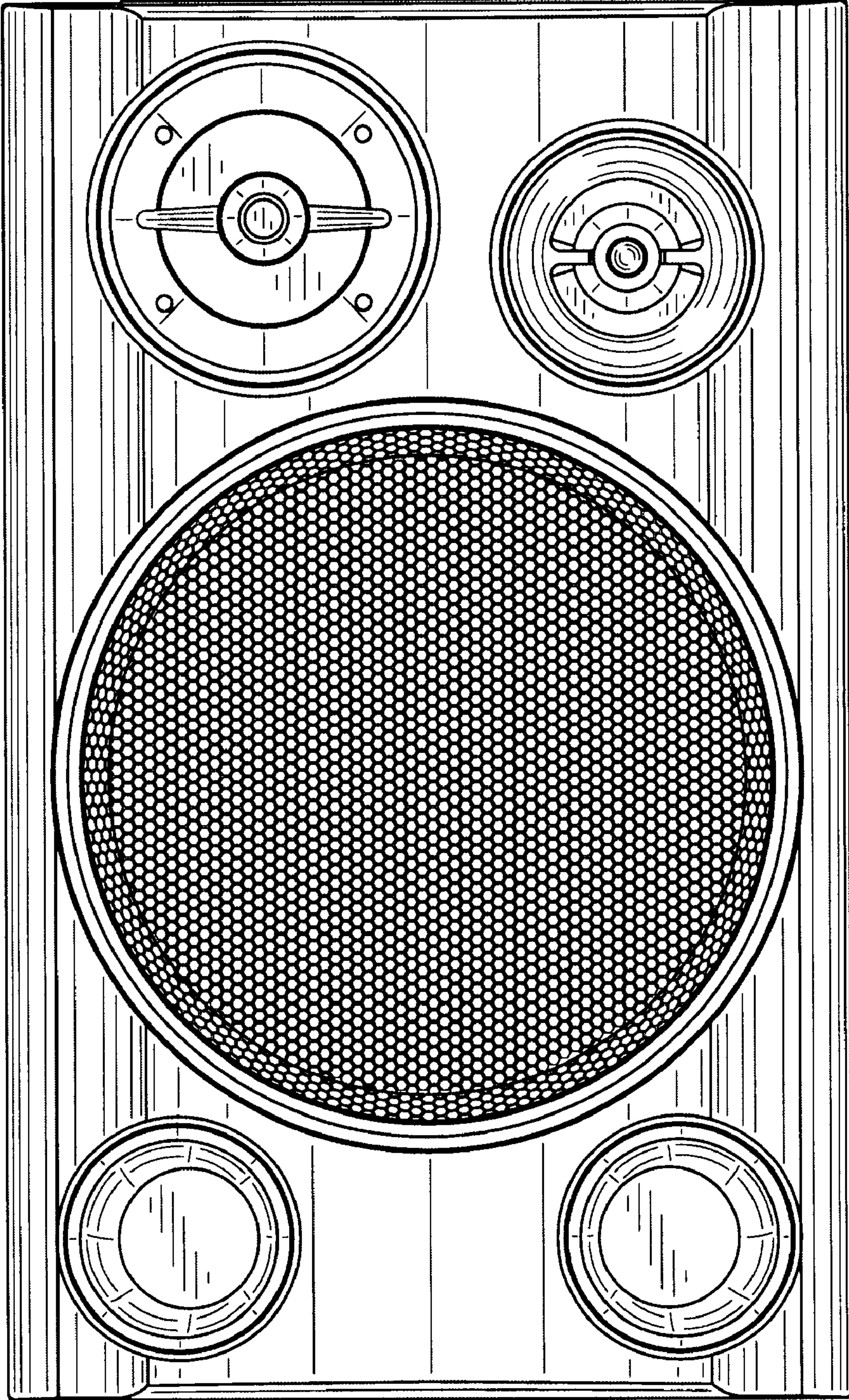


FIG.3

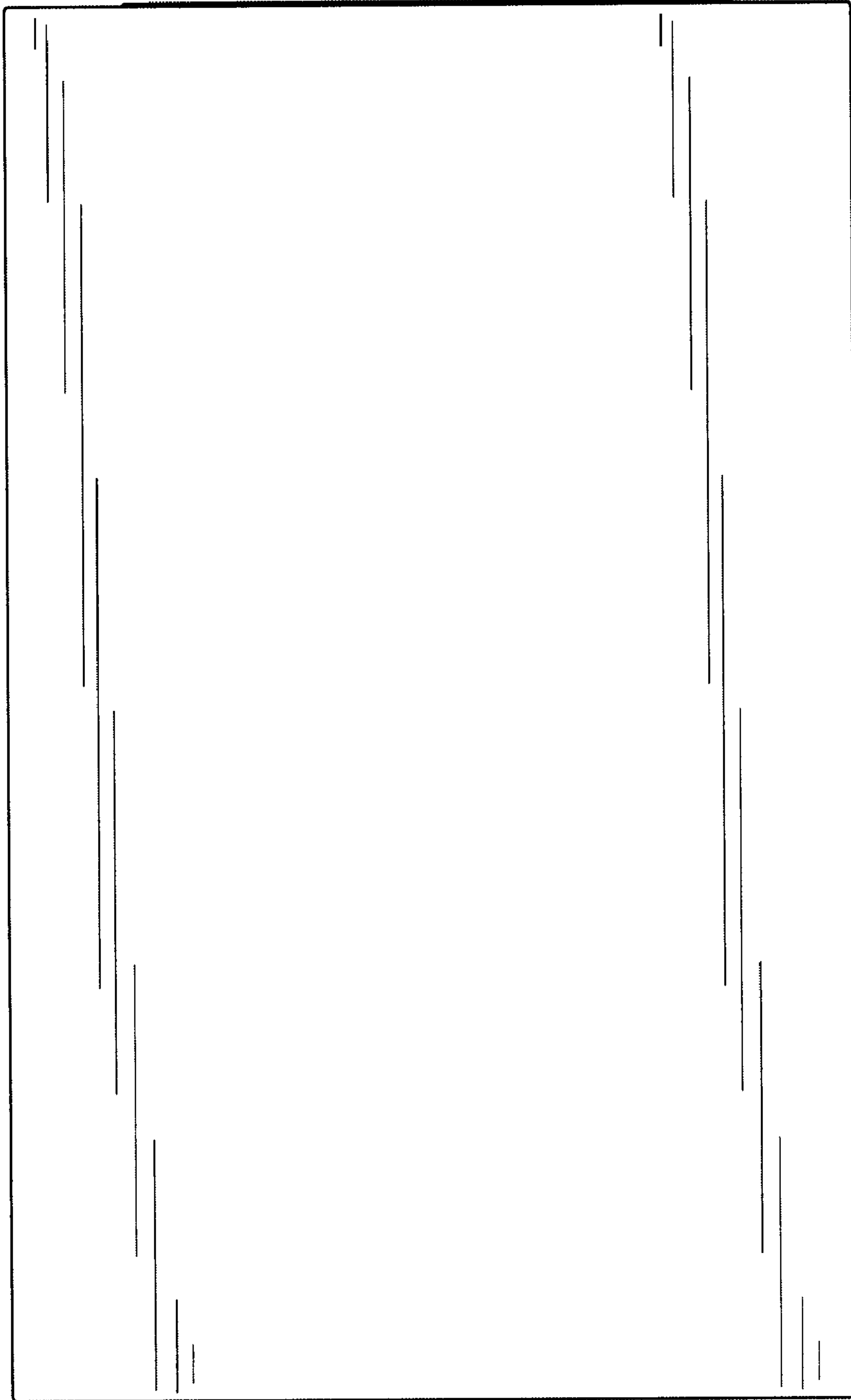


FIG.4

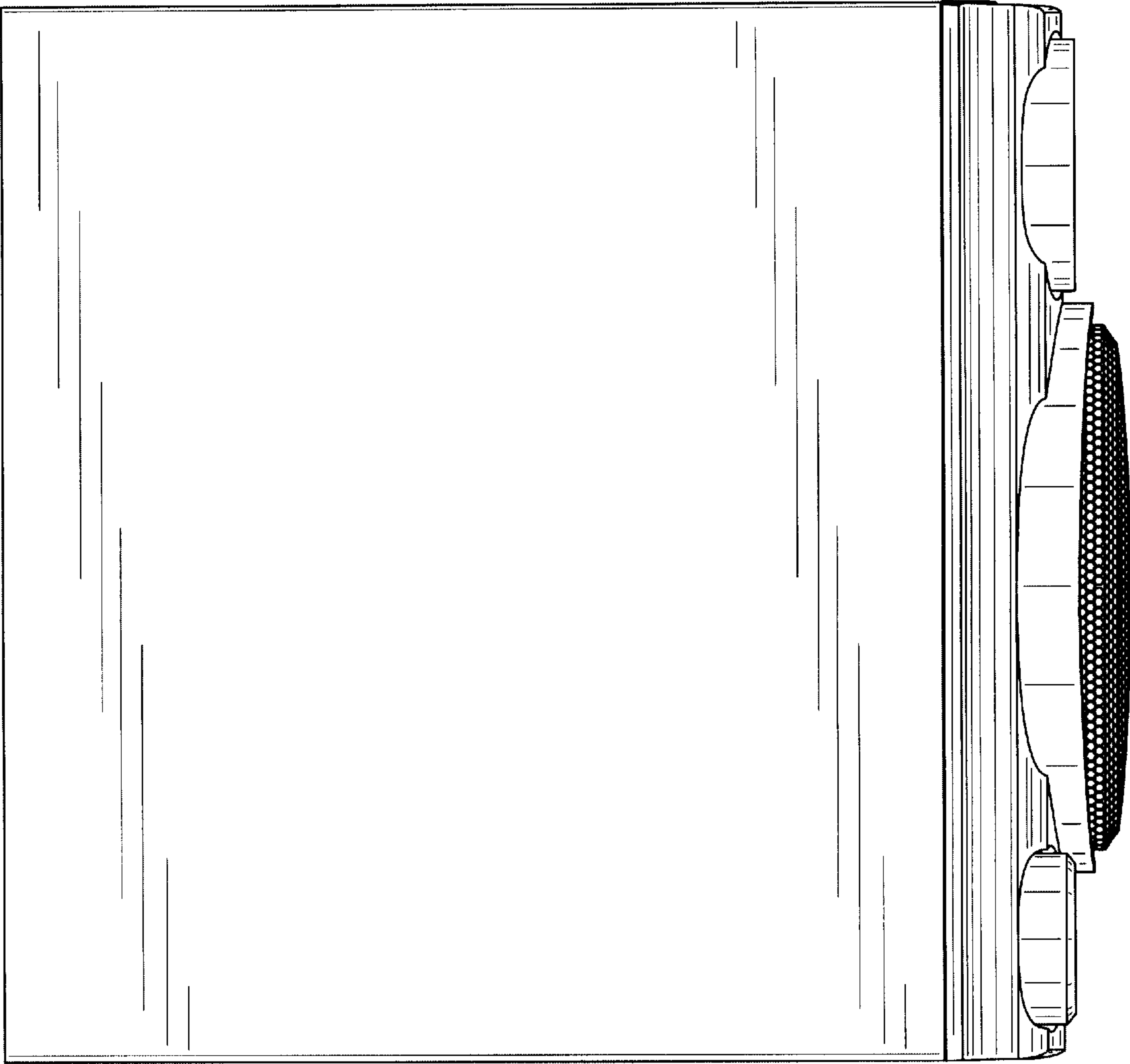


FIG.5

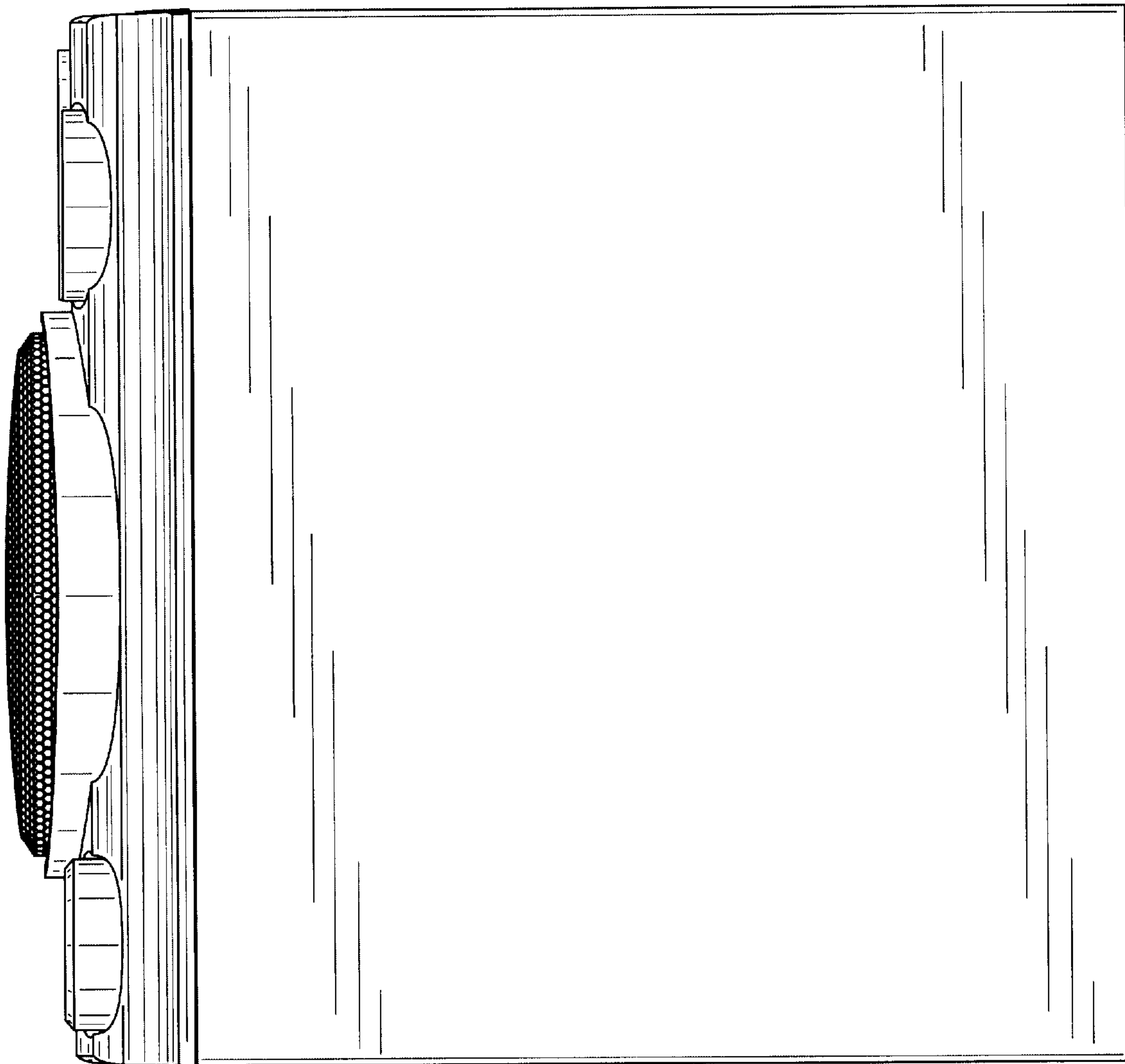


FIG.6

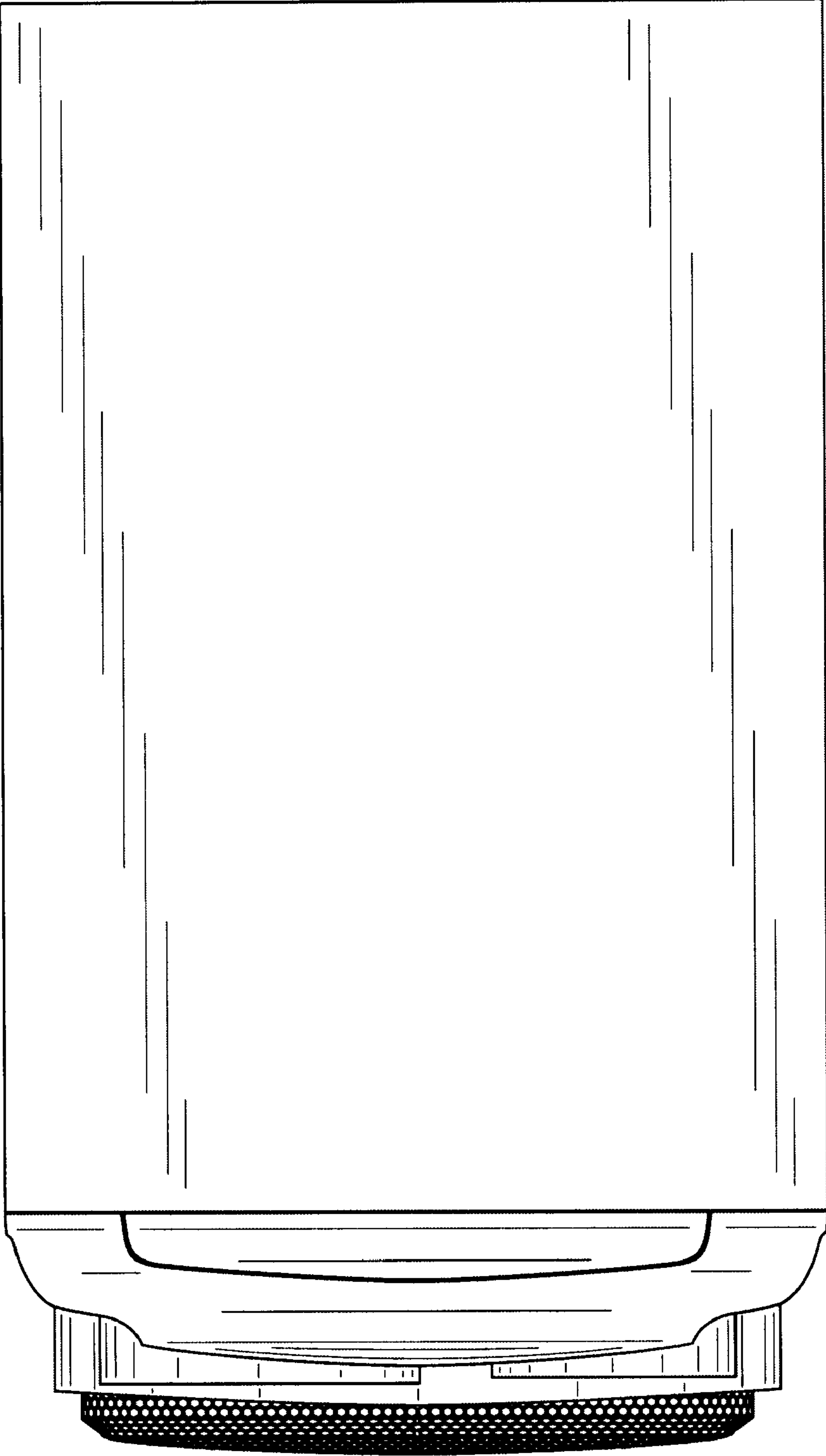


FIG.7

