



US00D516539S

(12) **United States Design Patent**
Masui

(10) **Patent No.:** **US D516,539 S**
(45) **Date of Patent:** **** Mar. 7, 2006**

(54) **COMBINED DISC PLAYER, RADIO RECEIVER AND TAPE RECORDER**

D473,206 S * 4/2003 Sasago et al. D14/168
D488,797 S * 4/2004 Hioki D14/168

(75) Inventor: **Kirio Masui**, Tokyo (JP)

(73) Assignee: **Sony Corporation**, Tokyo (JP)

(**) Term: **14 Years**

(21) Appl. No.: **29/221,231**

(22) Filed: **Jan. 14, 2005**

(51) **LOC (8) Cl.** **14-01**

(52) **U.S. Cl.** **D14/168**

(58) **Field of Classification Search** D14/135-136,
D14/160-168, 188, 197-198, 156-157; 455/100,
455/344, 346-351, 157.1, 350; 369/75.1,
369/75.2, 77.2

See application file for complete search history.

(56) **References Cited**

U.S. PATENT DOCUMENTS

D423,500 S 4/2000 Miyazaki
D424,058 S * 5/2000 Shudo D14/168
D435,535 S * 12/2000 Shudo et al. D14/168
D467,569 S 12/2002 Kobayashi
D468,718 S * 1/2003 Cuvelier D14/168

OTHER PUBLICATIONS

Web page MHC-GN880 <http://www.sony.com.mx/gn880/>,
1 sheet, Sony (Nov. 2004).

* cited by examiner

Primary Examiner—Nanda Bondade

(74) *Attorney, Agent, or Firm*—Rader, Fisman & Grauer
PLLC

(57) **CLAIM**

The ornamental design for a combined disc player, radio receiver and tape recorder, as shown.

DESCRIPTION

FIG. 1 is a perspective view of a combined disc player, radio receiver and tape recorder showing my new design; FIG. 2 is a front elevational view thereof; FIG. 3 is a rear elevational view thereof; FIG. 4 is a left side elevational view thereof; FIG. 5 is a right side elevational view thereof; FIG. 6 is a top plan view thereof; and, FIG. 7 is a bottom plan view thereof.

1 Claim, 4 Drawing Sheets

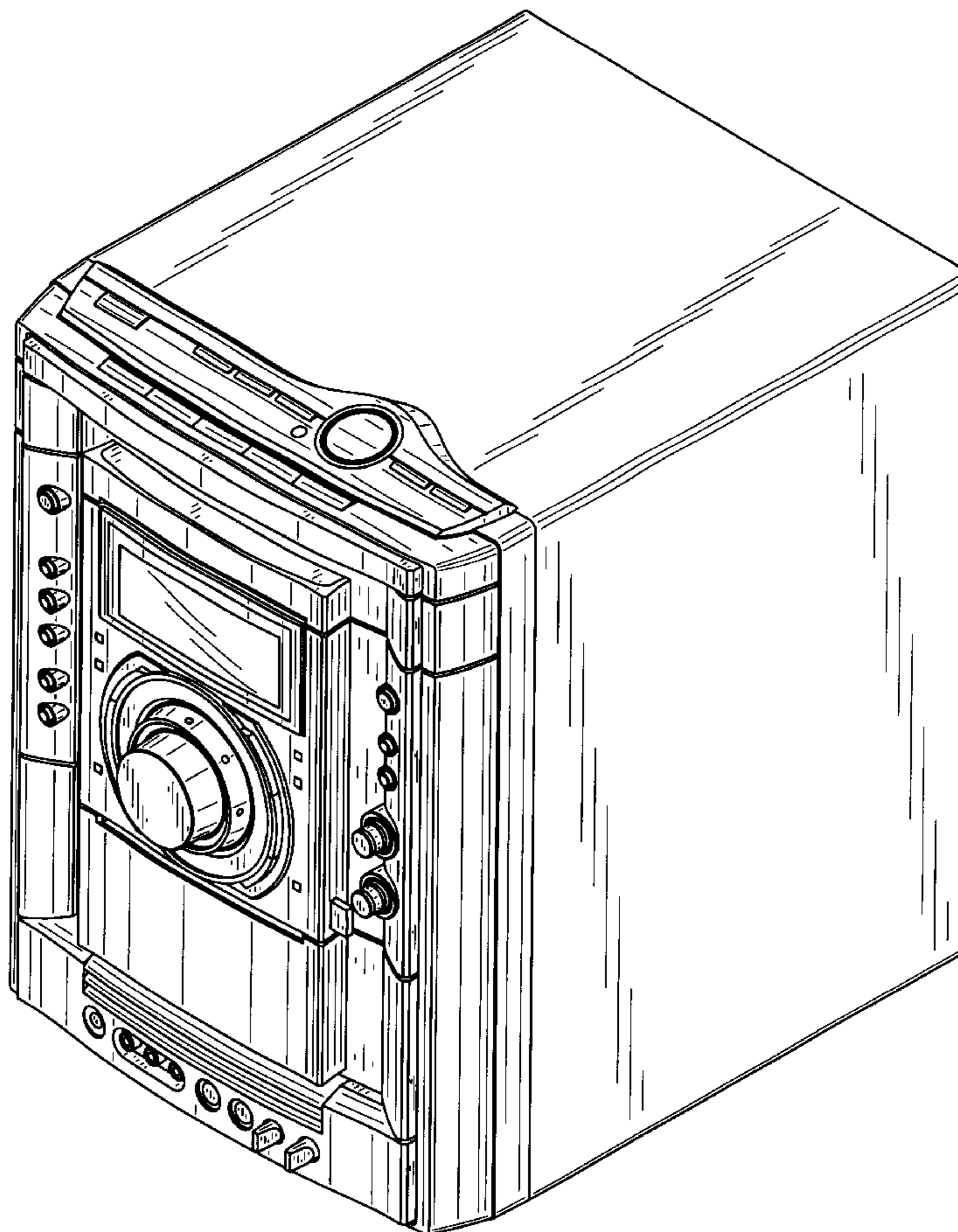


FIG.1

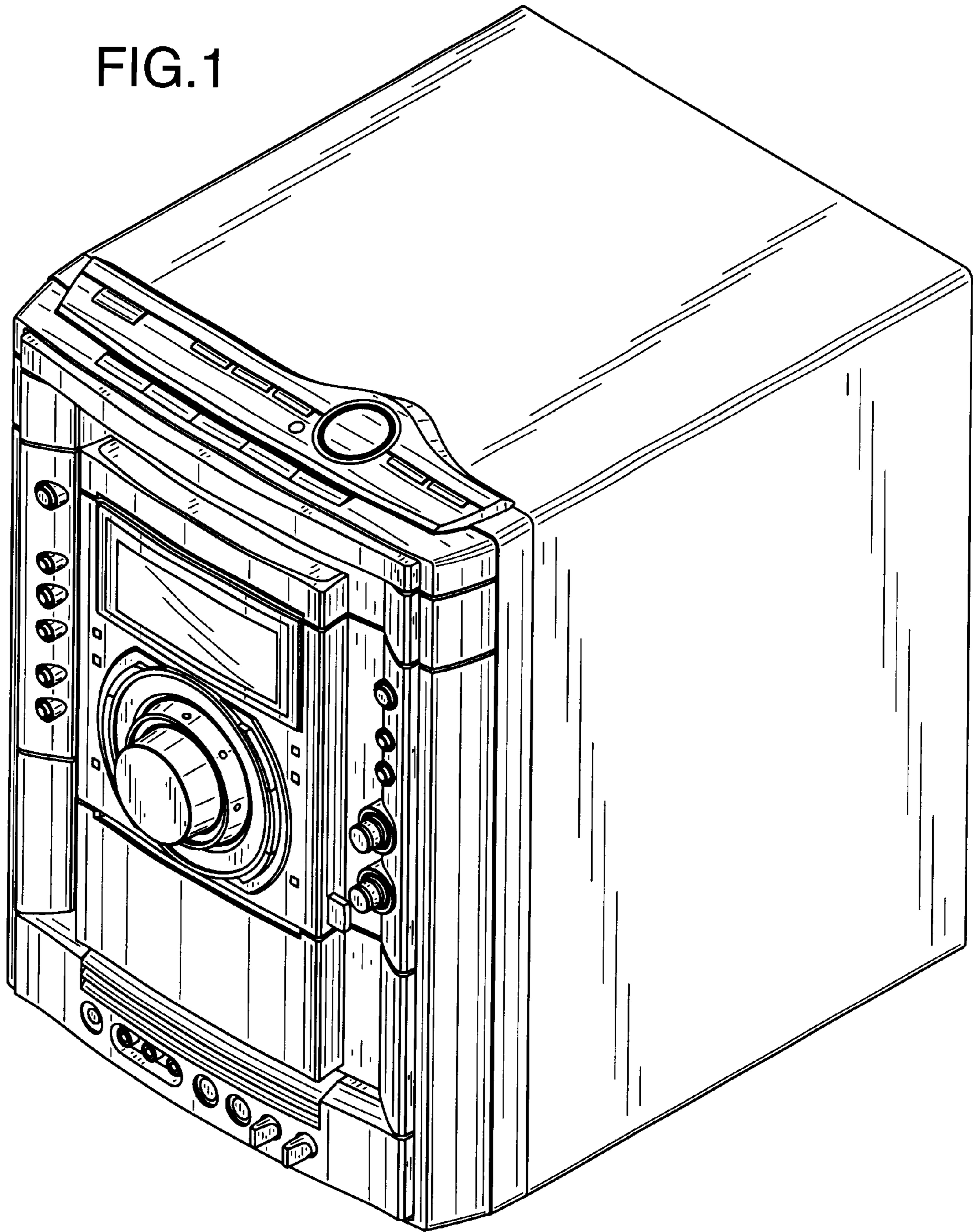


FIG.2

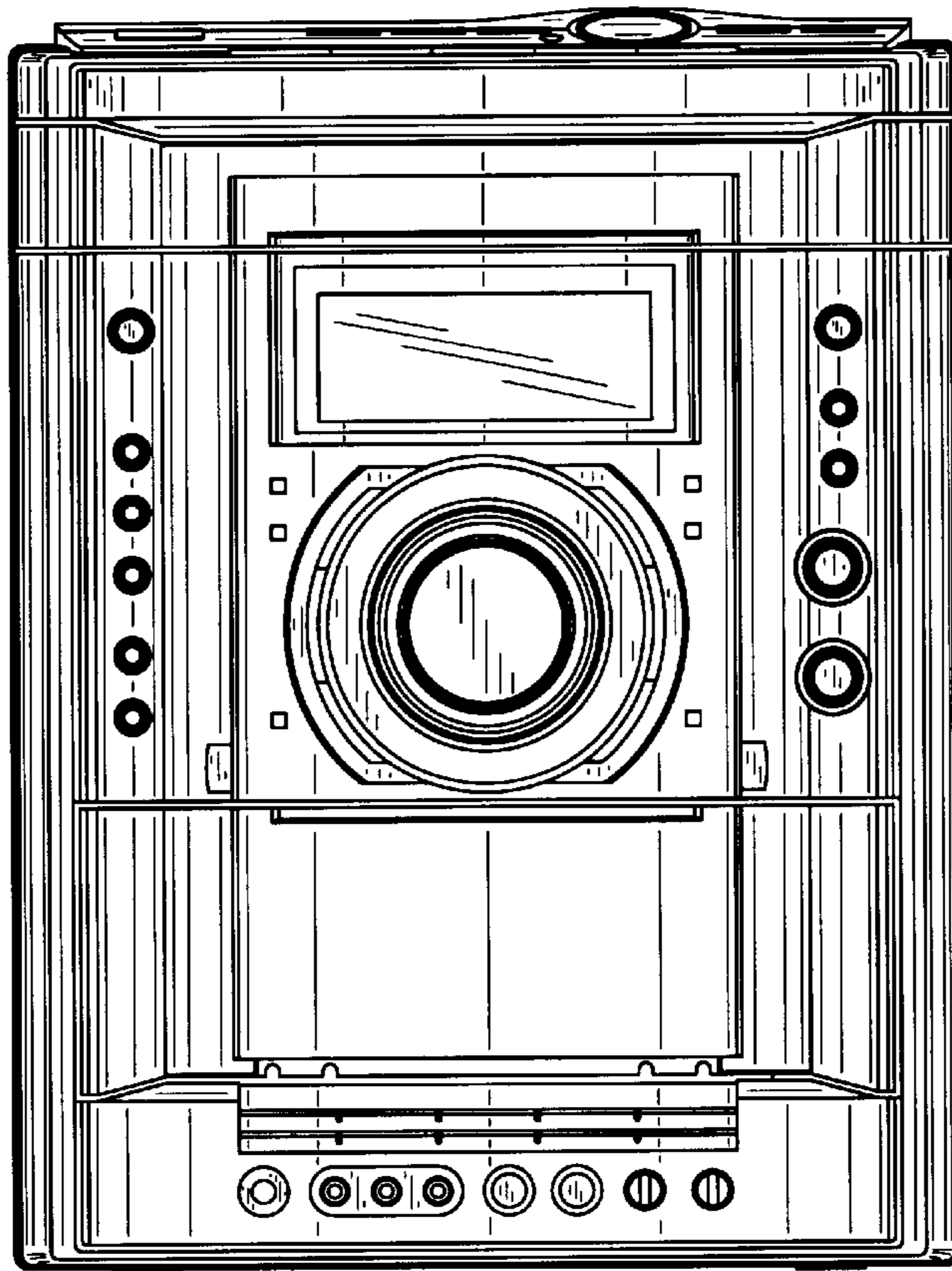


FIG.3

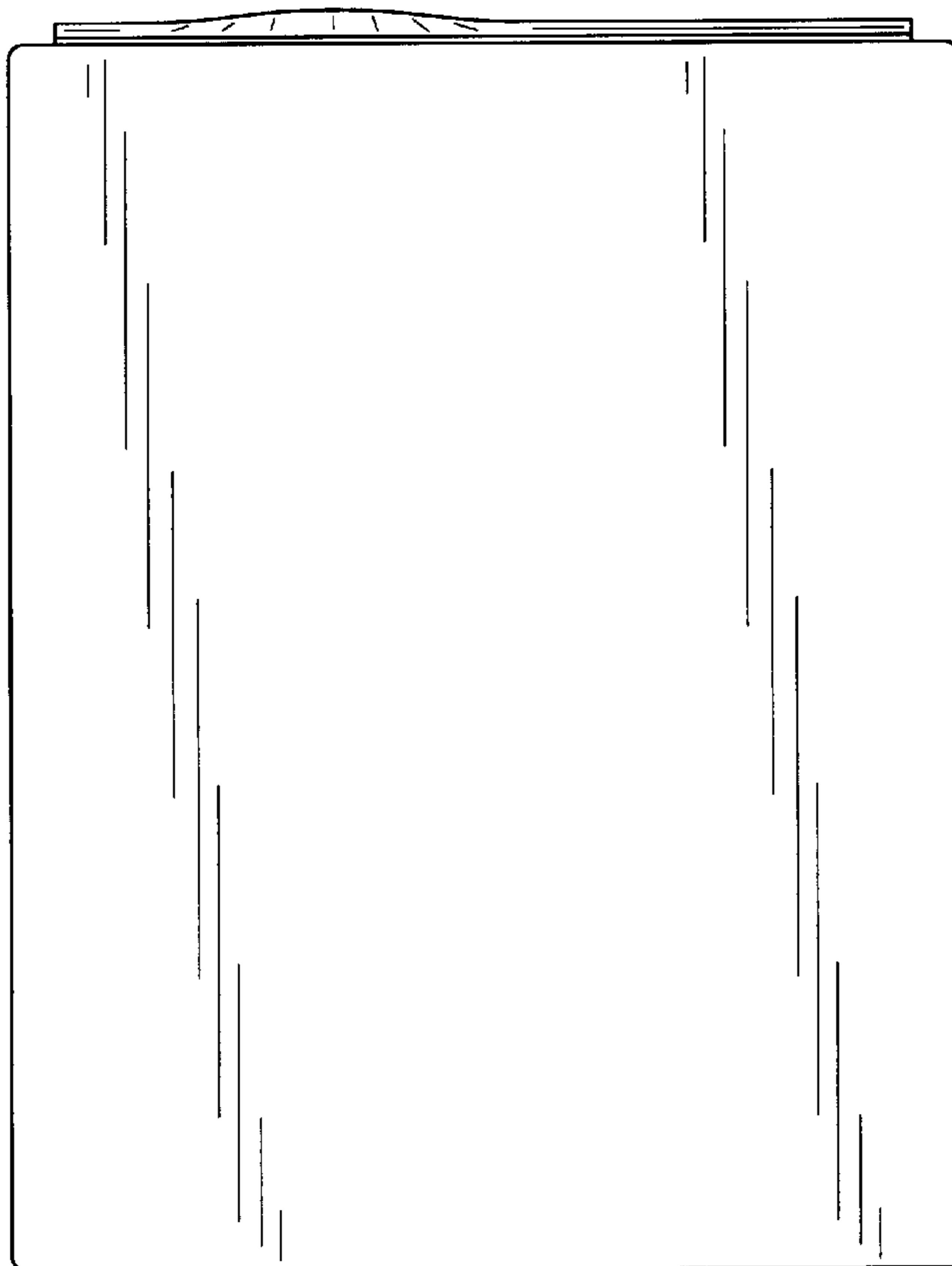


FIG.4

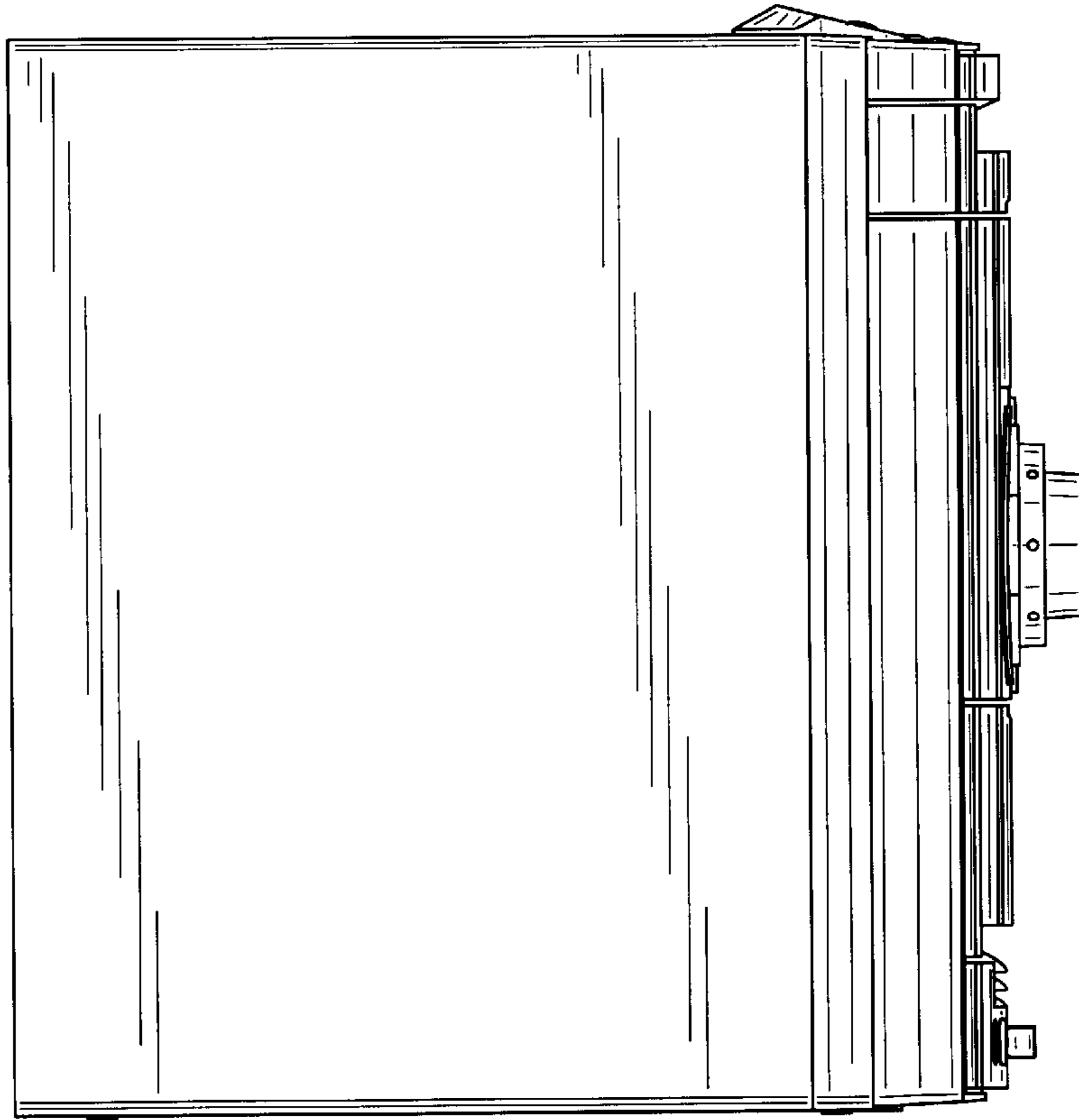


FIG.5

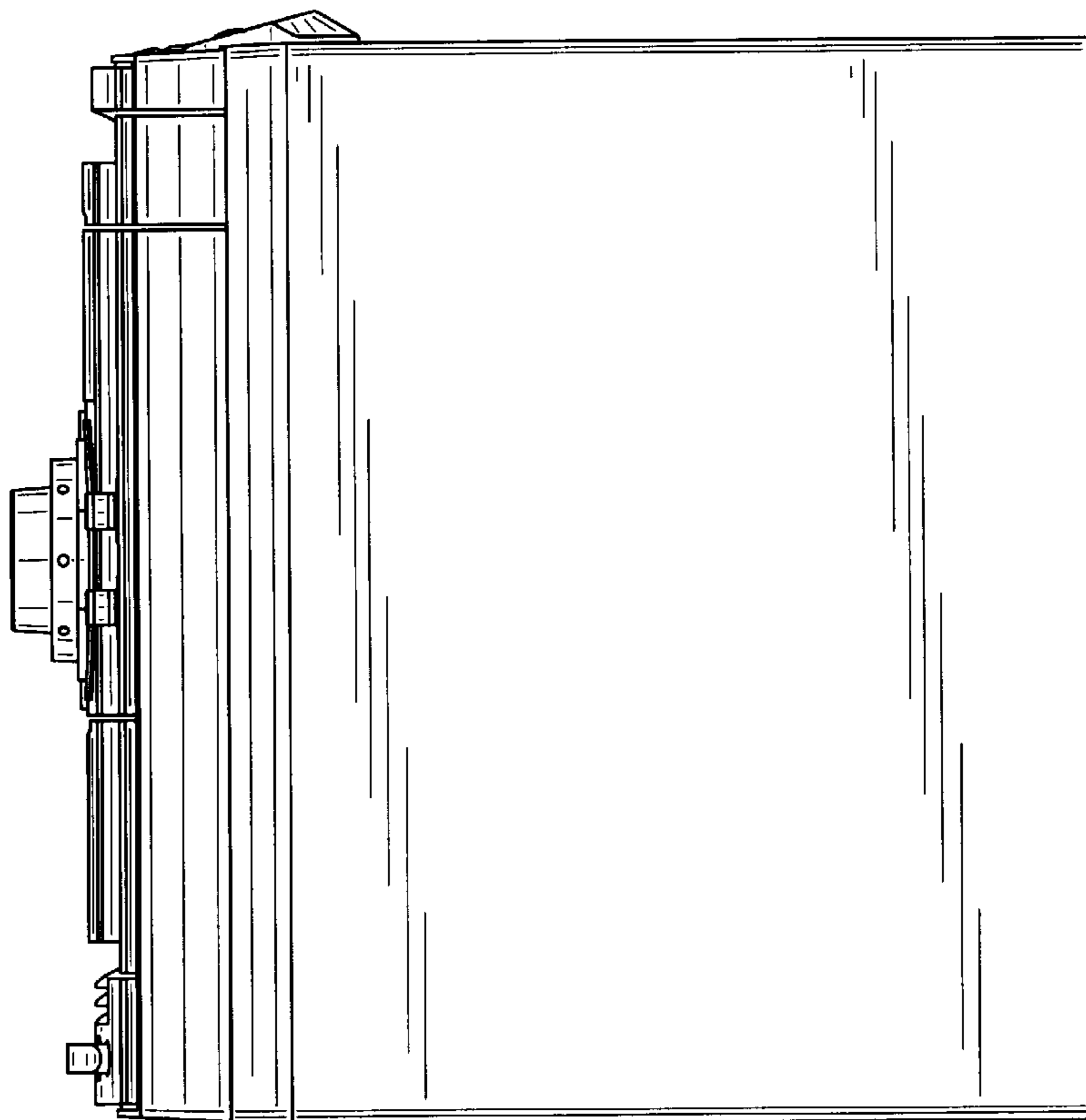


FIG.6

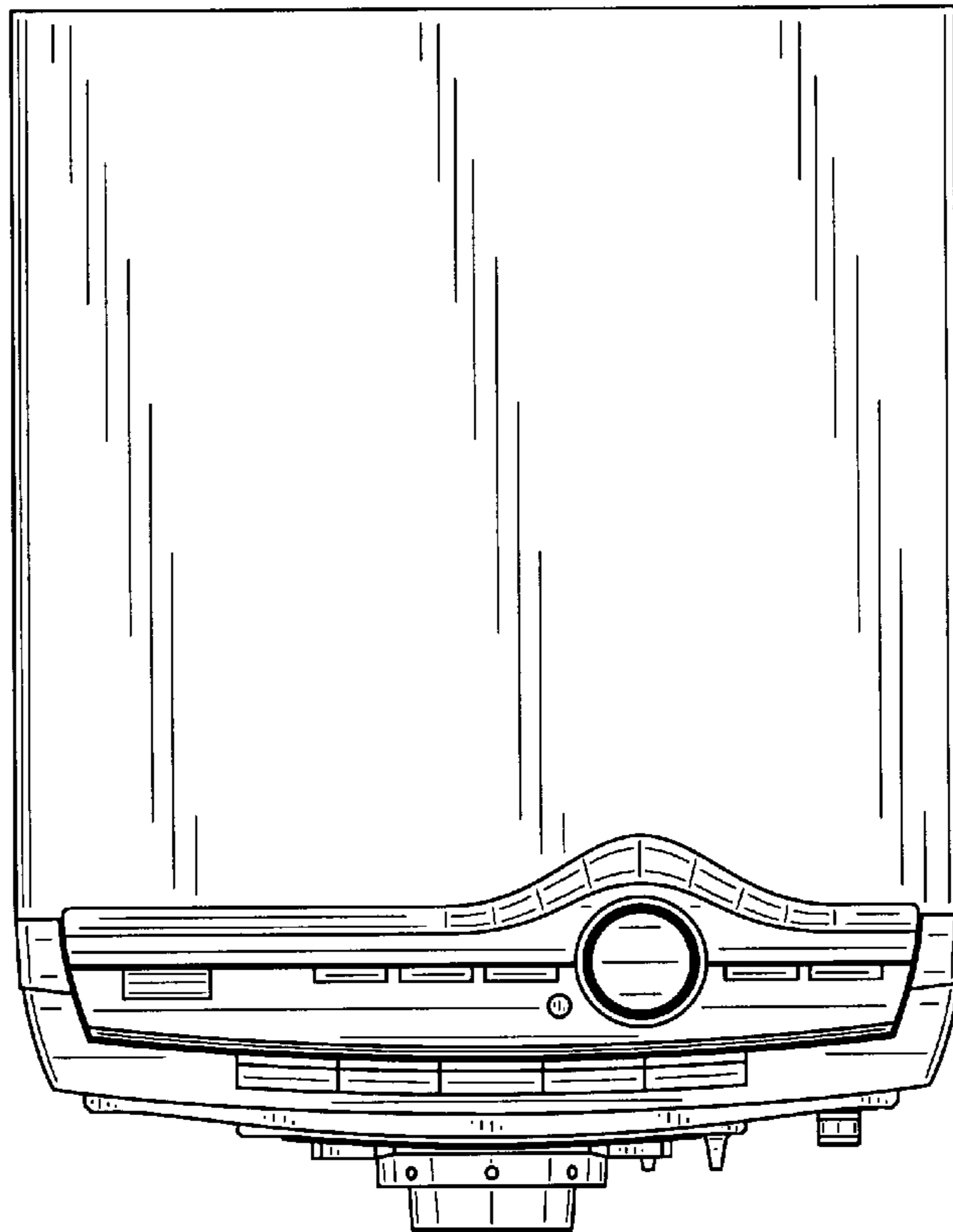


FIG.7

