

US00D516535S

(12) **United States Design Patent**  
**Barad**

(10) **Patent No.:** **US D516,535 S**  
(45) **Date of Patent:** **\*\* Mar. 7, 2006**

(54) **REMOTE ACTUATED ARTICLE IDENTIFICATION TAG**

(76) **Inventor:** **Beverly Barad**, 7766 Oak Bay Cir., Sacramento, CA (US) 95831

(\*\*) **Term:** **14 Years**

(21) **Appl. No.:** **29/228,519**

(22) **Filed:** **Apr. 25, 2005**

(51) **LOC (8) Cl.** ..... **14-03**

(52) **U.S. Cl.** ..... **D14/155; D10/121**

(58) **Field of Classification Search** ..... D21/329, D21/513; D14/225, 217, 137, 138, 218, 191; D10/104, 106, 121, 116; D3/230, 280; D13/184, D13/168; D8/333, 334; 70/57.1, 30; 340/539.3, 340/426.25, 426.24, 426.19, 426.1, 426.21; 455/84, 575.8; 206/305; 382/115, 118; 235/376; 713/185; 374/572.9

See application file for complete search history.

(56) **References Cited**

**U.S. PATENT DOCUMENTS**

D292,113 S	*	9/1987	Hsu	.....	D22/117
D342,260 S	*	12/1993	Sakata	.....	D14/218
D381,254 S	*	7/1997	Collins	.....	D8/333
D416,253 S	*	11/1999	Hibino	.....	D14/138

D416,910 S	*	11/1999	Vasquez	.....	D14/218
D448,273 S	*	9/2001	Lai	.....	D8/333
D448,757 S	*	10/2001	Okubo	.....	D14/218
D492,665 S	*	7/2004	Lee	.....	D14/218
D496,643 S	*	9/2004	Yoo et al.	.....	D14/138
2002/0083744 A1	*	7/2002	Lai	.....	70/30
2003/0156740 A1	*	8/2003	Siegel et al.	.....	382/115

\* cited by examiner

*Primary Examiner*—Cathron C. Brooks

*Assistant Examiner*—Austin Murphy

(74) *Attorney, Agent, or Firm*—Mark C. Jacobs, Esq.

(57) **CLAIM**

The ornamental design for remote actuated article identification tag, as shown and described.

**DESCRIPTION**

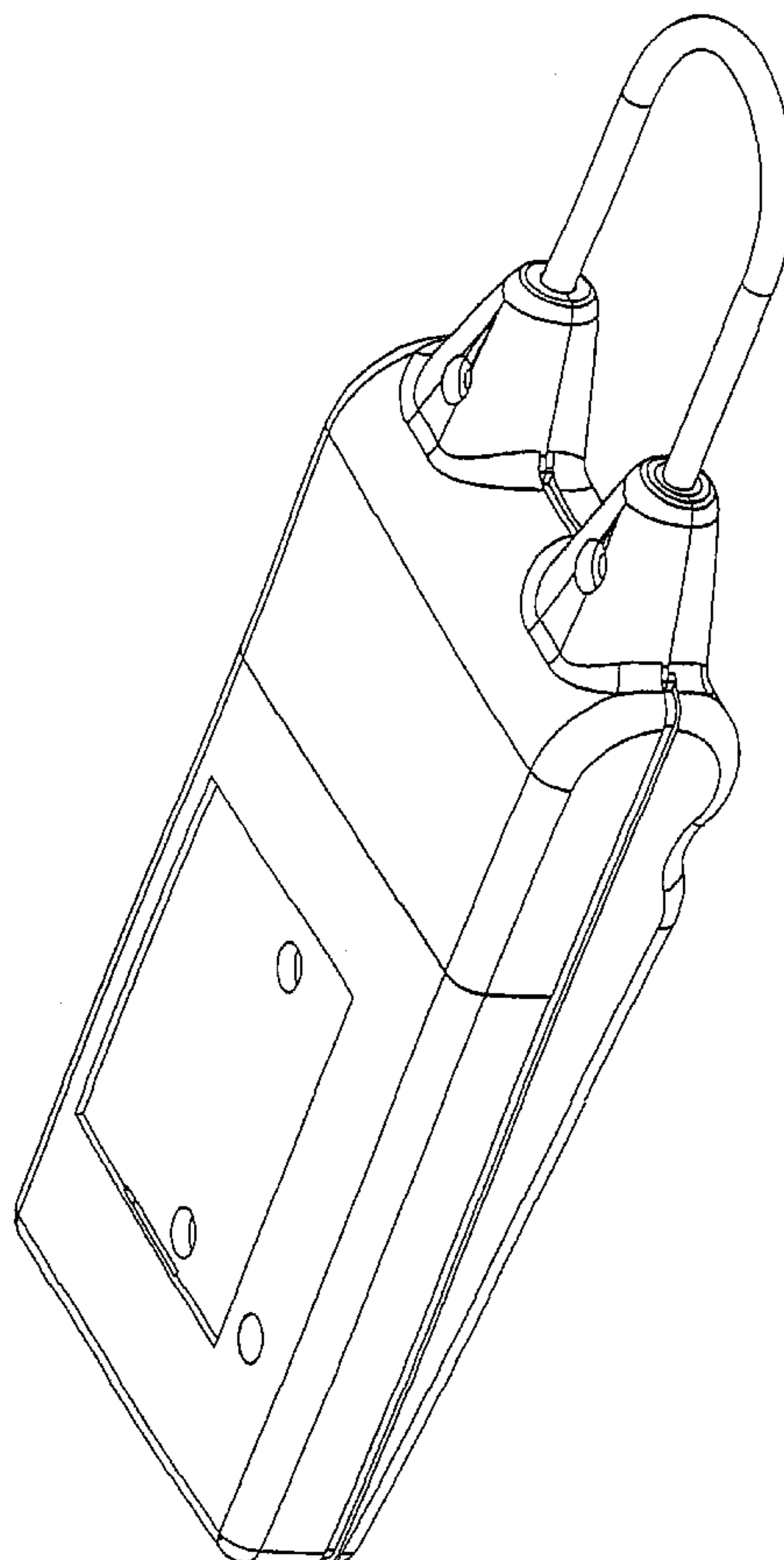
FIG. 1 is top right perspective view of a remote actuated identification tag.

FIG. 2 is a top left perspective view of a remote activated identification tag.

FIG. 3 is a bottom right perspective view of the identification tag of this design; and,

FIG. 4 is a bottom left perspective view of the identification tag of this design.

**1 Claim, 4 Drawing Sheets**



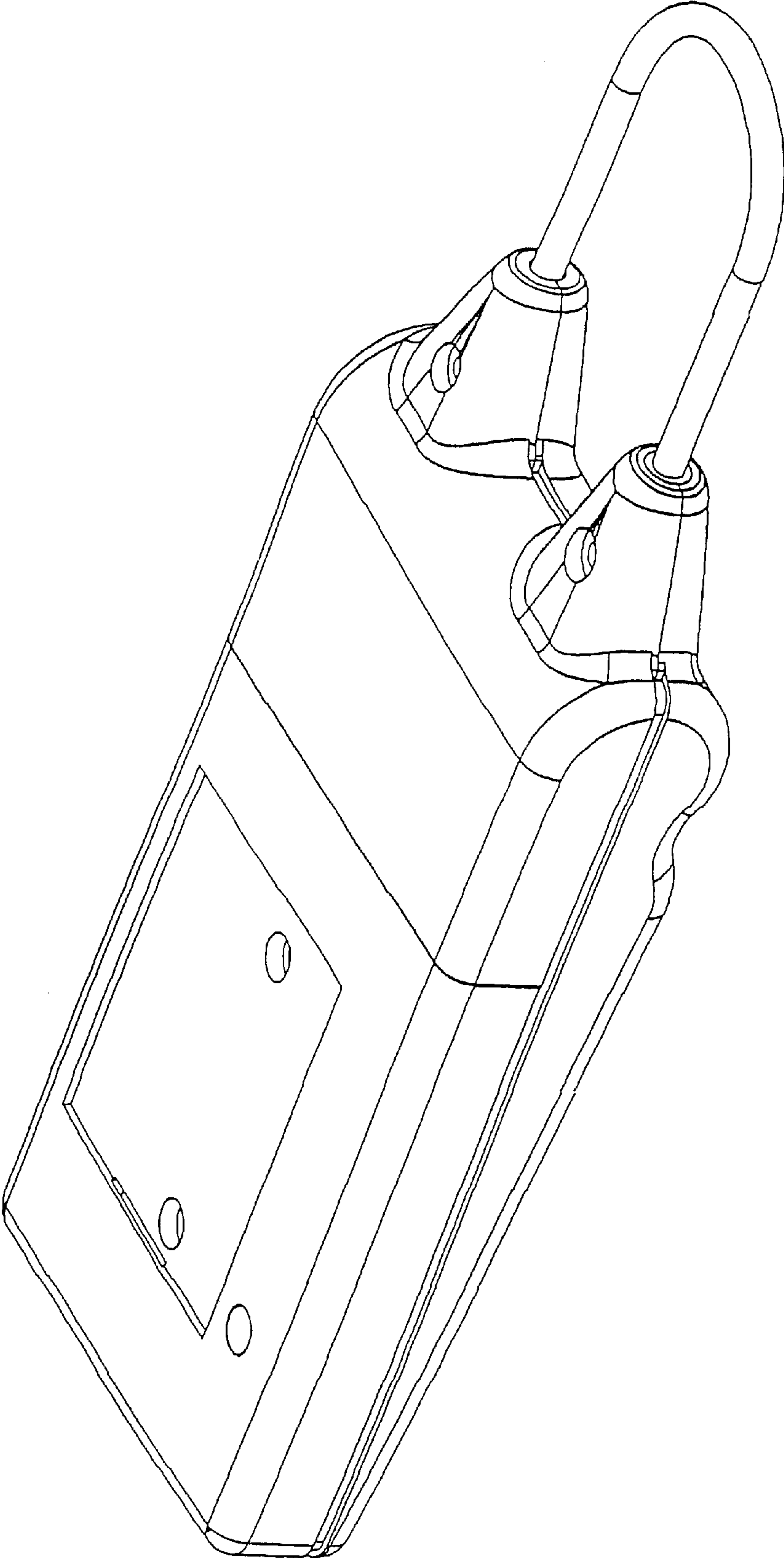


FIGURE 1

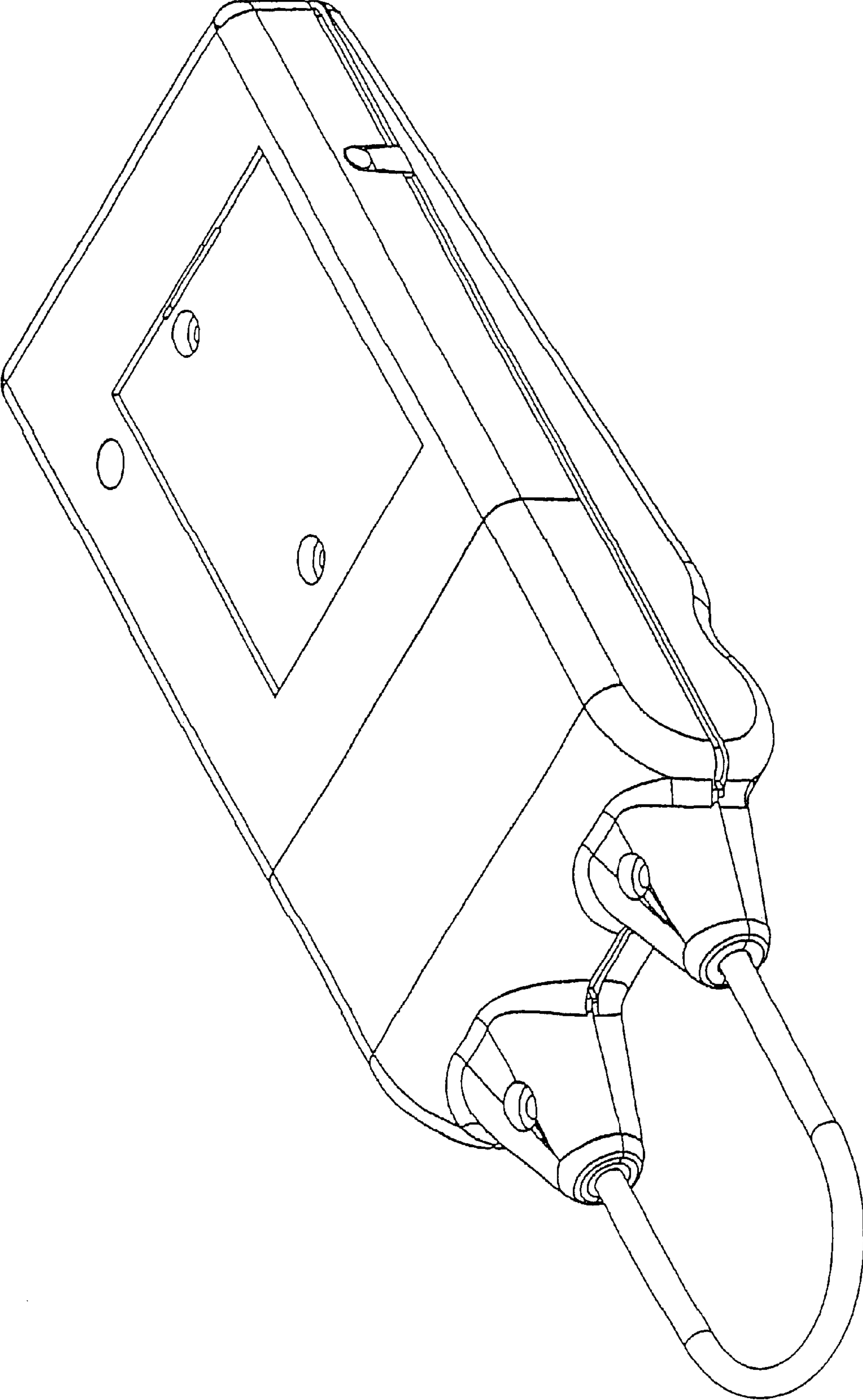


FIGURE 2

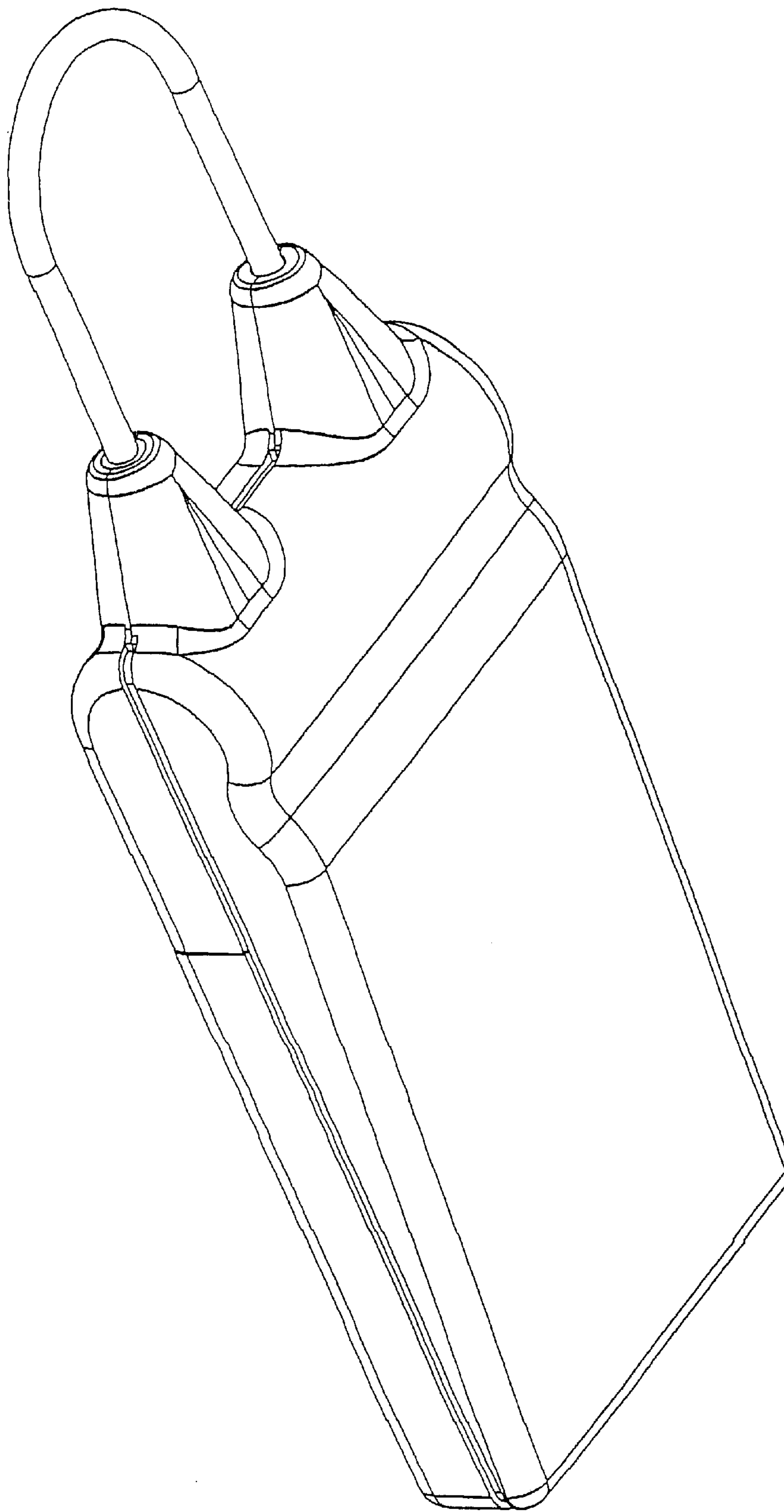


FIGURE 3

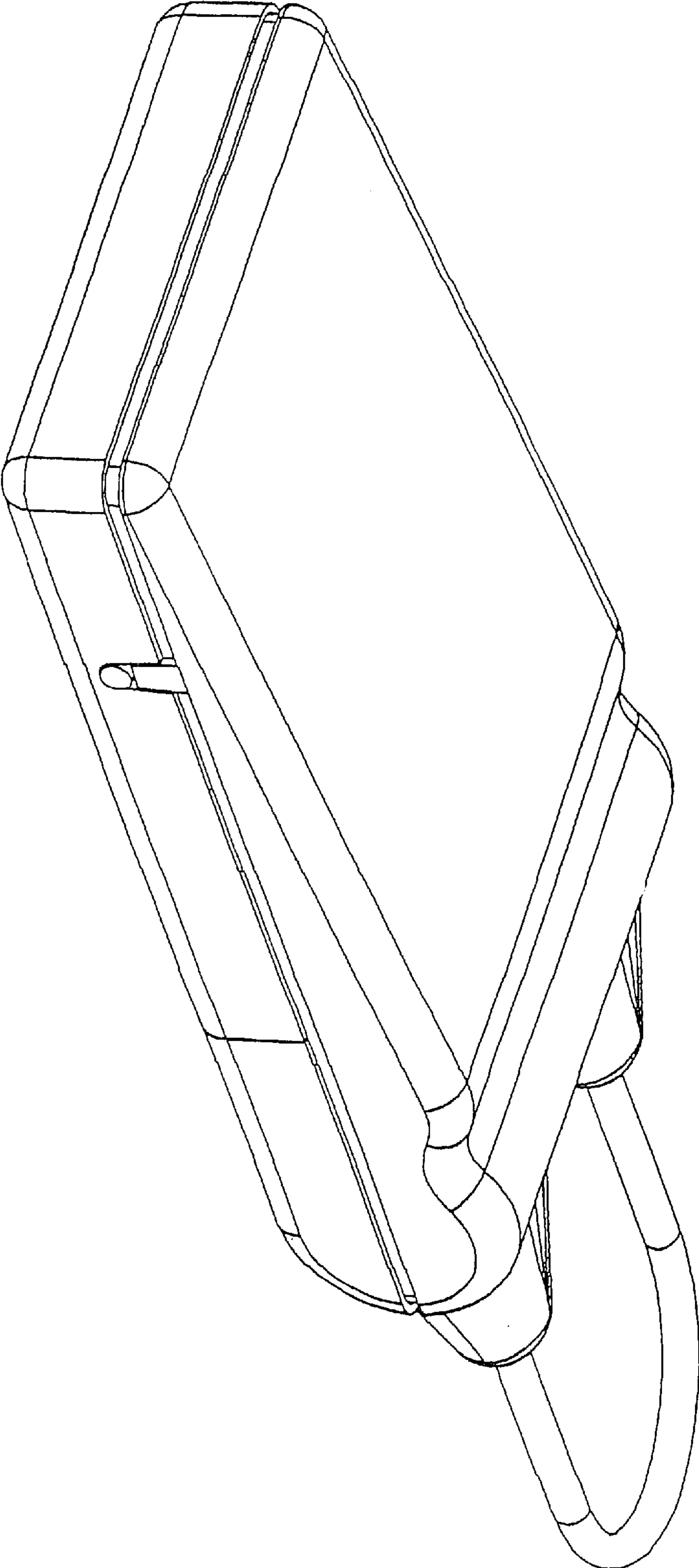


FIGURE 4