



US00D516532S

(12) **United States Design Patent**  
**Hunt et al.**

(10) **Patent No.: US D516,532 S**  
(45) **Date of Patent: \*\* Mar. 7, 2006**

(54) **PORTABLE CLAMSHELL  
COMMUNICATIONS DEVICE WITH  
CAMERA**

D489,699 S \* 5/2004 Hwang et al. .... D14/138  
D490,065 S \* 5/2004 Shimazu et al. .... D14/138

(Continued)

(75) Inventors: **Charles Hunt**, Wake Forest, NC (US);  
**Hans Eckholm**, Raleigh, NC (US);  
**Christopher Collins**, Cary, NC (US)

FOREIGN PATENT DOCUMENTS

JP 1174907 \* 6/2003

(73) Assignee: **Sony Ericsson Mobile  
Communications AB**, Lund (SE)

OTHER PUBLICATIONS

(\*\*) Term: **14 Years**

AT&T Wireless Brochure, *Phones that do something very cool—save you money. reachout© on the wireless service America trusts™*, 4 Sheets, date service first offered unknown but for examination purposes is stated to be before the earliest claimed priority date.

(21) Appl. No.: **29/219,066**

*Primary Examiner*—Jeffrey Asch

(22) Filed: **Dec. 10, 2004**

(74) *Attorney, Agent, or Firm*—Myers Bigel Sibley & Sajovec PA

**Related U.S. Application Data**

(62) Division of application No. 29/199,994, filed on Feb. 23, 2004, now Pat. No. Des. 501,455.

(57) **CLAIM**

The ornamental design for a portable clamshell communications device with camera, as shown and described.

(51) **LOC (8) Cl. .... 14-03**

(52) **U.S. Cl. .... D14/138**

(58) **Field of Classification Search** ..... D14/137,  
D14/138, 147–148, 247–248, 144, 341–347;  
379/433.01–433.13, 434; 455/550.1–90.3,  
455/575.3, 566, 575.1; D21/517; 345/169

See application file for complete search history.

**DESCRIPTION**

FIG. 1 front perspective view of the portable clamshell communications device with camera showing our design in a closed configuration;

(56) **References Cited**

**U.S. PATENT DOCUMENTS**

D418,504 S \* 1/2000 Frye et al. .... D14/138  
D450,046 S \* 11/2001 Chun ..... D14/138  
D460,057 S \* 7/2002 Hunt ..... D14/138  
D466,877 S \* 12/2002 Hawkins et al. .... D14/138  
D467,235 S \* 12/2002 Hawkins et al. .... D14/138  
D475,986 S \* 6/2003 Ng et al. .... D14/138  
D476,968 S \* 7/2003 Yokoyama ..... D14/138  
D477,296 S \* 7/2003 Minamide ..... D14/138  
6,633,749 B1 \* 10/2003 Kubo et al. .... 455/90.3  
D481,697 S \* 11/2003 Rausch et al. .... D14/138  
D485,818 S \* 1/2004 Yabe et al. .... D14/138  
D486,811 S \* 2/2004 Lheem ..... D14/138  
D487,443 S \* 3/2004 Yoon ..... D14/138  
D488,788 S \* 4/2004 Chan ..... D14/138

FIG. 2 is a front view thereof;

FIG. 3 is a side view thereof

FIG. 4 is an opposing side view thereof;

FIG. 5 is a rear view thereof;

FIG. 6 is first end view thereof;

FIG. 7 is an opposing end view thereof;

FIG. 8 is a front perspective view of the portable clamshell communications device with camera in an open configuration;

FIG. 9 is a front view thereof;

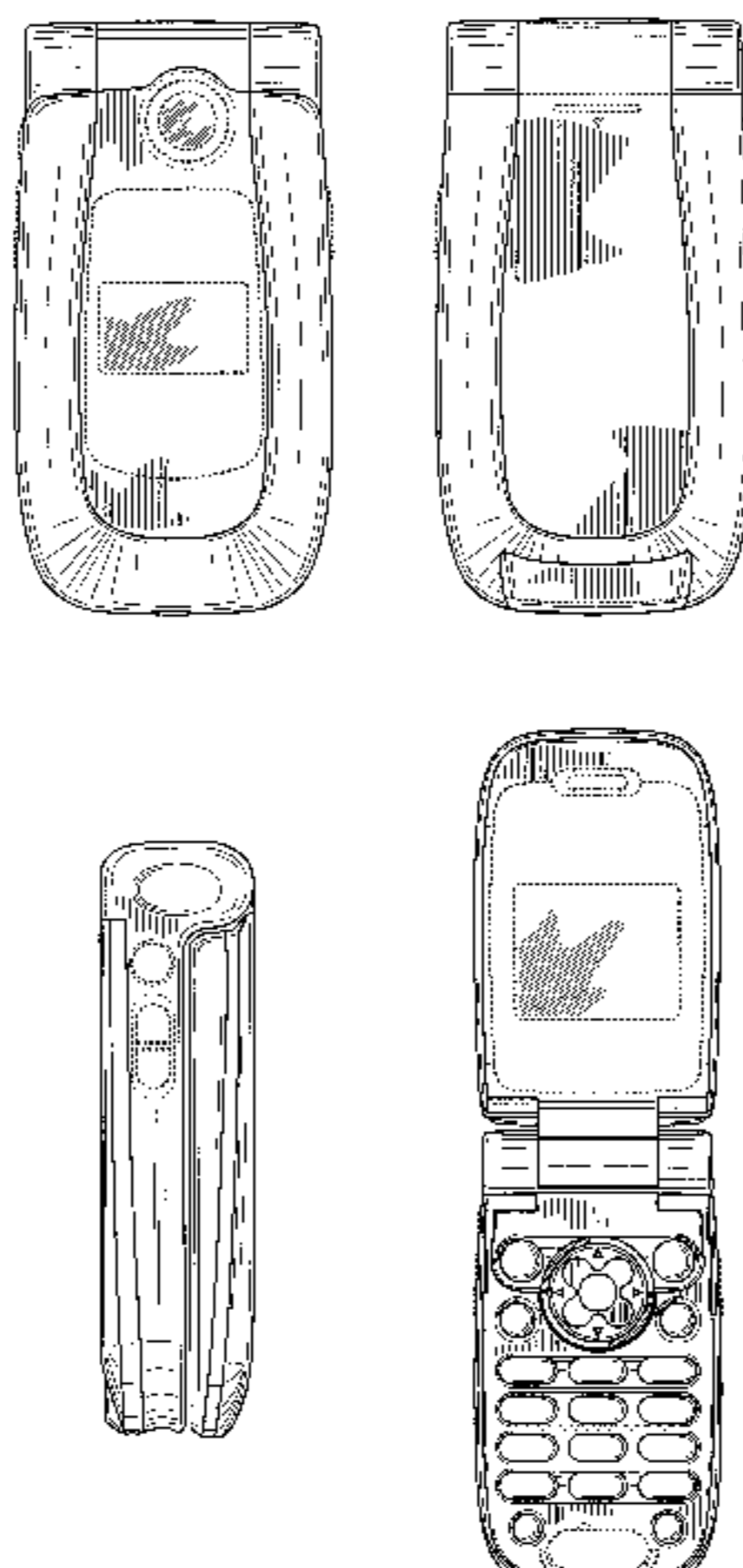
FIG. 10 is a side view thereof;

FIG. 11 is an opposing side view thereof; and,

FIG. 12 is a rear view thereof.

The broken lines shown herein are for illustrative purposes only and form no part of the claimed design. The illustrated device is not limited to the scale shown.

**1 Claim, 6 Drawing Sheets**



# US D516,532 S

Page 2

---

## U.S. PATENT DOCUMENTS

D490,792 S	*	6/2004	Lee	.....	D14/138	D496,021 S	*	9/2004	Jang	.....	D14/138
D491,546 S	*	6/2004	Tien et al.	.....	D14/138	D498,222 S	*	11/2004	Liang	.....	D14/138
D491,908 S	*	6/2004	Son	.....	D14/138	D500,016 S	*	12/2004	Kim	.....	D14/138
D493,439 S	*	7/2004	Hong et al.	.....	D14/138	D501,455 S	*	2/2005	Hunt et al.	.....	D14/138
D494,946 S	*	8/2004	Rausch et al.	.....	D14/138	2002/0006809 A1	*	1/2002	Kubo et al.	.....	455/550
D495,672 S	*	9/2004	Jeon et al.	.....	D14/138	2003/0030624 A1	*	2/2003	Aoyama	.....	345/168
D496,014 S	*	9/2004	Lodato et al.	.....	D14/138	2004/0132513 A1	*	7/2004	Taneda et al.	.....	455/575.3
D496,019 S	*	9/2004	Okada et al.	.....	D14/138	2004/0142734 A1	*	7/2004	Kim	.....	455/575.1

\* cited by examiner

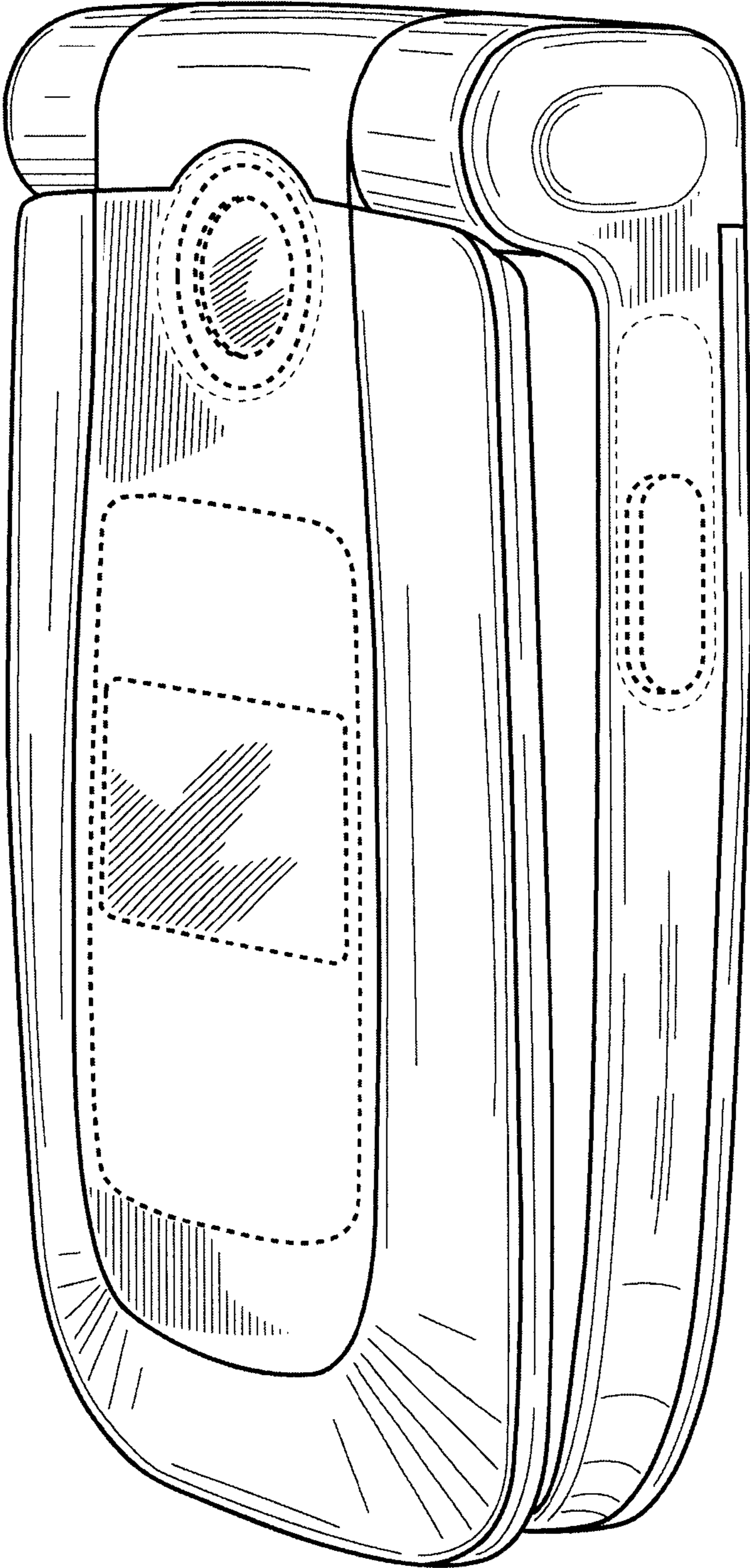


FIGURE 1

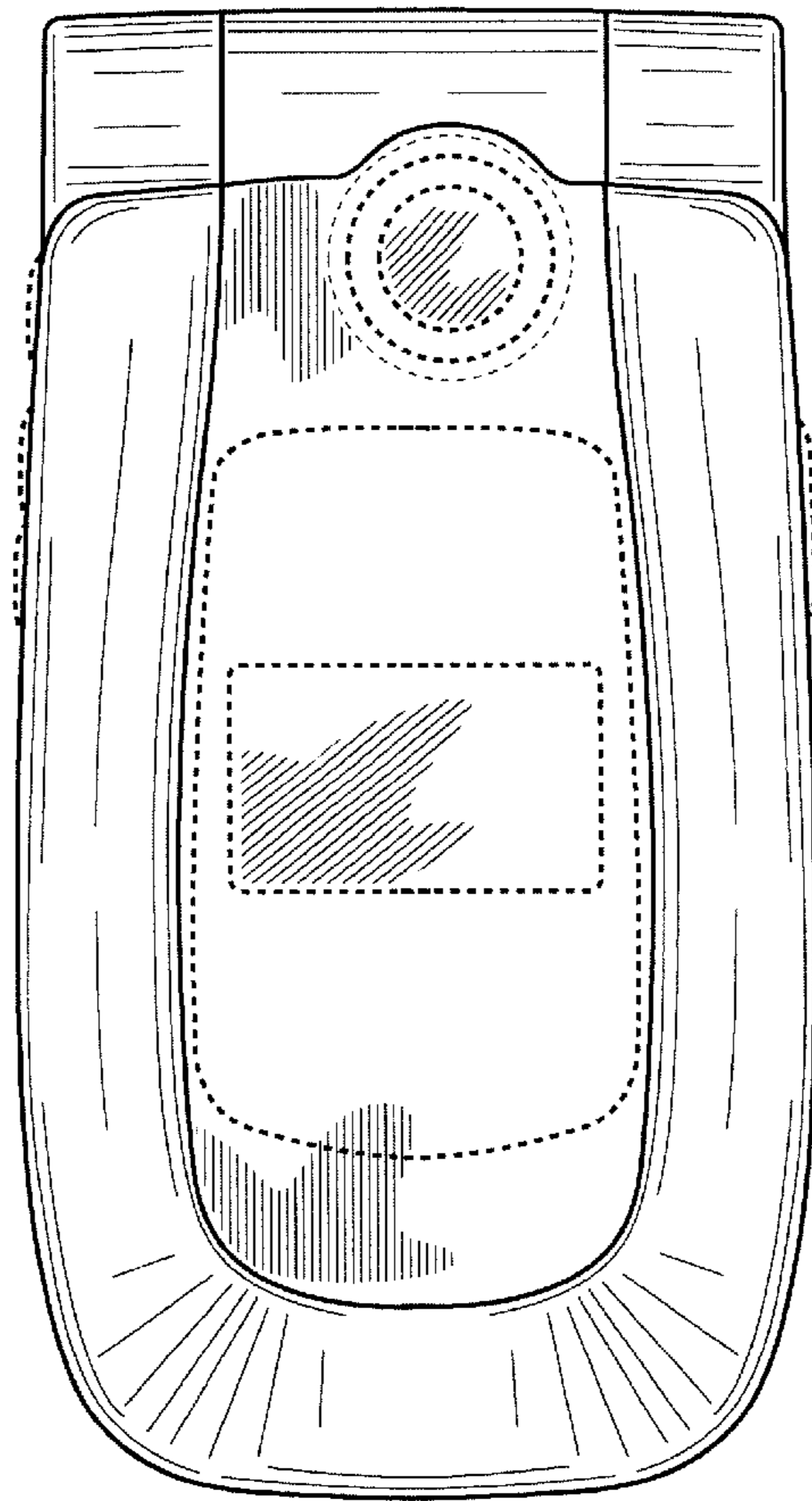


FIGURE 2

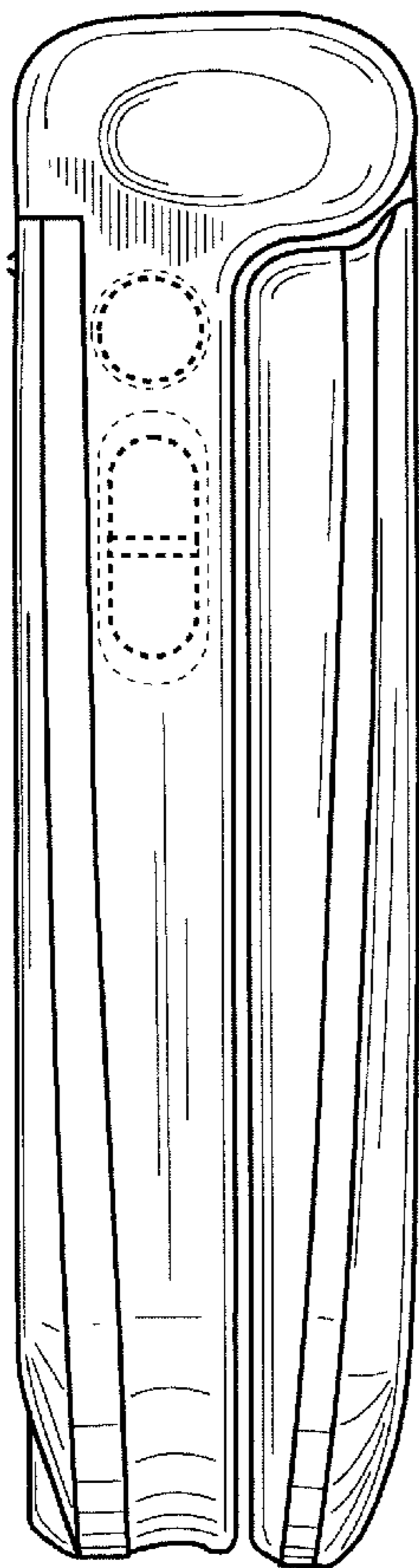


FIGURE 3

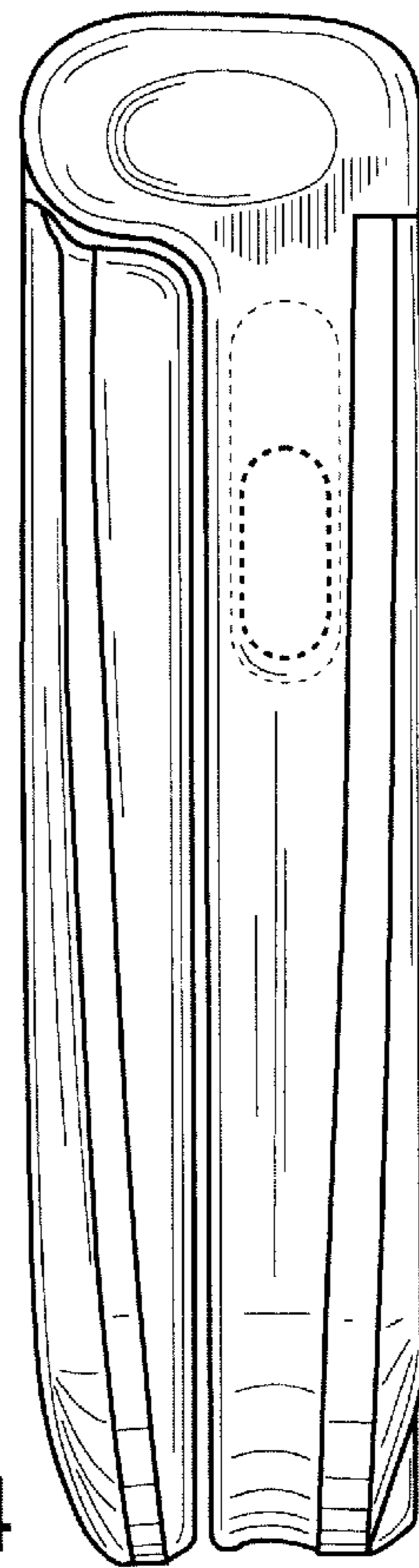


FIGURE 4

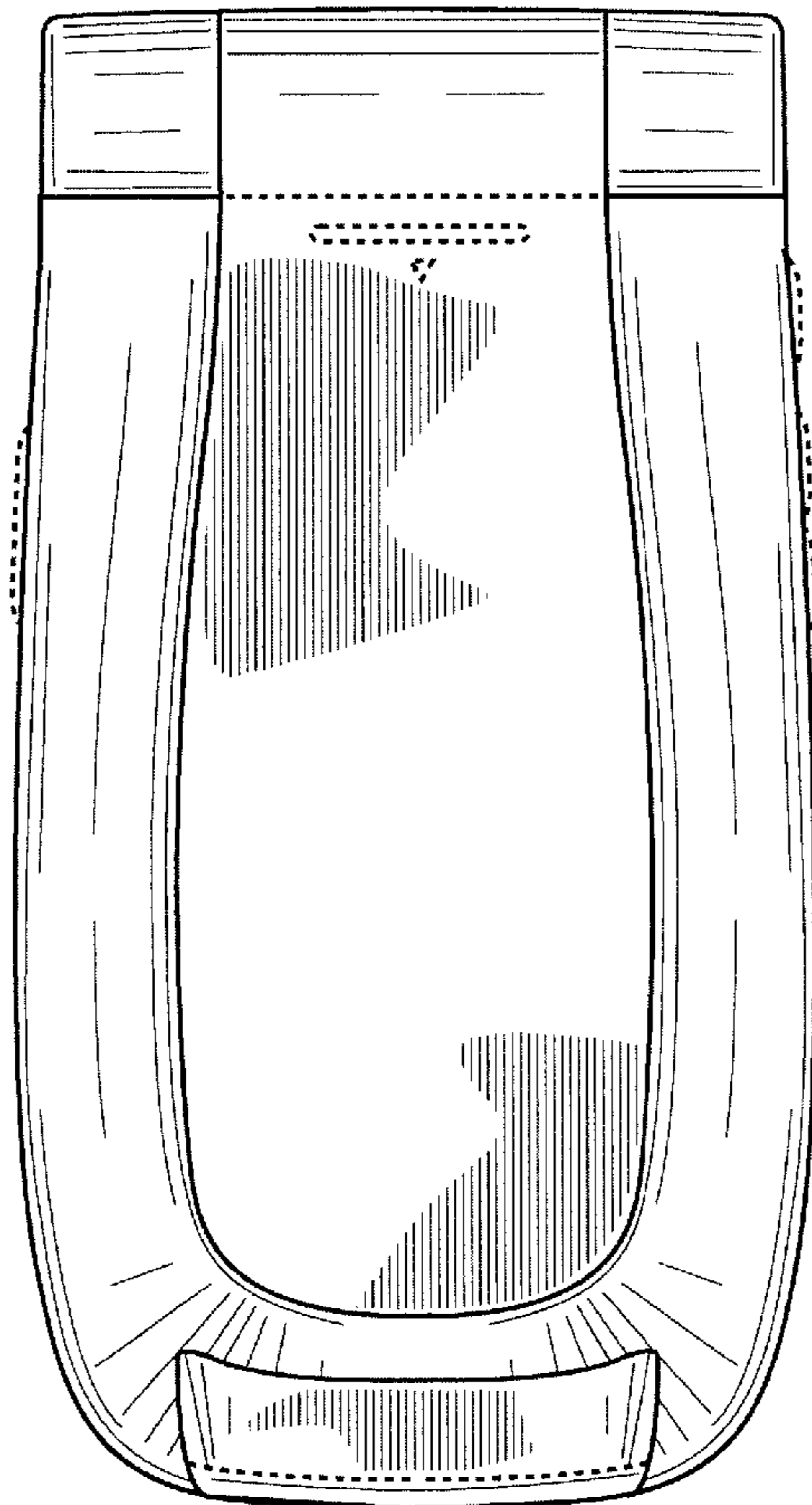


FIGURE 5

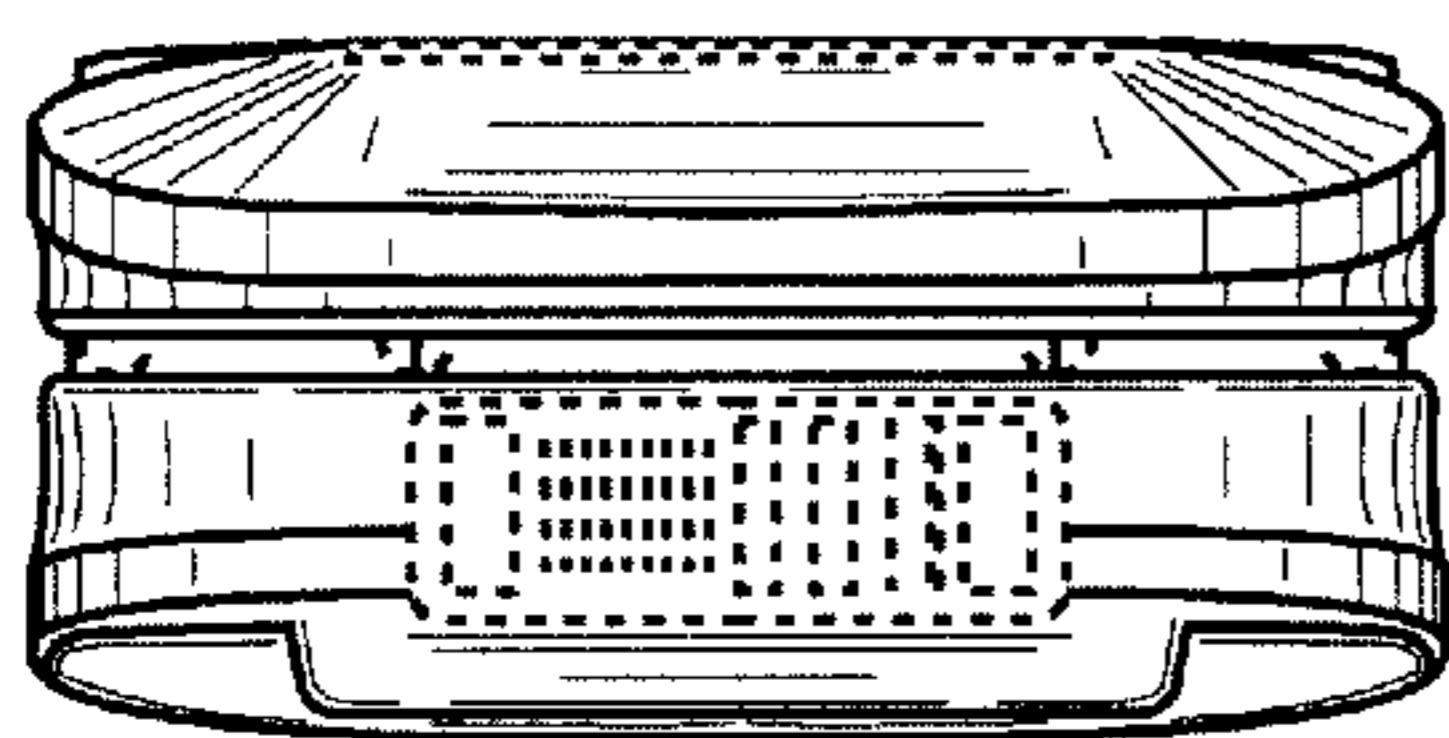


FIGURE 6

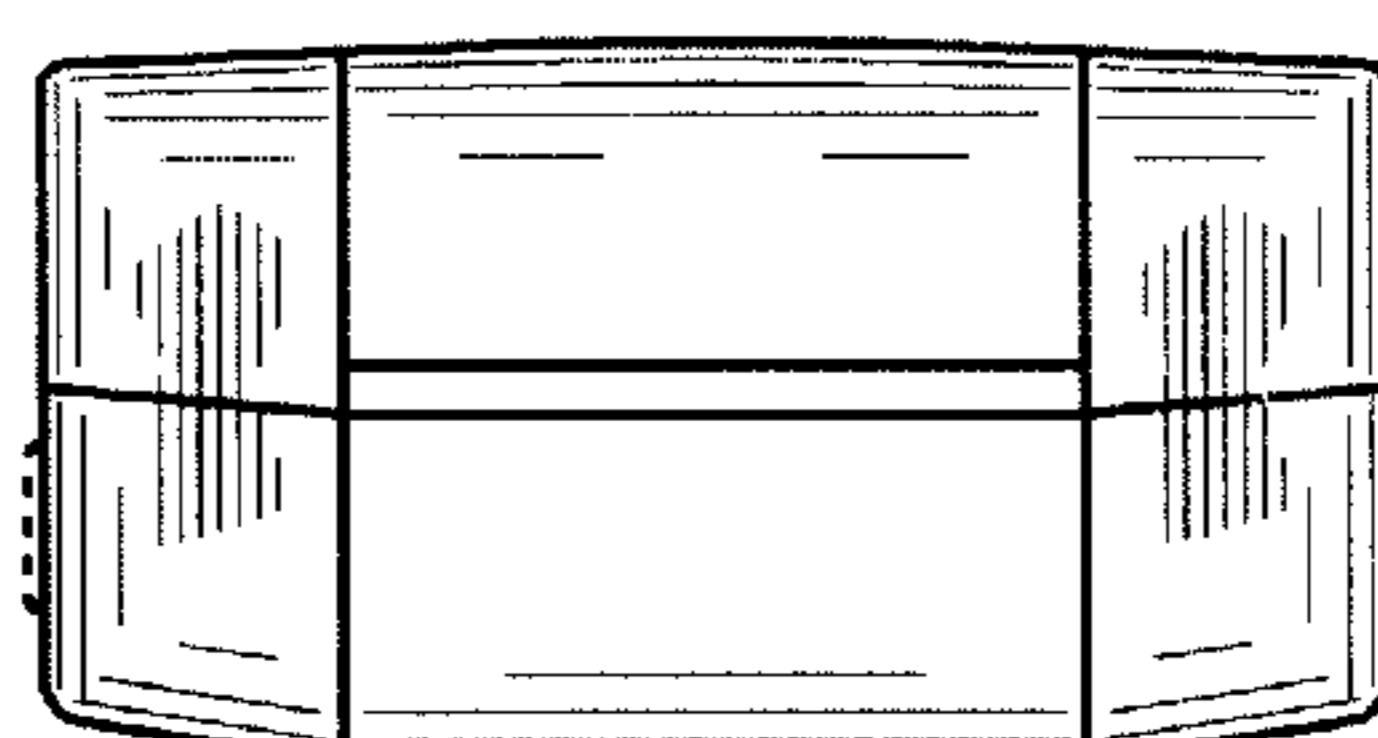


FIGURE 7

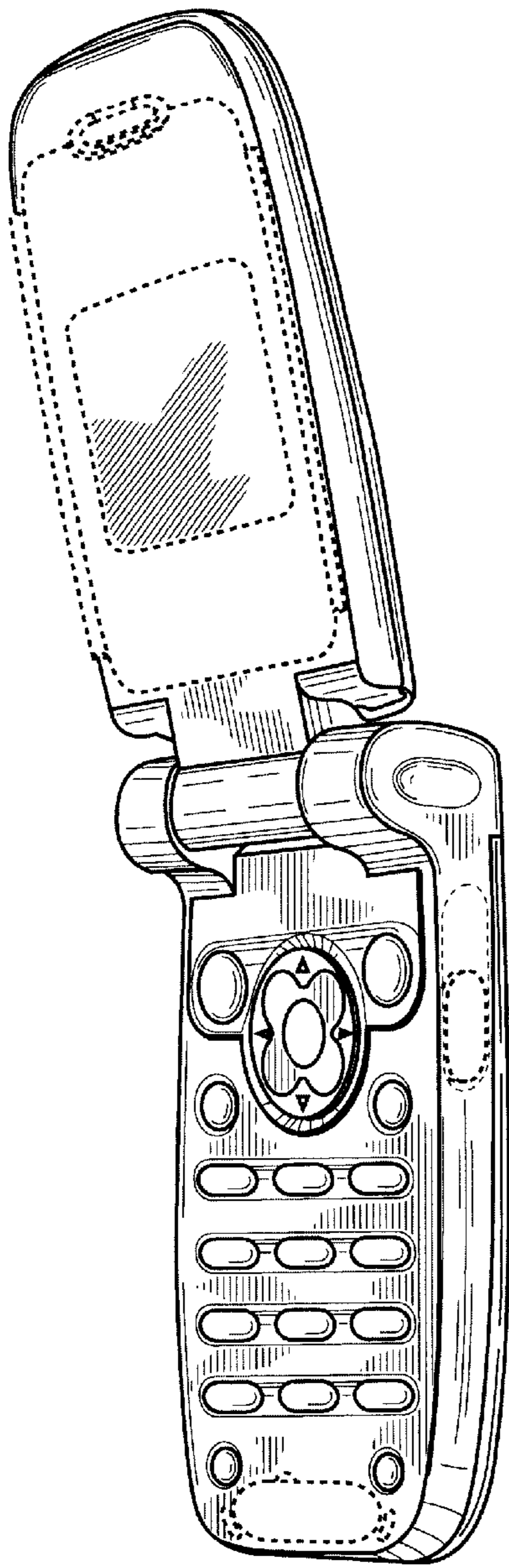


FIGURE 8

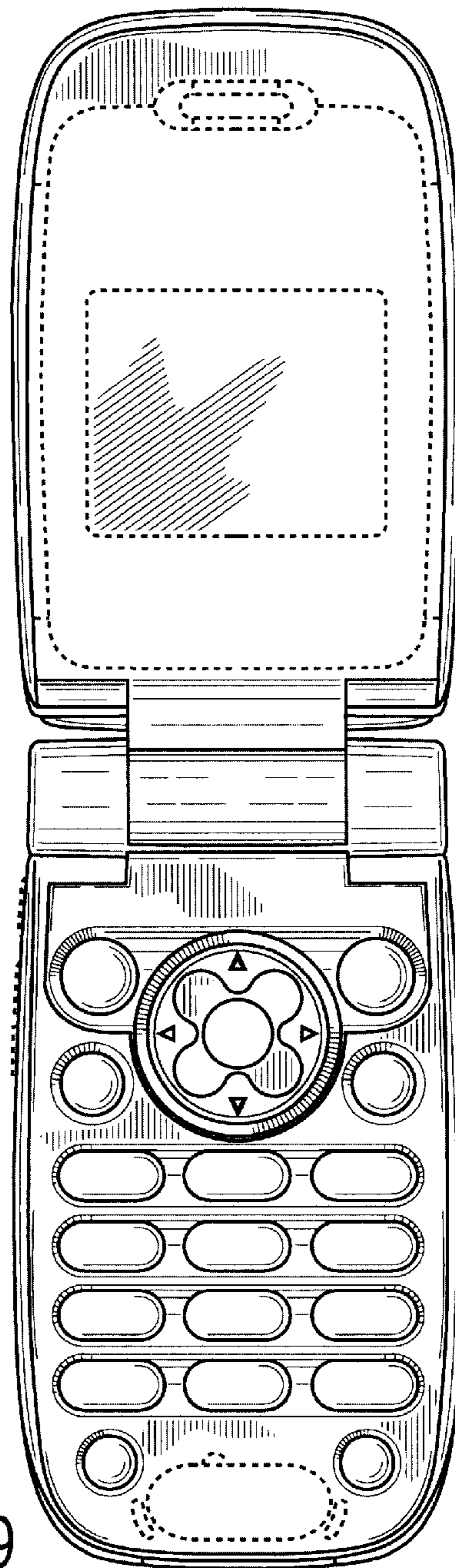


FIGURE 9

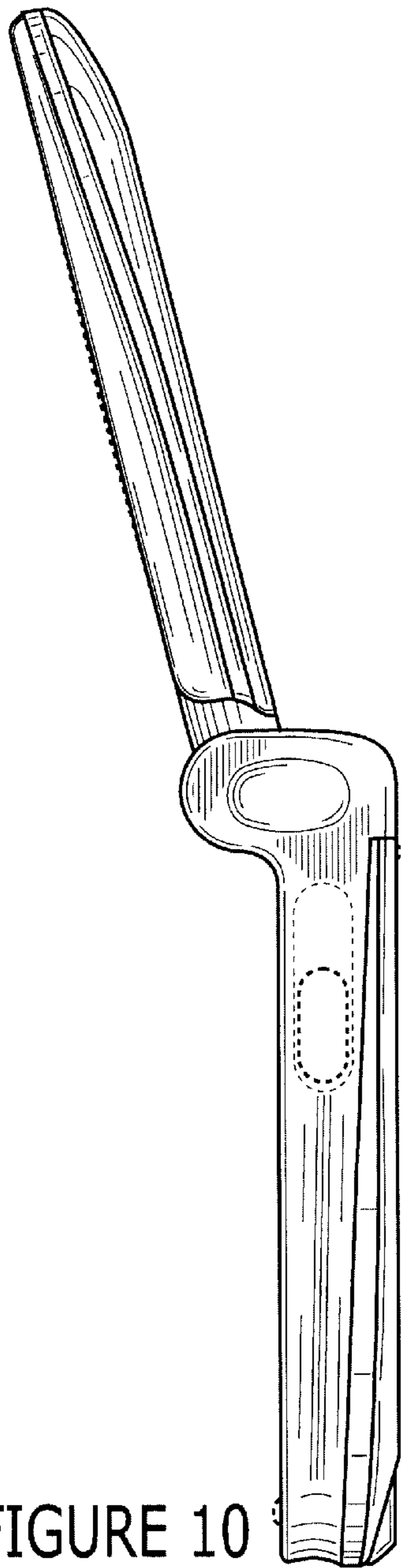


FIGURE 10

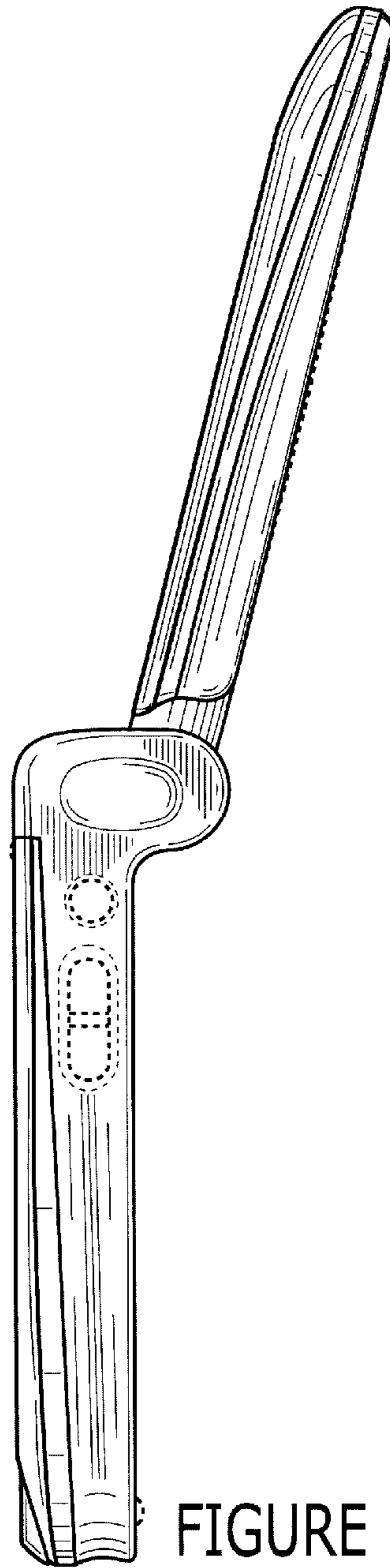


FIGURE 11

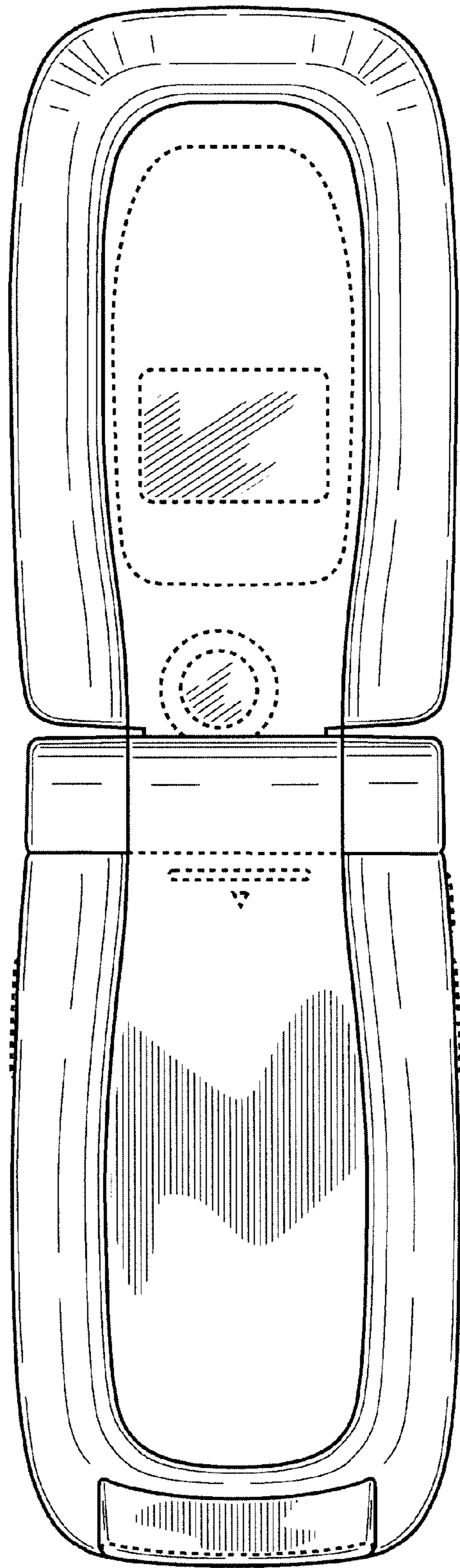


FIGURE 12