



US00D516528S

(12) **United States Design Patent** (10) **Patent No.:** **US D516,528 S**  
**Nakamura et al.** (45) **Date of Patent:** **\*\* Mar. 7, 2006**

(54) **COVER FOR A SEMICONDUCTOR CARRIER**

5,451,165 A	9/1995	Cearley-Cabbiness et al. ....	439/71
5,519,332 A	5/1996	Wood et al. ....	324/755
5,541,525 A	7/1996	Wood et al. ....	324/755
D401,567 S	11/1998	Farnworth et al. ....	D13/182
2001/0043074 A1	11/2001	Hembree et al. ....	324/755
2004/0016993 A1	1/2004	Ham et al. ....	257/666

(75) Inventors: **Yuji Nakamura**, Tokyo (JP); **Katsumi Suzuki**, Tokyo (JP); **Takahiro Ishibashi**, Tokyo (JP); **Eiji Kobori**, Tokyo (JP)

(73) Assignee: **Yamaichi Electronics Co., Ltd.**, Tokyo (JP)

(\*\*) Term: **14 Years**

(21) Appl. No.: **29/229,566**

(22) Filed: **May 10, 2005**

**Related U.S. Application Data**

(62) Division of application No. 29/211,532, filed on Aug. 18, 2004, now Pat. No. Des. 507,545.

(30) **Foreign Application Priority Data**

Feb. 20, 2004 (JP) ..... 2004-004834

(51) **LOC (8) Cl.** ..... **13-03**

(52) **U.S. Cl.** ..... **D13/182**

(58) **Field of Classification Search** ..... D13/182;  
257/666, 669, 675, 676; 324/755  
See application file for complete search history.

(56) **References Cited**

**U.S. PATENT DOCUMENTS**

D359,028 S 6/1995 Siegel et al. .... D13/182

*Primary Examiner*—Stella Reid  
*Assistant Examiner*—Selina Sikder  
(74) *Attorney, Agent, or Firm*—Finnegan, Henderson, Farabow, Garrett & Dunner, LLP

(57) **CLAIM**

The ornamental design for a cover for a semiconductor carrier, as shown and described.

**DESCRIPTION**

FIG. 1 is a left, front perspective view of a cover for a semiconductor carrier showing our new design;

FIG. 2 is a front view of our new design, the rear view being a mirror image thereof;

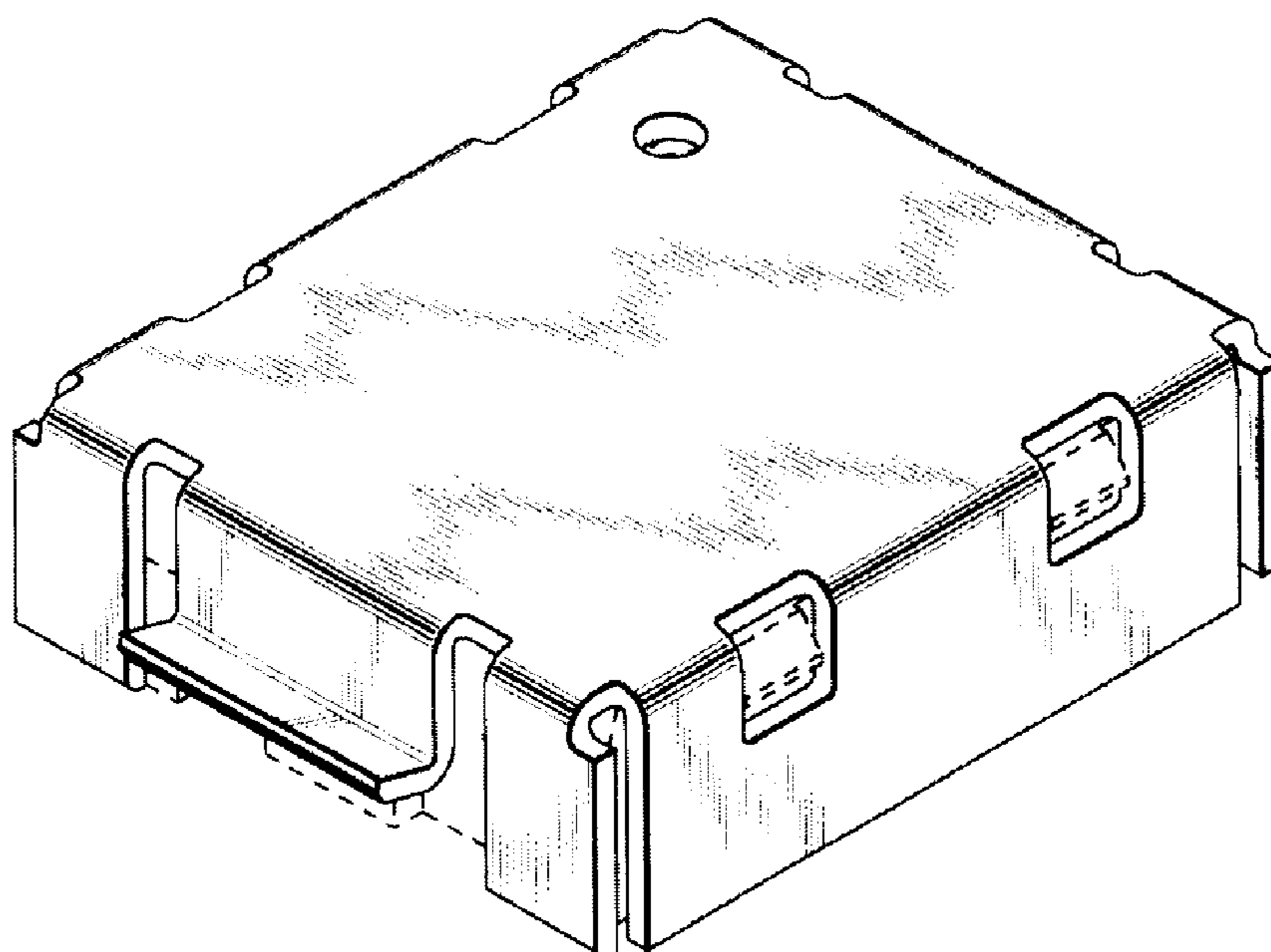
FIG. 3 is a right-side view of our new design, the left-side view being a mirror image thereof;

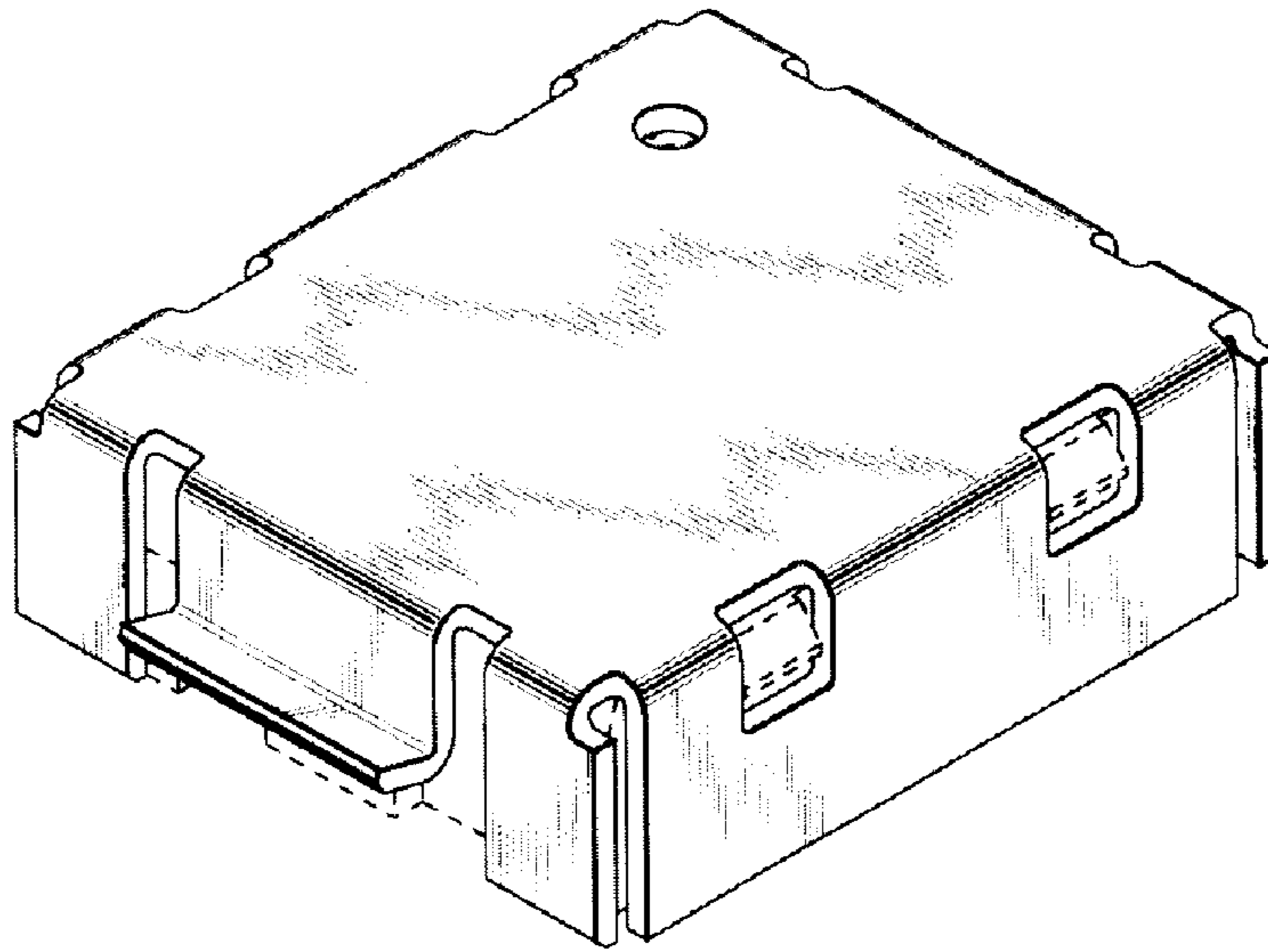
FIG. 4 is a top view of our new design; and,

FIG. 5 is a bottom view of our new design.

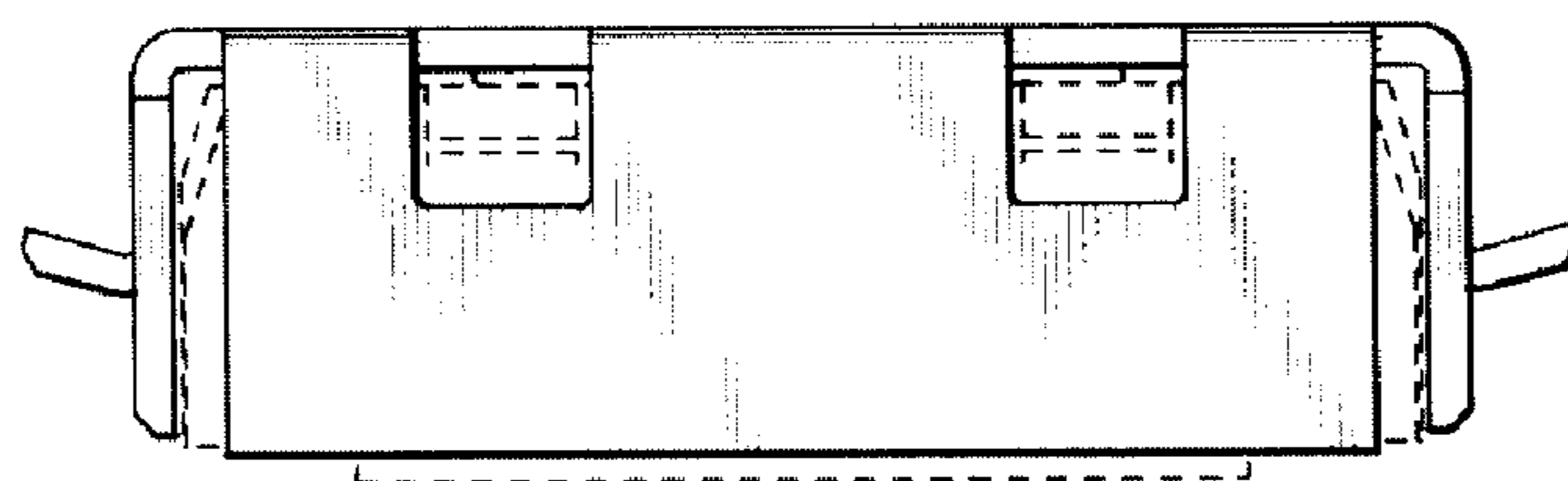
The broken lines are for illustrative purposes only and form no part of the claimed design.

**1 Claim, 3 Drawing Sheets**

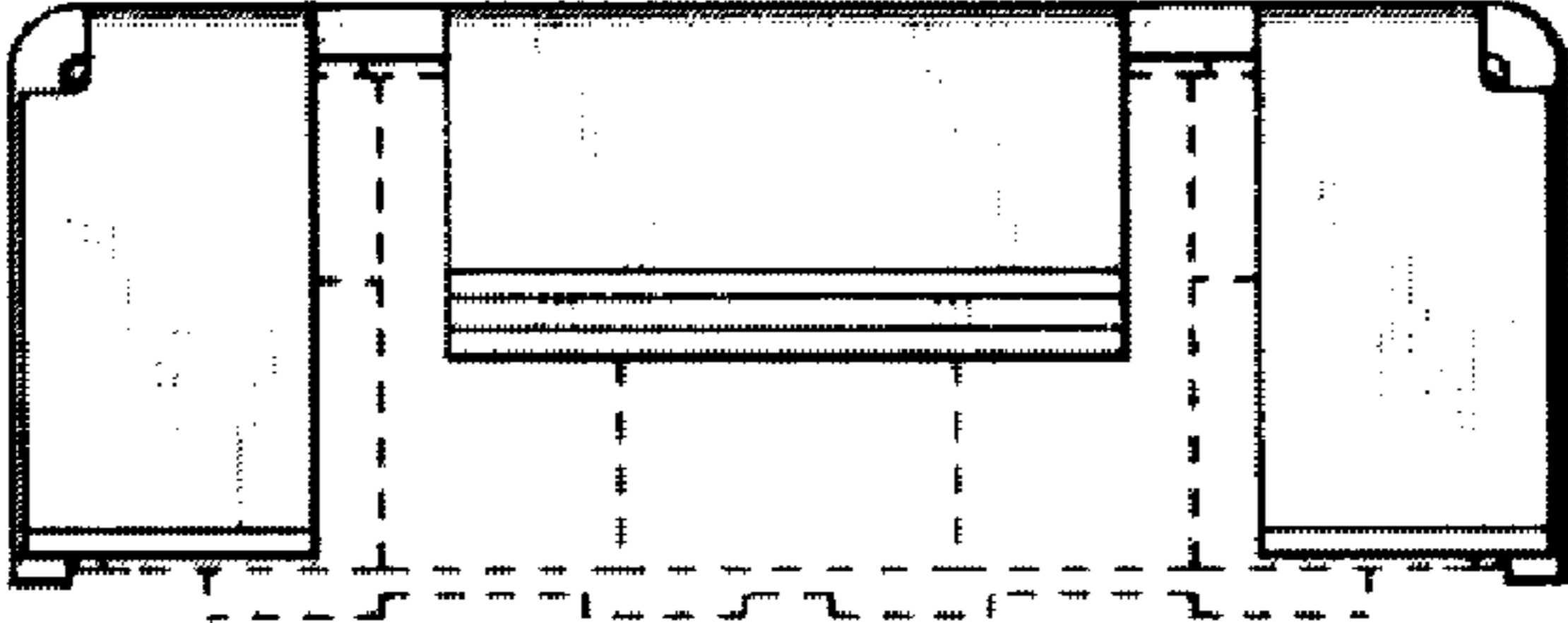




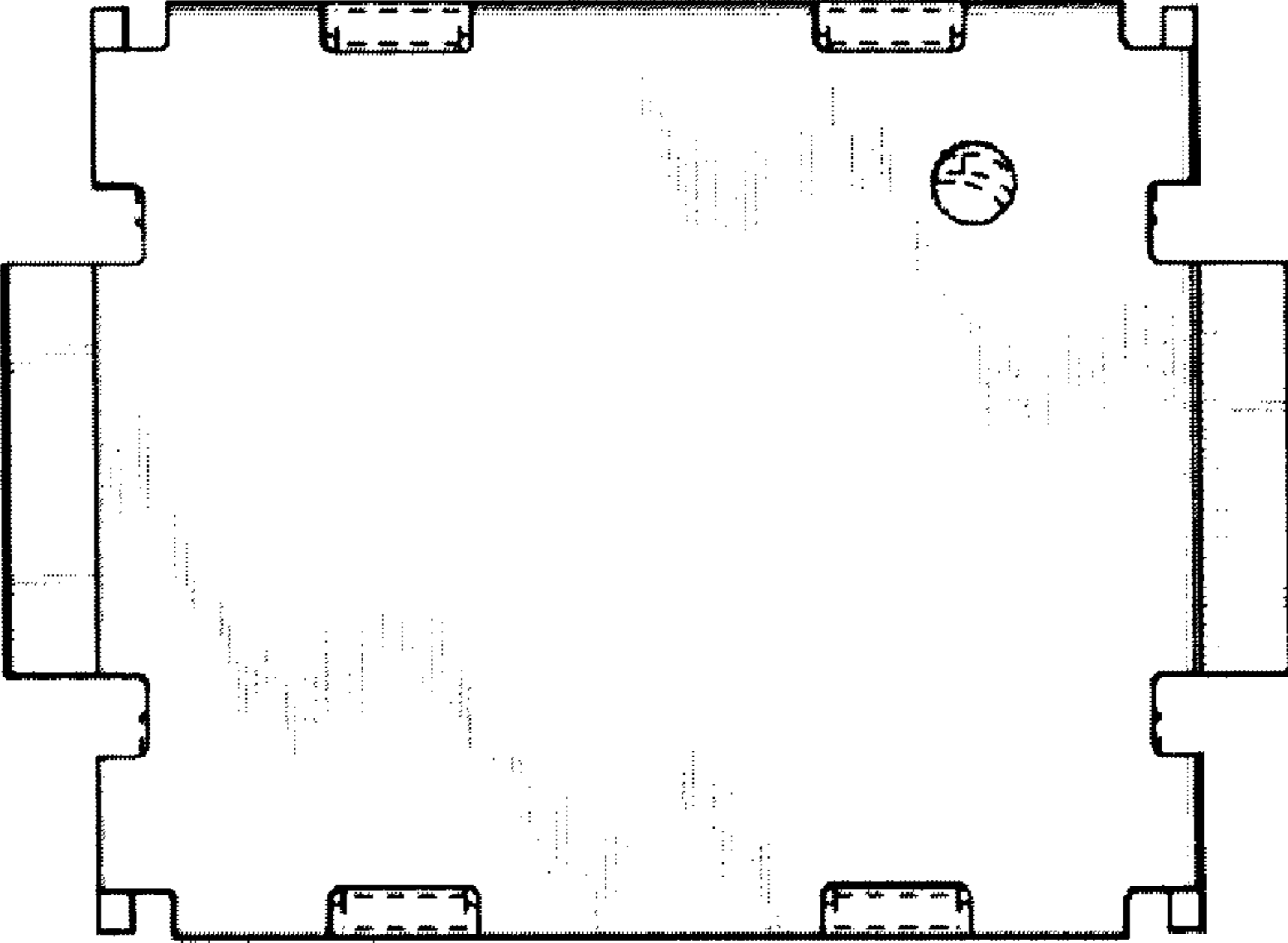
**FIG.1**



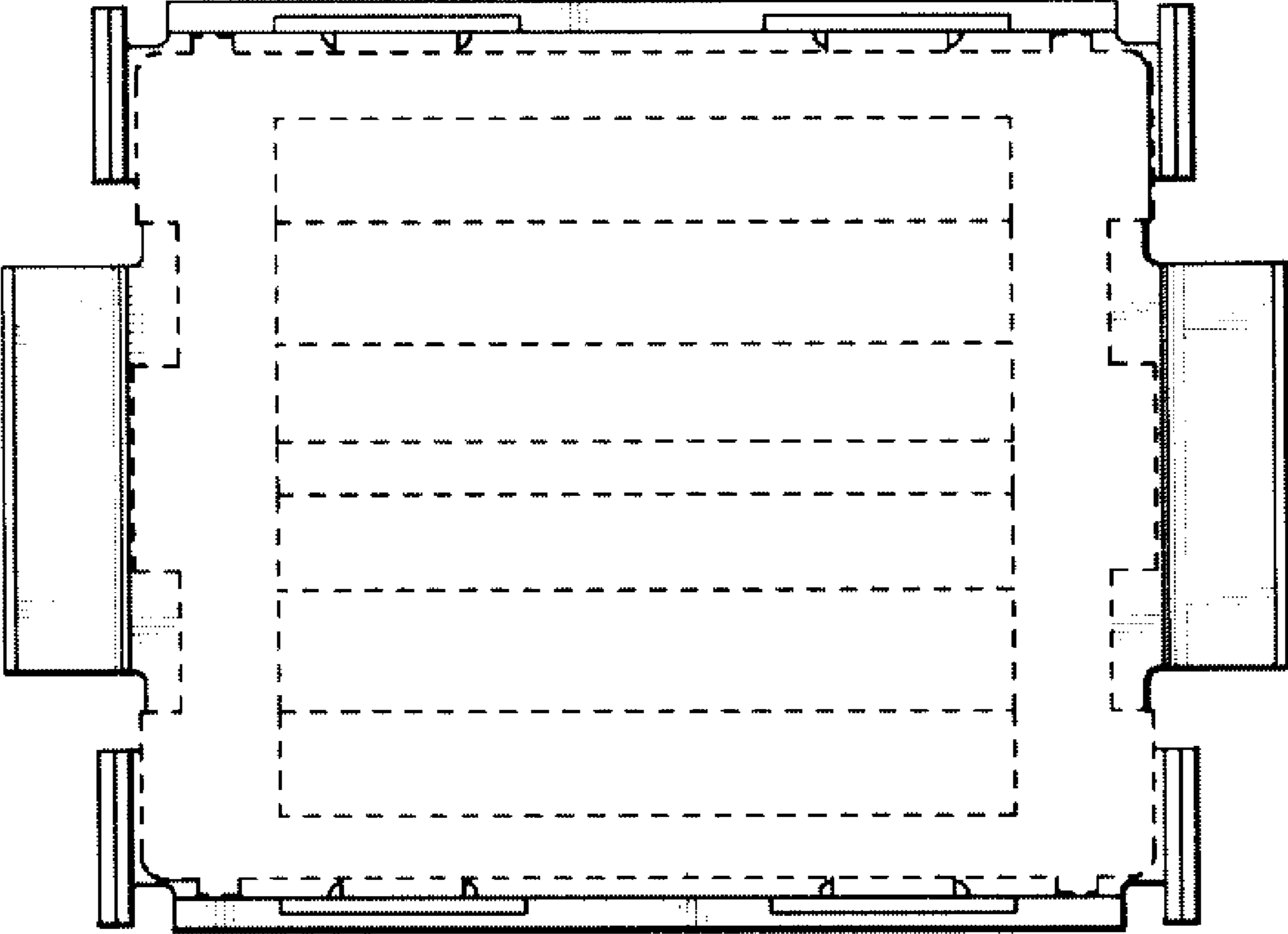
**FIG.2**



**FIG.3**



**FIG.4**



**FIG.5**