



US00D516527S

(12) **United States Design Patent**  
**Kamada**

(10) **Patent No.:** **US D516,527 S**  
(45) **Date of Patent:** **\*\* Mar. 7, 2006**

(54) **LIGHT EMITTING DIODE**

(75) Inventor: **Kazuhiro Kamada**, Tokushima-ken  
(JP)

(73) Assignee: **Nichia Corporation**, Anan (JP)

(\*\*) Term: **14 Years**

(21) Appl. No.: **29/218,477**

(22) Filed: **Dec. 3, 2004**

RE36,614 E	3/2000	Lumbard et al.
D432,095 S	10/2000	Seeger et al.
6,174,070 B1	1/2001	Takamura et al.
D437,798 S	2/2001	Kiba et al.
D439,351 S	3/2001	Kiba et al.
6,386,733 B1	5/2002	Ohkohdo et al.
6,450,663 B1	9/2002	Reinbach
D477,579 S	7/2003	Suenaga
6,610,563 B1	8/2003	Waitl et al.
D482,337 S	11/2003	Kamada
D490,782 S	6/2004	Suenaga

**FOREIGN PATENT DOCUMENTS**

JP	D1095890 S	1/2001
JP	D1095891 S	1/2001
JP	D1106536 S	4/2001
JP	D1106839 S	4/2001
JP	D1106840 S	4/2001

**OTHER PUBLICATIONS**

Surface Mount Type LED—Light Emitting Diode—, Product Guide, May 2001, 6 pages, Cat. No. 01055K, Nichia Corporation, Japan.

*Primary Examiner*—Stella M. Reid

*Assistant Examiner*—Selina Sikder

(74) *Attorney, Agent, or Firm*—Smith Patent Office

(57)

**CLAIM**

I claim the ornamental design for the light emitting diode, as shown and described.

**DESCRIPTION**

FIG. 1 is a perspective view of a light emitting diode showing my new design;

FIG. 2 is a plan view of a light emitting diode showing my new design;

FIG. 3 is a left view of the light emitting diode according to FIG. 1;

FIG. 4 is a front elevational view of the light emitting diode according to FIG. 1;

FIG. 5 is a right view of the light emitting diode according to FIG. 1;

FIG. 6 is a bottom plan view of the light emitting diode according to FIG. 1; and,

FIG. 7 is a rear view of the light emitting diode according to FIG. 1.

**1 Claim, 2 Drawing Sheets**

**Related U.S. Application Data**

(62) Division of application No. 29/186,594, filed on Jul. 21, 2003, now Pat. No. Des. 499,384, which is a division of application No. 29/163,058, filed on Jun. 27, 2002, now Pat. No. Des. 482,337.

(30) **Foreign Application Priority Data**

Dec. 28, 2001	(JP)	.....	2001-038909
Dec. 28, 2001	(JP)	.....	2001-038910
Dec. 28, 2001	(JP)	.....	2001-038911
Dec. 28, 2001	(JP)	.....	2001-038912
Dec. 28, 2001	(JP)	.....	2001-038913
Dec. 28, 2001	(JP)	.....	2001-038914
Dec. 28, 2001	(JP)	.....	2001-038915
Dec. 28, 2001	(JP)	.....	2001-038916
Dec. 28, 2001	(JP)	.....	2001-038917
Dec. 28, 2001	(JP)	.....	2001-038918

(51) **LOC (8) Cl.** ..... **13-03**

(52) **U.S. Cl.** ..... **D13/180**

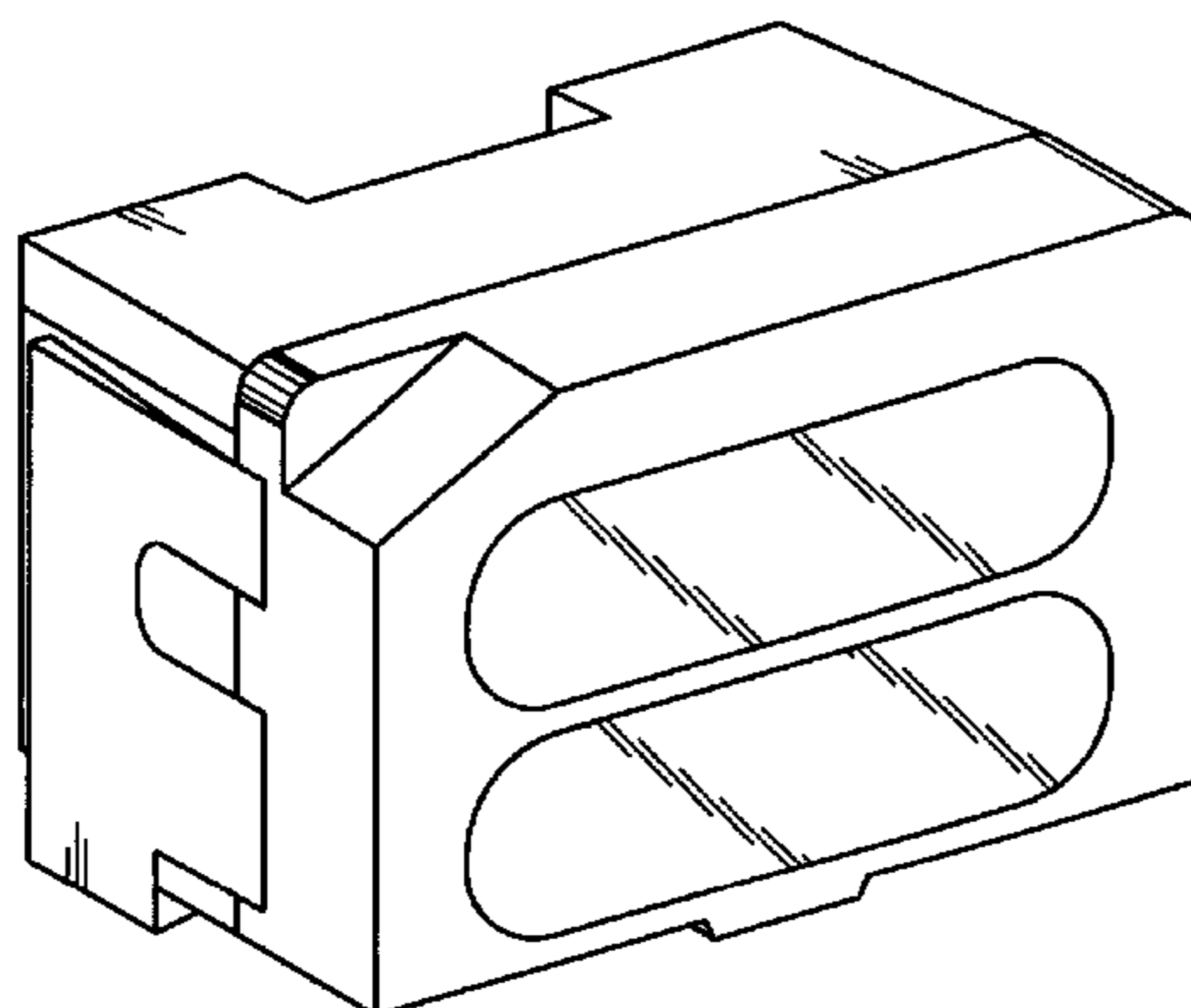
(58) **Field of Classification Search** ..... D13/180,  
D13/182; D10/104, 114; 257/76, 79, 88,  
257/89, 93, 99, 434, 676, 678, 687, 690,  
257/698, 787; 313/498, 499, 500; 372/45;  
361/760, 820; 362/226, 241, 249, 250, 307,  
362/555, 800

See application file for complete search history.

(56) **References Cited**

**U.S. PATENT DOCUMENTS**

3,783,353 A	1/1974	Pankove
4,127,792 A	11/1978	Nakata
5,226,053 A	7/1993	Cho et al.
5,534,718 A	7/1996	Chang



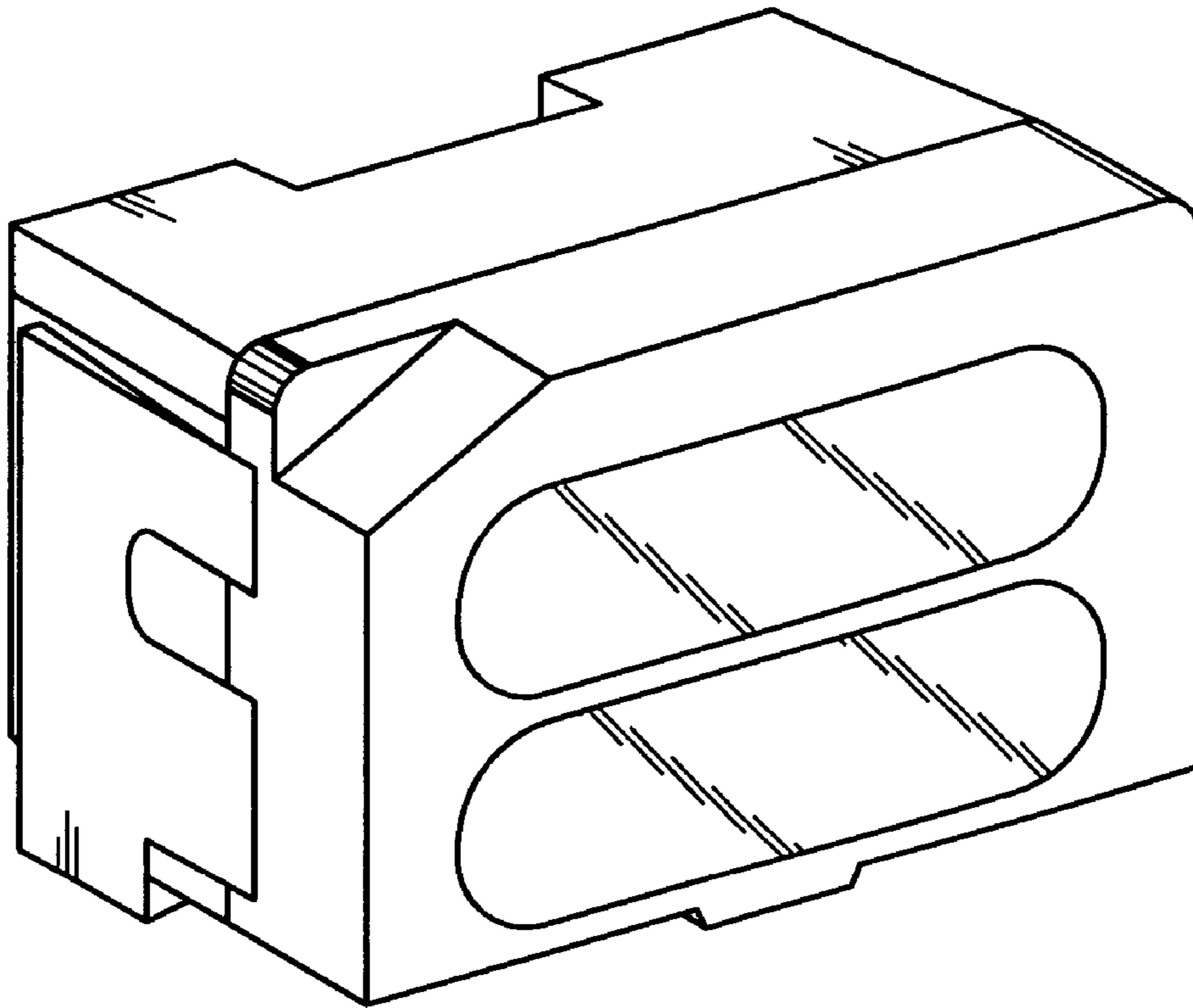


FIG. 1

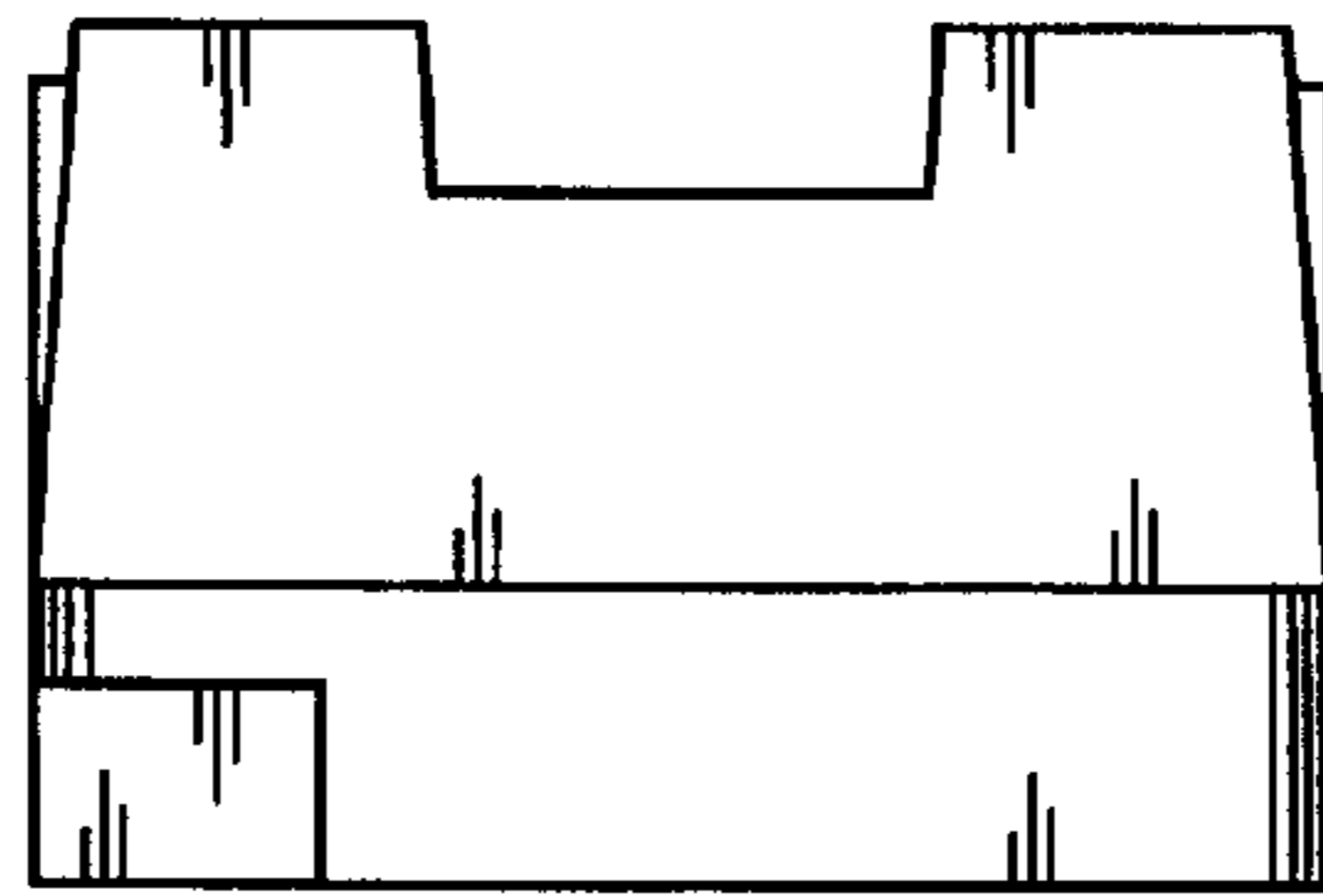


FIG. 2

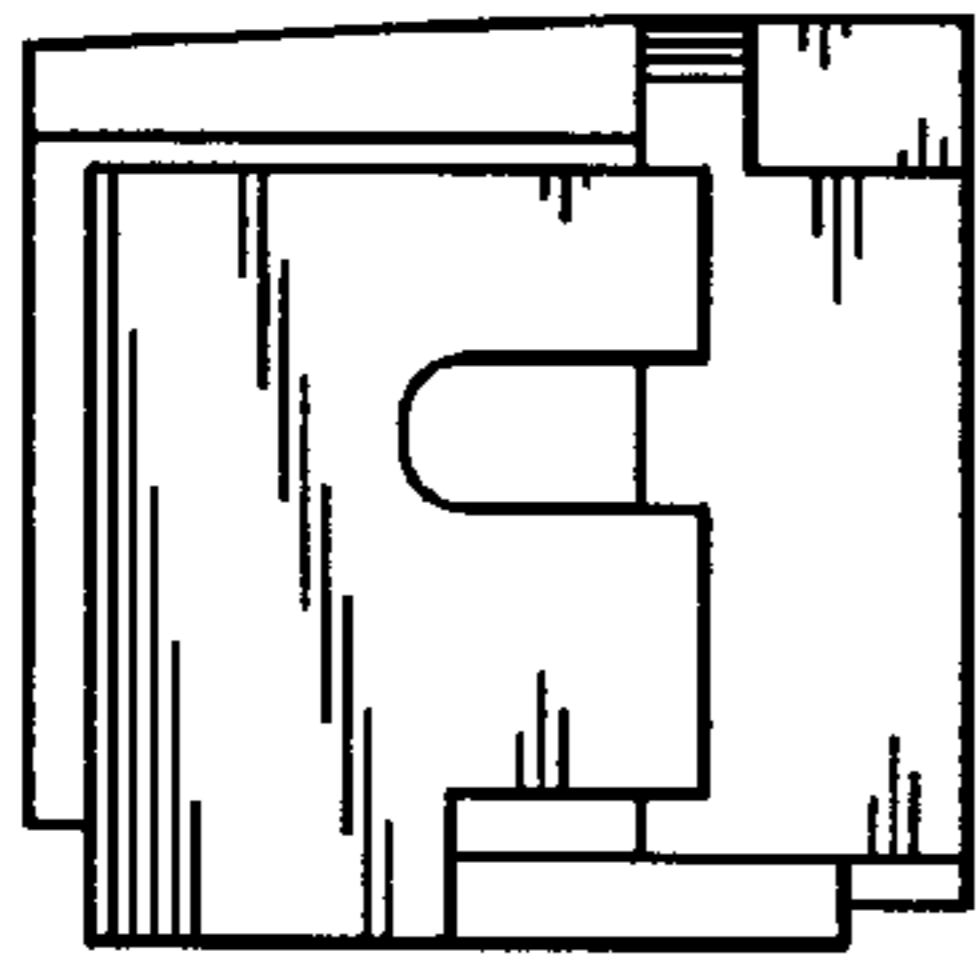


FIG. 3

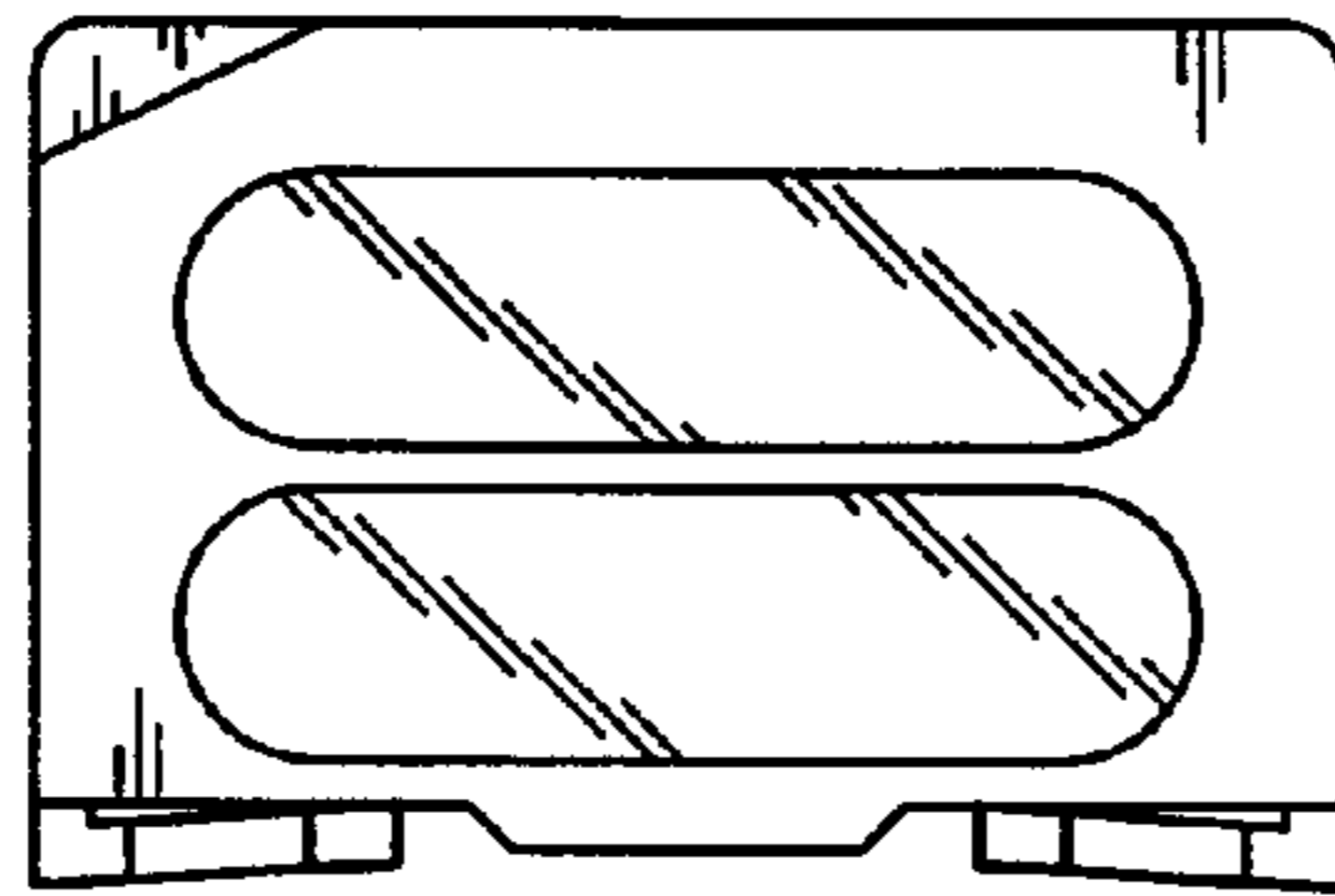


FIG. 4

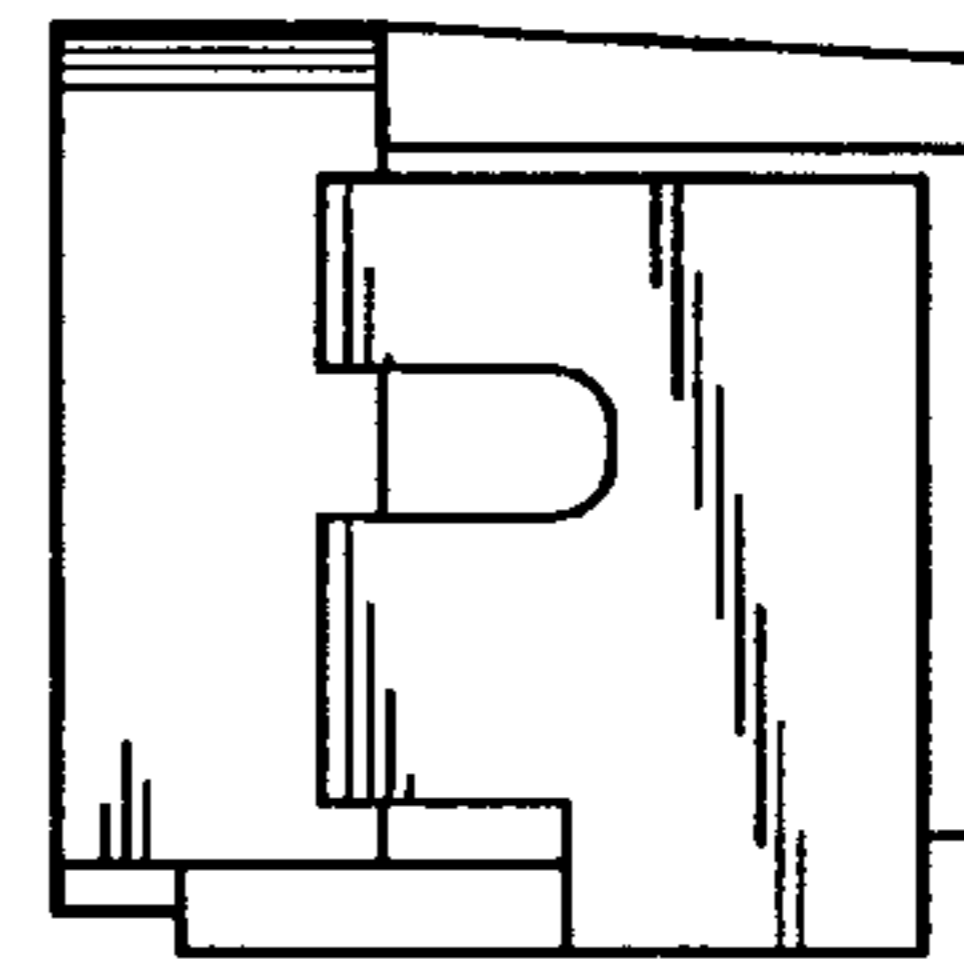


FIG. 5

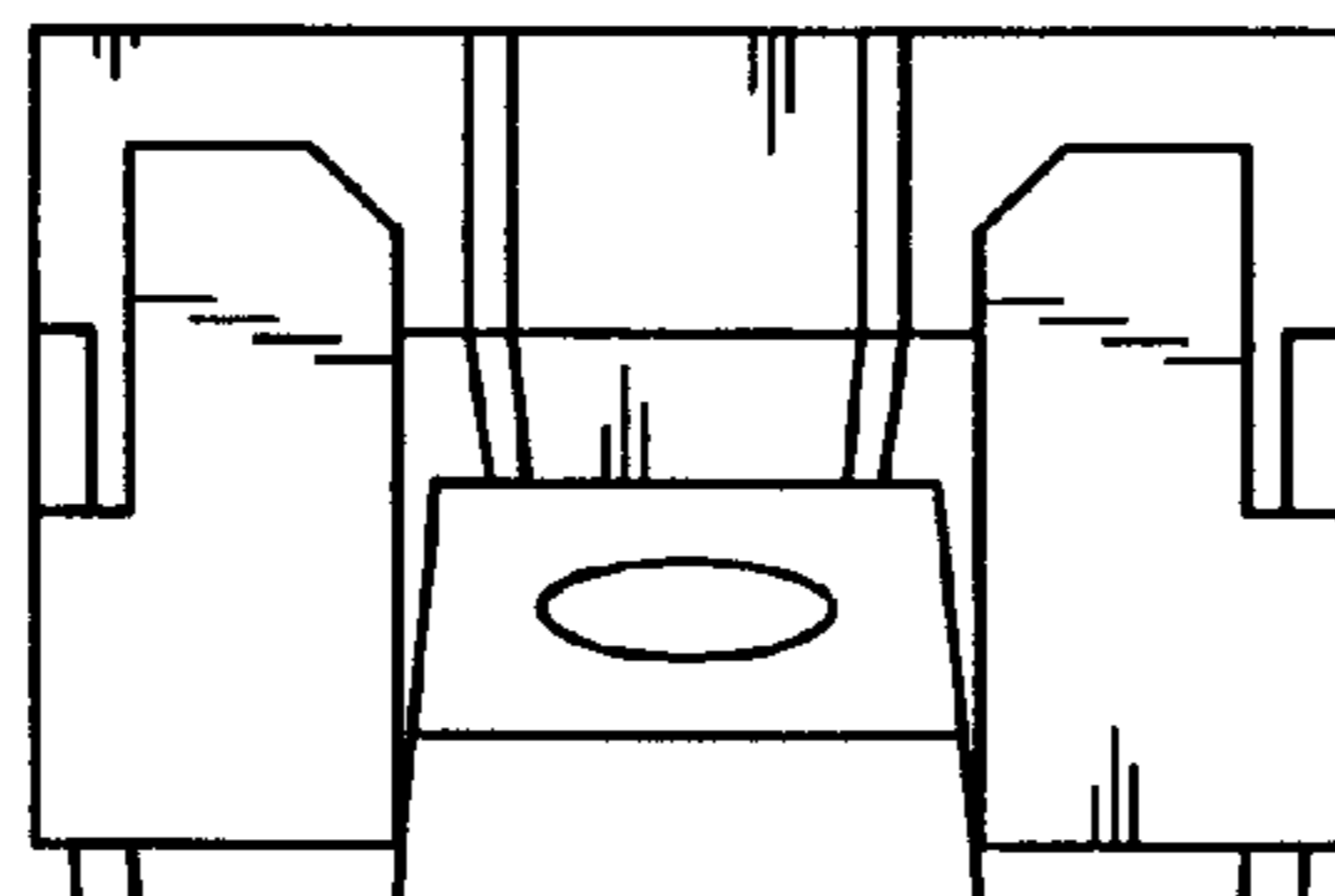


FIG. 6

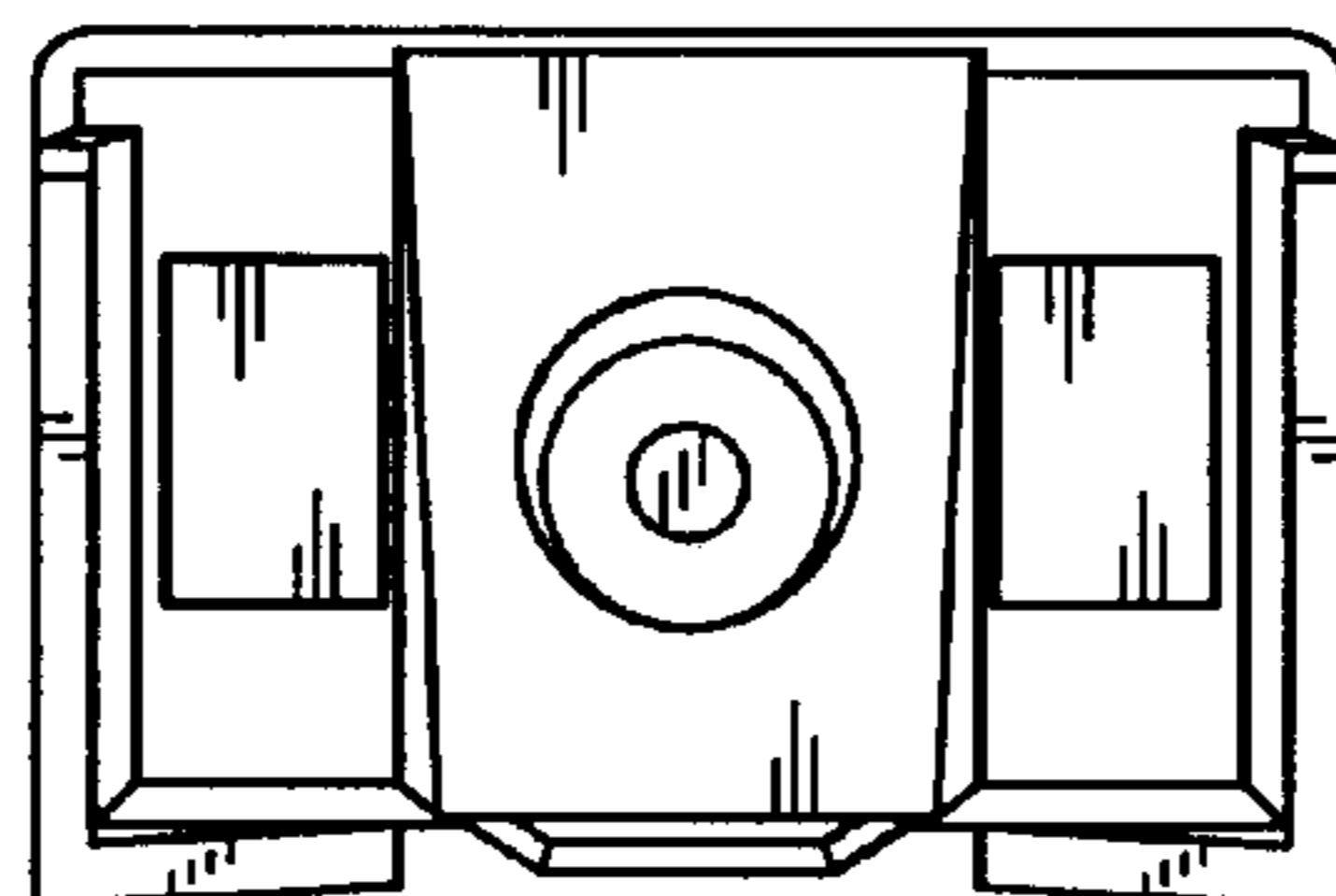


FIG. 7