



US00D516526S

(12) **United States Design Patent**
Watanabe et al.

(10) **Patent No.: US D516,526 S**
(45) **Date of Patent: ** *Mar. 7, 2006**

(54) **ELECTRONIC COMPONENT COOLING APPARATUS**

(75) Inventors: **Michinori Watanabe**, Nagano (JP);
Toshiki Ogawara, Nagano (JP);
Masayuki Iijima, Nagano (JP);
Haruhisa Maruyama, Nagano (JP)

(73) Assignee: **Sanyo Denki Co., Ltd.**, Tokyo (JP)

(*) Notice: This patent is subject to a terminal disclaimer.

(**) Term: **14 Years**

(21) Appl. No.: **29/196,216**

(22) Filed: **Dec. 23, 2003**

(30) **Foreign Application Priority Data**

Jun. 25, 2003 (JP) 2003-018124

(51) **LOC (8) Cl.** **13-03**

(52) **U.S. Cl.** **D13/179**

(58) **Field of Classification Search** D13/179;
165/80.3, 121, 122, 146, 104.33, 180, 185;
174/16.3; 257/706, 707, 718-722; 361/271,
361/274.3, 695, 697, 700, 702, 704, 709,
361/710, 711, 514, 719

See application file for complete search history.

(56) **References Cited**

U.S. PATENT DOCUMENTS

5,597,034 A * 1/1997 Barker et al. 165/80.3
D403,760 S 1/1999 Kodaira et al.
D441,724 S 5/2001 Chou et al.

D441,725 S 5/2001 Chou et al.
D442,565 S 5/2001 Chou et al.
D442,566 S 5/2001 Chou et al.
D450,306 S * 11/2001 Lin et al. D13/179
6,407,919 B1 * 6/2002 Chou 361/697
6,418,020 B1 * 7/2002 Lin 361/703
6,419,007 B1 7/2002 Ogawara et al.
D464,939 S 10/2002 Chuang et al.
6,480,383 B1 11/2002 Kodaira et al.
D476,958 S * 7/2003 Tsai D13/179
6,671,172 B1 * 12/2003 Carter et al. 361/697
D501,450 S * 2/2005 Watanabe et al. D13/179

FOREIGN PATENT DOCUMENTS

JP 1019375 S 8/1998

* cited by examiner

Primary Examiner—Stella Reid

Assistant Examiner—Selina Sikder

(74) *Attorney, Agent, or Firm*—Rakin, Hill, Porter & Clark LLP

(57) **CLAIM**

The ornamental design for an electronic component cooling apparatus, as shown and described.

DESCRIPTION

FIG. 1 is a front side elevation view.
FIG. 2 is a rear side elevation view.
FIG. 3 is a right side elevation view.
FIG. 4 is a left side elevation view.
FIG. 5 is a top plan view.
FIG. 6 is a bottom plan view; and,
FIG. 7 is a perspective view.

1 Claim, 7 Drawing Sheets

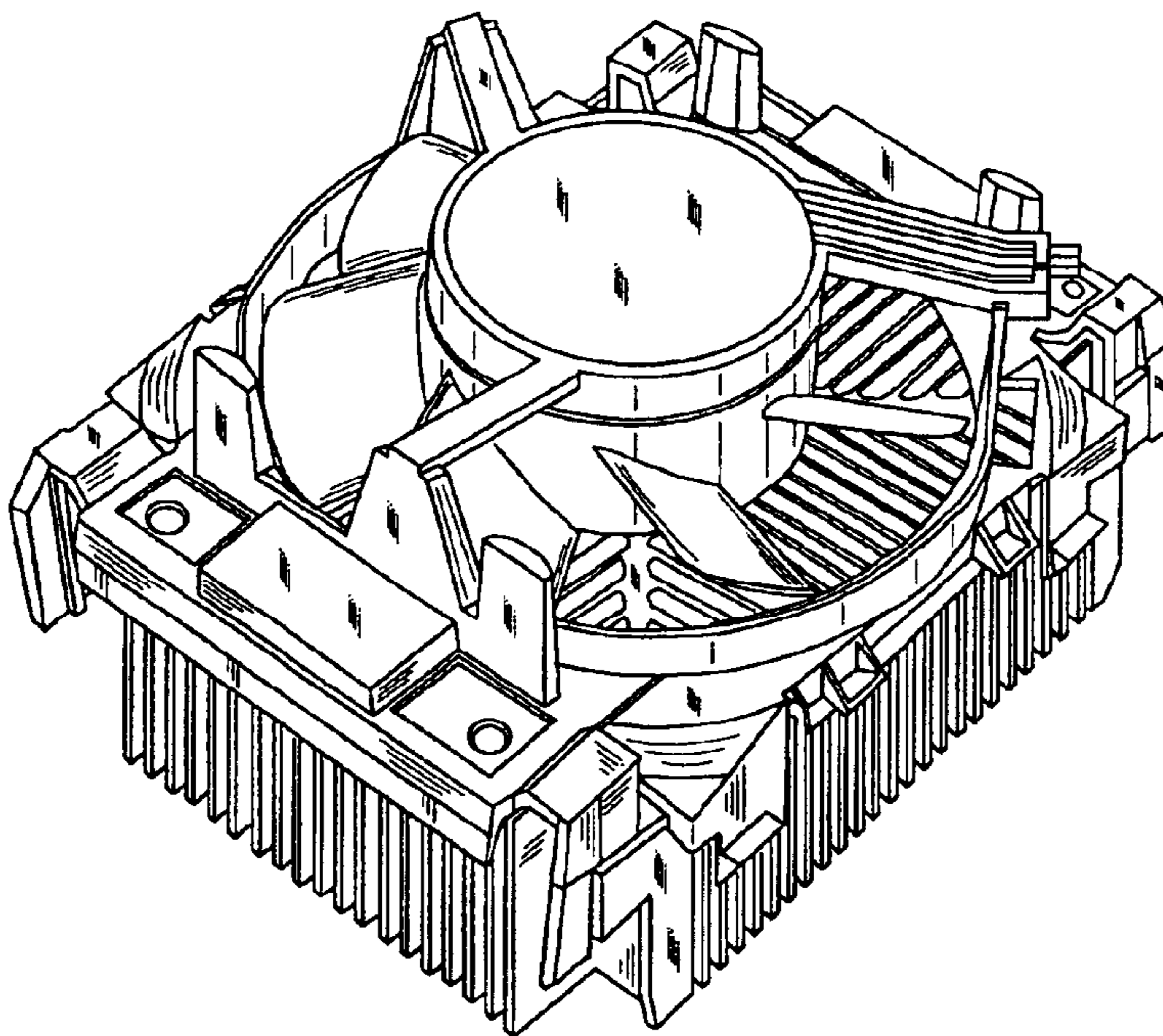


FIG. 1

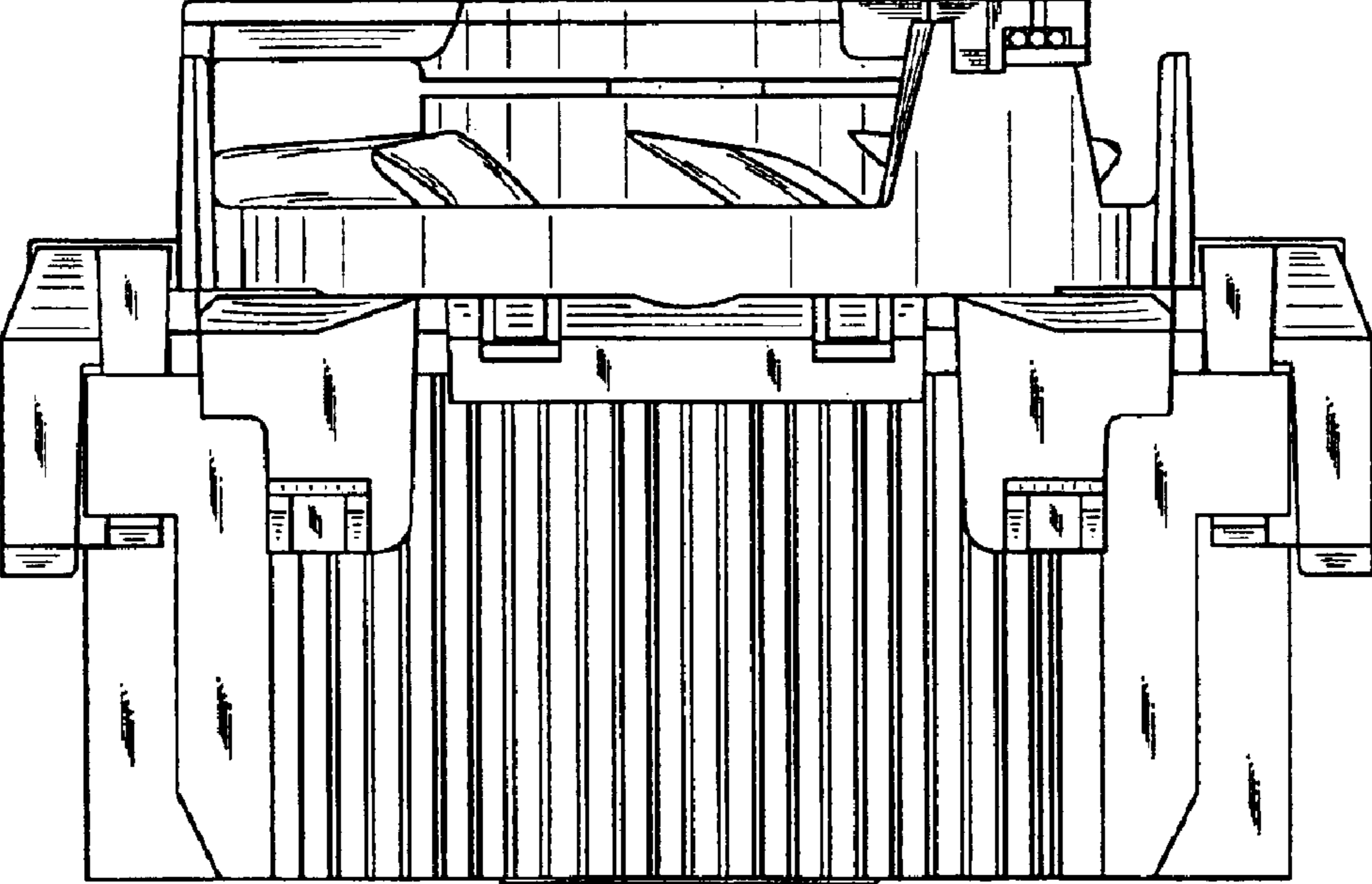


FIG.2

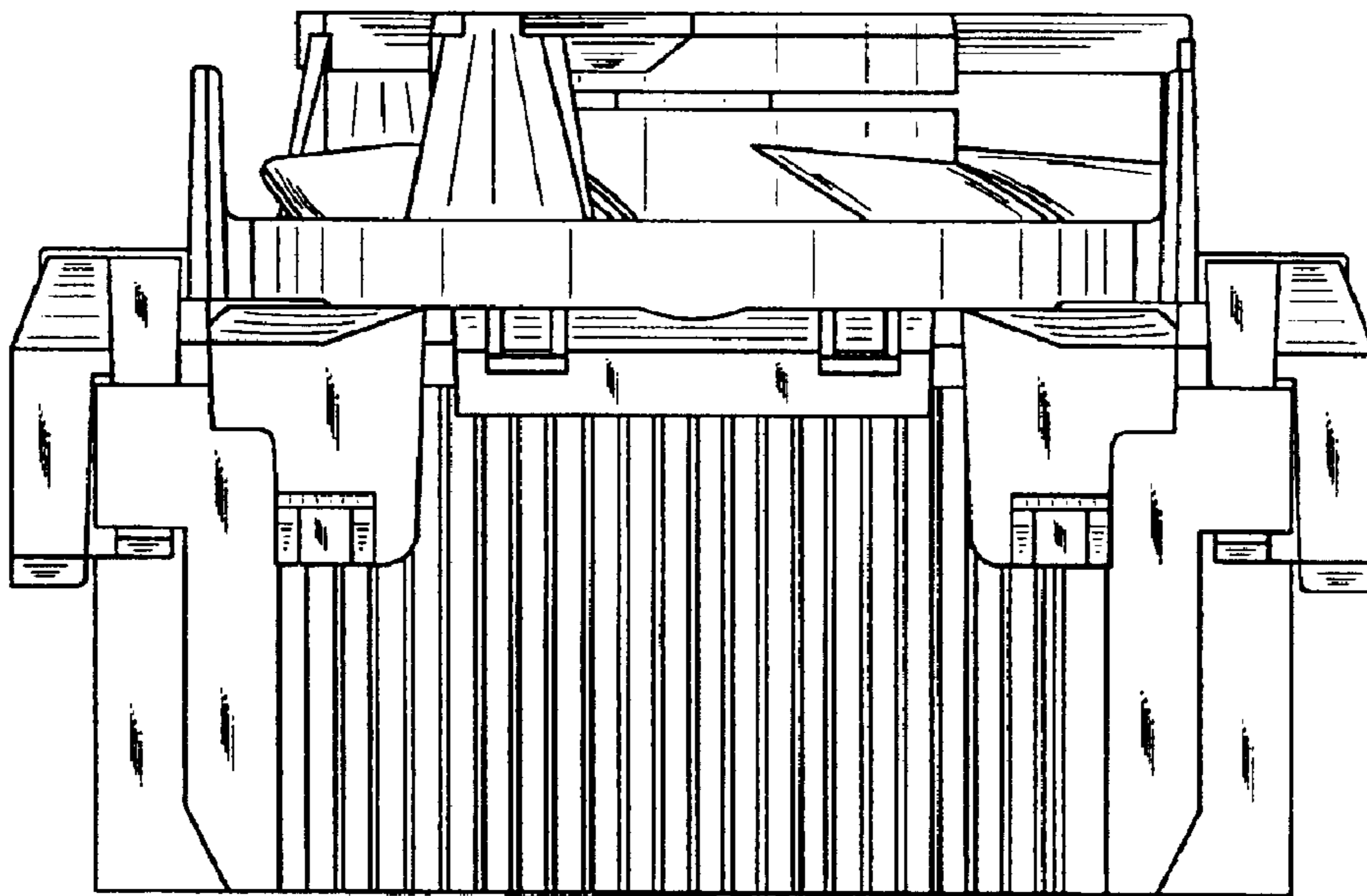


FIG.3

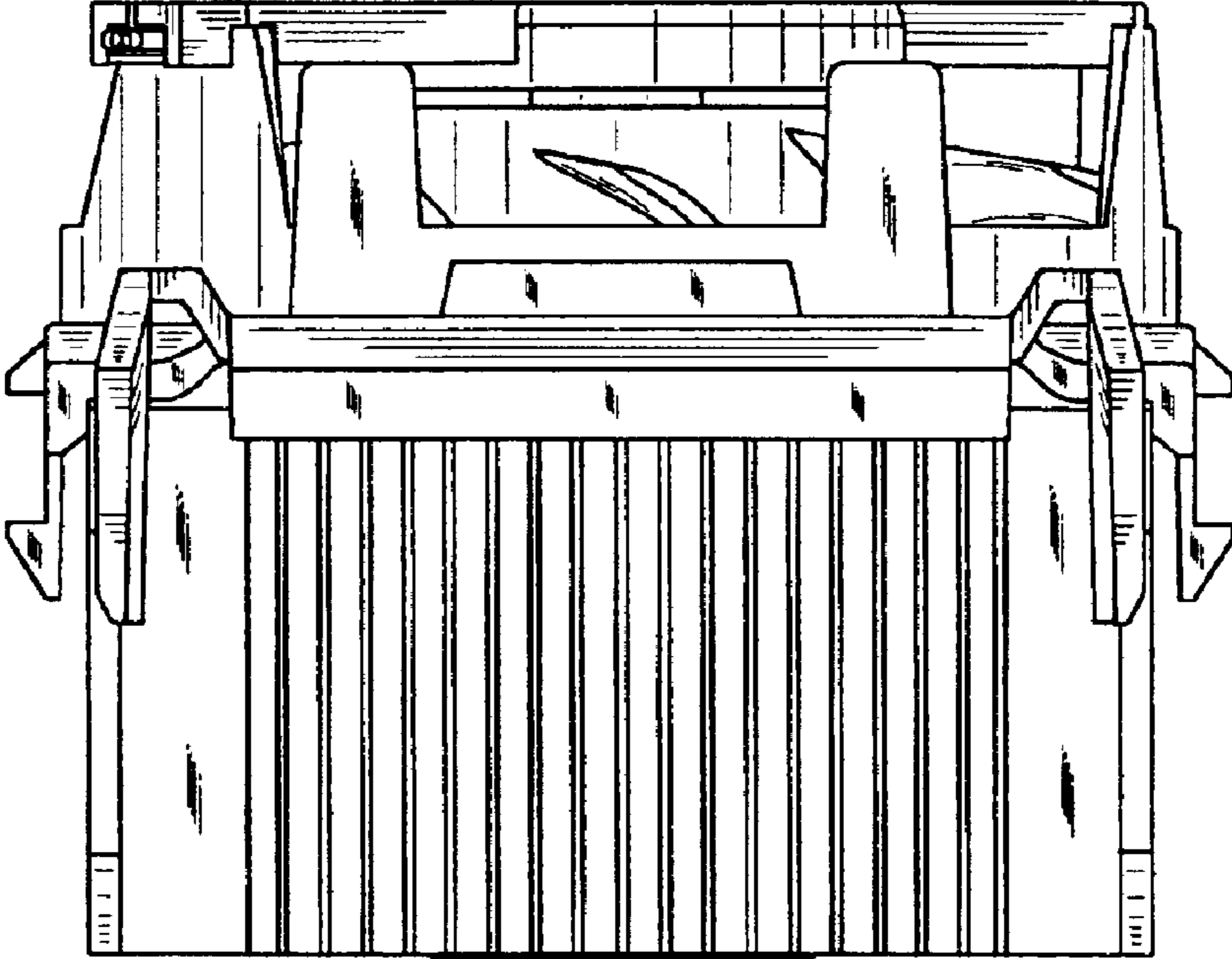


FIG.4

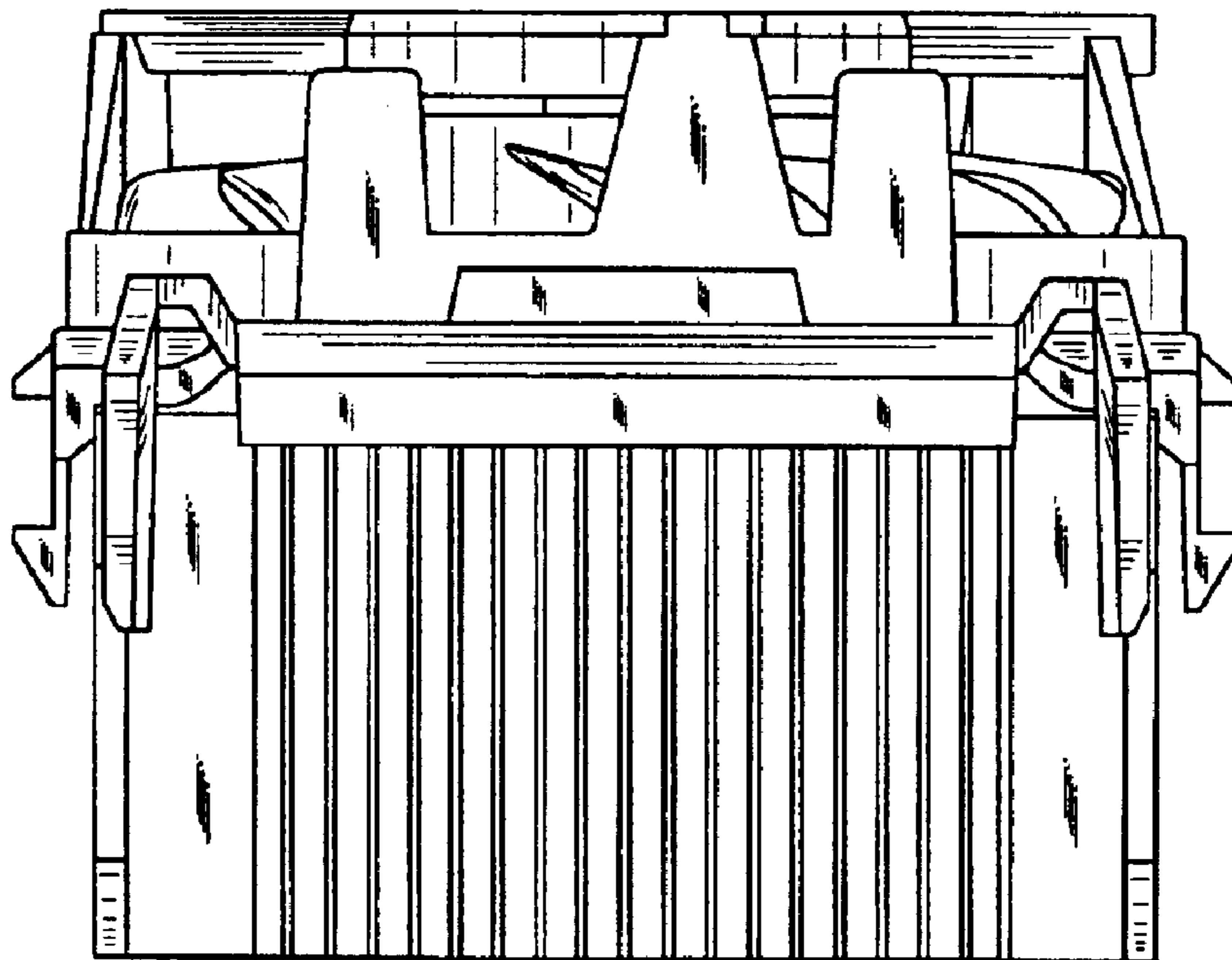


FIG.5

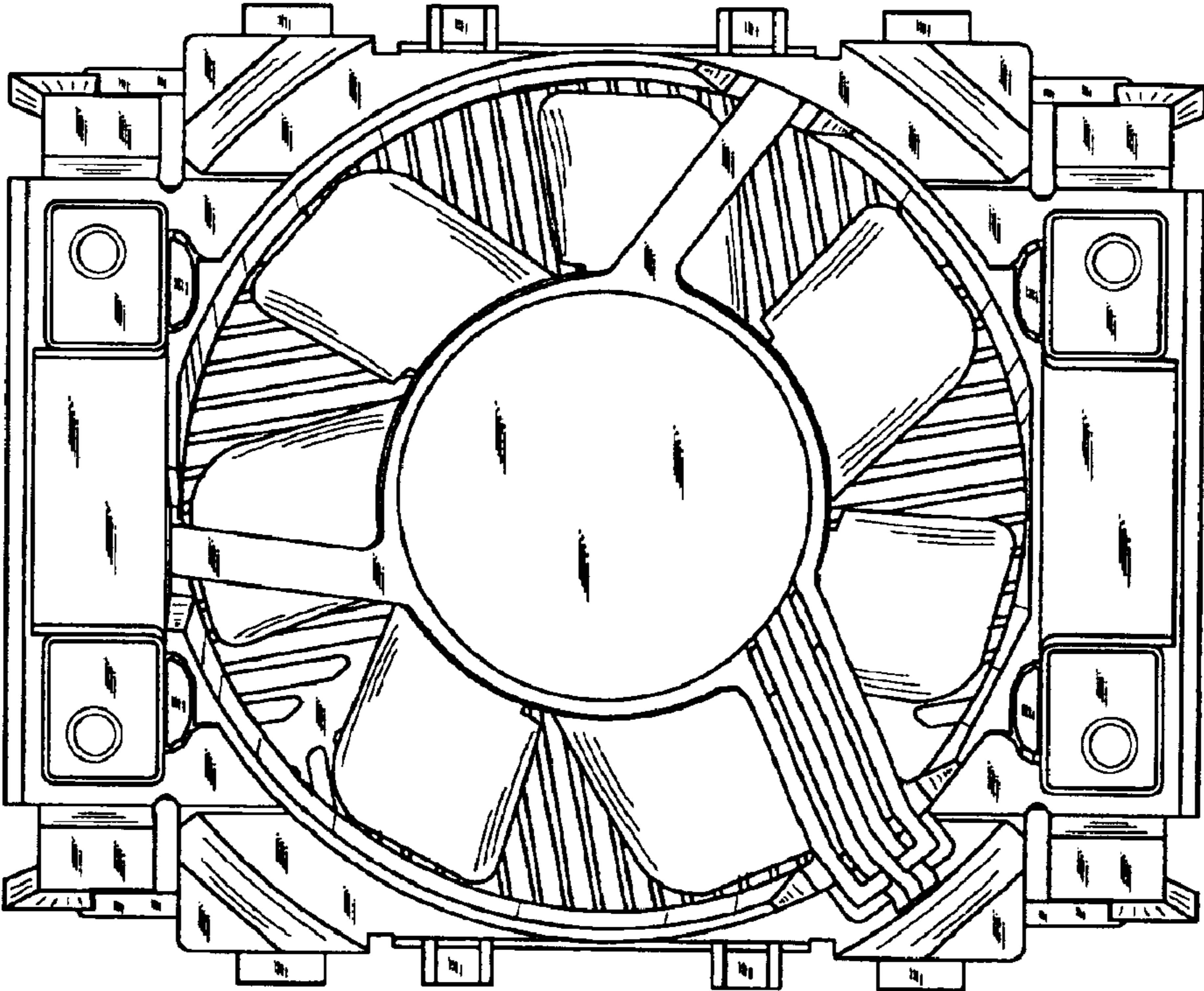


FIG. 6

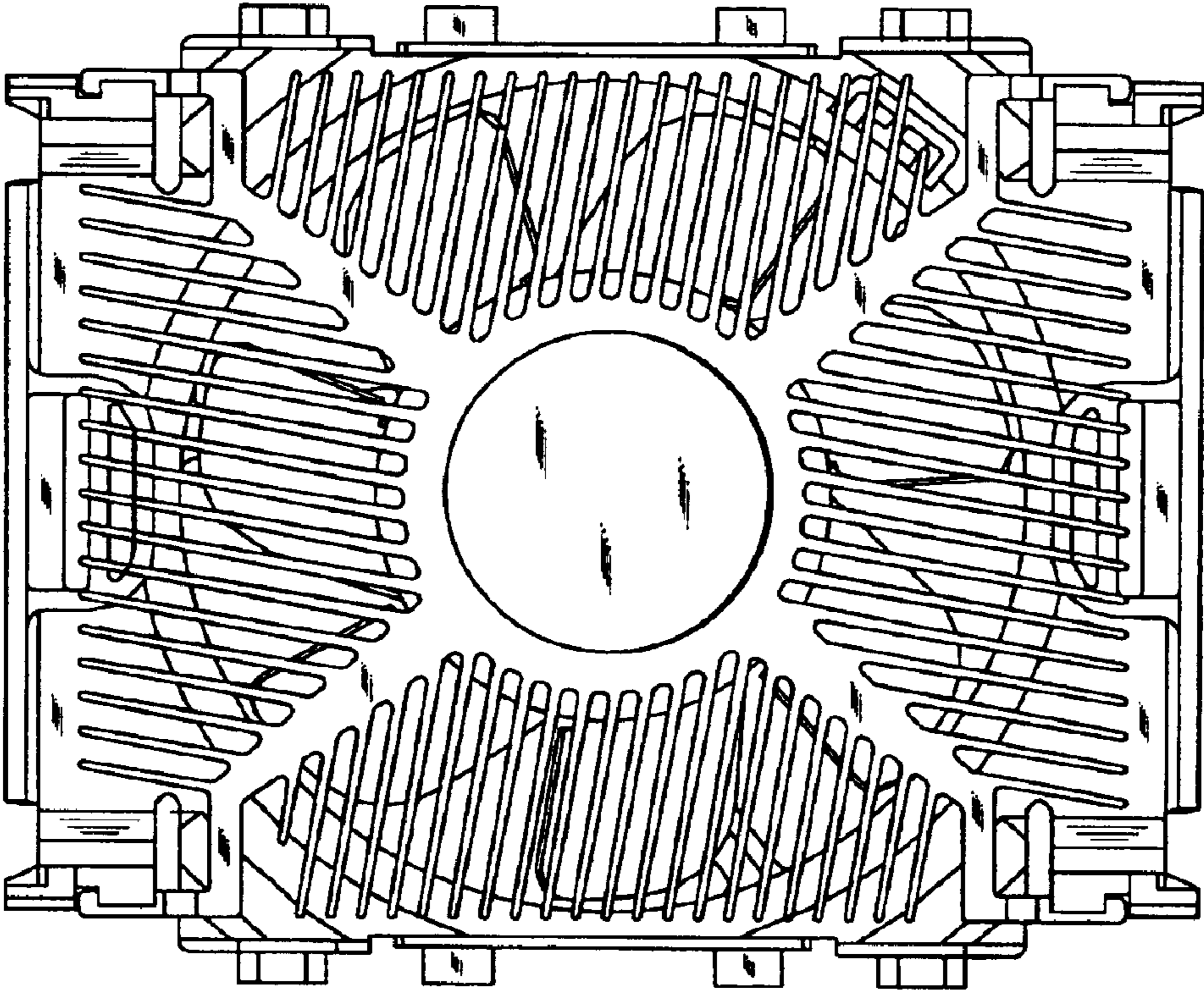


FIG. 7

