



US00D516524S

(12) **United States Design Patent**
Su

(10) **Patent No.:** **US D516,524 S**
(45) **Date of Patent:** **** Mar. 7, 2006**

(54) **ELECTRICAL CONNECTOR CONTACT**

(75) Inventor: **Chia Sheng Su, Tucheng (TW)**

(73) Assignee: **Cheng Uei Precision Industry Co., Ltd., Taipei (TW)**

(**) Term: **14 Years**

(21) Appl. No.: **29/219,492**

(22) Filed: **Dec. 20, 2004**

(51) **LOC (8) Cl.** **13-03**

(52) **U.S. Cl.** **D13/154**

(58) **Field of Classification Search** D13/133,
D13/146-149, 154; 439/215, 281, 342, 630,
439/350, 397, 401, 404, 745, 748, 834, 845,
439/849-852, 861-862

See application file for complete search history.

(56) **References Cited**

U.S. PATENT DOCUMENTS

3,012,221	A	*	12/1961	Stanley	439/830
D269,778	S	*	7/1983	McGregor	D13/154
D337,991	S	*	8/1993	Linton et al.	D13/133
D453,739	S	*	2/2002	Lin	D13/148

D454,545	S	*	3/2002	Hayashi et al.	D13/154
6,402,571	B1	*	6/2002	Muller et al.	439/745
D478,316	S	*	8/2003	Kondas	D13/146
D486,790	S	*	2/2004	Kondas	D13/133
D494,545	S	*	8/2004	Kuroda et al.	D13/154

* cited by examiner

Primary Examiner—Holly Baynham
Assistant Examiner—Cynthia M. Chin

(74) *Attorney, Agent, or Firm*—Rosenberg, Klein & Lee

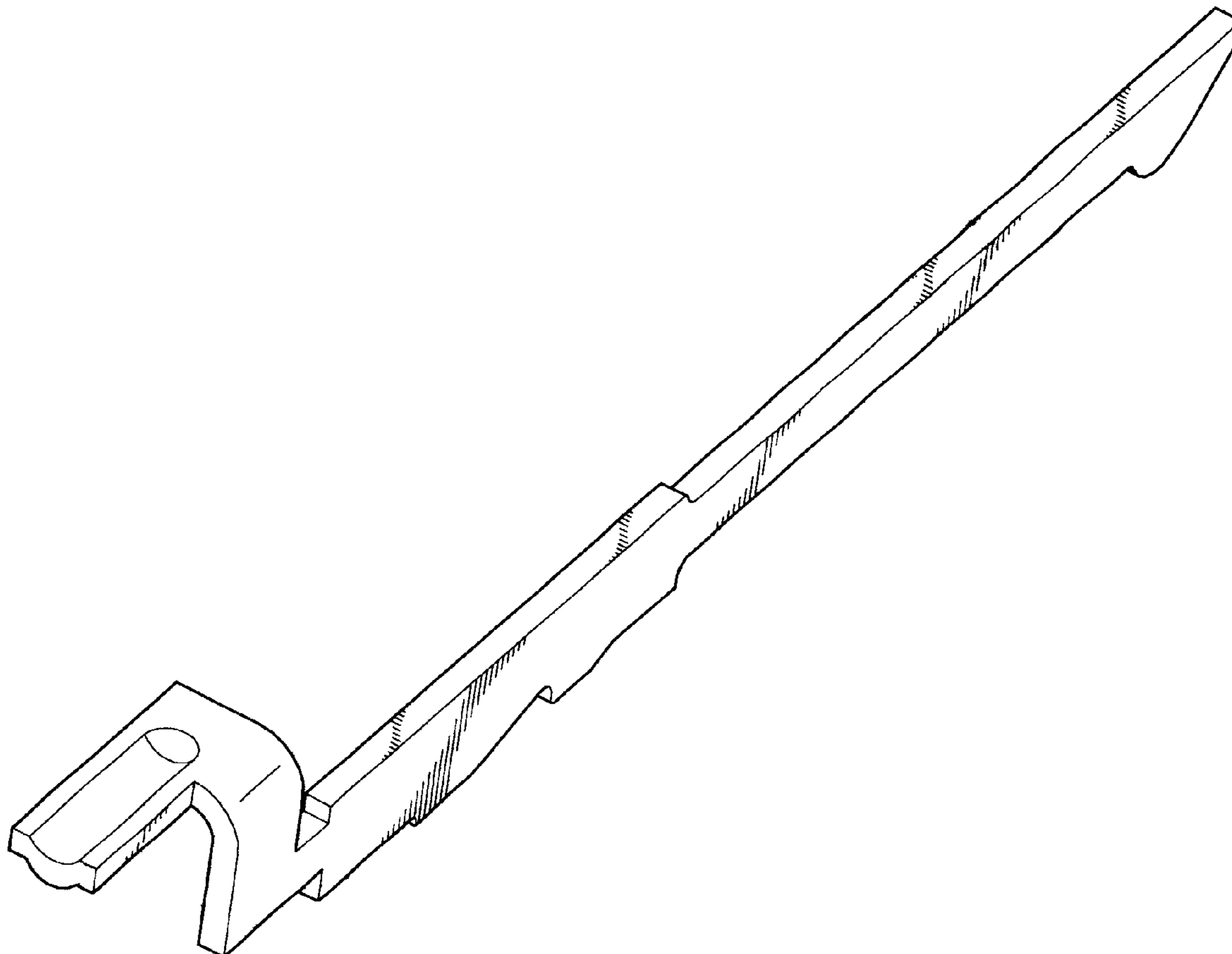
(57) **CLAIM**

The ornamental design for an electrical connector contact, as shown and described following.

DESCRIPTION

FIG. 1 is a perspective view of an electrical connector contact showing the new design; FIG. 2 is a front elevational view thereof; FIG. 3 is a rear elevational view thereof; FIG. 4 is a left side elevational view thereof; FIG. 5 is a right side elevational view thereof; FIG. 6 is a top plan view thereof; and, FIG. 7 is a bottom plan view thereof.

1 Claim, 4 Drawing Sheets



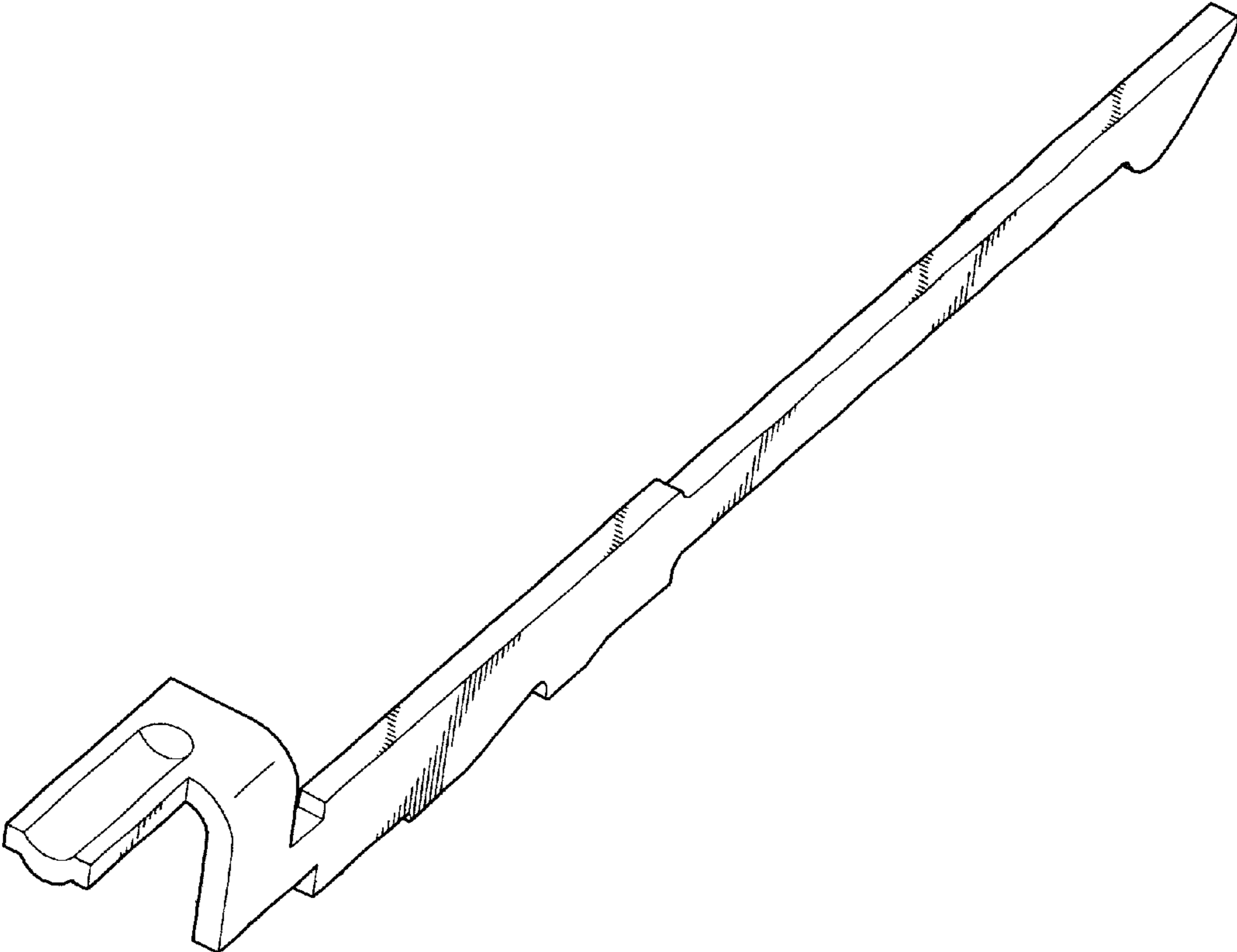


FIG.1

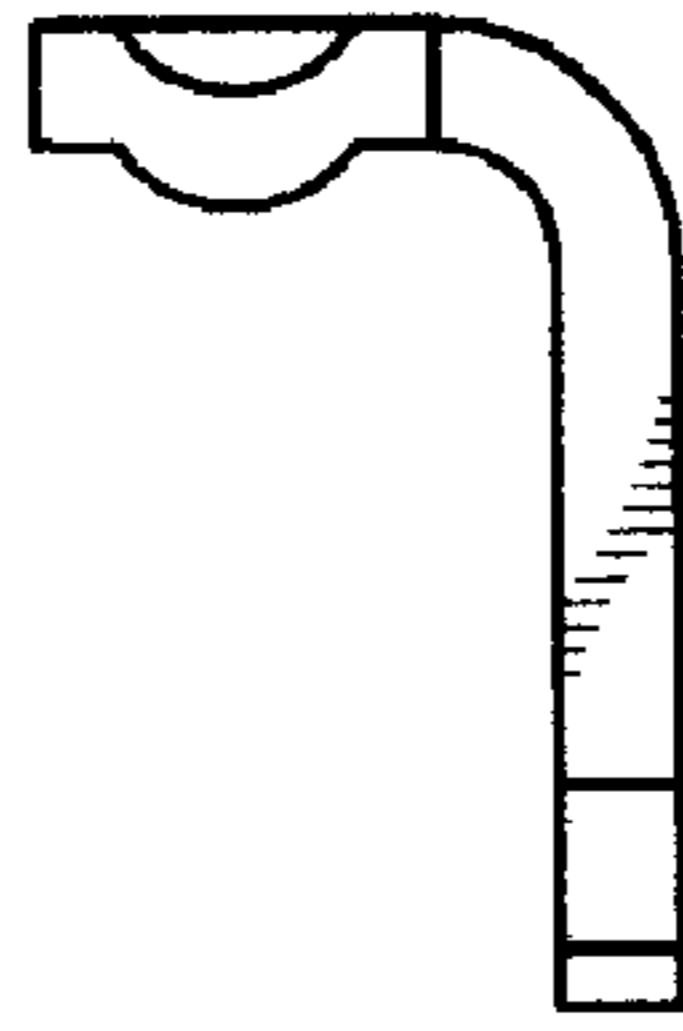


FIG. 2

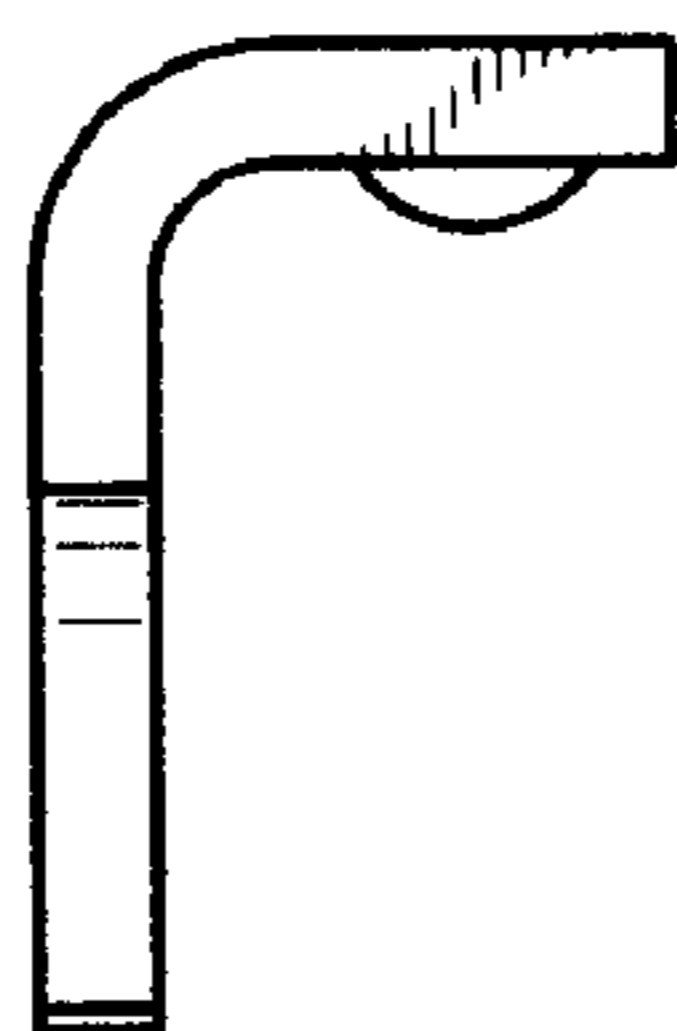


FIG. 3

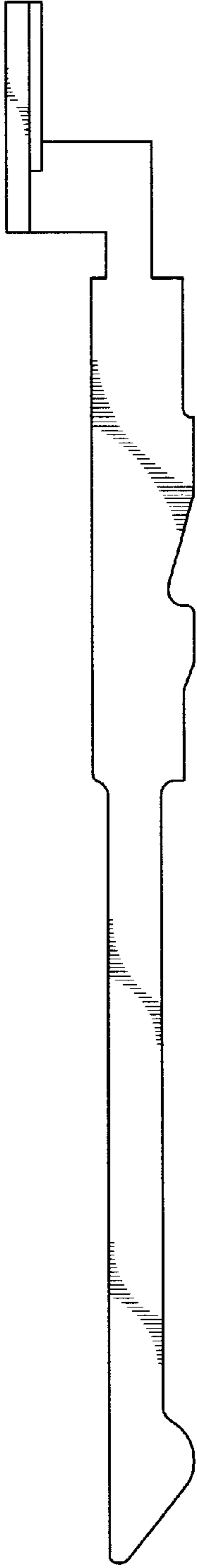


FIG.4

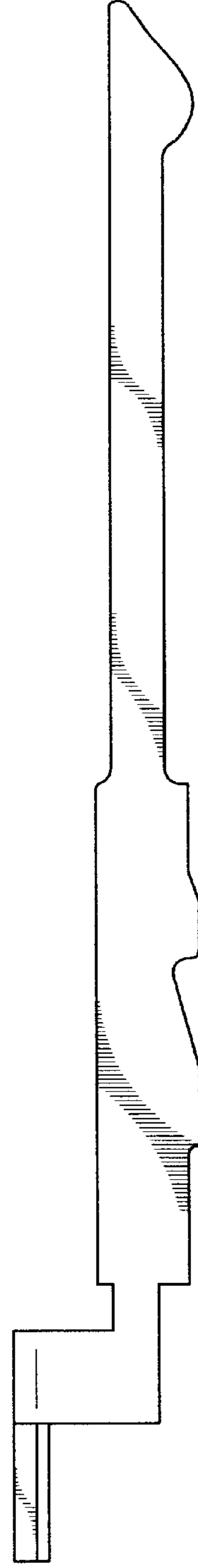


FIG.5

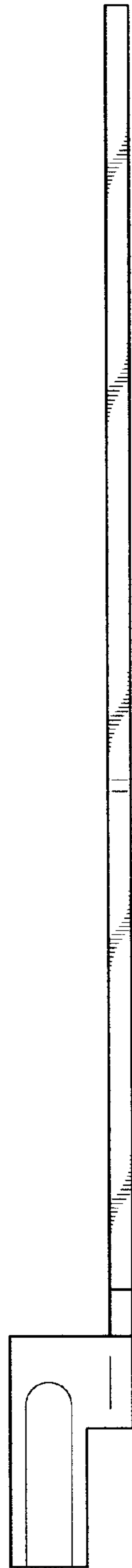


FIG. 6

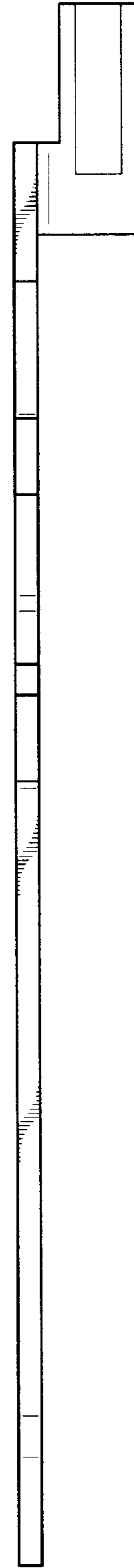


FIG. 7