



US00D516523S

(12) **United States Design Patent**
Kondas

(10) **Patent No.:** **US D516,523 S**
(45) **Date of Patent:** **** Mar. 7, 2006**

- (54) **DC DISTRIBUTION TERMINAL**
- (75) Inventor: **Shawn J. Kondas**, Kendallville, IN (US)
- (73) Assignee: **Pent Technologies, Inc.**, Kendallville, IN (US)
- (**) Term: **14 Years**
- (21) Appl. No.: **29/217,403**
- (22) Filed: **Nov. 16, 2004**
- (51) **LOC (8) Cl.** **13-03**
- (52) **U.S. Cl.** **D13/154**
- (58) **Field of Classification Search** D13/133, D13/146-149, 154; 439/215, 281, 342, 630, 439/350, 397, 401, 404, 745, 748, 834, 845, 439/849-852, 861-862
See application file for complete search history.

- D241,650 S * 9/1976 Pauza et al. D13/133
- 4,220,388 A * 9/1980 Dechelette 439/268
- D317,753 S * 6/1991 Kozono D13/148
- D318,267 S * 7/1991 Kozono D13/148
- D434,375 S * 11/2000 Kawamoto D13/133
- D478,317 S * 8/2003 Harper et al. D13/146

* cited by examiner

Primary Examiner—Holly Baynham
Assistant Examiner—Cynthia M. Chin
(74) *Attorney, Agent, or Firm*—Taylor & Aust, P.C.

(57) **CLAIM**

The ornamental design for a DC distribution terminal, as shown and described.

DESCRIPTION

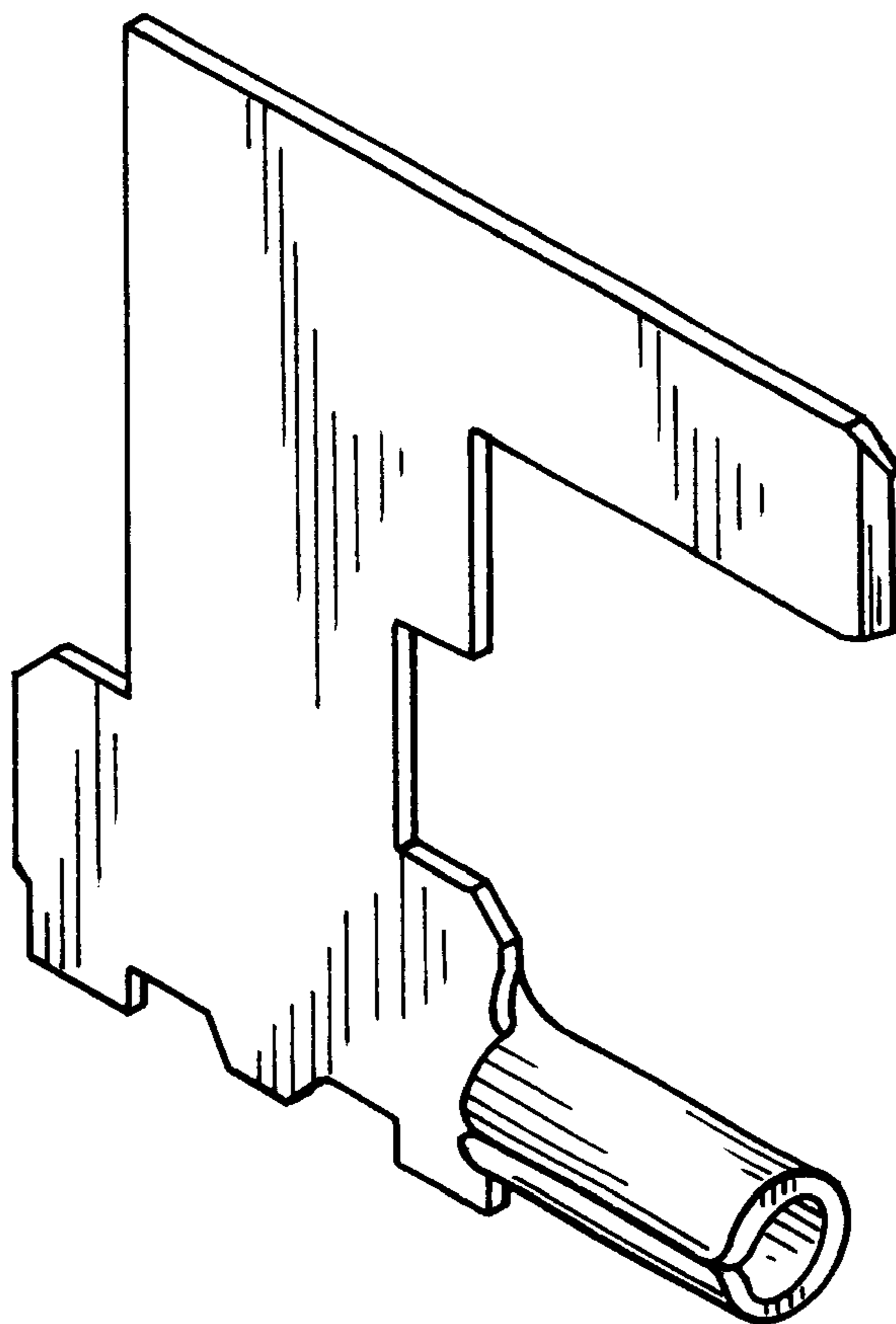
FIG. 1 is a perspective view of a DC distribution terminal showing my new design;
FIG. 2 is a front view thereof;
FIG. 3 is a rear view thereof;
FIG. 4 is a right side view thereof;
FIG. 5 is a top plan view thereof;
FIG. 6 is a left side view thereof; and,
FIG. 7 is a bottom plan view thereof.

1 Claim, 2 Drawing Sheets

(56) **References Cited**

U.S. PATENT DOCUMENTS

- 3,386,074 A * 5/1968 Woofter 439/748
- 3,550,069 A * 12/1970 Teagno et al. 439/849
- 3,729,701 A * 4/1973 Smith 439/858



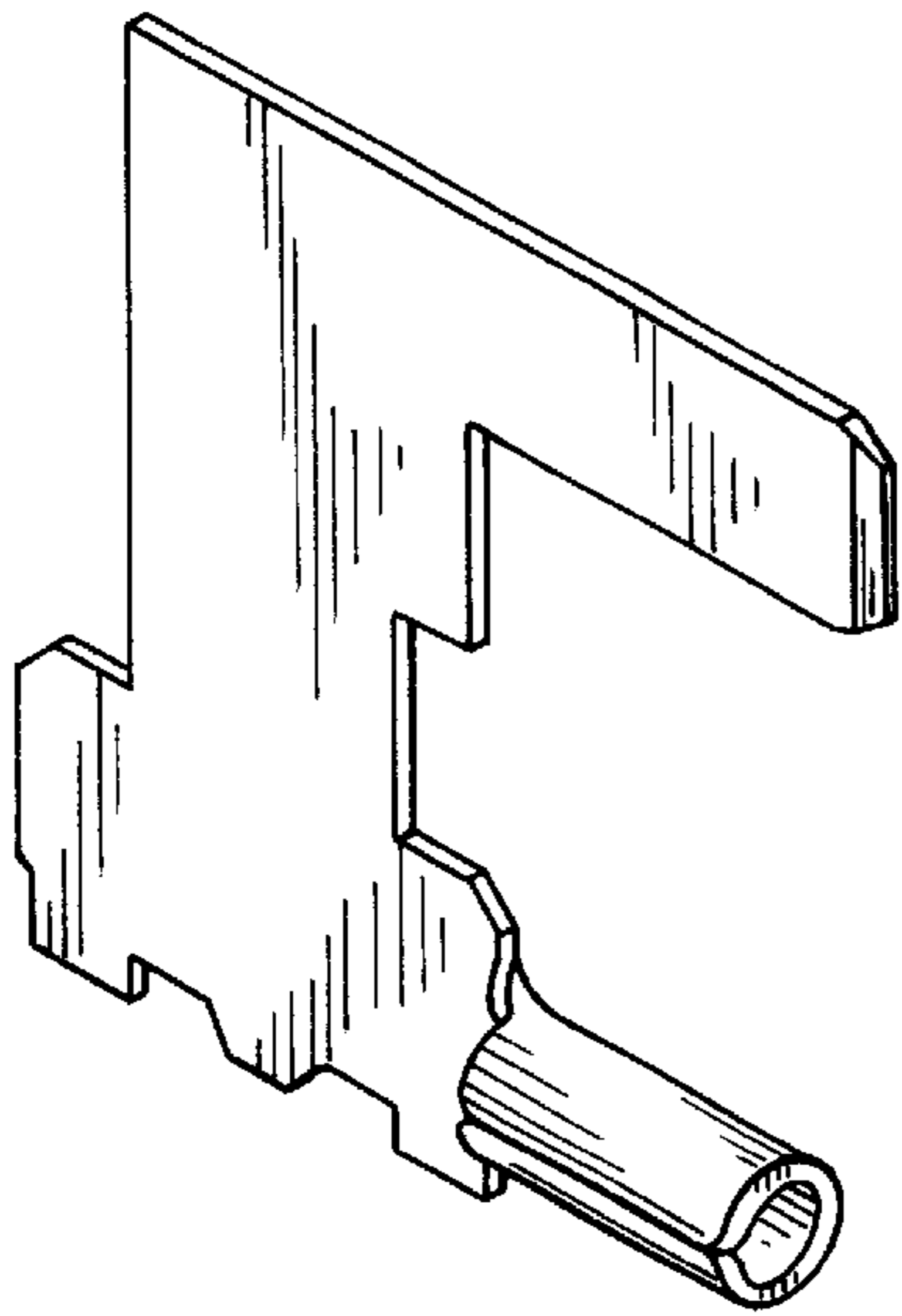


Fig. 1

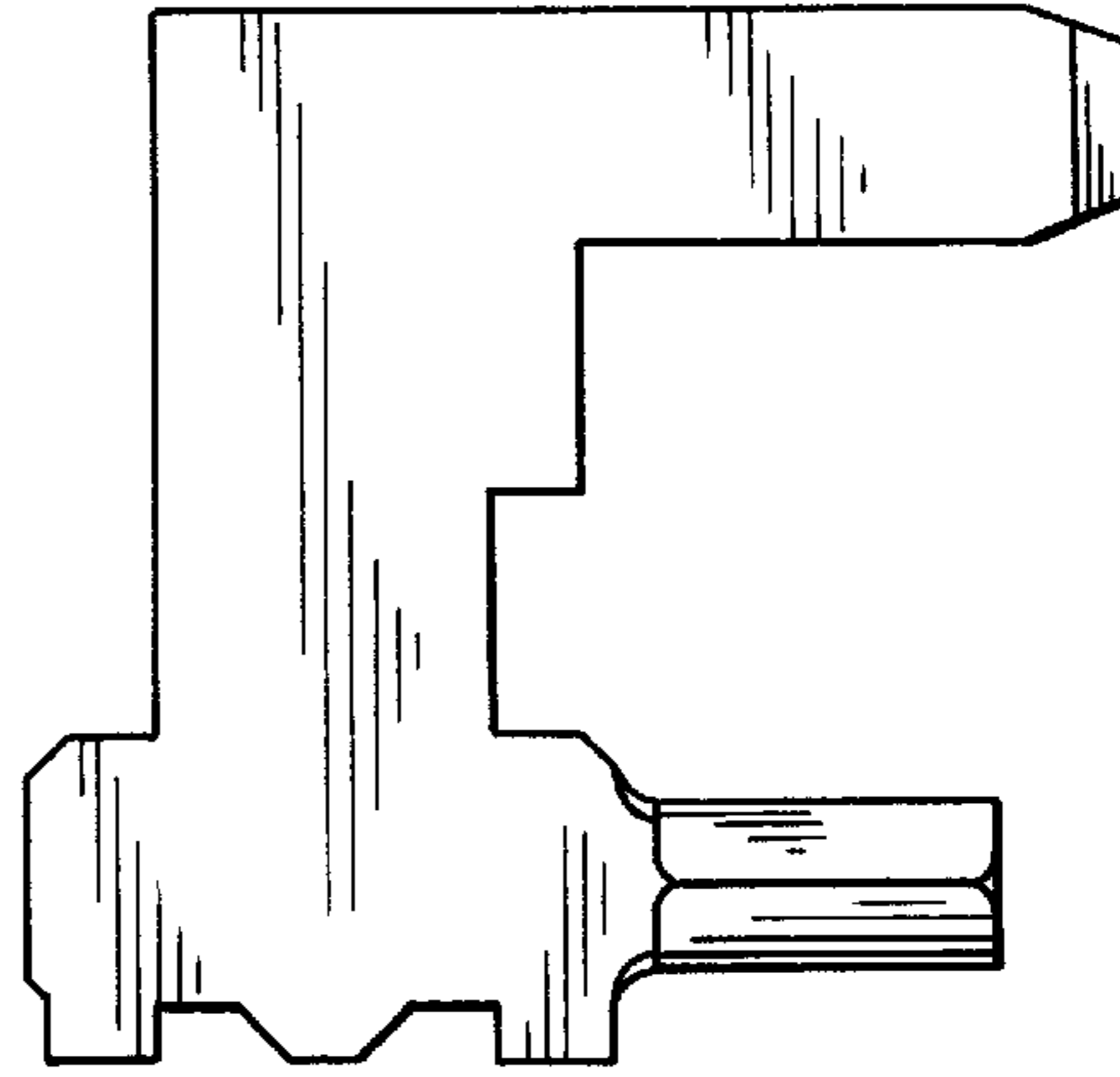


Fig. 2

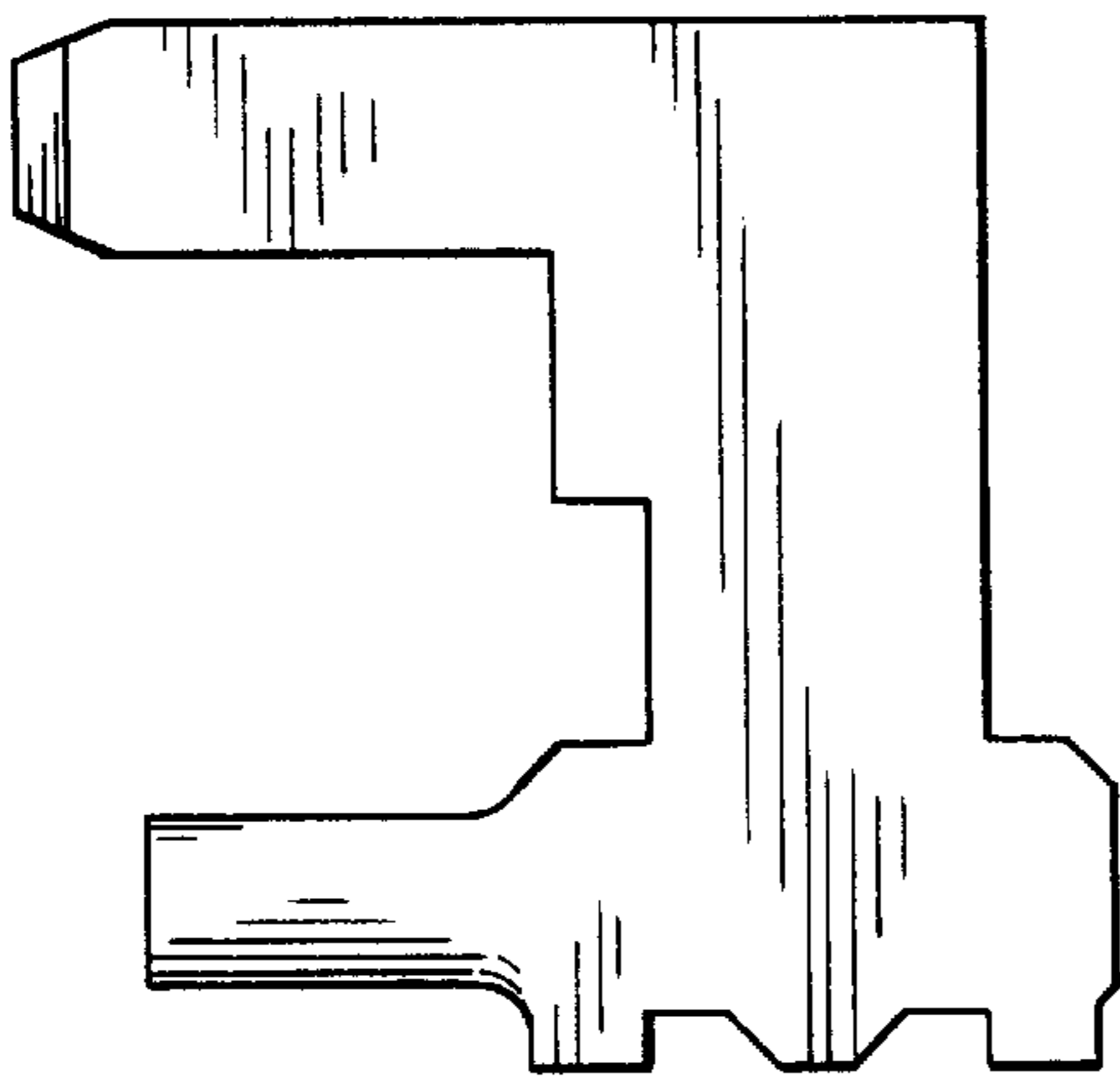


Fig. 3



Fig. 4



Fig. 5



Fig. 6



Fig. 7