



US00D516521S

(12) **United States Design Patent**  
**Yao et al.**

(10) **Patent No.: US D516,521 S**  
(45) **Date of Patent: \*\* Mar. 7, 2006**

(54) **ELECTRICAL CONTACT**

(75) Inventors: **Xianggui Yao**, Kunsan (CN); **Fujin Peng**, Kunsan (CN); **Nick Lin**, Tu-chen (TW)

(73) Assignee: **Hon Hai Precision Ind. Co., Ltd.**, Taipei Hsien (TW)

(\*\*) Term: **14 Years**

(21) Appl. No.: **29/214,640**

(22) Filed: **Oct. 5, 2004**

(30) **Foreign Application Priority Data**

Jun. 4, 2004 (TW) ..... 93303317

(51) **LOC (8) Cl.** ..... **13-03**

(52) **U.S. Cl.** ..... **D13/154**

(58) **Field of Classification Search** ..... D13/133,  
D13/146-149, 154; 439/215, 281, 342, 630,  
439/350, 397, 401, 404, 745, 748, 834, 845,  
439/849-852, 861-862

See application file for complete search history.

(56) **References Cited**

**U.S. PATENT DOCUMENTS**

3,012,221 A \* 12/1961 Deakin ..... 439/830  
D207,488 S \* 4/1967 Reynolds ..... D13/149  
D232,557 S \* 8/1974 Michel et al. .... D13/154  
4,941,842 A \* 7/1990 Nakashima et al. .... 439/399  
D337,991 S \* 8/1993 Linton et al. .... D13/133

5,766,045 A \* 6/1998 Sawaki et al. .... 439/857  
D402,571 S \* 12/1998 Pasquarette et al. .... D10/50  
D409,143 S \* 5/1999 Yoshiura ..... D13/133  
D409,145 S \* 5/1999 Yoshiura ..... D13/133  
D410,226 S \* 5/1999 Yoshiura ..... D13/133  
6,086,405 A \* 7/2000 Liebich ..... 439/397  
6,280,230 B1 \* 8/2001 Takase et al. .... 439/397  
D453,739 S \* 2/2002 Lin ..... D13/148  
6,402,571 B1 \* 6/2002 Muller et al. .... 439/745  
D464,322 S \* 10/2002 Hiramoto et al. .... D13/154  
D464,323 S \* 10/2002 Harasawa et al. .... D13/154  
D481,966 S \* 11/2003 Journe ..... D10/126  
D486,790 S \* 2/2004 Kondas ..... D13/133  
D494,545 S \* 8/2004 Kuroda et al. .... D13/154

\* cited by examiner

*Primary Examiner*—Holly Baynham

*Assistant Examiner*—Cynthia M. Chin

(74) *Attorney, Agent, or Firm*—Wei Te Chung

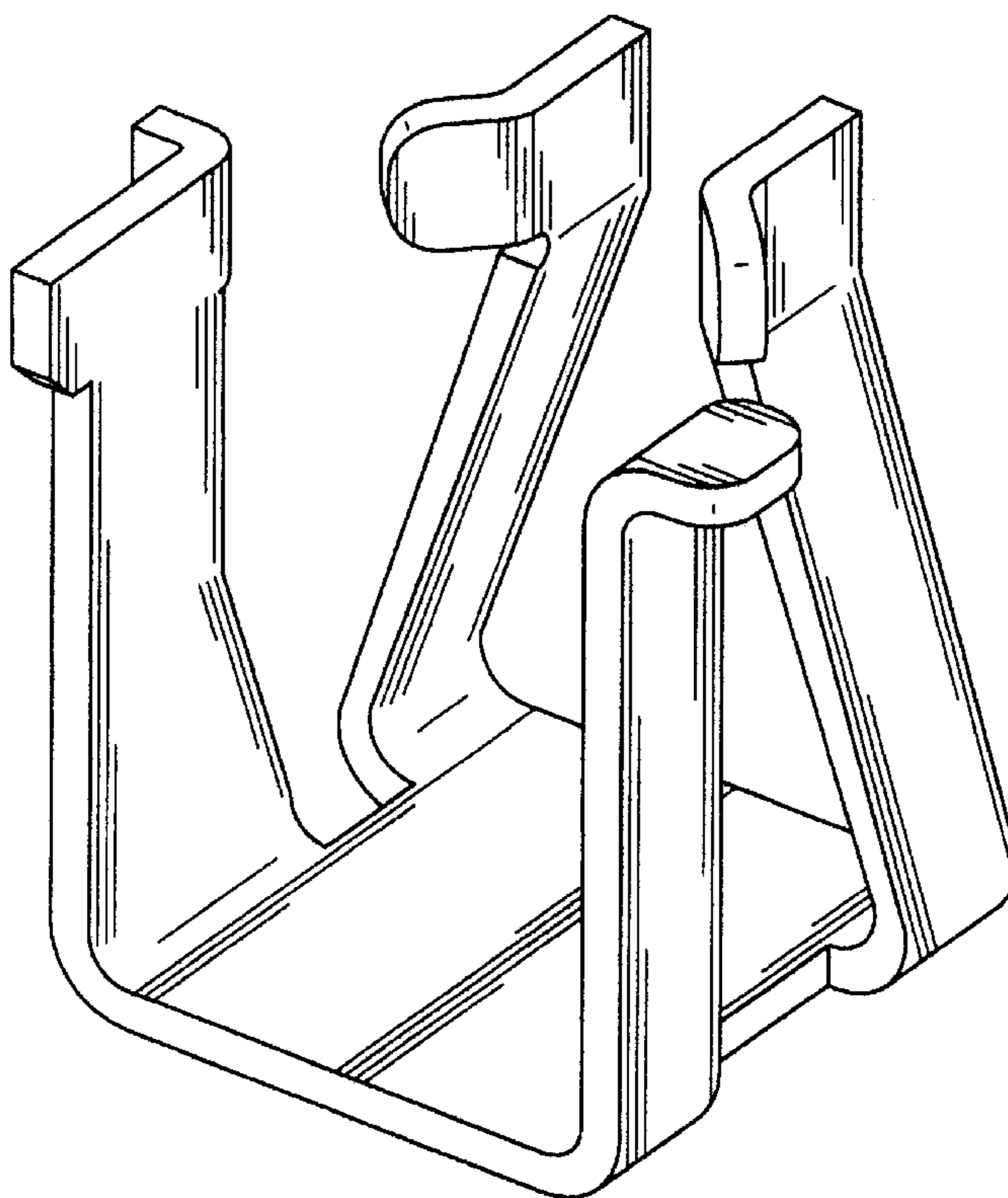
(57) **CLAIM**

The ornamental design for an electrical contact, as shown.

**DESCRIPTION**

FIG. 1 is a front, top and right side perspective view of an electrical contact showing our new design; FIG. 2 is a front elevational view thereof; FIG. 3 is a rear elevational view thereof; FIG. 4 is a left side elevational view thereof; FIG. 5 is a right side elevational view thereof; FIG. 6 is a top plan view thereof; and, FIG. 7 is a bottom plan view thereof.

**1 Claim, 7 Drawing Sheets**



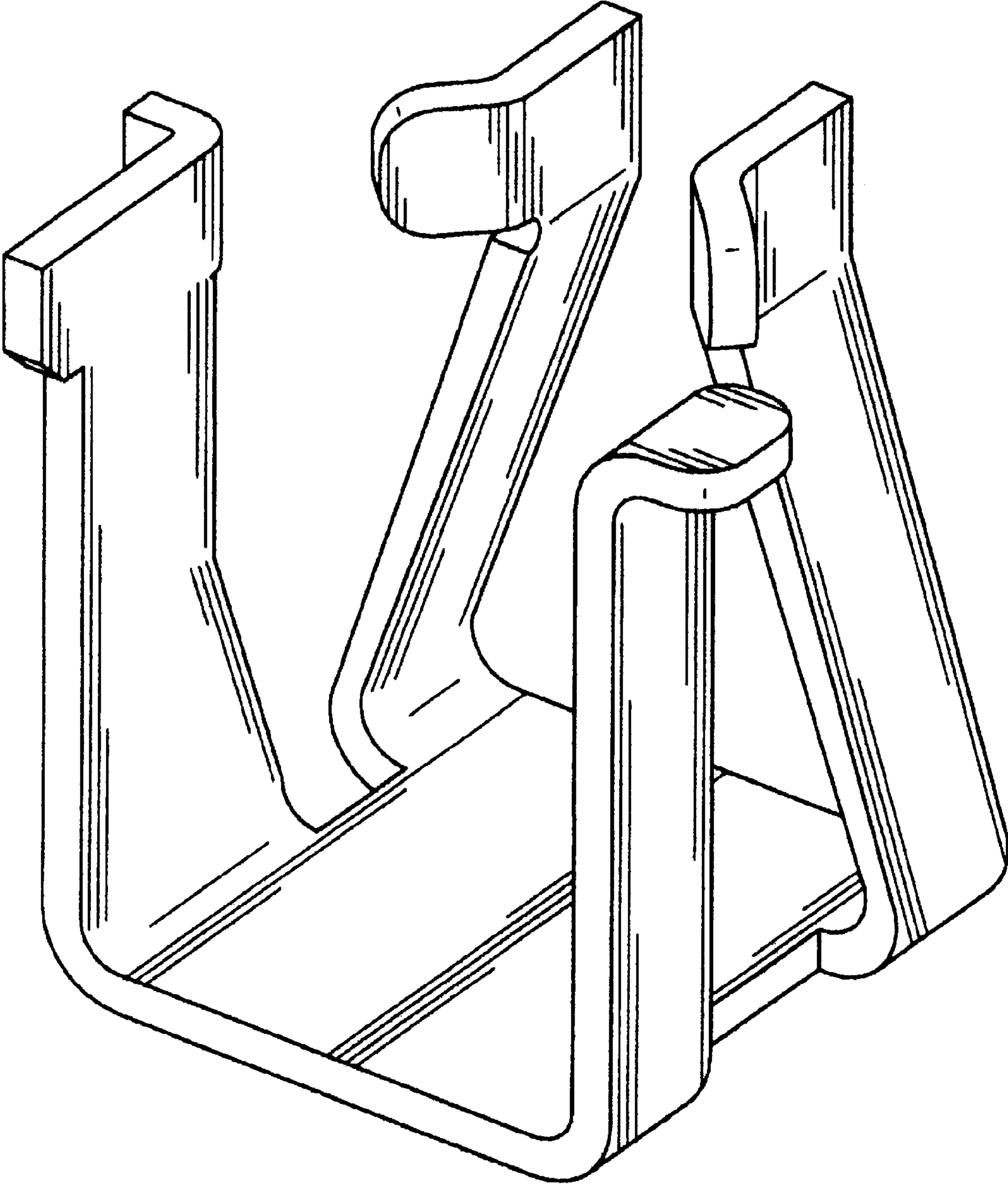


FIG. 1

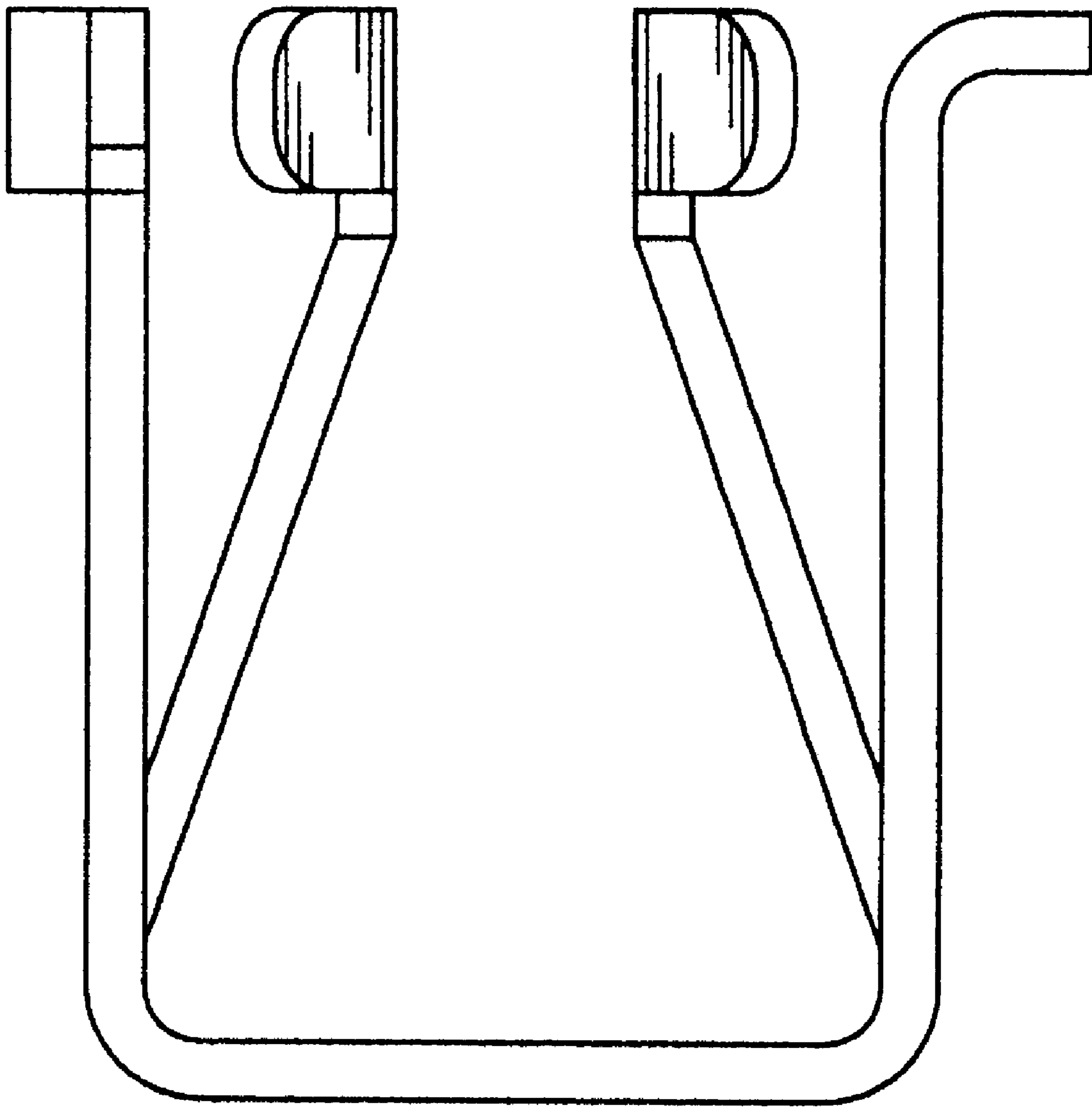


FIG. 2

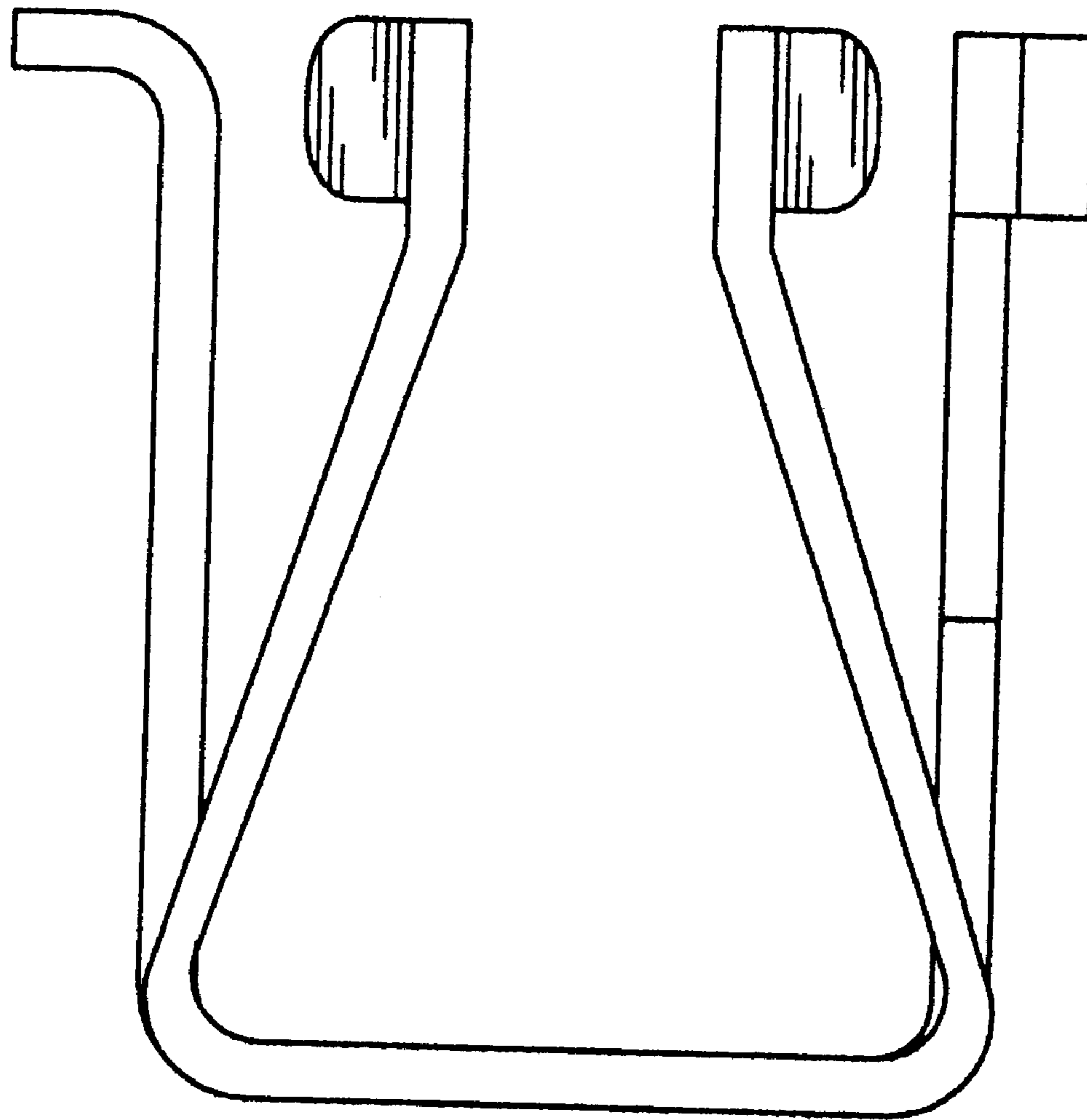


FIG. 3

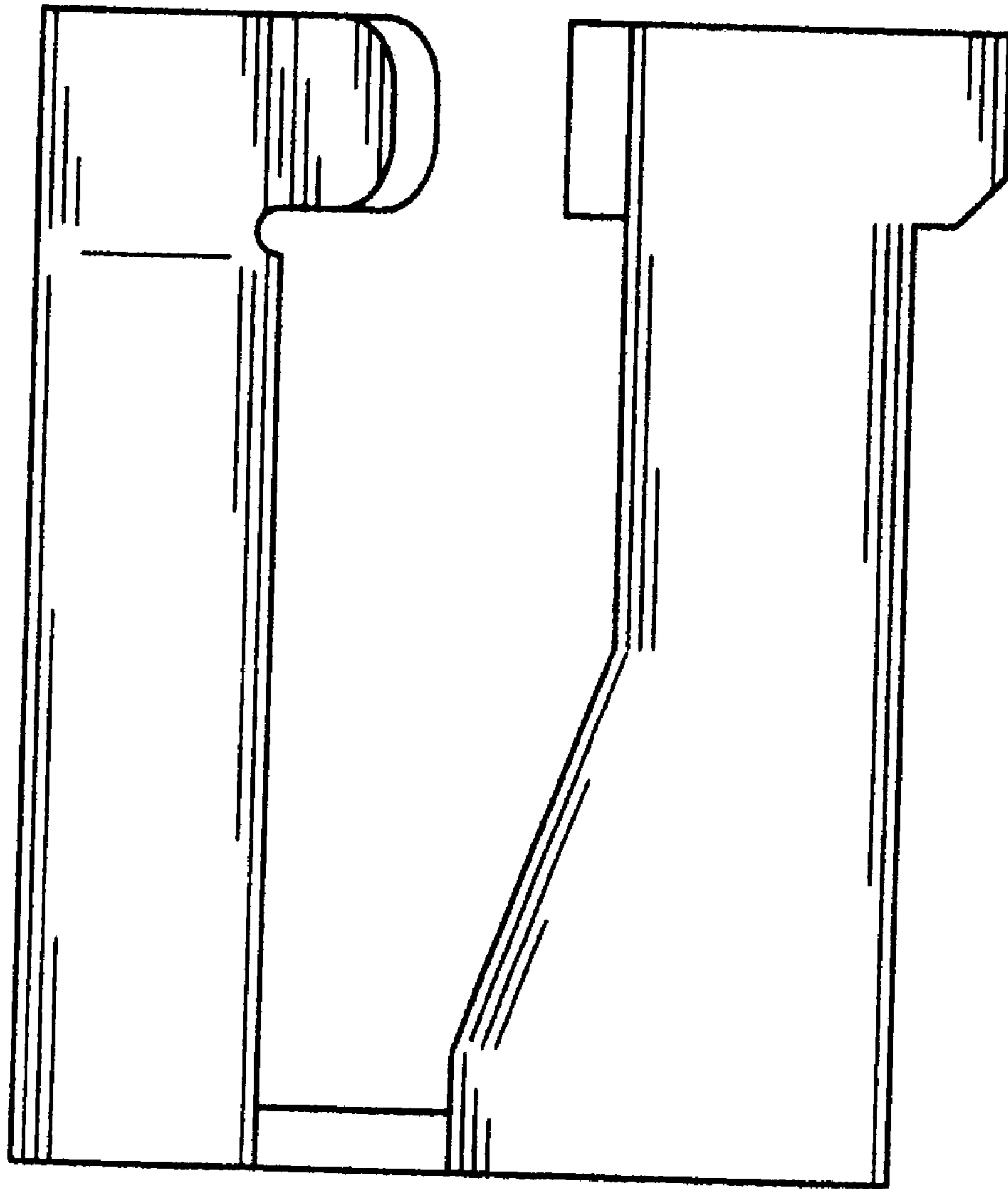


FIG. 4

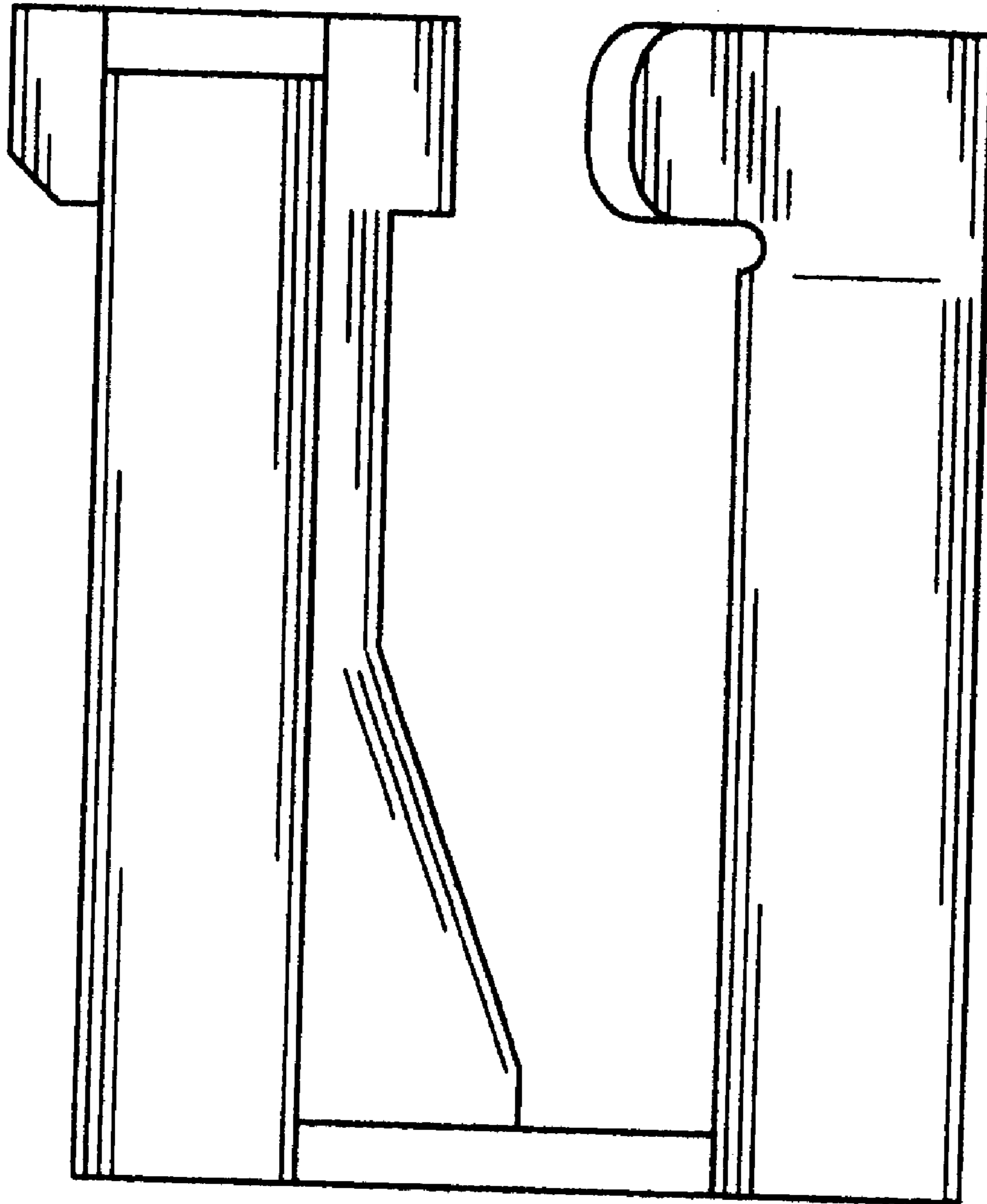


FIG. 5

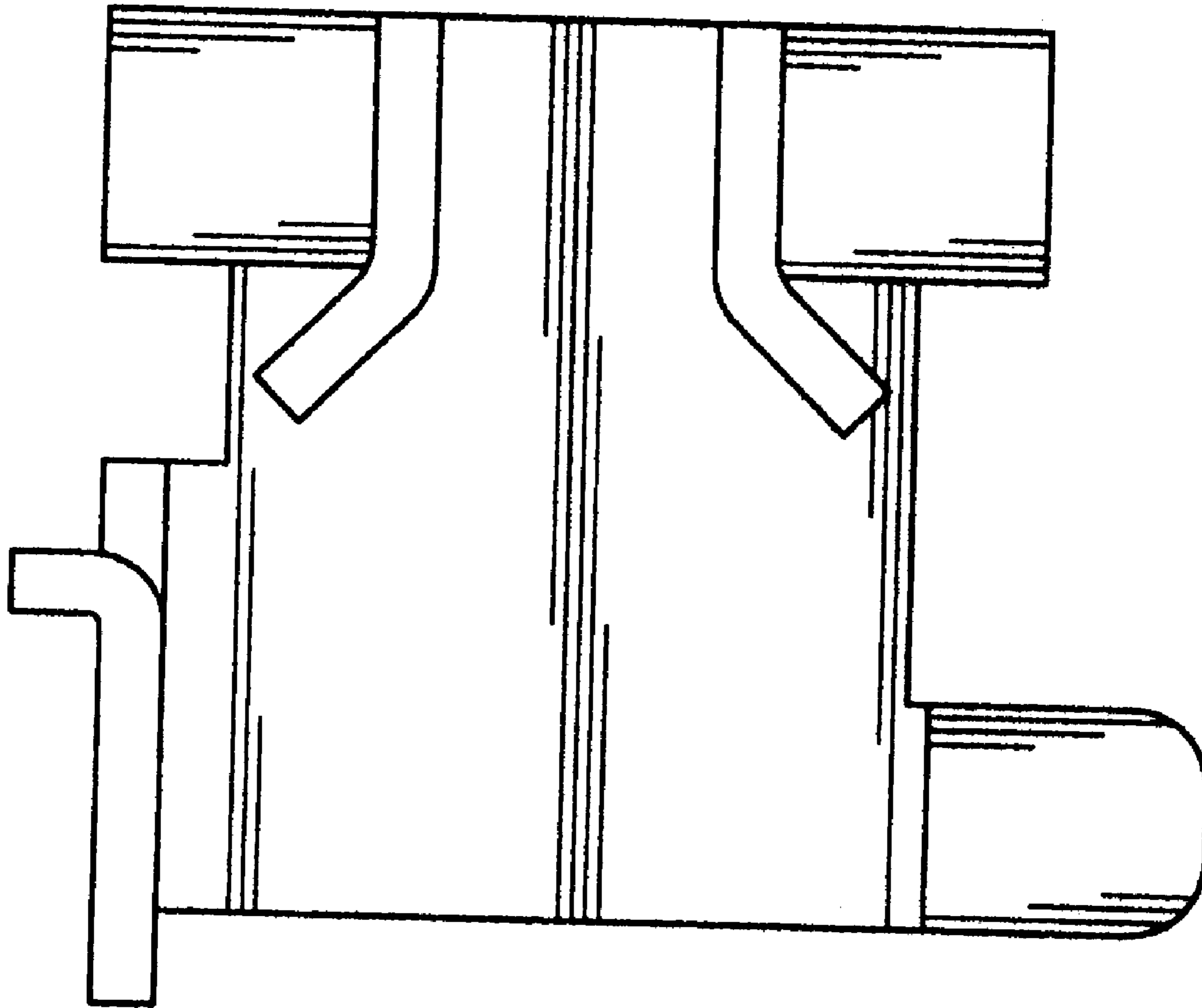


FIG. 6

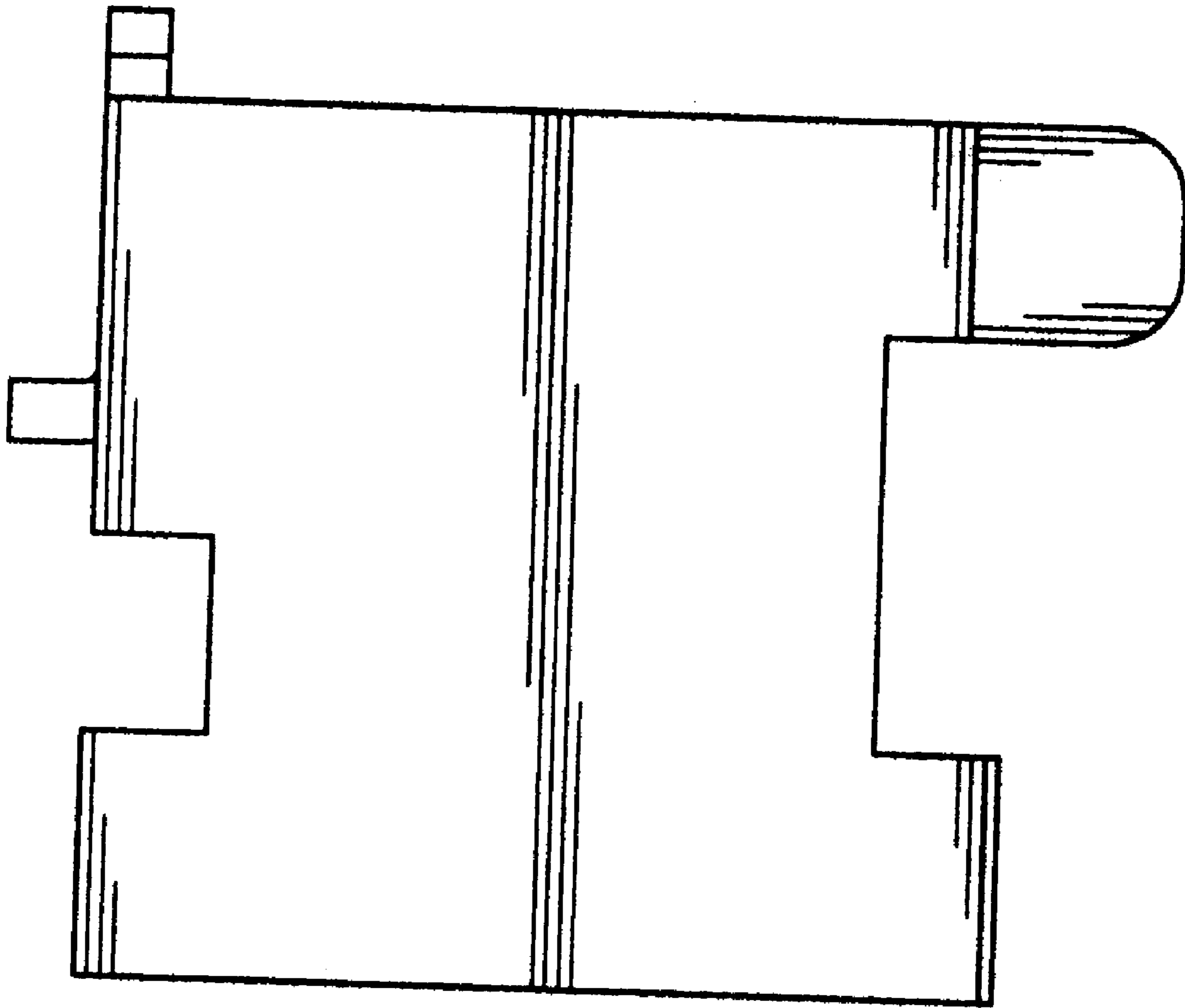


FIG. 7