



US00D516520S

(12) **United States Design Patent**  
**Sweeney**

(10) **Patent No.:** **US D516,520 S**  
(45) **Date of Patent:** **\*\* Mar. 7, 2006**

(54) **INTERCONNECT FOR ELECTRICALLY CONNECTING PLURAL ELECTRICALLY CONDUCTIVE NEUTRAL BARS IN FIXED SPACED-APART RELATIONSHIP**

(75) Inventor: **Thomas M. Sweeney**, Cincinnati, OH (US)

(73) Assignee: **Ilsco Corporation**, Cincinnati, OH (US)

(\*\*) Term: **14 Years**

(21) Appl. No.: **29/179,586**

(22) Filed: **Apr. 11, 2003**

**Related U.S. Application Data**

(63) Continuation-in-part of application No. 29/170,701, filed on Nov. 12, 2002.

(51) **LOC (8) Cl.** ..... **13-03**

(52) **U.S. Cl.** ..... **D13/154**

(58) **Field of Classification Search** ..... D13/154;  
D8/354; 174/6, 51, 40 CC, 135  
See application file for complete search history.

(56) **References Cited**

**U.S. PATENT DOCUMENTS**

- 2,909,757 A \* 10/1959 Speck ..... 439/723
- 3,757,170 A \* 9/1973 Kobryner ..... 361/644
- 4,231,633 A \* 11/1980 Luke et al. .... 439/723

- D291,406 S \* 8/1987 McNeese ..... D8/323
- D298,213 S \* 10/1988 Iati ..... D8/354
- D337,510 S \* 7/1993 Nasca ..... D8/354
- 5,901,028 A \* 5/1999 Hamard ..... 361/129
- 6,459,570 B1 \* 10/2002 Buchanan ..... 361/648
- 6,666,729 B1 \* 12/2003 Takamura et al. .... 439/723
- 2004/0072470 A1 \* 4/2004 Lang et al. .... 439/608

\* cited by examiner

*Primary Examiner*—Holly Baynham

*Assistant Examiner*—Cynthia M. Chin

(74) *Attorney, Agent, or Firm*—Wood, Herron & Evans, L.L.P.

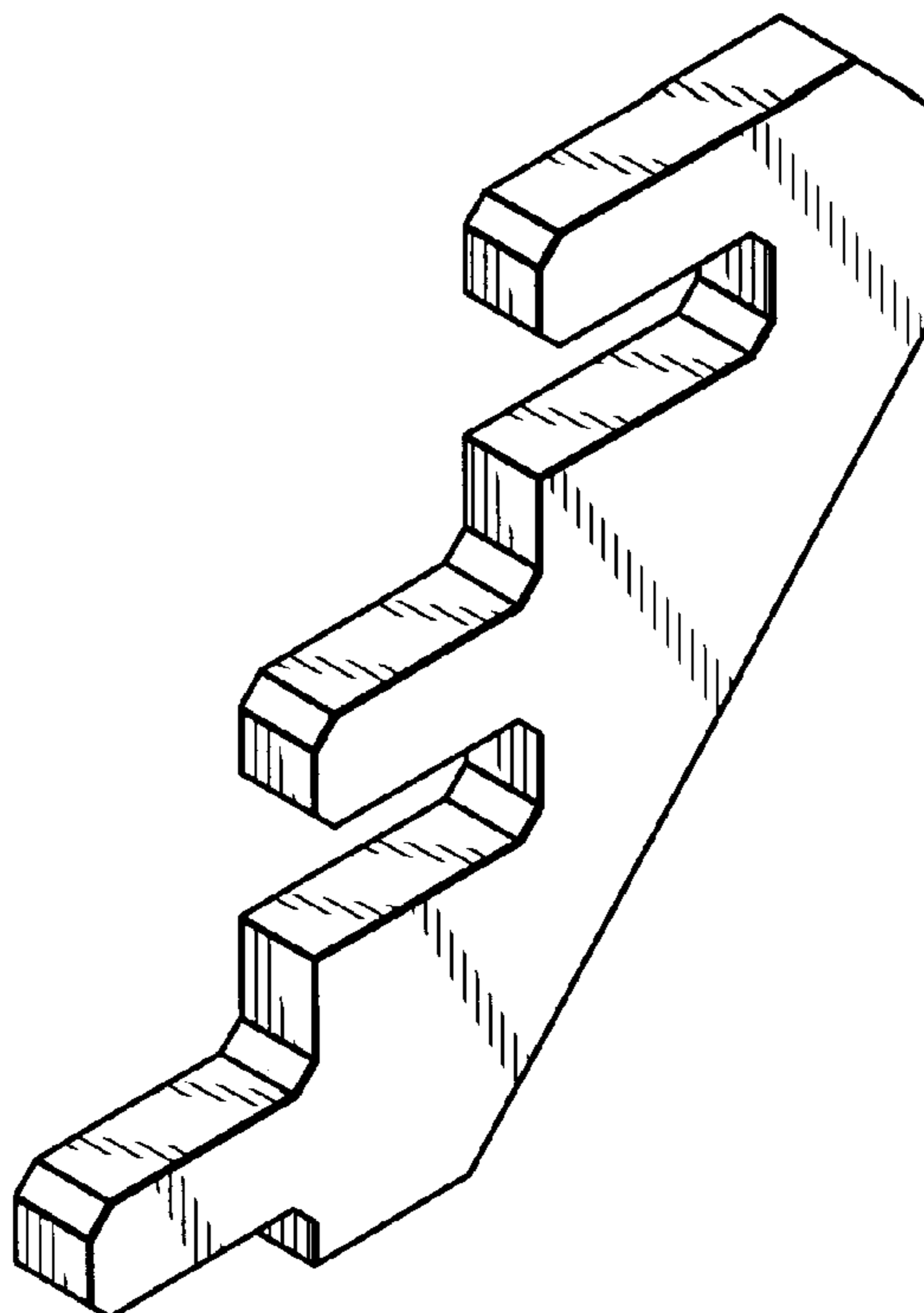
(57) **CLAIM**

The ornamental design for an interconnect for electrically connecting plural electrically conductive neutral bars in fixed spaced-apart relationship, as shown and described.

**DESCRIPTION**

FIG. 1 is a perspective view of the front, right side, and top of an interconnect for electrically connecting plural electrically conductive neutral bars in fixed spaced-apart relationship incorporating my new design; FIG. 2 is a front elevational view thereof; FIG. 3 is a right-side elevational view thereof, with the left-side elevational view being a mirror image of FIG. 3; FIG. 4 is a rear elevational view thereof; FIG. 5 is a top plan view thereof; and, FIG. 6 is a bottom plan view thereof.

**1 Claim, 1 Drawing Sheet**



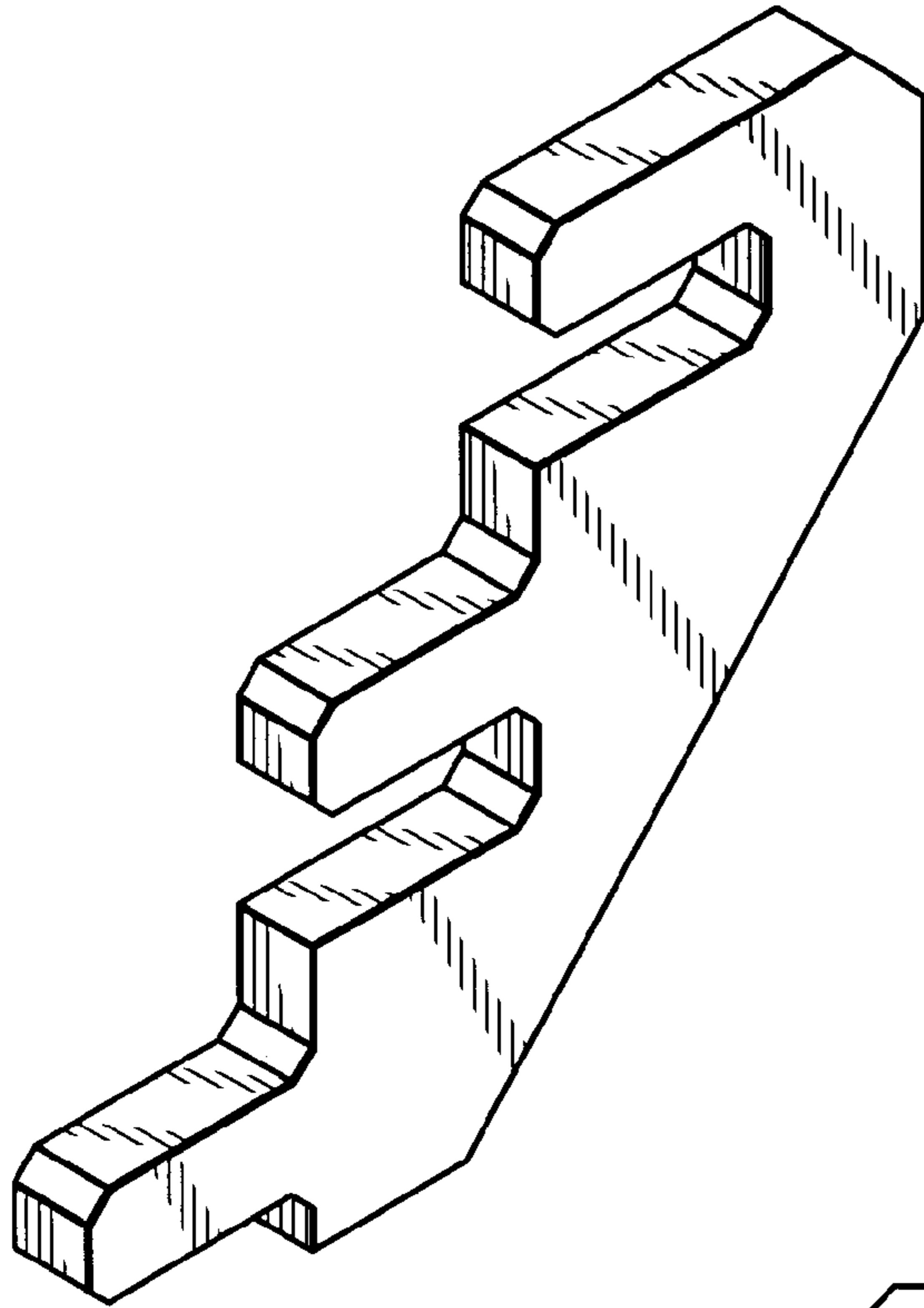


FIG. 1

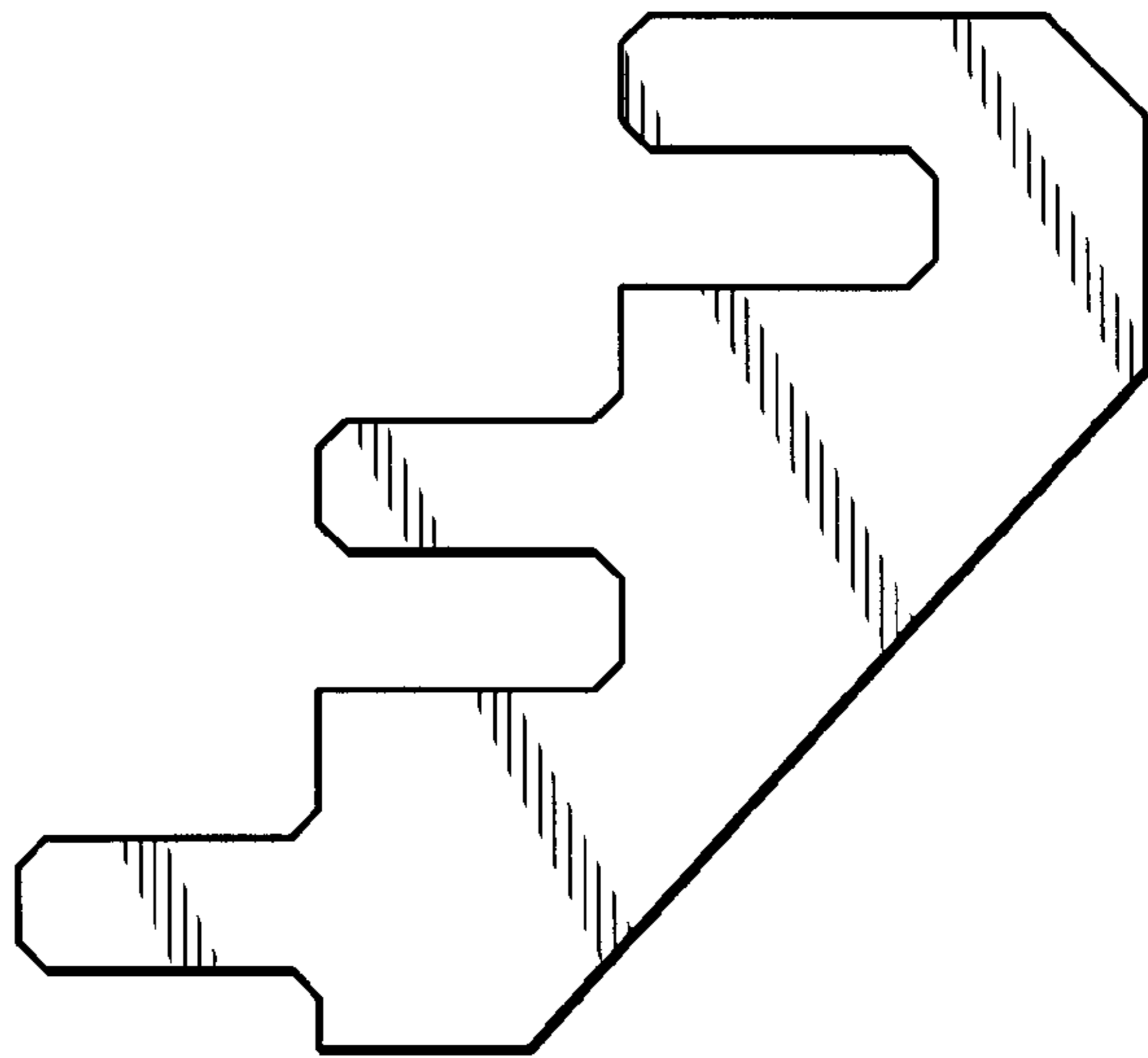


FIG. 3



FIG. 2

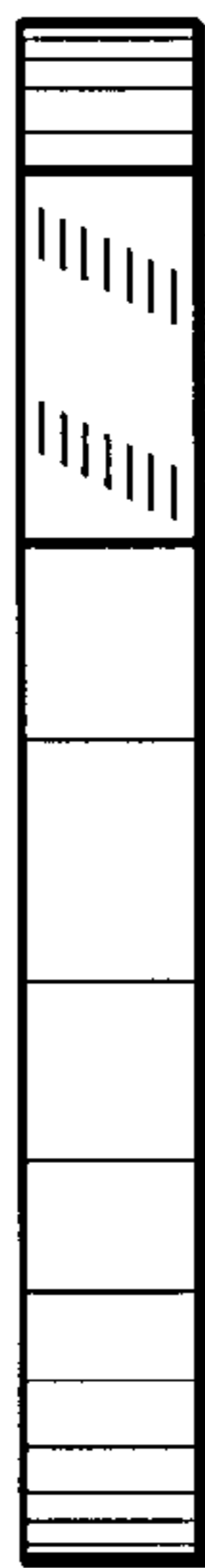


FIG. 4



FIG. 5



FIG. 6