

US00D516518S

(12) **United States Design Patent**  
**Meister**

(10) **Patent No.:** **US D516,518 S**  
(45) **Date of Patent:** **\*\* Mar. 7, 2006**

- (54) **SURFACE MOUNT CONNECTOR**
- (75) Inventor: **Douglas L. Meister**, Loganville, GA (US)
- (73) Assignee: **Scientific-Atlanta, Inc.**, Lawrenceville, GA (US)
- (\*\*) Term: **14 Years**
- (21) Appl. No.: **29/219,562**
- (22) Filed: **Dec. 17, 2004**
- (51) **LOC (8) Cl.** ..... **13-03**
- (52) **U.S. Cl.** ..... **D13/147**
- (58) **Field of Classification Search** ..... D13/133,  
D13/146-147, 184, 199; 439/74, 79, 83,  
439/108, 350, 378, 509, 637, 660  
See application file for complete search history.

(56) **References Cited**

**U.S. PATENT DOCUMENTS**

- 5,183,405 A \* 2/1993 Elicker et al. .... 439/108
- 5,478,248 A \* 12/1995 Mitra et al. .... 439/74
- 5,545,051 A \* 8/1996 Summers et al. .... 439/350
- 5,639,251 A \* 6/1997 Harting et al. .... 439/79
- 5,713,755 A \* 2/1998 Koopman et al. .... 439/378

- D407,383 S \* 3/1999 Kataoka et al. .... D13/182
- D455,125 S \* 4/2002 Shimoyama et al. .... D13/147
- D500,738 S \* 1/2005 Obikane et al. .... D13/147
- D500,739 S \* 1/2005 Nishida et al. .... D13/147
- 6,855,004 B1 \* 2/2005 Soh ..... 439/509
- D502,921 S \* 3/2005 Zhang et al. .... D13/147
- 2004/0102065 A1 \* 5/2004 Obikane et al. .... 439/74

\* cited by examiner

*Primary Examiner*—Stella Reid  
*Assistant Examiner*—Daniel Bui

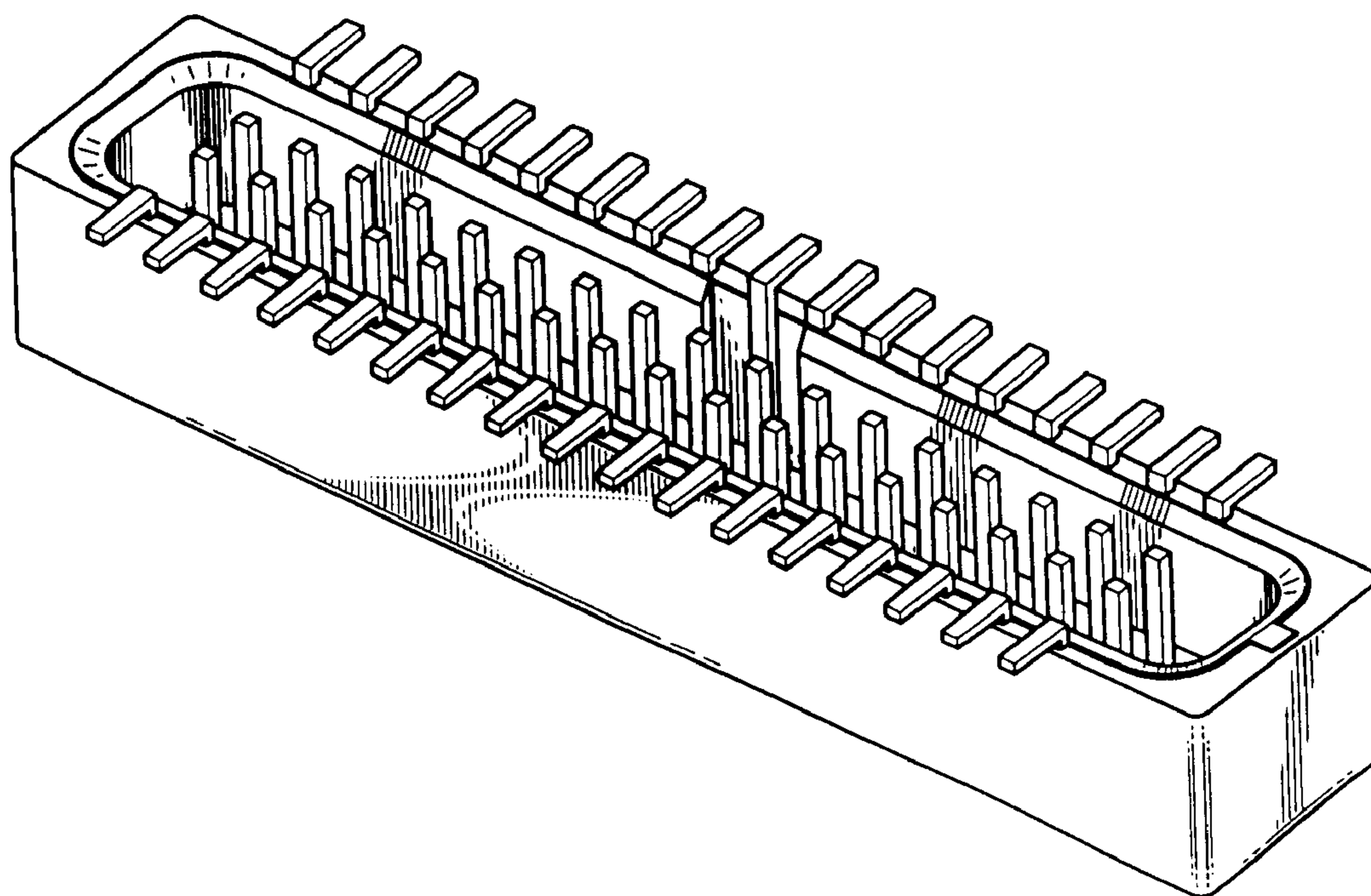
(57) **CLAIM**

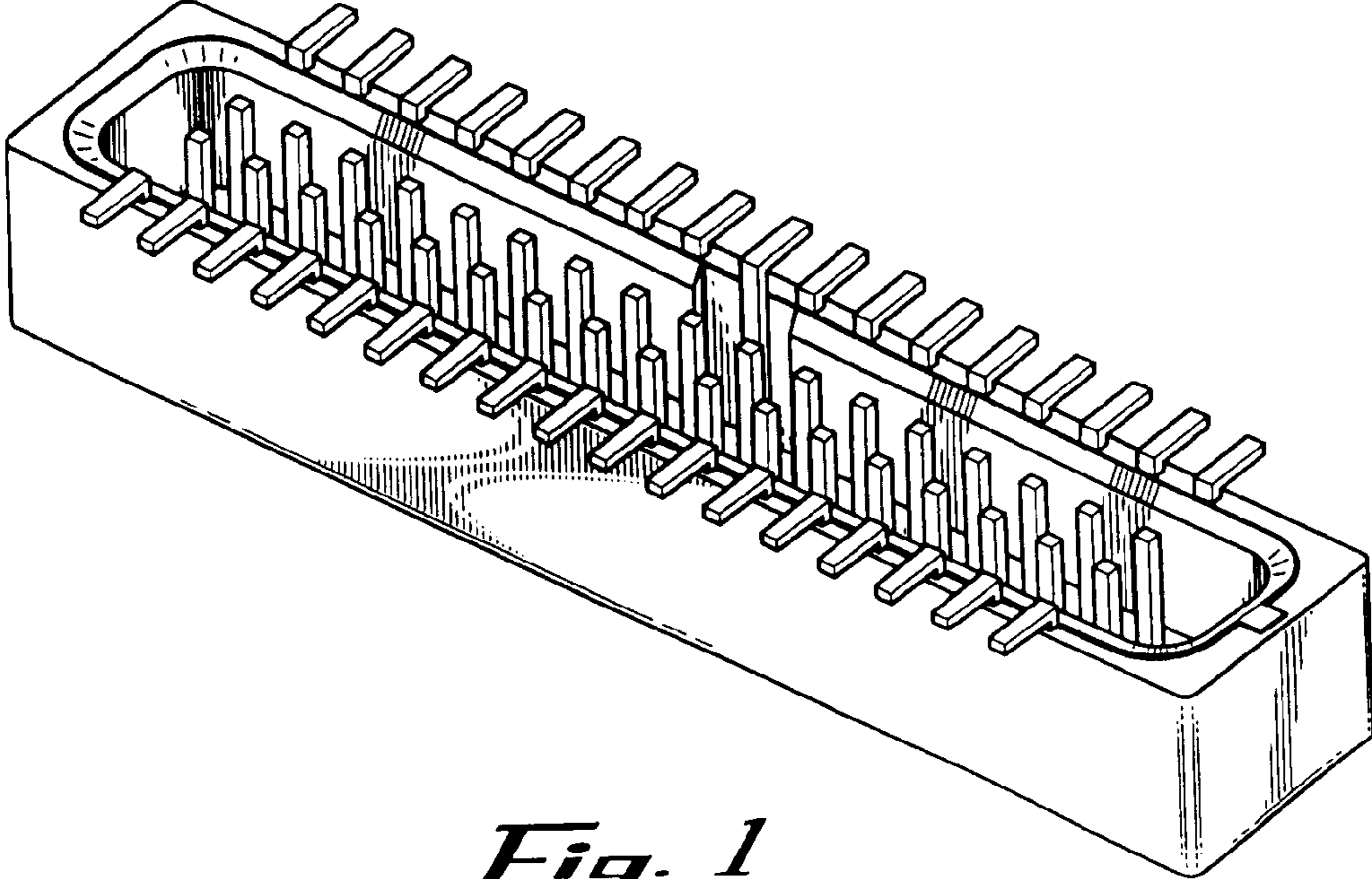
The ornamental design for a surface mount connector, as shown and described.

**DESCRIPTION**

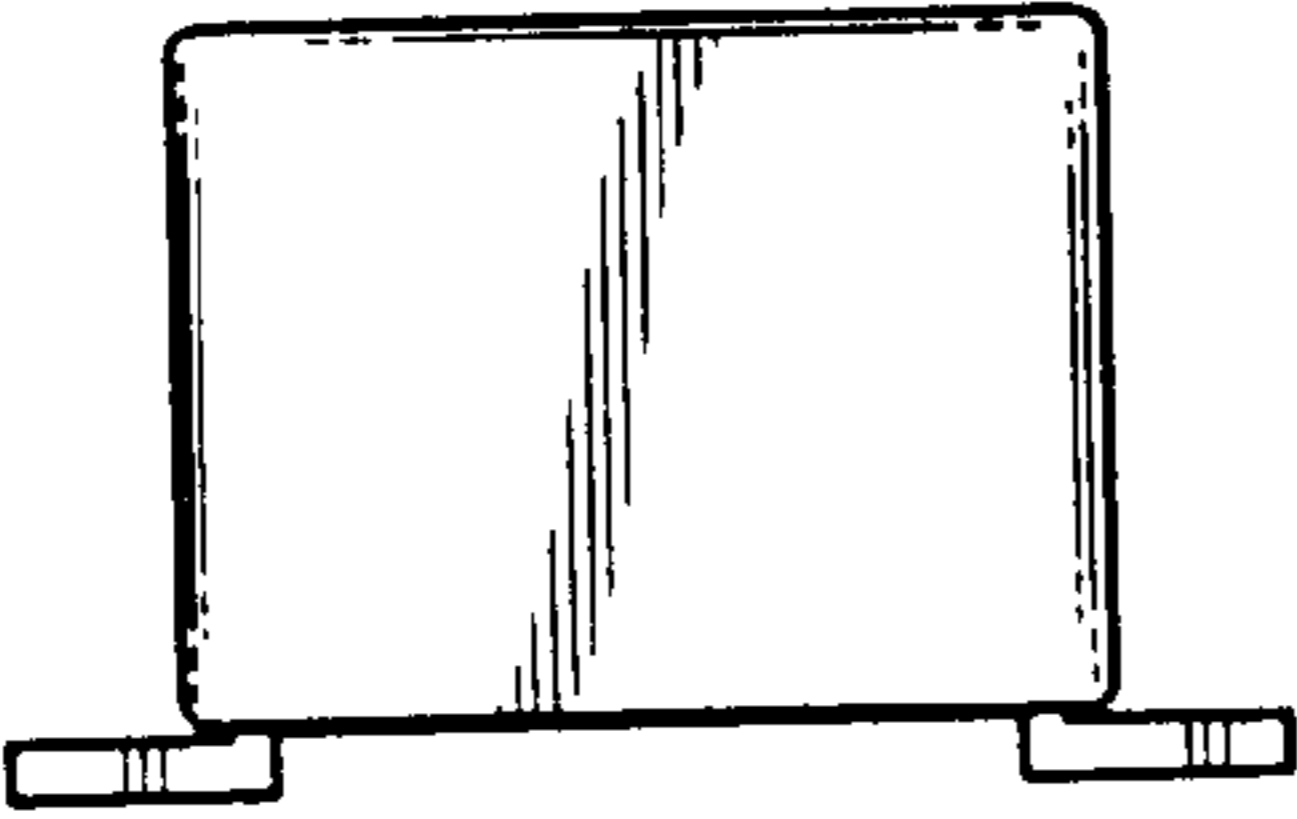
FIG. 1 is a perspective view of a surface mount connector according to the present invention; FIG. 2 is a left end view of the design shown in FIG. 1; FIG. 3 is a right end view of the design shown in FIG. 1; FIG. 4 is a top view of the design shown in FIG. 1; FIG. 5 is a side view of the design shown in FIG. 1, the opposite side of which is a mirror image; and, FIG. 6 is a bottom view of the design shown in FIG. 1.

**1 Claim, 2 Drawing Sheets**

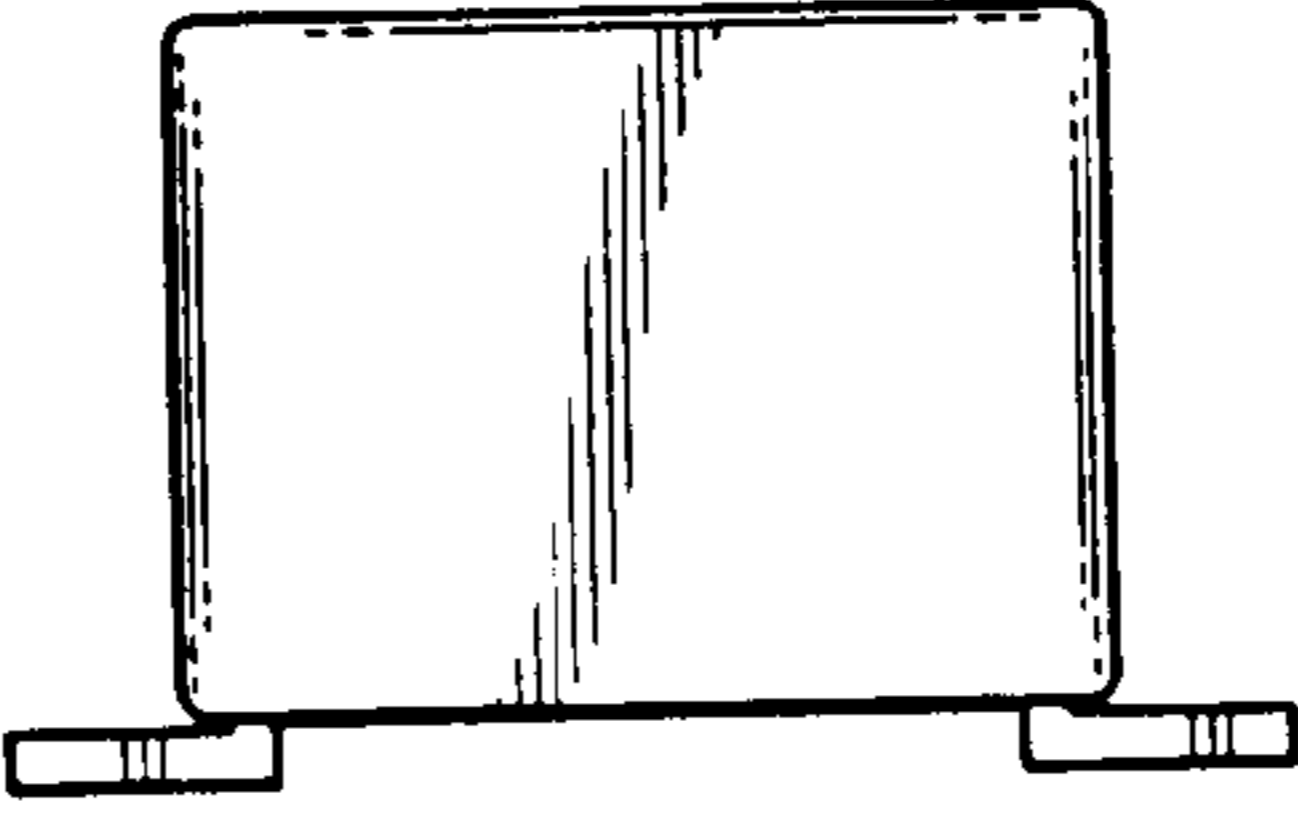




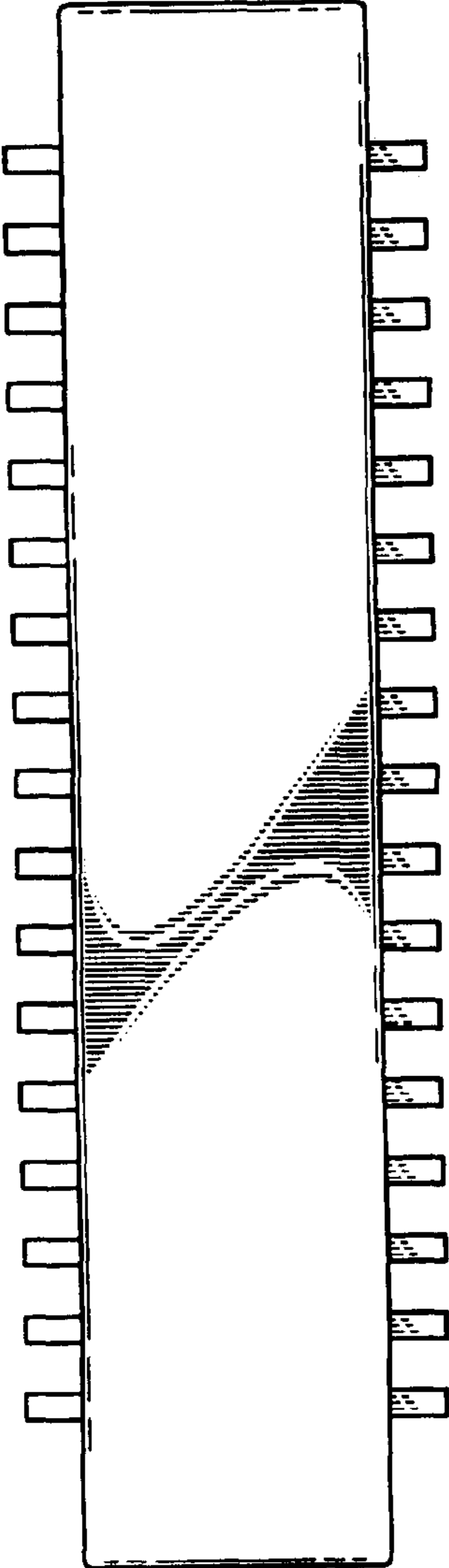
*Fig. 1*



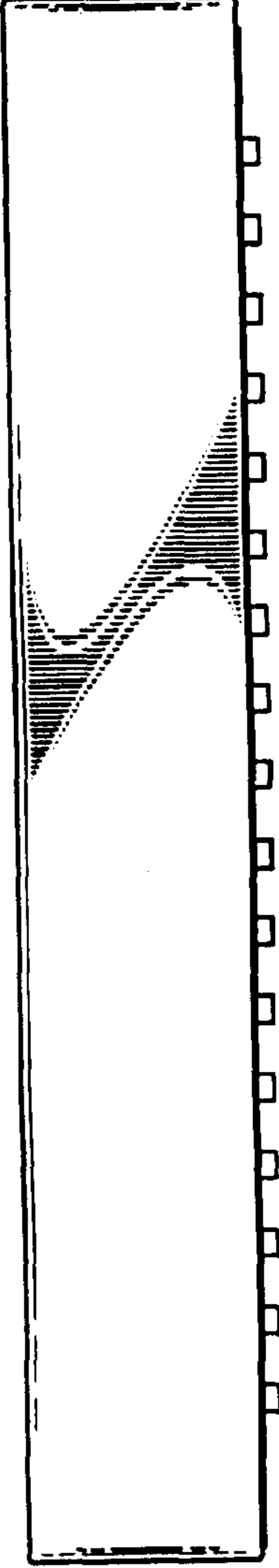
*Fig. 2*



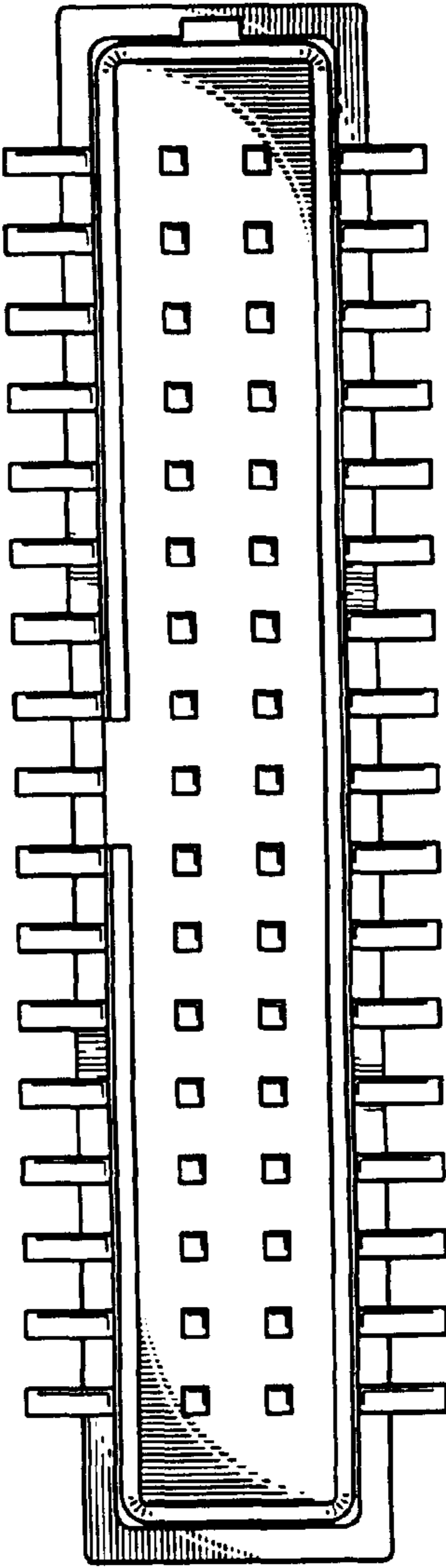
*Fig. 3*



*Fig. 4*



*Fig. 5*



*Fig. 6*