



US00D516517S

(12) **United States Design Patent**  
**Shimizu et al.**

(10) **Patent No.:** **US D516,517 S**  
(45) **Date of Patent:** **\*\* Mar. 7, 2006**

(54) **HOUSING FOR ELECTRICAL CONNECTOR**

(75) **Inventors:** **Kazuomi Shimizu, Aichi (JP); Akihiko Onchi, Aichi (JP); Daisuke Miyachi, Aichi (JP)**

(73) **Assignee:** **J.S.T. Mfg. Co., Ltd., Osaka (JP)**

(\*\*) **Term:** **14 Years**

(21) **Appl. No.:** **29/213,870**

(22) **Filed:** **Sep. 24, 2004**

(30) **Foreign Application Priority Data**

Mar. 26, 2004 (JP) ..... 2004-009141

(51) **LOC (8) Cl. .... 13-03**

(52) **U.S. Cl. .... D13/147**

(58) **Field of Classification Search** ..... D13/146-147,  
D13/199; 439/62, 260, 325, 329, 395, 422,  
439/492, 495, 499, 607

See application file for complete search history.

(56) **References Cited**

**U.S. PATENT DOCUMENTS**

D454,114 S \* 3/2002 Hayashi et al. .... D13/147  
D455,717 S \* 4/2002 Hayashi et al. .... D13/147  
D456,780 S \* 5/2002 Igarashi ..... D13/147  
D470,110 S \* 2/2003 Yamane ..... D13/147  
D481,998 S \* 11/2003 Saito et al. .... D13/147  
D482,327 S \* 11/2003 Saito et al. .... D13/147  
D497,343 S \* 10/2004 Busse et al. .... D13/147  
D497,344 S \* 10/2004 Huang ..... D13/147  
D500,985 S \* 1/2005 Yamane et al. .... D13/147  
2005/0020125 A1 \* 1/2005 Huang ..... 439/495

**FOREIGN PATENT DOCUMENTS**

JP D1077207 S 7/2000

JP D1043385-1 S 7/2000  
JP D1077207-1 S 8/2000  
JP D1109454 S 5/2001  
JP D1109456 S 5/2001  
JP D1109457 S 5/2001  
JP D1109458 S 5/2001  
JP D1109575 S 5/2001  
JP D1147333 S 7/2003  
JP D1156757 S 10/2003  
JP D1187555 S 10/2003  
JP D1187647 S 10/2003

**OTHER PUBLICATIONS**

Catalog, "Connectors Catalog/ SHL Connector," vol. 111, pp. 10-11, JST Mfg. Co., Ltd. (Nov. 2002).

\* cited by examiner

*Primary Examiner*—Prabhakar Deshmukh

*Assistant Examiner*—Daniel Bui

(74) *Attorney, Agent, or Firm*—Rader, Fishman & Grauer PLLC

(57) **CLAIM**

The ornamental design for a housing for electrical connector, as shown.

**DESCRIPTION**

FIG. 1 is a perspective view of a housing for electrical connector showing our new design;  
FIG. 2 is a front elevational view thereof;  
FIG. 3 is a rear elevational view thereof;  
FIG. 4 is a top plan view thereof;  
FIG. 5 is a bottom plan view thereof;  
FIG. 6 is a right side elevational view thereof; and,  
FIG. 7 is a left side elevational view thereof.

**1 Claim, 4 Drawing Sheets**

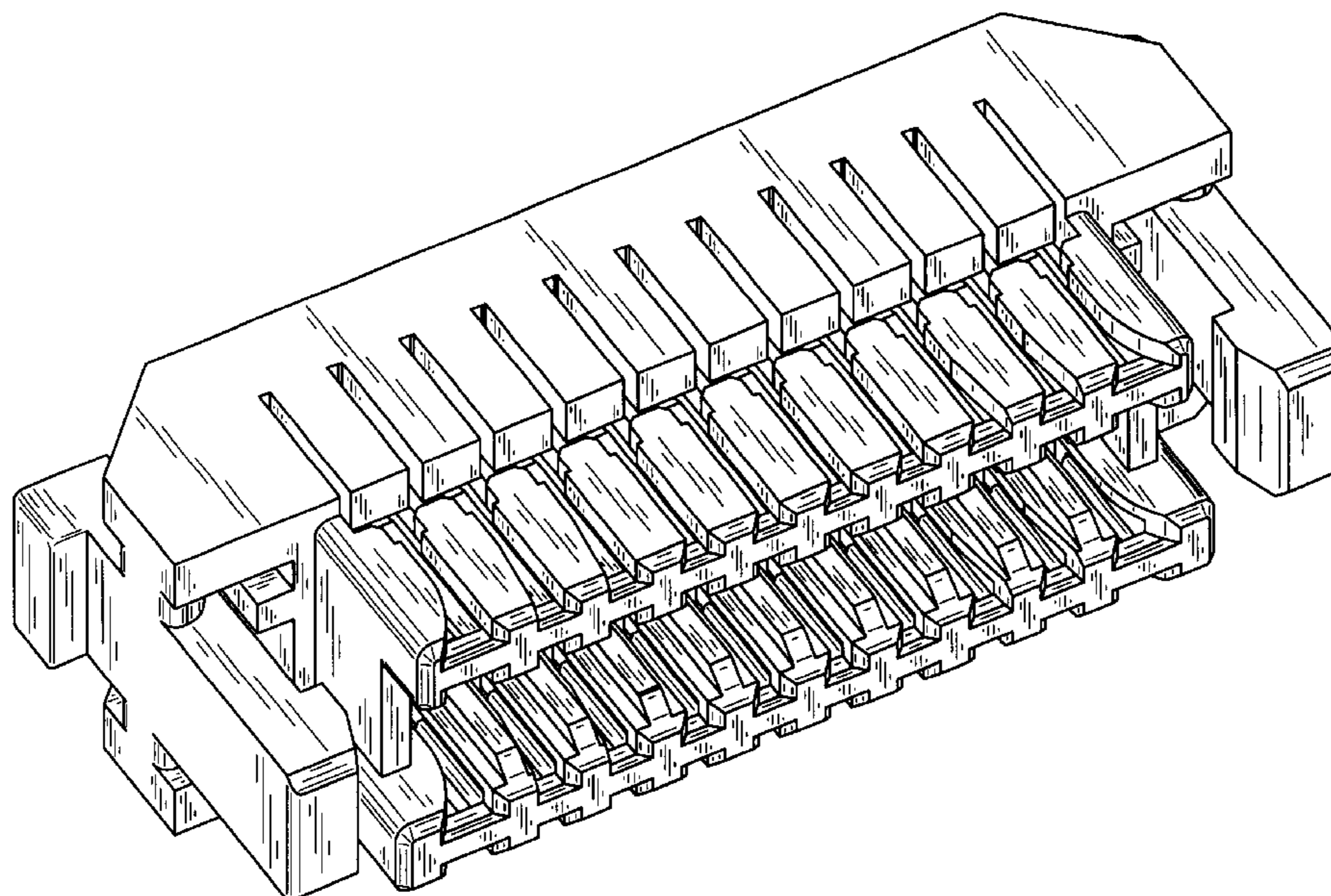


Fig.1

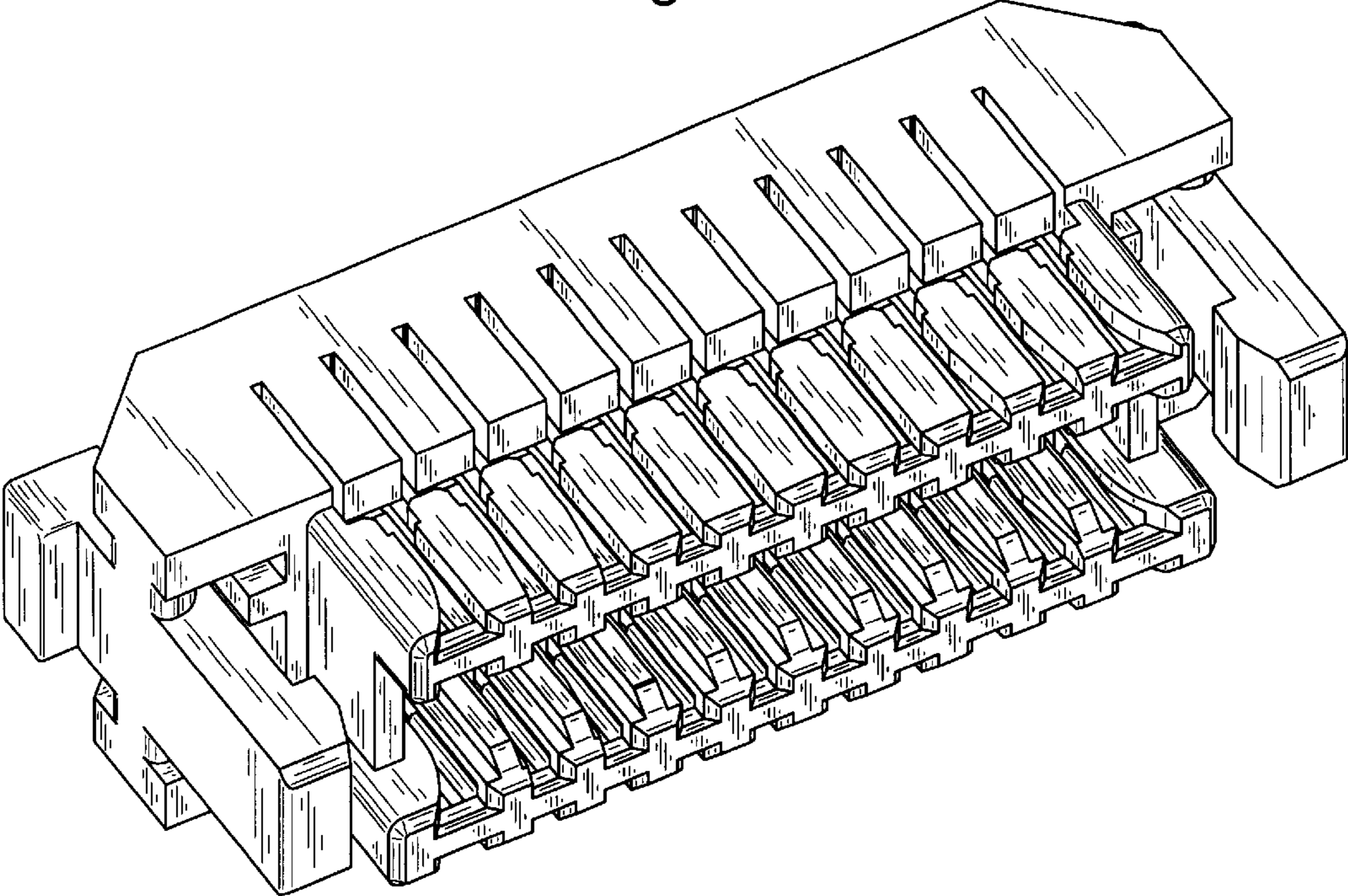


Fig.2

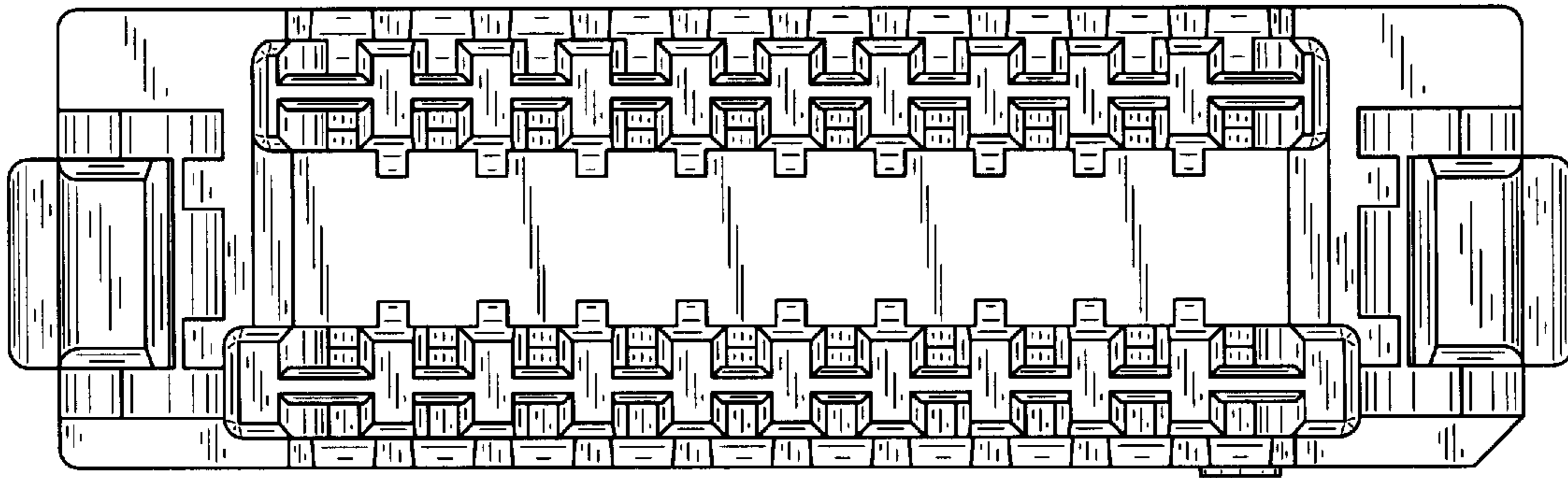


Fig.3

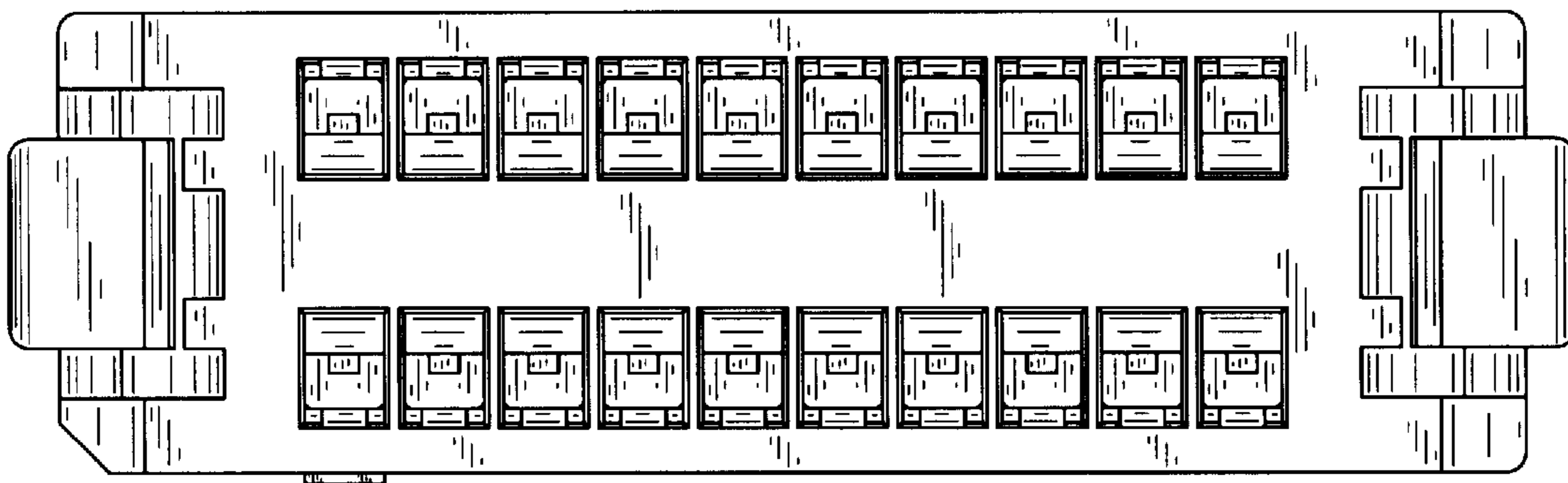




Fig.4

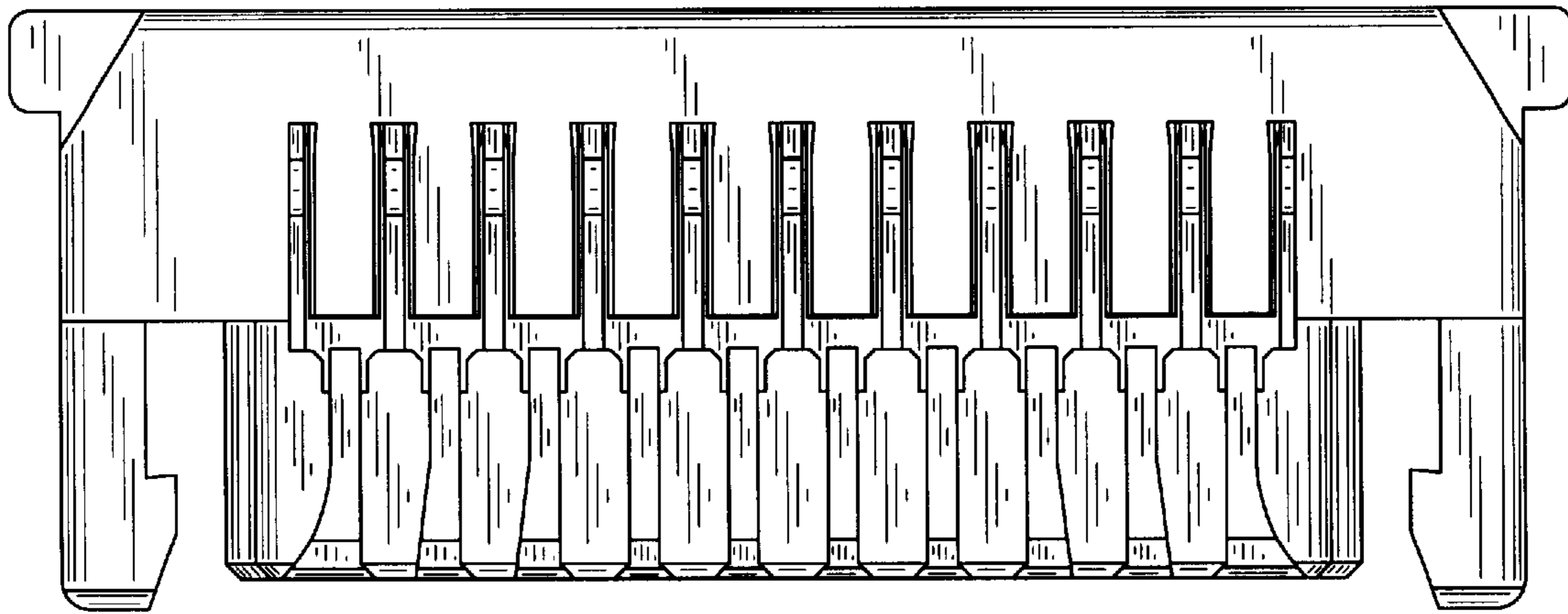


Fig.5

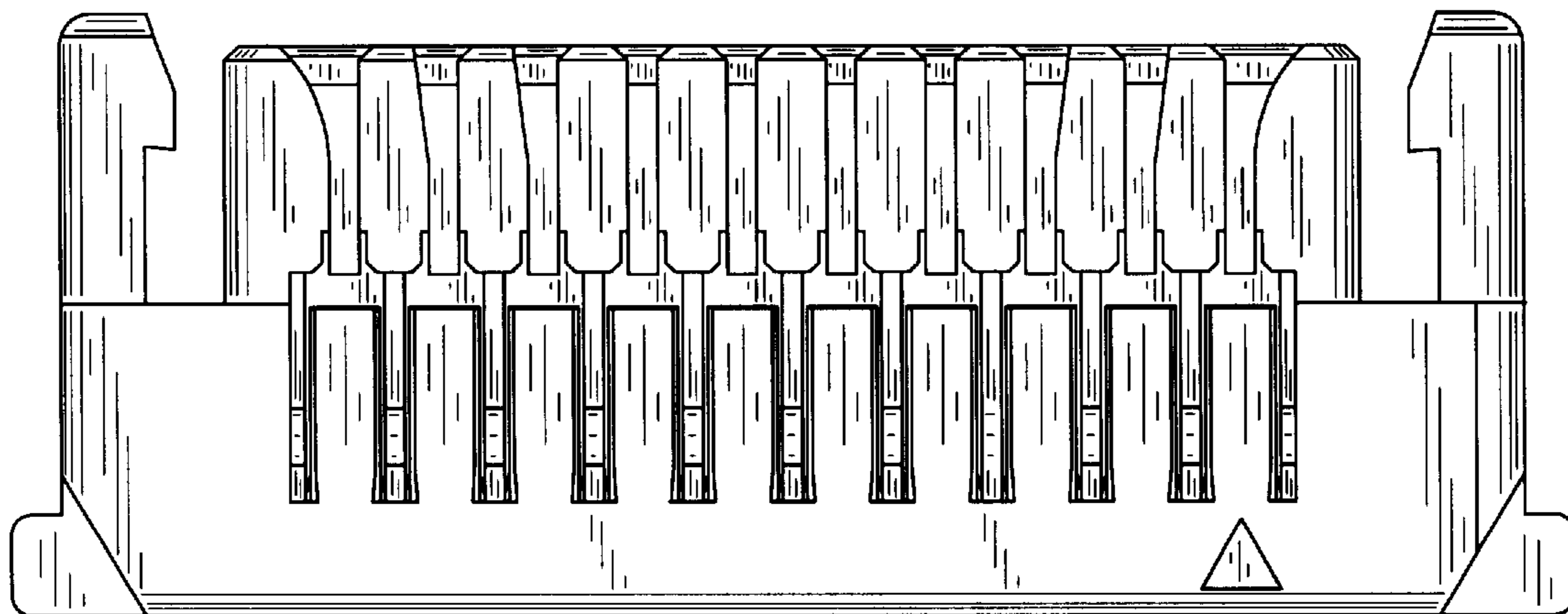


Fig.6

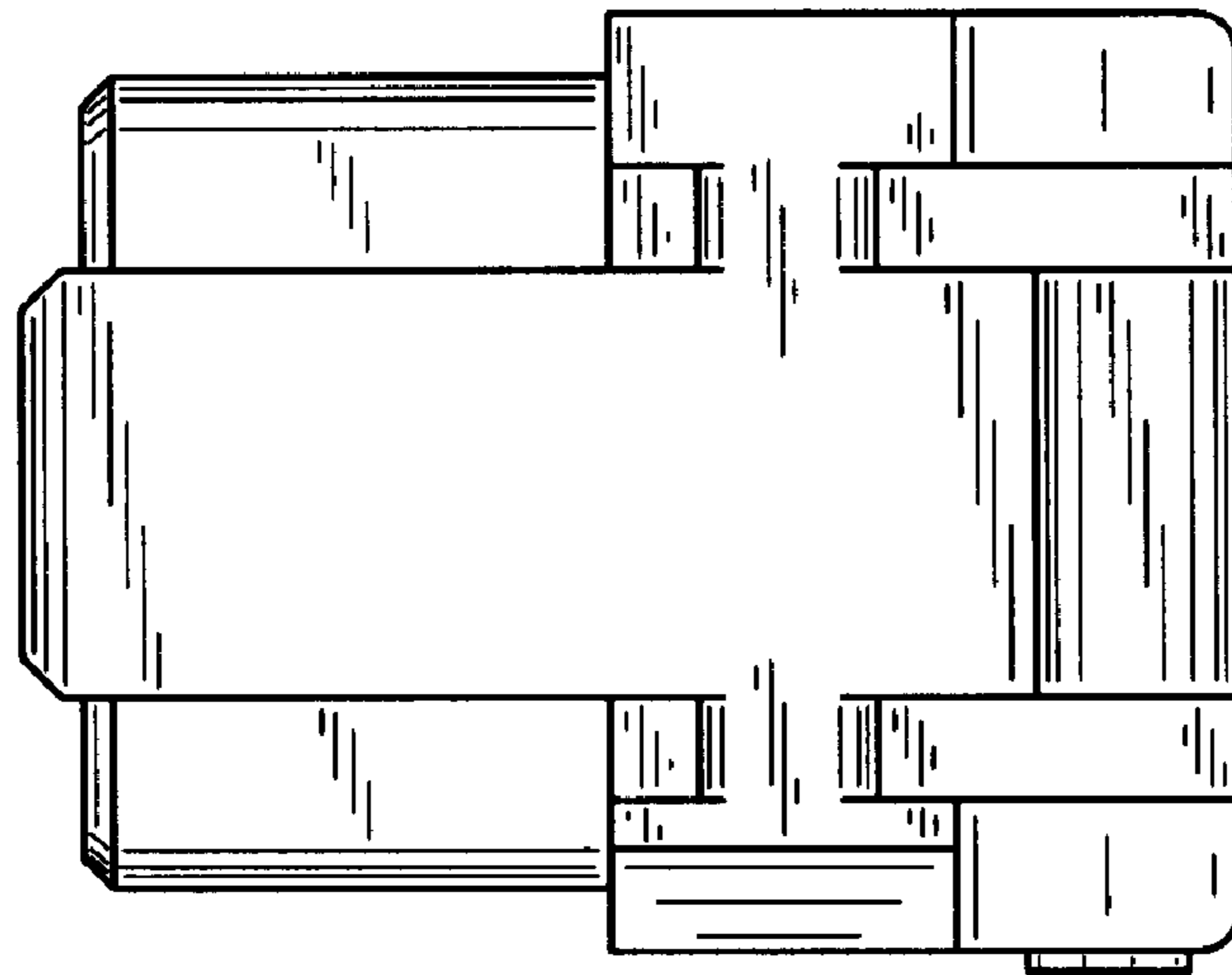


Fig.7

