

US00D516514S

(12) **United States Design Patent**
Chau et al.

(10) **Patent No.: US D516,514 S**
(45) **Date of Patent: ** Mar. 7, 2006**

(54) **HIGH CURRENT POWER CONNECTOR**

(75) Inventors: **Danny K. Chau**, Fremont, CA (US);
Robert H. Thein, Fremont, CA (US)

(73) Assignee: **Tyco Electronics Corporation**,
Middletown, PA (US)

(**) Term: **14 Years**

(21) Appl. No.: **29/200,105**

(22) Filed: **Feb. 24, 2004**

(51) **LOC (8) Cl.** **13-03**

(52) **U.S. Cl.** **D13/146**

(58) **Field of Classification Search** D13/123,
D13/133, 146-147, 154, 184, 199; 439/79,
439/62, 210-211, 216, 225, 252, 378-381,
439/891, 894, 476.1

See application file for complete search history.

(56) **References Cited**

U.S. PATENT DOCUMENTS

- D457,860 S * 5/2002 Larsen et al. D13/147
- D459,700 S * 7/2002 Larsen D13/147
- D460,045 S * 7/2002 Larsen D13/147

- D460,046 S * 7/2002 Wood D13/147
- D460,047 S * 7/2002 Ching D13/147
- D460,417 S * 7/2002 Wood D13/147
- D460,418 S * 7/2002 Han D13/147
- D460,737 S * 7/2002 Ching D13/147

* cited by examiner

Primary Examiner—Stella Reid

Assistant Examiner—Daniel Bui

(57) **CLAIM**

The ornamental design for a high current power connector, as shown and described.

DESCRIPTION

FIG. 1 is a top, front and left perspective view of a high current power connector, showing our new design; FIG. 2 is a bottom, rear and right perspective view thereof; FIG. 3 is a top plan view thereof; FIG. 4 is a bottom plan view thereof; FIG. 5 is a front elevation view thereof; FIG. 6 is a rear elevation view thereof; FIG. 7 is left side elevation view thereof; and, FIG. 8 is right side elevation view thereof.

1 Claim, 4 Drawing Sheets

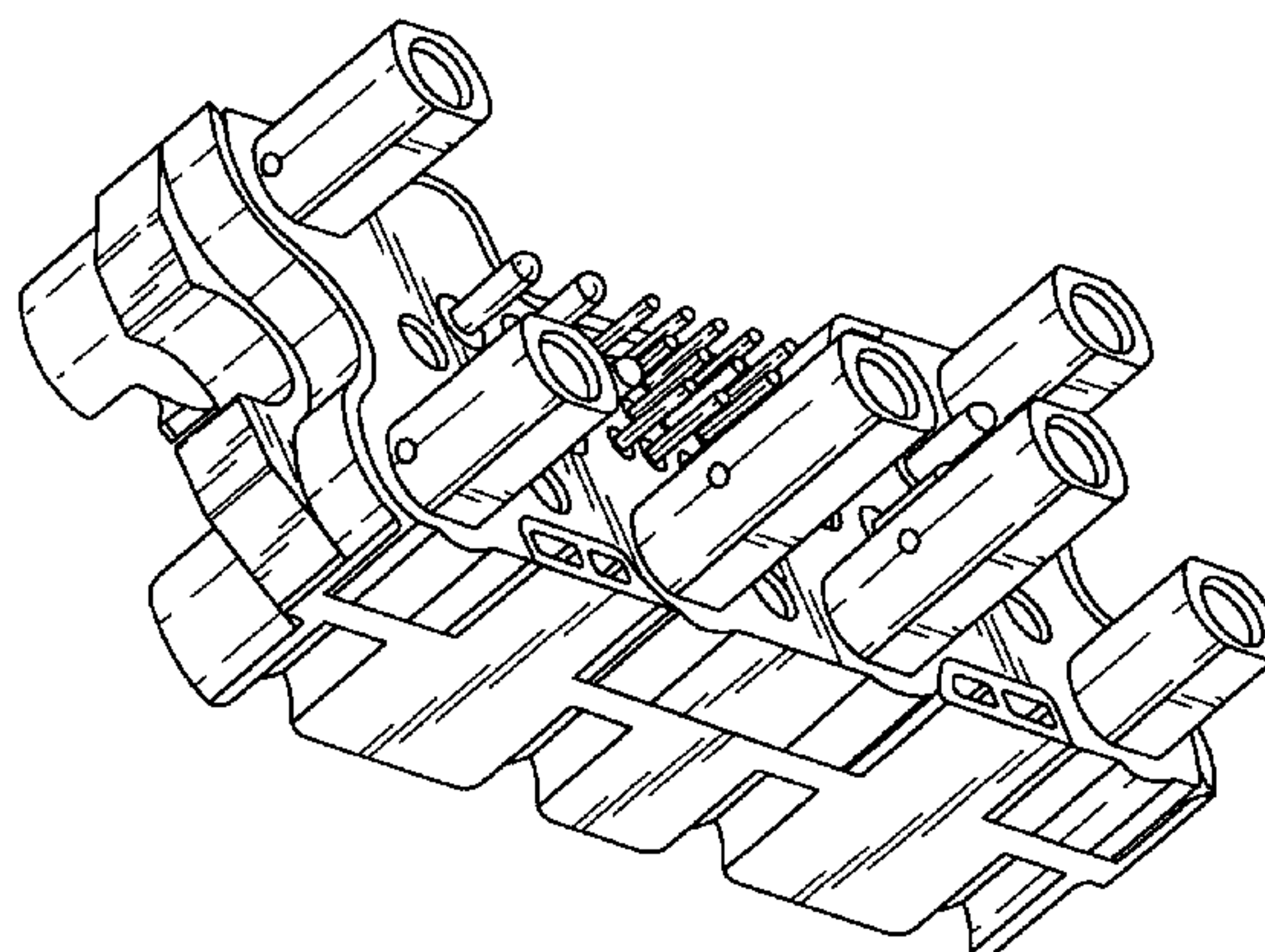
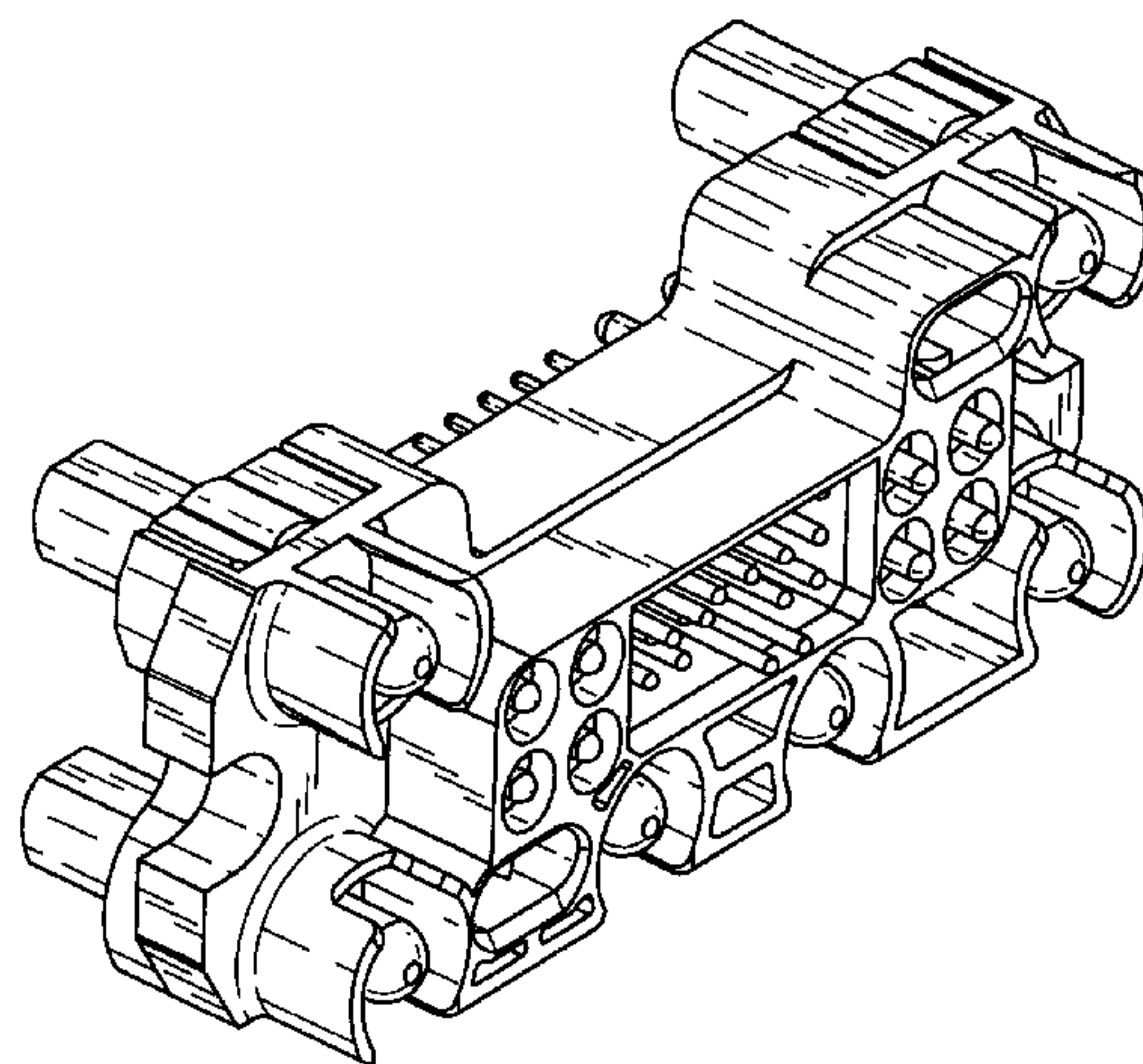


FIG. 1

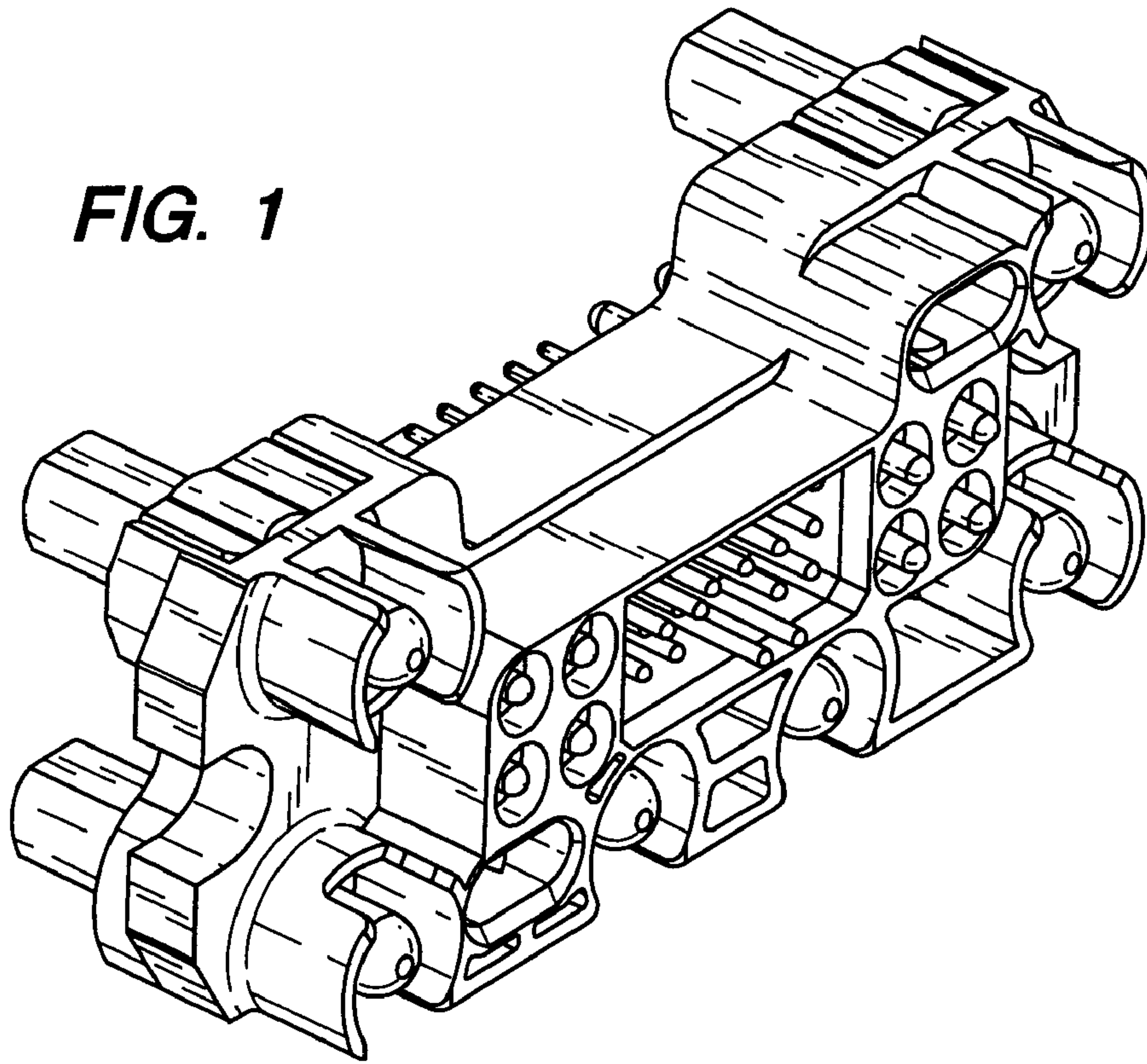


FIG. 2

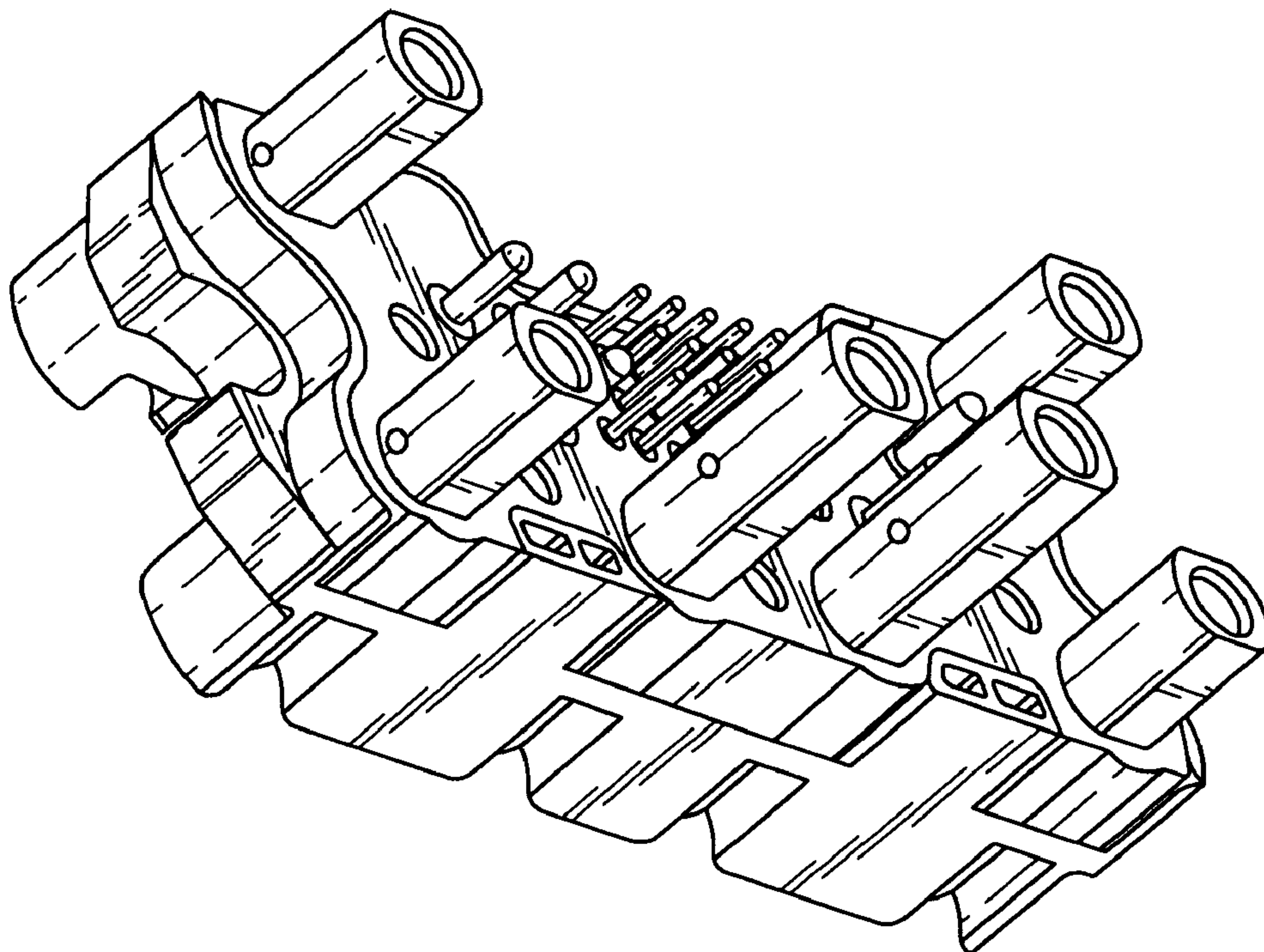


FIG. 3

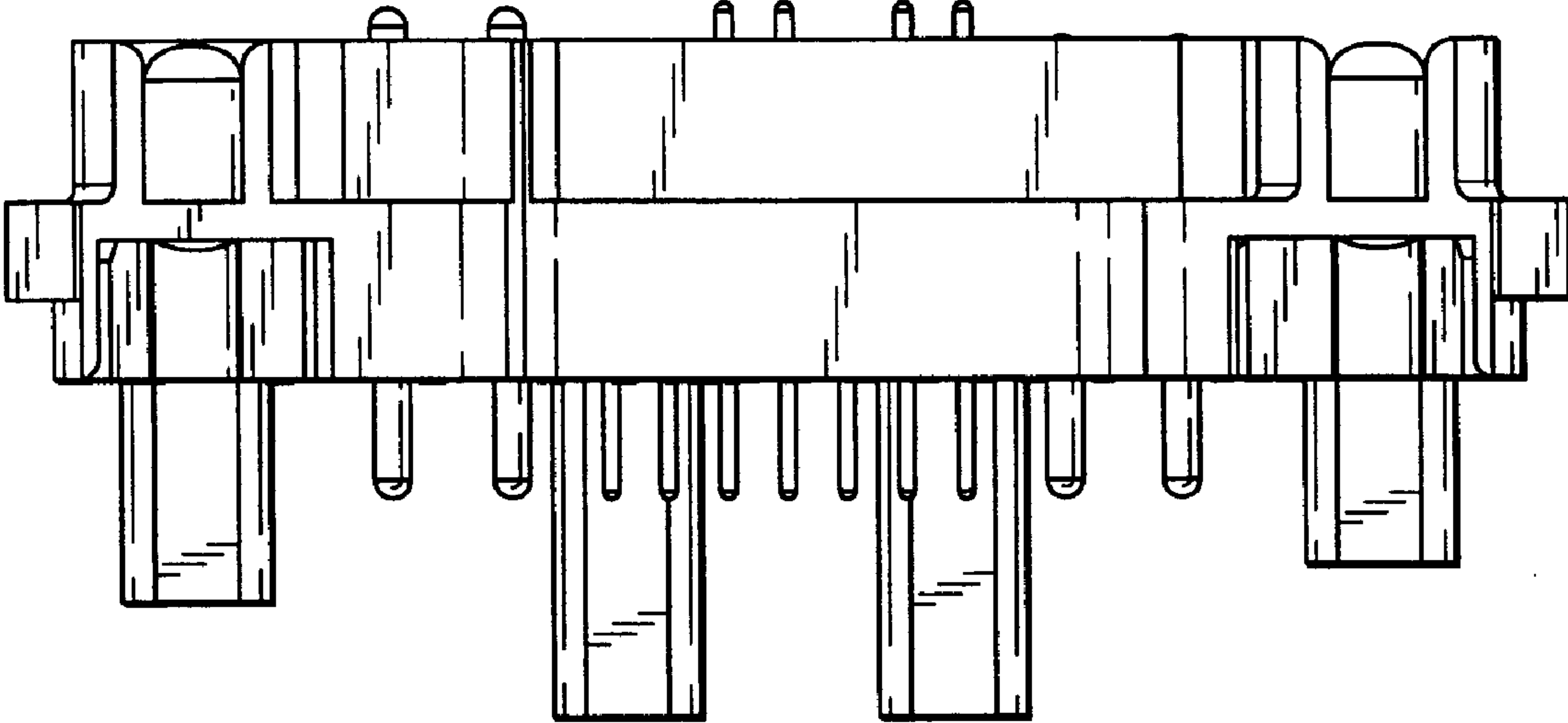


FIG. 4

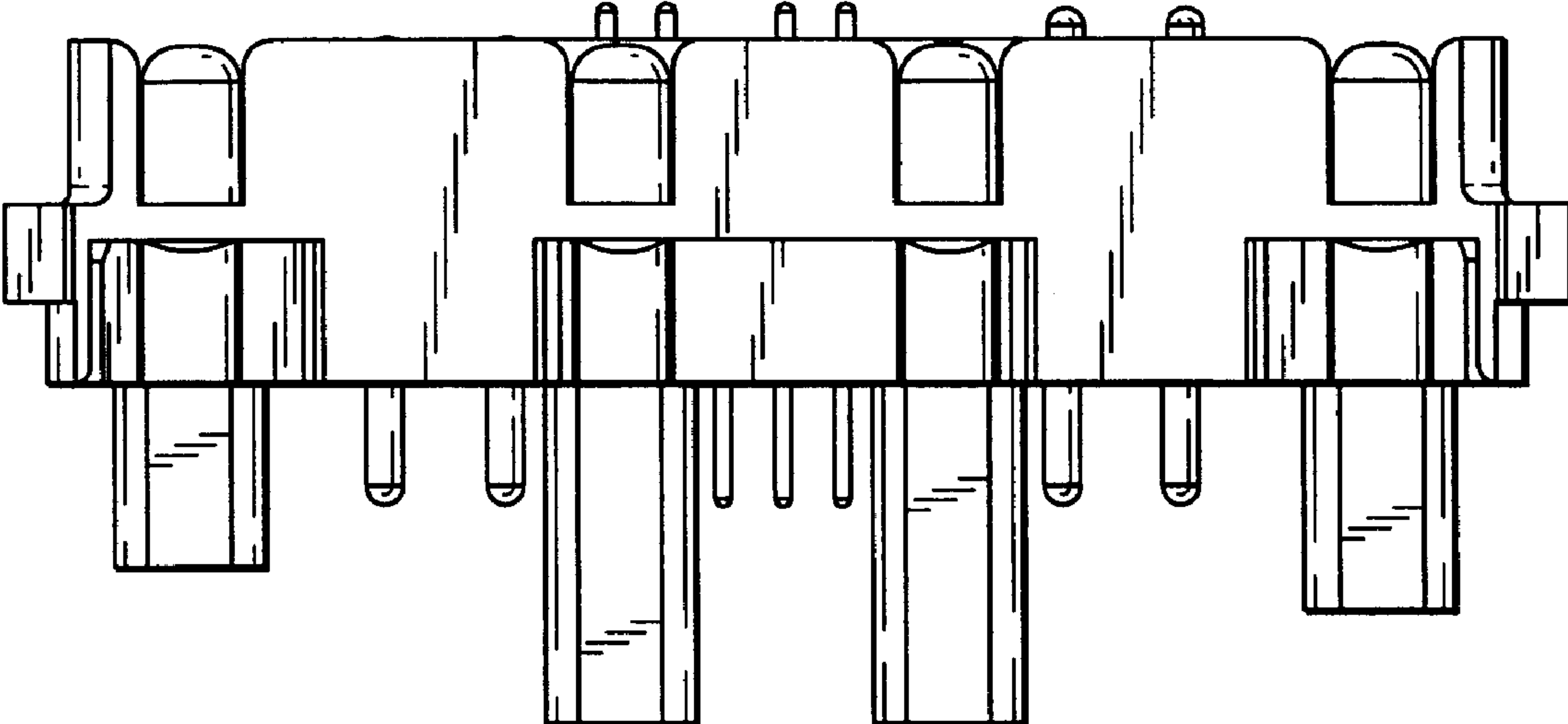


FIG. 5

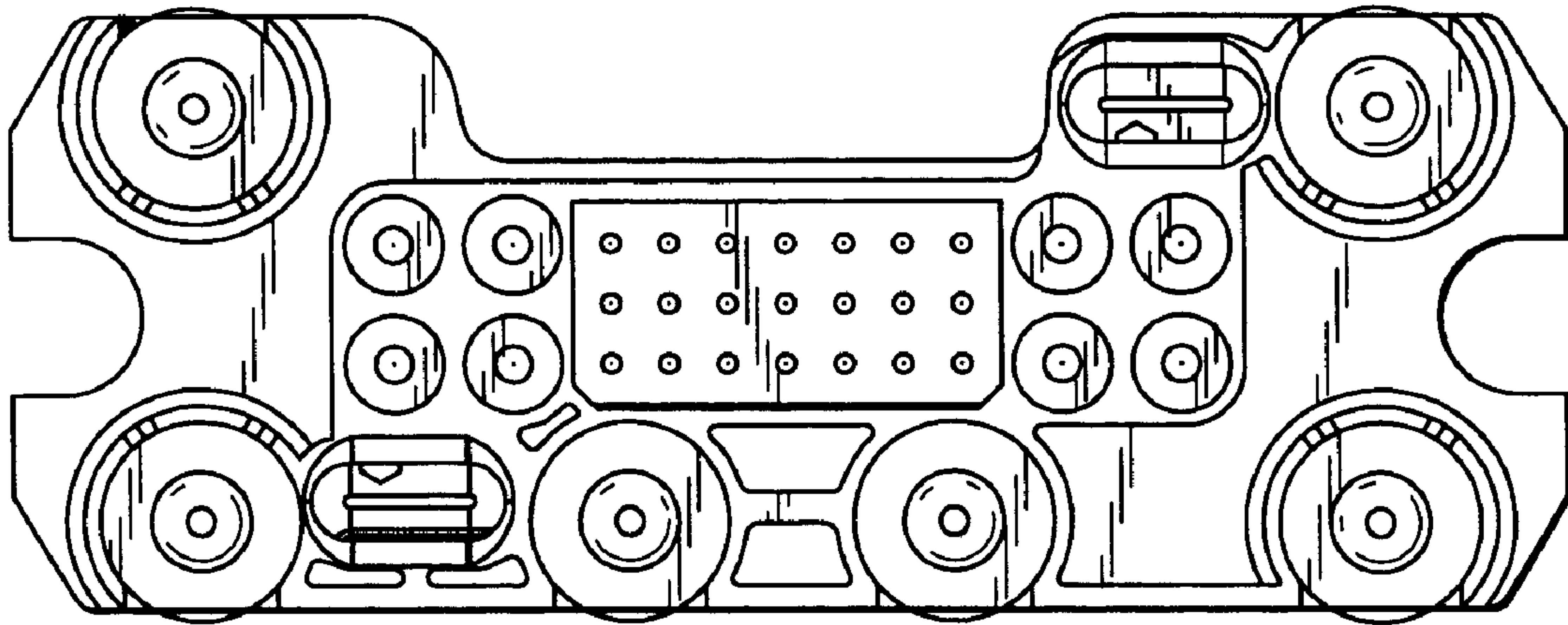


FIG. 6

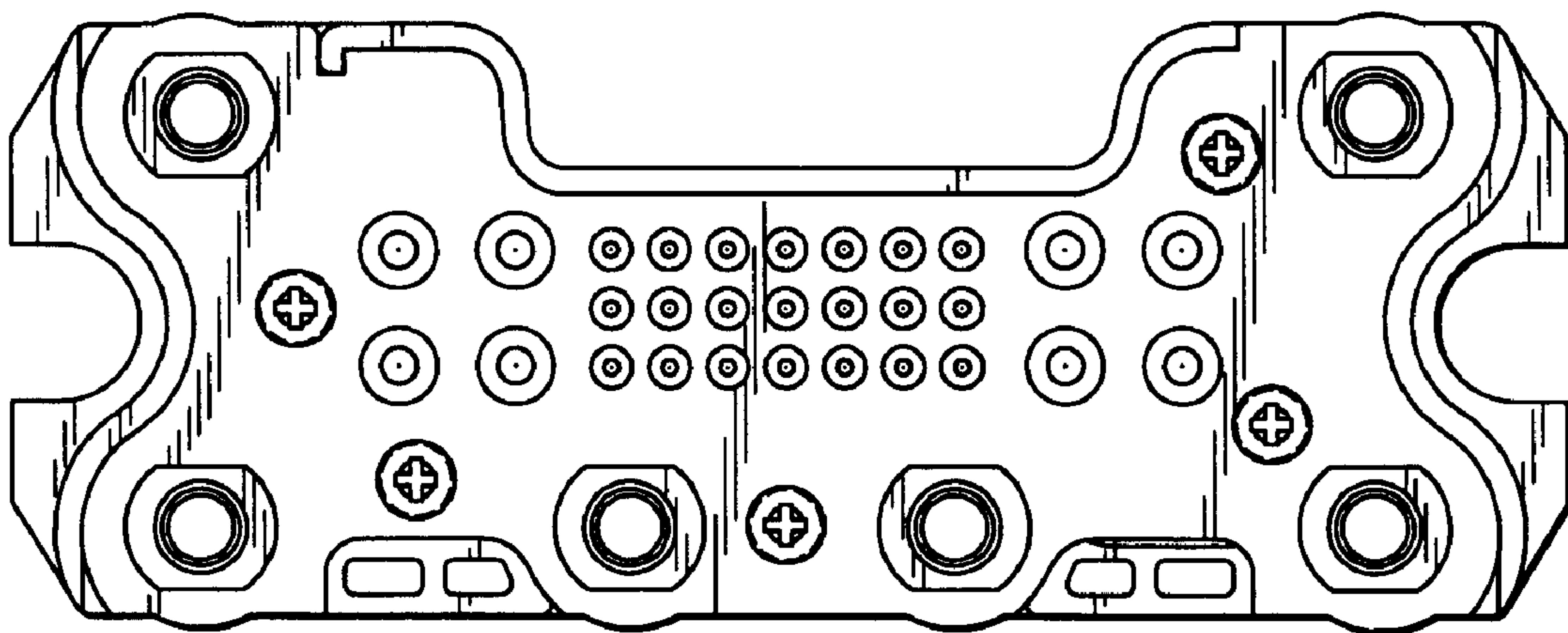


FIG. 7

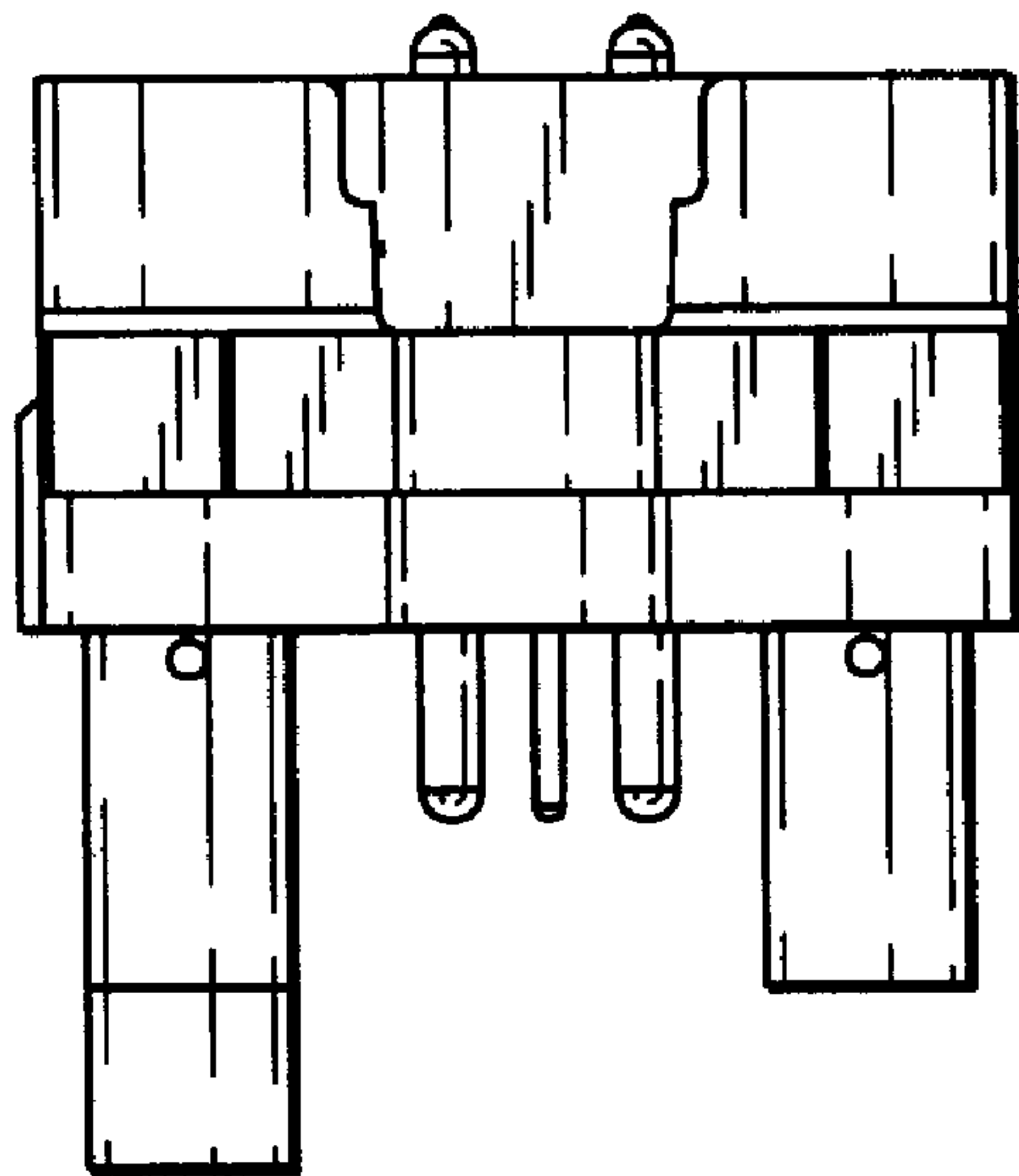


FIG. 8

