



US00D516513S

(12) **United States Design Patent**
Kissinger et al.

(10) **Patent No.: US D516,513 S**
(45) **Date of Patent: ** Mar. 7, 2006**

(54) **RETRACTABLE AND INTERCHANGEABLE CONTROL PANEL FOR ELECTRONIC OR LIKE DEVICES**

D455,123 S * 4/2002 Gershfeld D13/139.4

(Continued)

(75) Inventors: **John Kissinger**, Placentia, CA (US);
David Pincek, Huntington Beach, CA (US)

(73) Assignee: **RGB Systems, Inc.**, Anaheim, CA (US)

(**) Term: **14 Years**

(21) Appl. No.: **29/180,093**

(22) Filed: **Apr. 18, 2003**

(51) **LOC (8) Cl. 13-03**

(52) **U.S. Cl. D13/139.4**

(58) **Field of Classification Search** D13/162,
D13/164, 139.4, 139.6; D14/217, 218; 361/627,
361/628, 631, 643, 644, 673; 439/131, 135,
439/142

See application file for complete search history.

(56) **References Cited**

U.S. PATENT DOCUMENTS

D182,010 S	1/1958	Wells et al.	
D187,221 S	2/1960	Laub et al.	
D198,531 S	6/1964	Beville	
D205,590 S	8/1966	Balmer	
D224,214 S	7/1972	Wormser	
D280,893 S	10/1985	Ueda	
D295,255 S	4/1988	Mauch	
D306,428 S	3/1990	Barth et al.	
5,122,069 A *	6/1992	Brownlie et al.	439/131
D340,660 S	10/1993	Russell	
D363,741 S	10/1995	Leff et al.	
5,980,279 A *	11/1999	Muller	439/142
D437,827 S	2/2001	Gershfeld	
D442,143 S	5/2001	Gershfeld	
D446,188 S *	8/2001	Gershfeld	D13/139.4
D448,756 S	10/2001	Lewellen	
D449,819 S *	10/2001	Gershfeld	D13/139.4
D454,541 S *	3/2002	Gershfeld	D13/139.4

OTHER PUBLICATIONS

Product Catalog, Electri-Cable Assemblies, Inc., 2000.
T3U Table Box, FSR Metal Products Group, 2001.
Product Catalog, Spider Manufacturing, Inc., Apr. 1998.
Catalog No. 19, Doug Mockett & Company, Inc., 2000.

Primary Examiner—Alan P. Douglas
Assistant Examiner—Rosemary Tarca

(74) *Attorney, Agent, or Firm*—The Hecker Law Group, PLC

(57) **CLAIM**

The ornamental design for a retractable and interchangeable control panel for electronic or like devices, as shown and described.

DESCRIPTION

FIG. 1 is a perspective view of a retractable and interchangeable control panel for electronic or like devices in an open position.

FIG. 2 is a top elevational view thereof of the retractable and interchangeable control panel for electronic or like devices in an open position.

FIG. 3 is a front elevational view thereof of the retractable and interchangeable control panel for electronic or like devices in an open position.

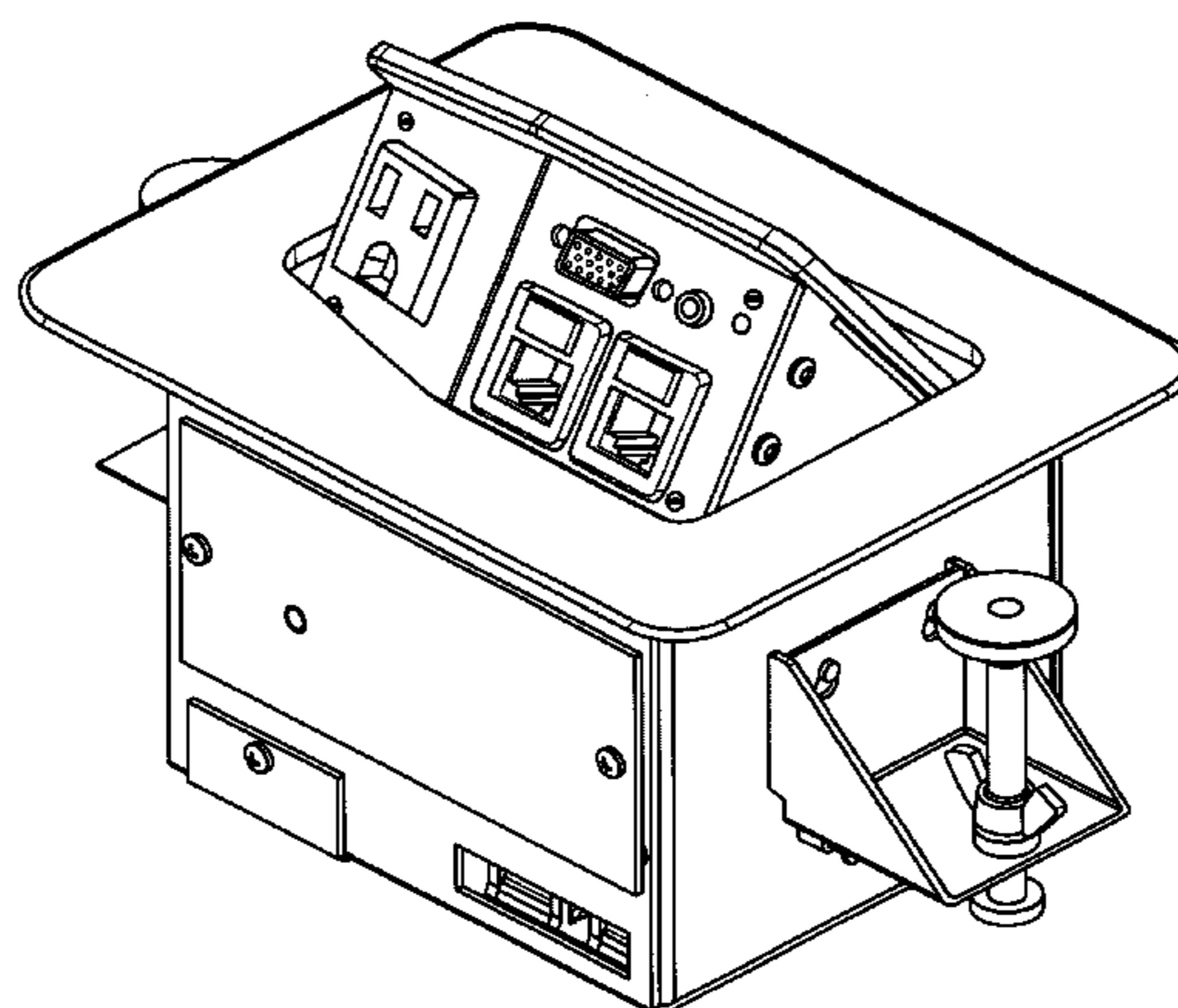
FIG. 4 is a right side elevational view thereof of the retractable and interchangeable control panel for electronic or like devices in an open position.

FIG. 5 is a left side elevational view thereof of the retractable and interchangeable control panel for electronic or like devices in an open position.

FIG. 6 is a back elevational view thereof of the retractable and interchangeable control panel for electronic or like devices in a closed position; and,

FIG. 7 is a bottom elevational view thereof of the retractable and interchangeable control panel for electronic or like devices in a closed position.

1 Claim, 4 Drawing Sheets



US D516,513 S

Page 2

U.S. PATENT DOCUMENTS

D455,716 S	*	4/2002	Gershfeld	D13/139.4	D466,868 S	*	12/2002	Gershfeld	D13/139.4
D457,137 S	*	5/2002	Gershfeld	D13/139.4	D472,213 S	*	3/2003	Byrne	D13/139.4
D460,736 S	*	7/2002	Pincek et al.	D13/139.4	D473,525 S	*	4/2003	Pincek et al.	D13/162

* cited by examiner

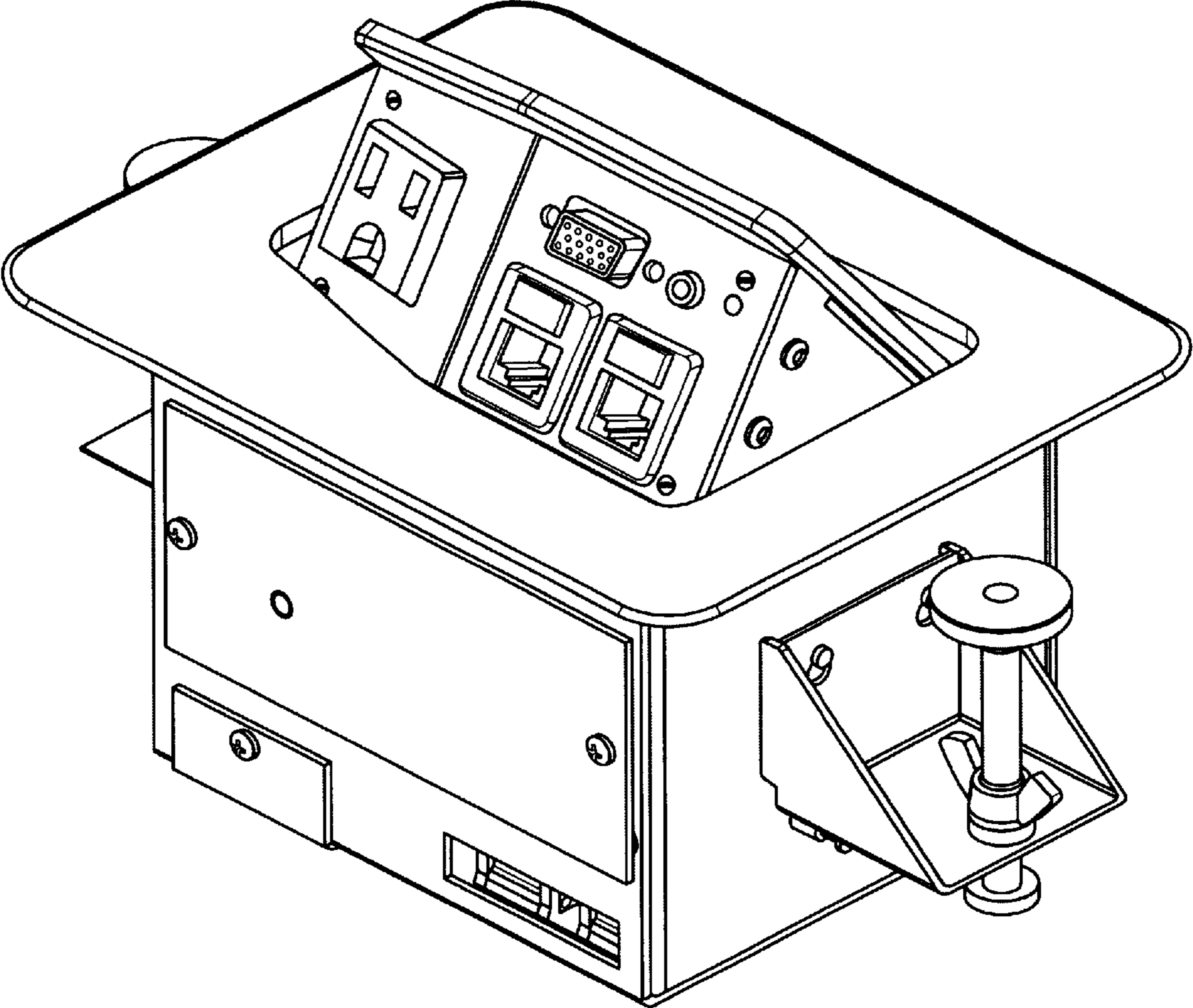


FIG. 1

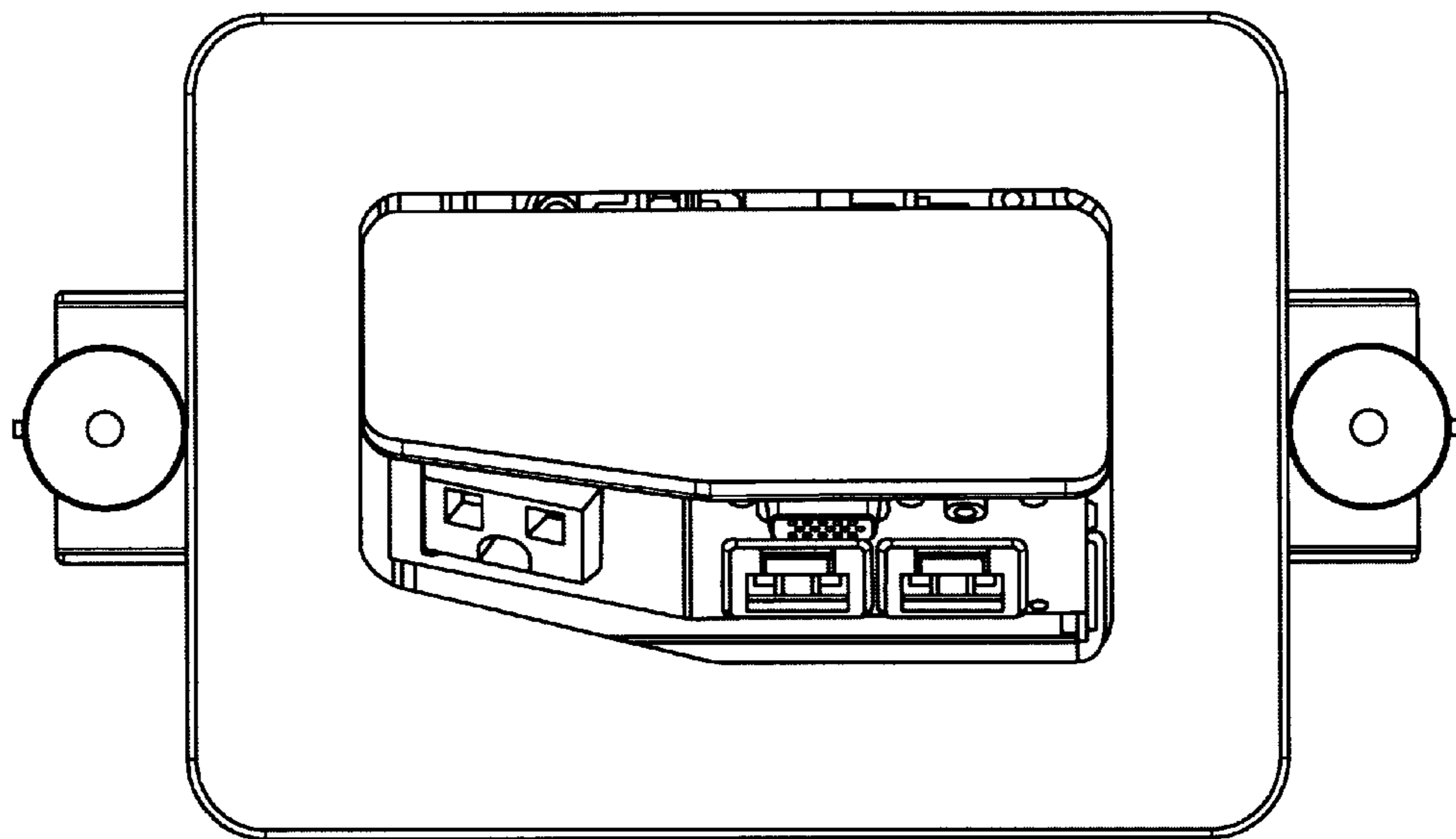


FIG. 2

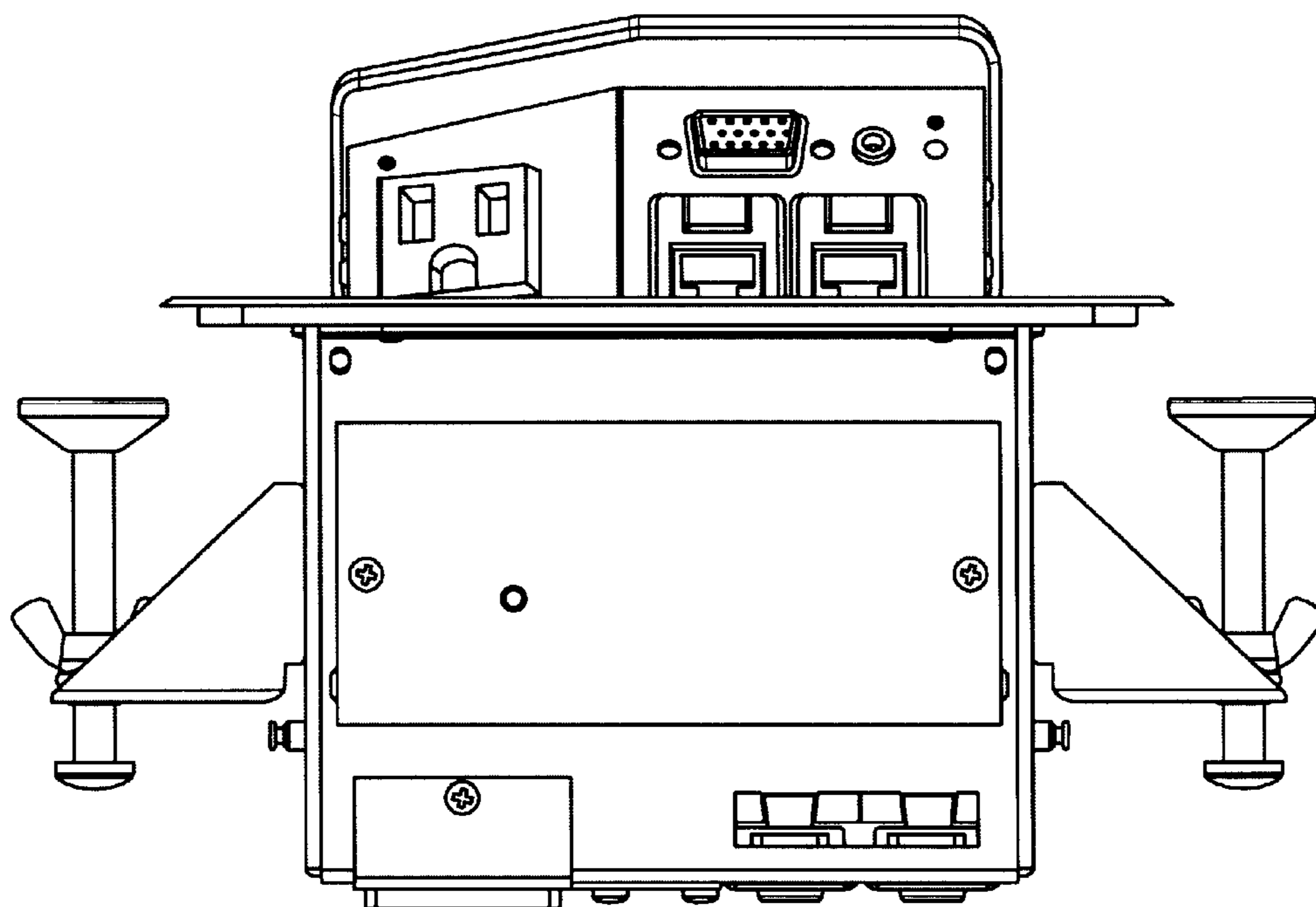


FIG. 3

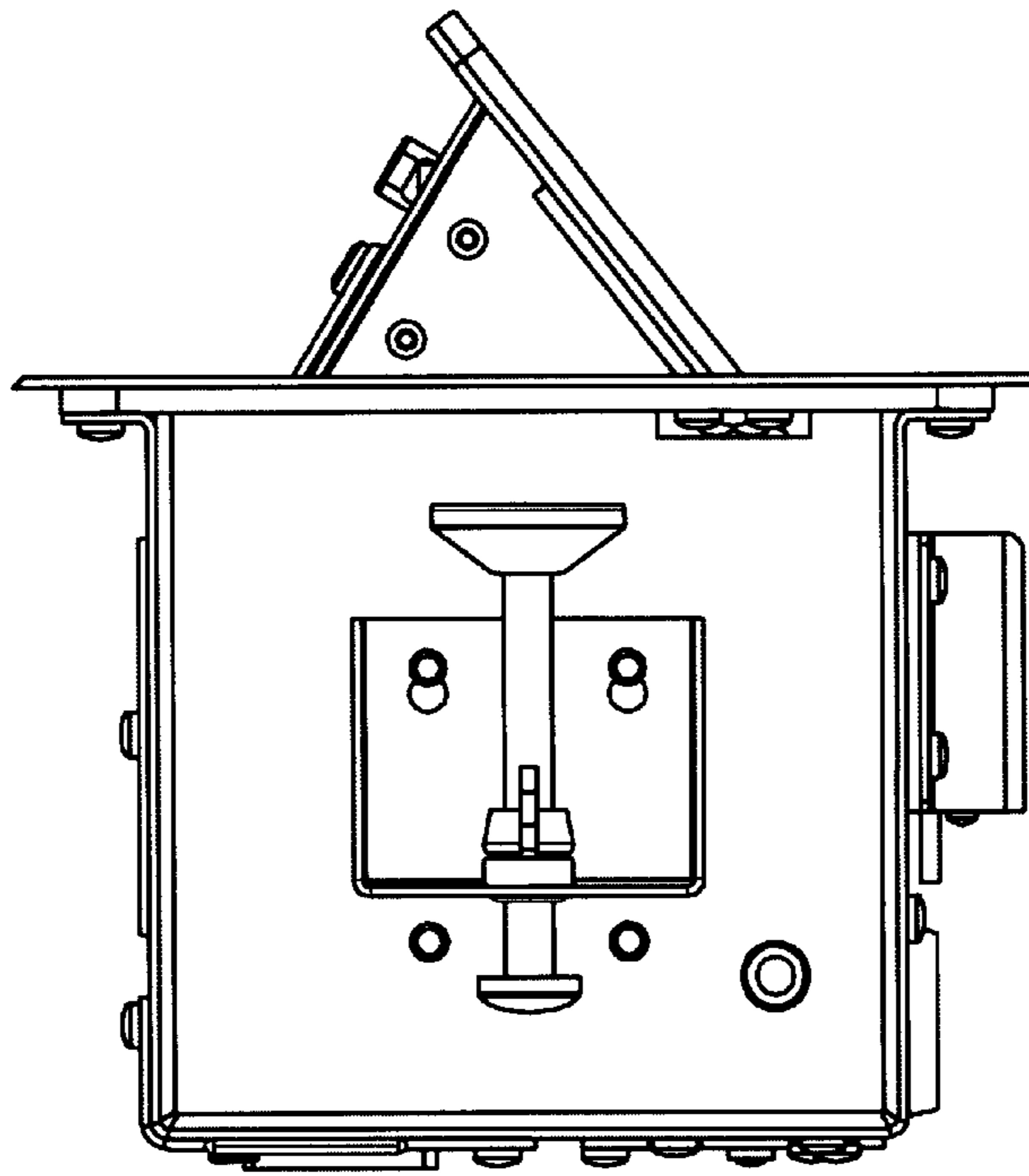


FIG. 4

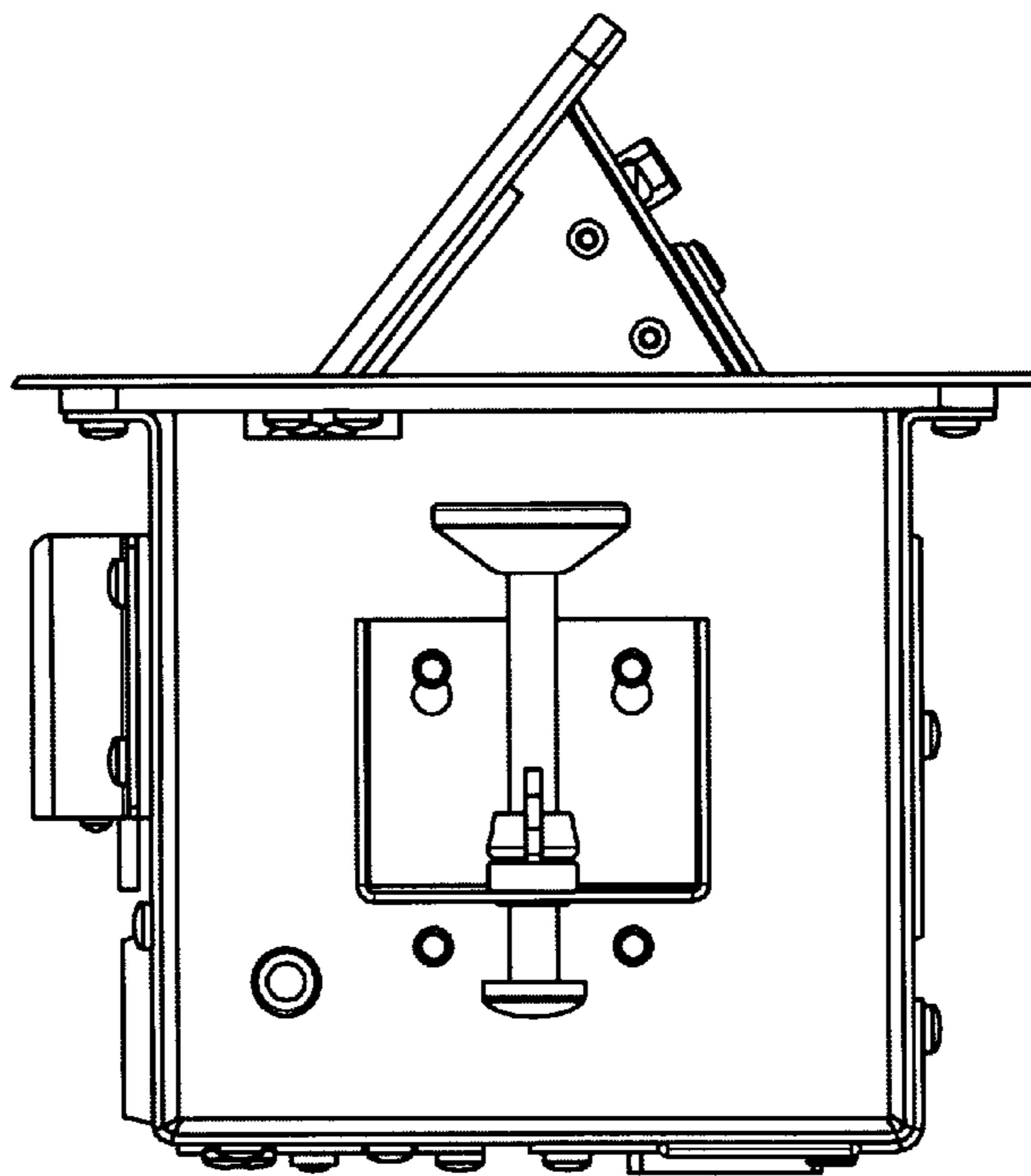


FIG. 5

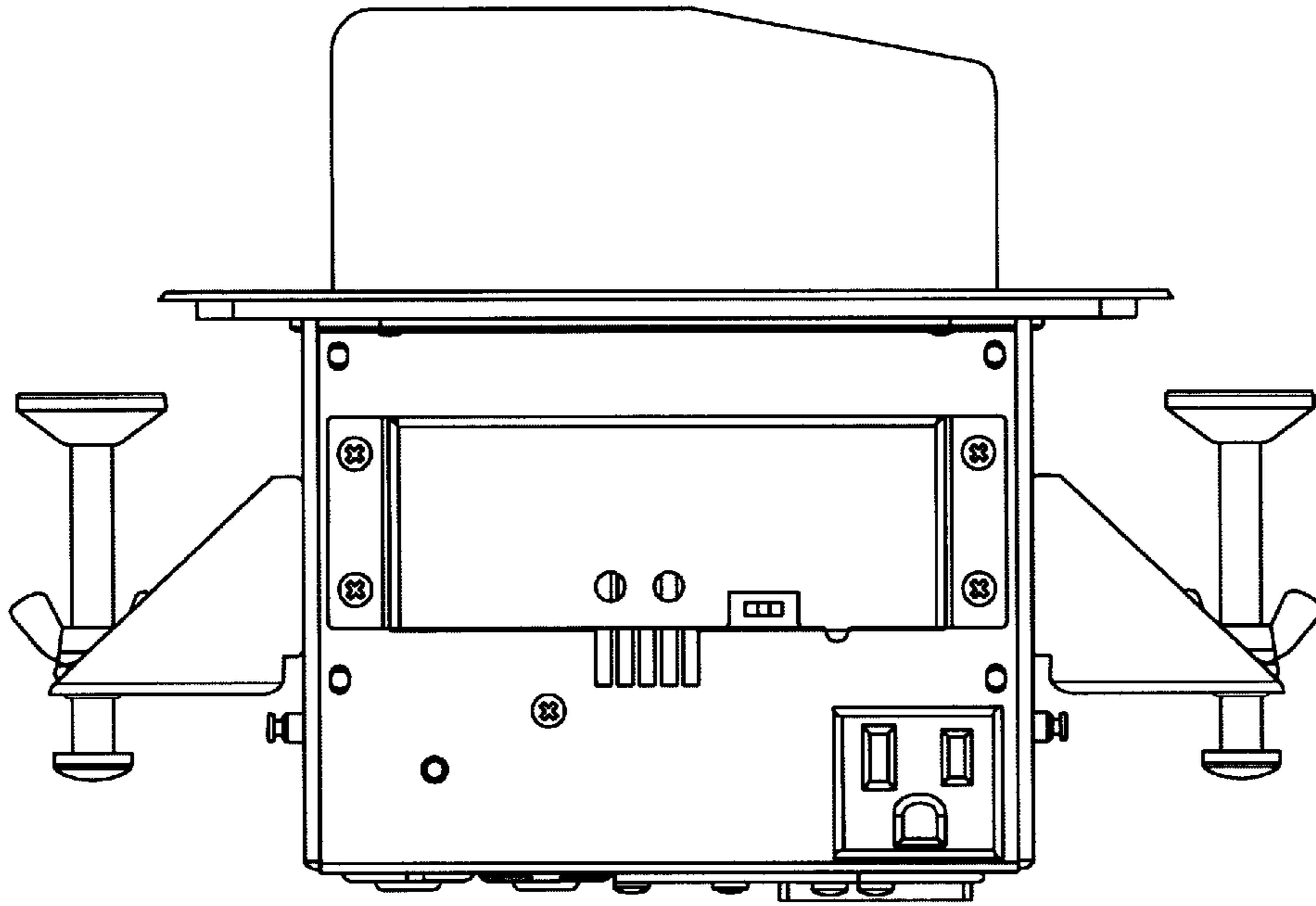


FIG. 6

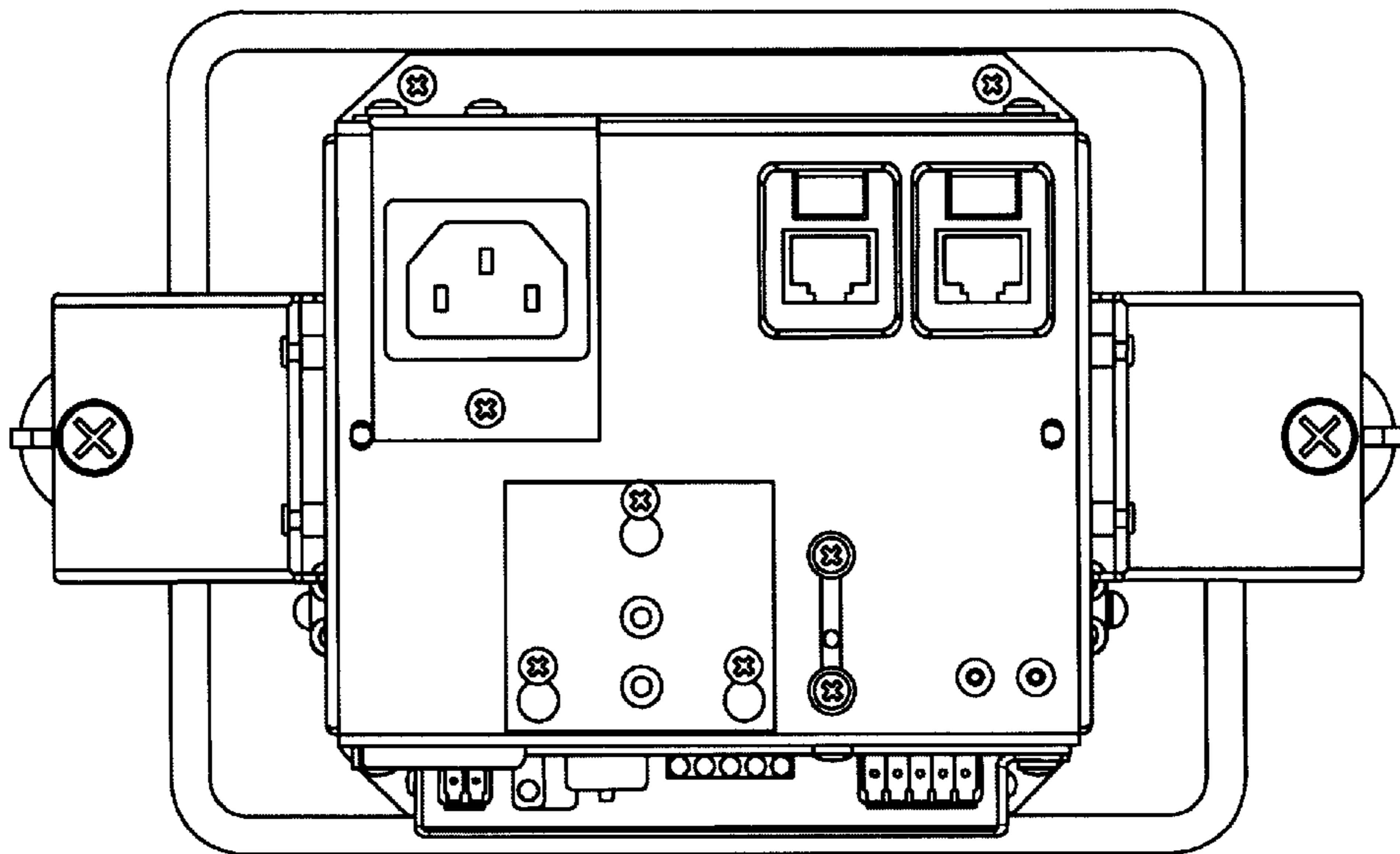


FIG. 7