

US00D516508S

(12) **United States Design Patent**  
**Johnson**

(10) **Patent No.: US D516,508 S**

(45) **Date of Patent: \*\* Mar. 7, 2006**

(54) **GENERATOR**

6,525,430 B1 \* 2/2003 Asai et al. .... 290/1 A  
D489,327 S \* 5/2004 Imai ..... D13/116  
D494,929 S \* 8/2004 Imai ..... D13/116

(75) Inventor: **Andrew J. Johnson**, Kearney, NE (US)

\* cited by examiner

(73) Assignee: **Powermate Corporation**, Aurora, IL (US)

*Primary Examiner*—Prabhakar Deshmukh

*Assistant Examiner*—Daniel Bui

(\*\*) Term: **14 Years**

(74) *Attorney, Agent, or Firm*—Leydig, Voit & Mayer, Ltd.

(21) Appl. No.: **29/210,236**

(57) **CLAIM**

(22) Filed: **Jul. 28, 2004**

The ornamental design for a generator, as shown and described.

(51) **LOC (8) Cl. .... 13-01**

(52) **U.S. Cl. .... D13/116**

(58) **Field of Classification Search** ..... D13/110–118,  
D13/184, 199; 123/2–3; 307/64, 150; 322/100,  
322/DIG. 2

See application file for complete search history.

**DESCRIPTION**

(56) **References Cited**

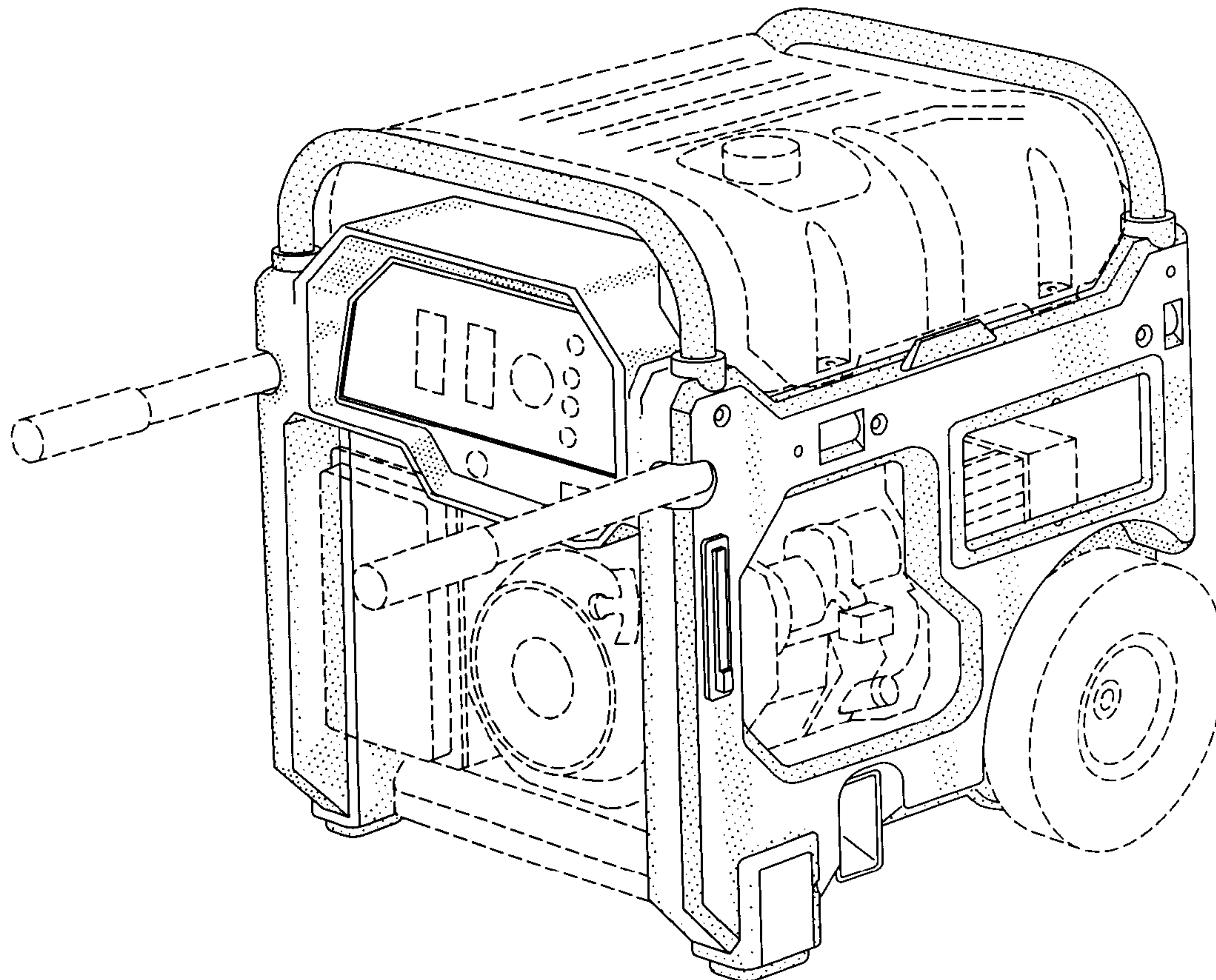
**U.S. PATENT DOCUMENTS**

D149,364 S \* 4/1948 Kern ..... D13/110  
D276,997 S \* 1/1985 Mikado ..... D13/116  
D282,734 S \* 2/1986 Shibuya ..... D13/114  
D418,809 S \* 1/2000 Frank ..... D13/112

FIG. 1 is a top, right front perspective view of a generator, showing my new design;  
FIG. 2 is a front elevation view thereof;  
FIG. 3 is a rear elevation view thereof;  
FIG. 4 is a right side elevation view thereof;  
FIG. 5 is a left side elevation view thereof;  
FIG. 6 is a top plan view thereof; and,  
FIG. 7 is a bottom plan view thereof.

The broken line showing is for illustrative purposes only and forms no part of the claimed design.

**1 Claim, 7 Drawing Sheets**



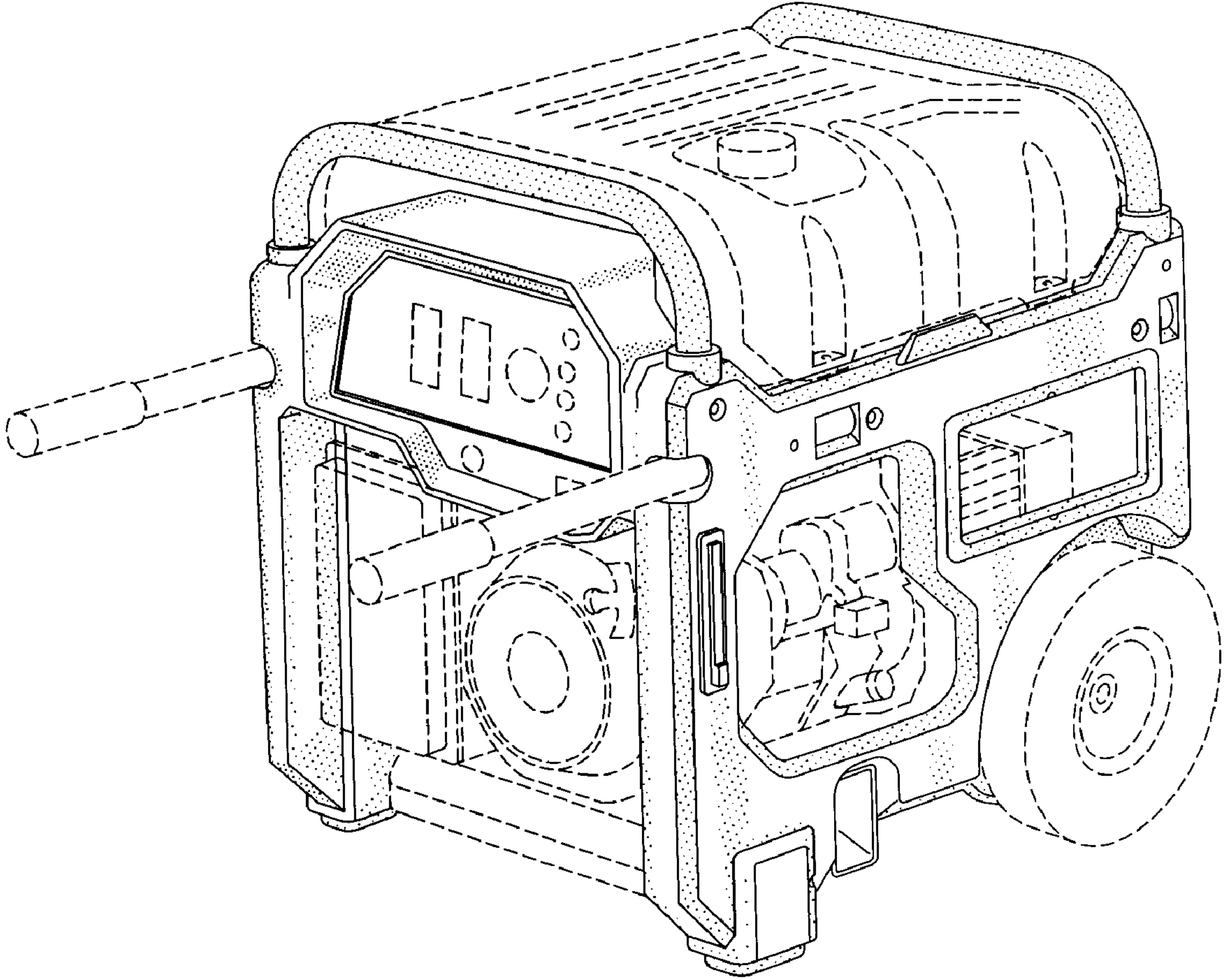


FIG. 1

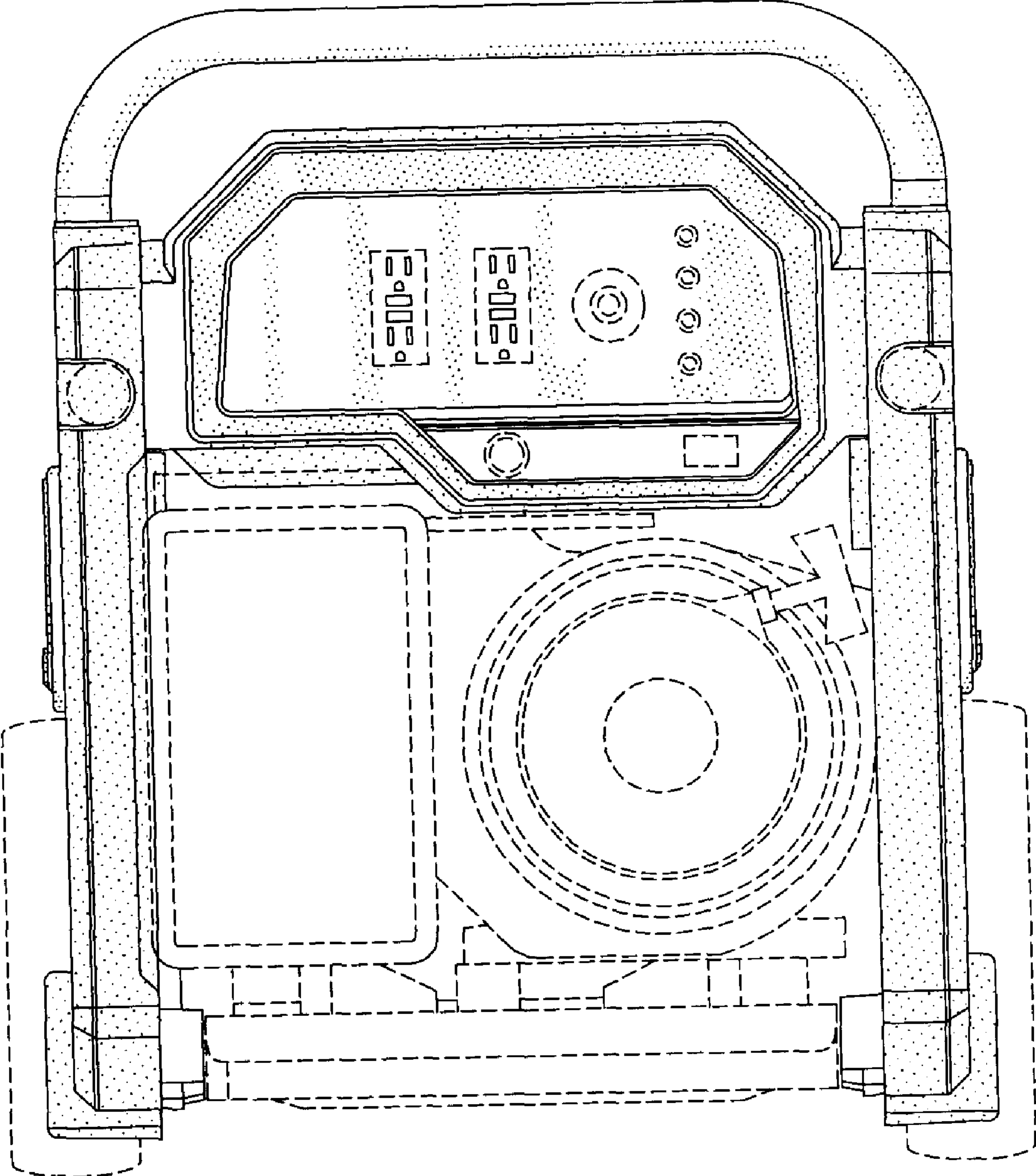


FIG. 2



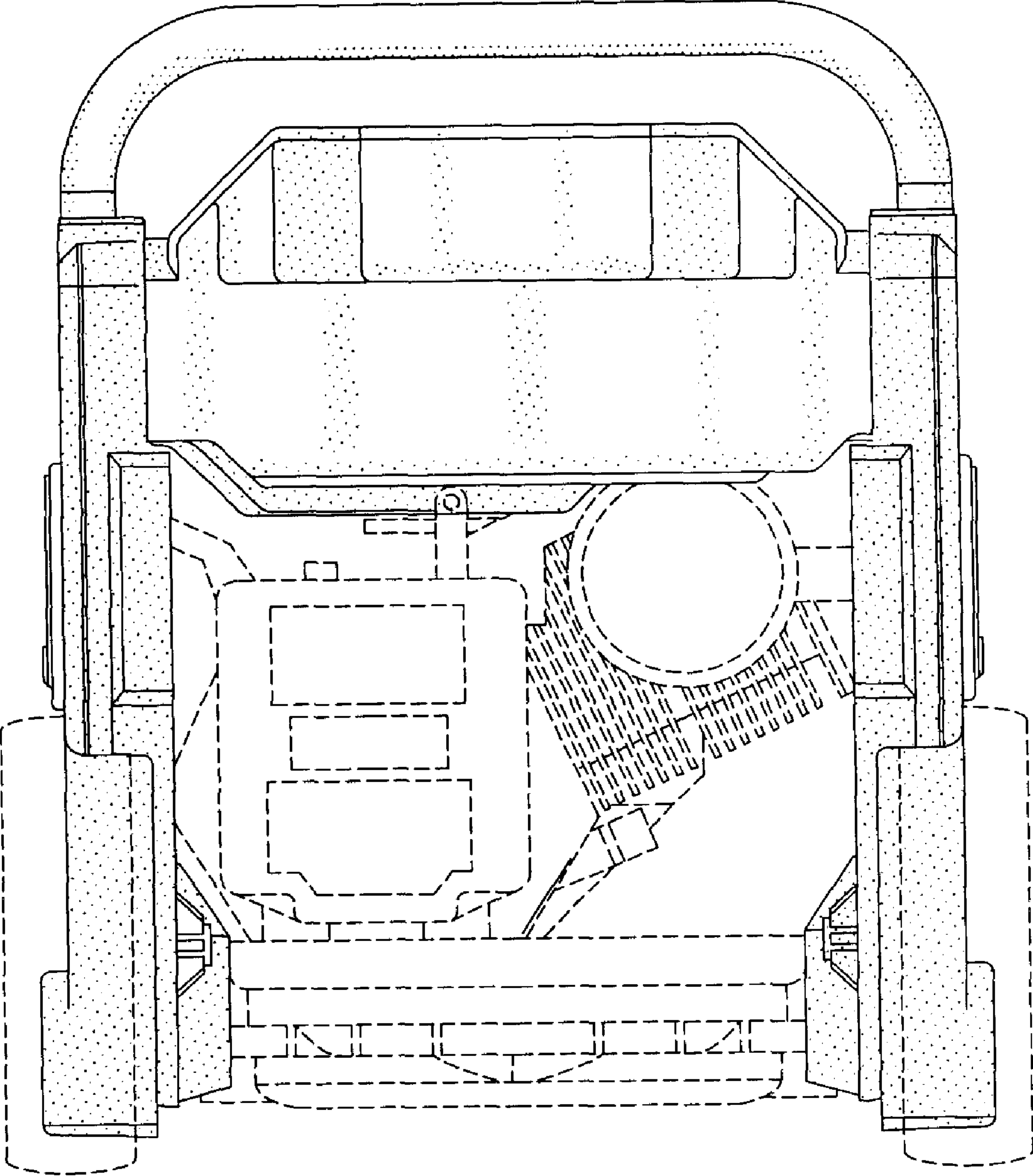


FIG. 3

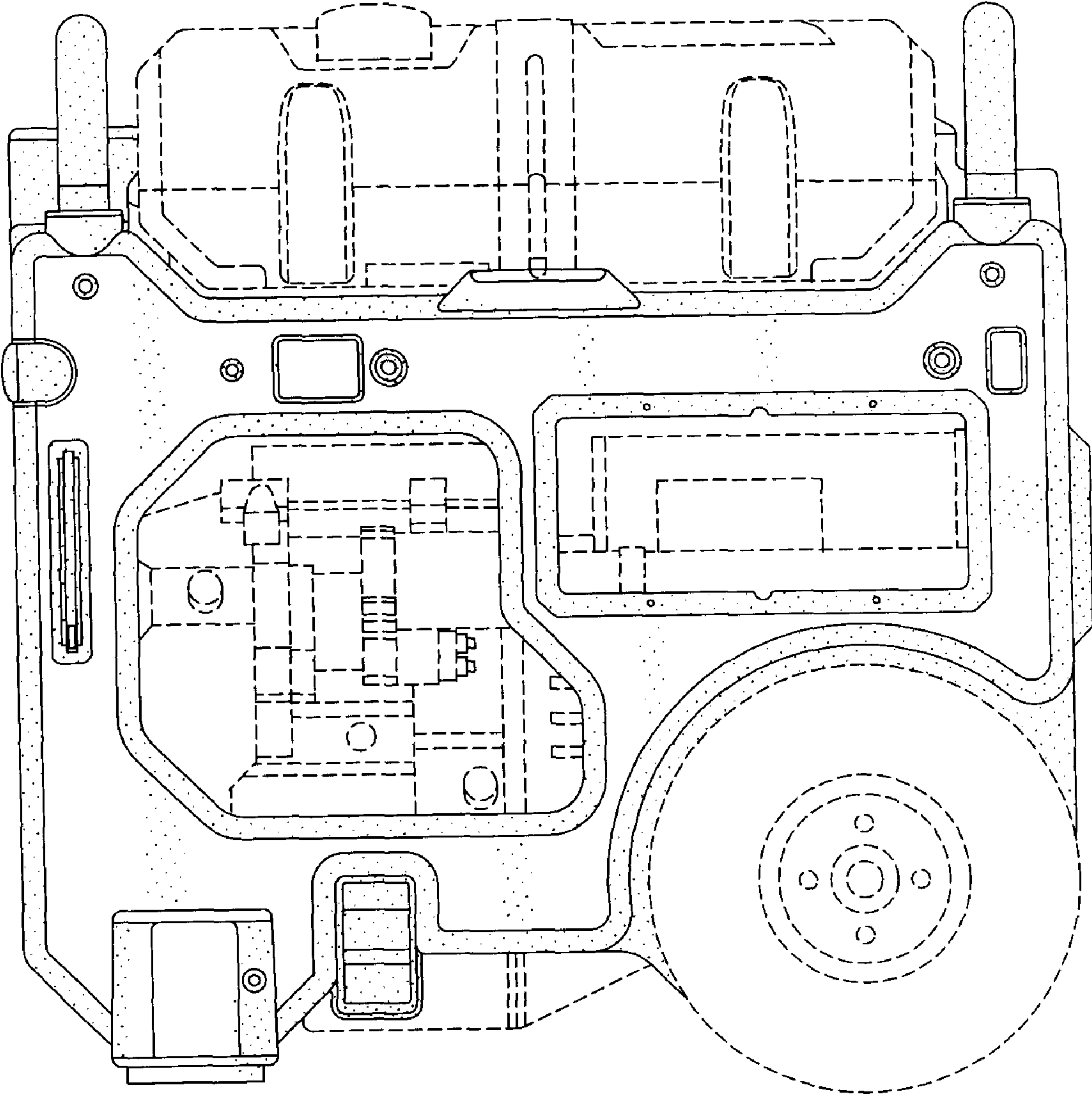


FIG. 4

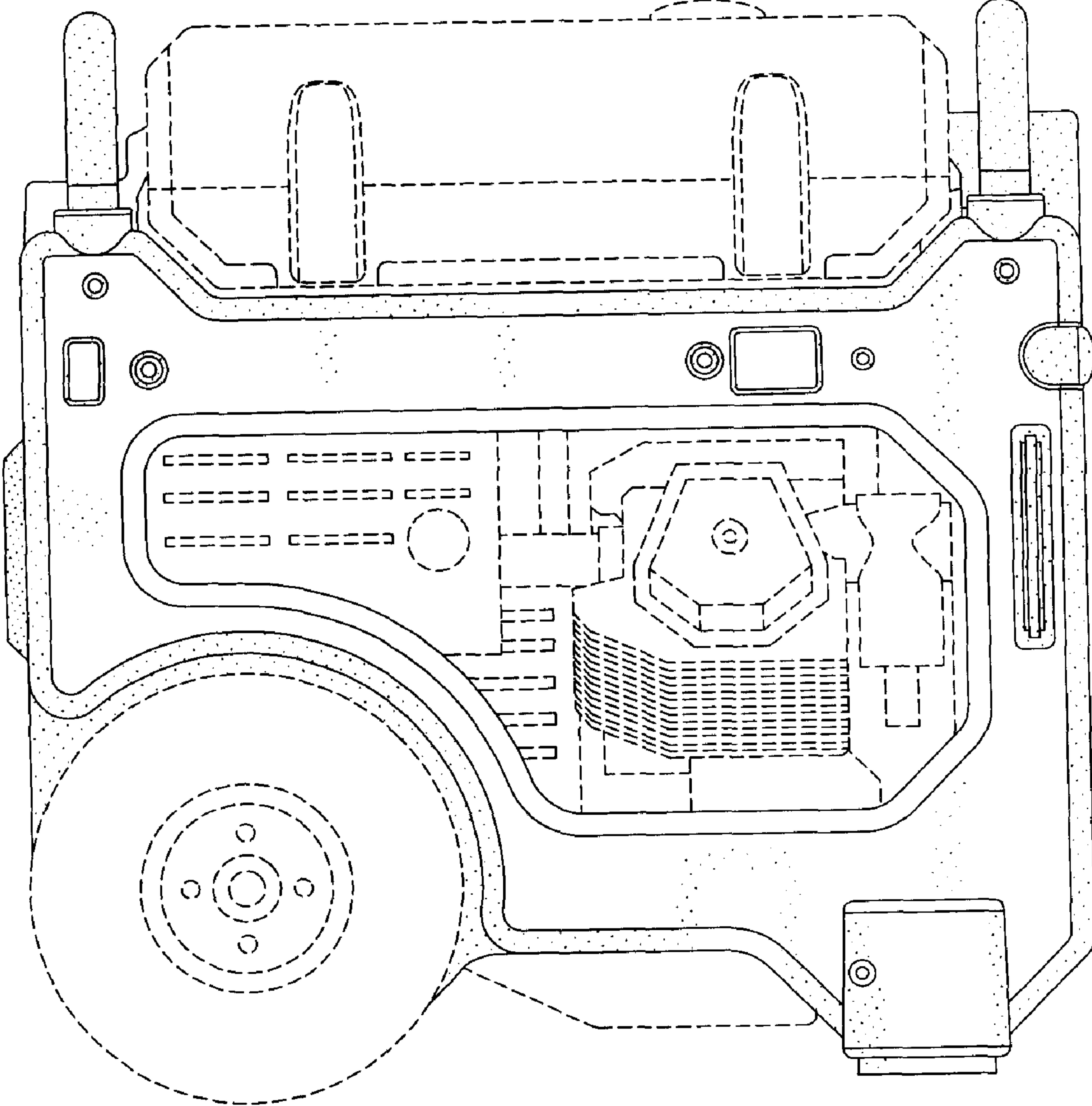


FIG. 5

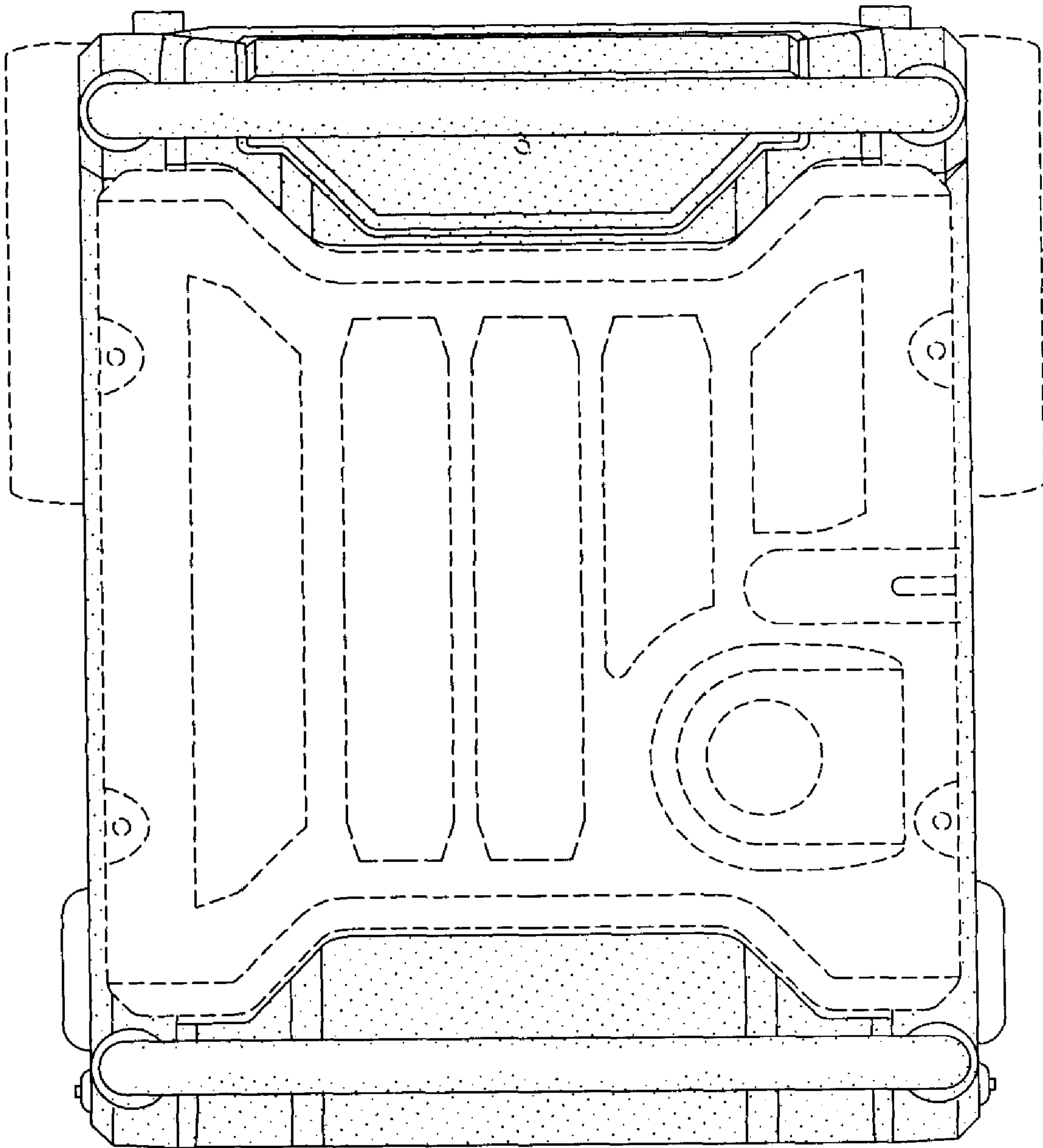


FIG. 6

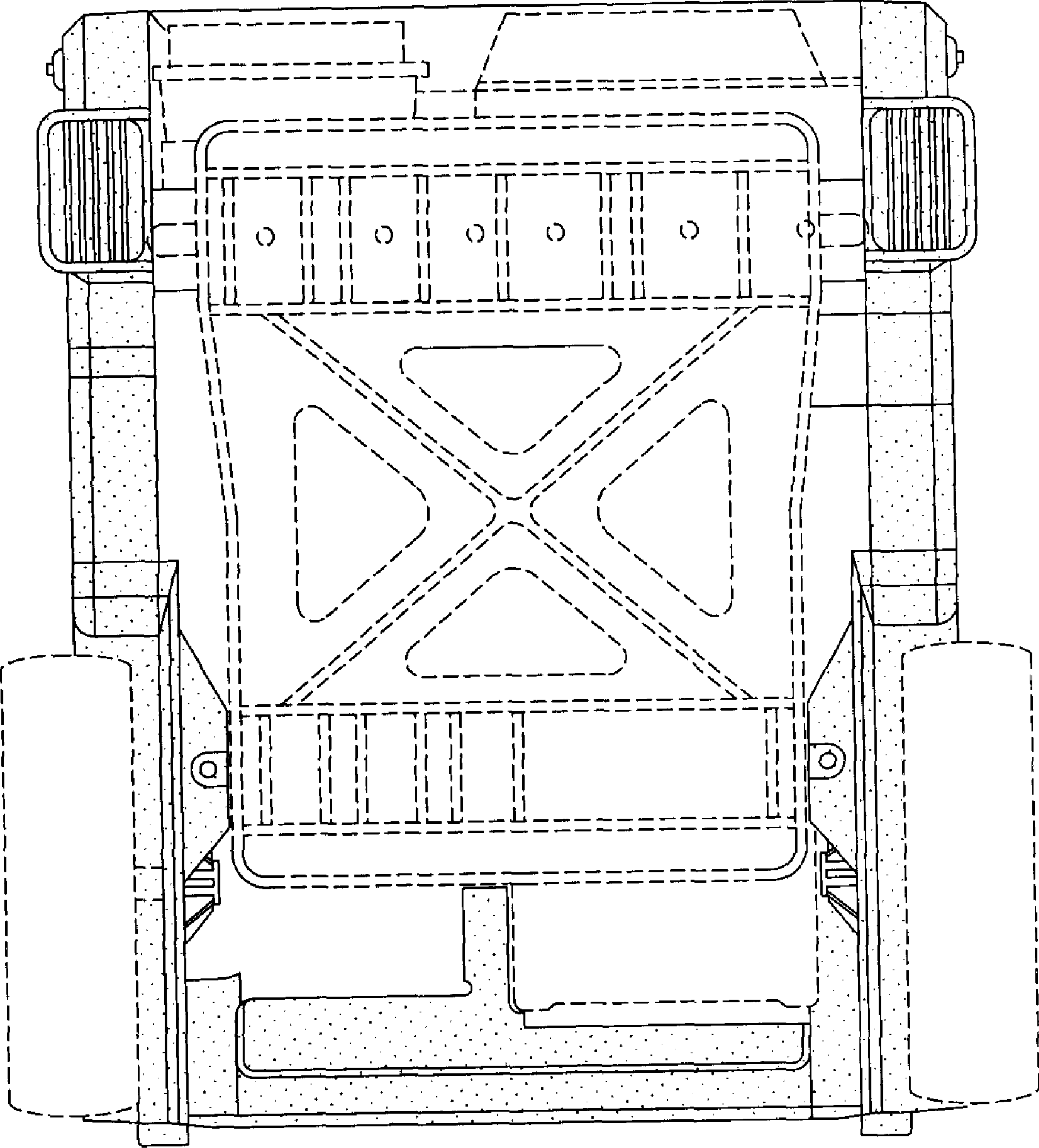


FIG. 7