



US00D516505S

(12) **United States Design Patent**
Niitsuma et al.

(10) **Patent No.: US D516,505 S**
(45) **Date of Patent: ** *Mar. 7, 2006**

(54) **BATTERY CASE**
(75) Inventors: **Toshitaka Niitsuma**, Chigasaki (JP);
Akio Kujirai, Zama (JP); **Hiroki**
Takeshima, Fujisawa (JP)
(73) Assignee: **Matsushita Electric Industrial Co.,**
Ltd., Osaka (JP)
(*) Notice: This patent is subject to a terminal dis-
claimer.
(**) Term: **14 Years**

4,634,642 A * 1/1987 Lopez-Doriga
Lopez-Doriga 429/121
D368,068 S * 3/1996 Alden et al. D13/110
D368,261 S 3/1996 Shushurin
D395,654 S 6/1998 Mackie et al.
D403,660 S * 1/1999 Poon D13/106
D404,396 S 1/1999 Mackie et al.
D410,653 S 6/1999 Roy et al.
D418,808 S 1/2000 Lee
D418,810 S * 1/2000 Hogan et al. D13/118
D454,111 S * 3/2002 Rodriguez D13/110
D480,356 S 10/2003 Omori et al.

(21) Appl. No.: **29/203,799**
(22) Filed: **Apr. 20, 2004**
(30) **Foreign Application Priority Data**

FOREIGN PATENT DOCUMENTS
JP D1079253 7/2000
JP D1109968 5/2001
JP D1123373 10/2001
* cited by examiner

Feb. 3, 2004 (JP) 2004-002651
(51) **LOC (8) Cl.** **13-02**
(52) **U.S. Cl.** **D13/106**
(58) **Field of Classification Search** D13/102-106,
D13/110, 118-119, 184; 429/96-100, 153-154,
429/160, 163, 176, 187
See application file for complete search history.

Primary Examiner—Alan P. Douglas
Assistant Examiner—Rosemary Tarcza
(74) *Attorney, Agent, or Firm*—Brinks Hofer Gilson &
Lione

(56) **References Cited**

(57) **CLAIM**

We claim the ornamental design for a battery case, as shown
and described.

U.S. PATENT DOCUMENTS

DESCRIPTION

971,876 A * 10/1910 Apple 429/176
1,200,994 A 10/1916 Shindel
1,341,871 A 6/1920 Algren
1,408,435 A * 3/1922 Beeneck 429/99
1,539,119 A * 5/1925 Johnson 280/47.35
1,696,001 A 12/1928 Gunkel
D135,215 S * 3/1943 Patche D13/110
D201,083 S * 5/1965 Roth D13/110
3,871,924 A * 3/1975 DeMattie et al. 429/176
D261,259 S * 10/1981 Swartz D13/110

FIG. 1 is a top perspective view of a battery case of the
present invention;
FIG. 2 is an inverted rear elevation view thereof;
FIG. 3 is a top plan view thereof;
FIG. 4 is a front elevation view thereof;
FIG. 5 is vertical view of a first side thereof;
FIG. 6 is vertical view of a second side thereof; and,
FIG. 7 is bottom plan view thereof.

1 Claim, 3 Drawing Sheets

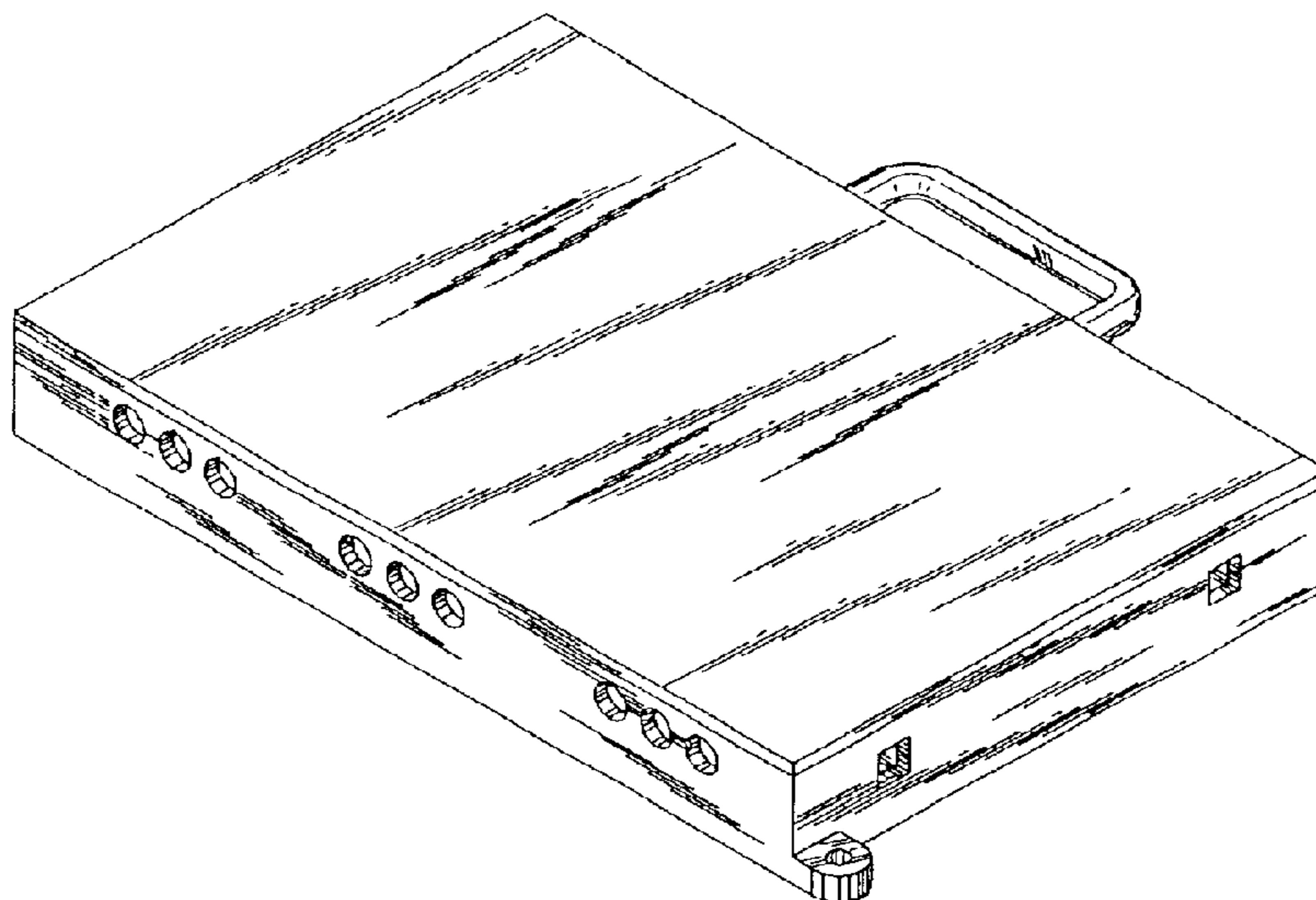


FIG. 1

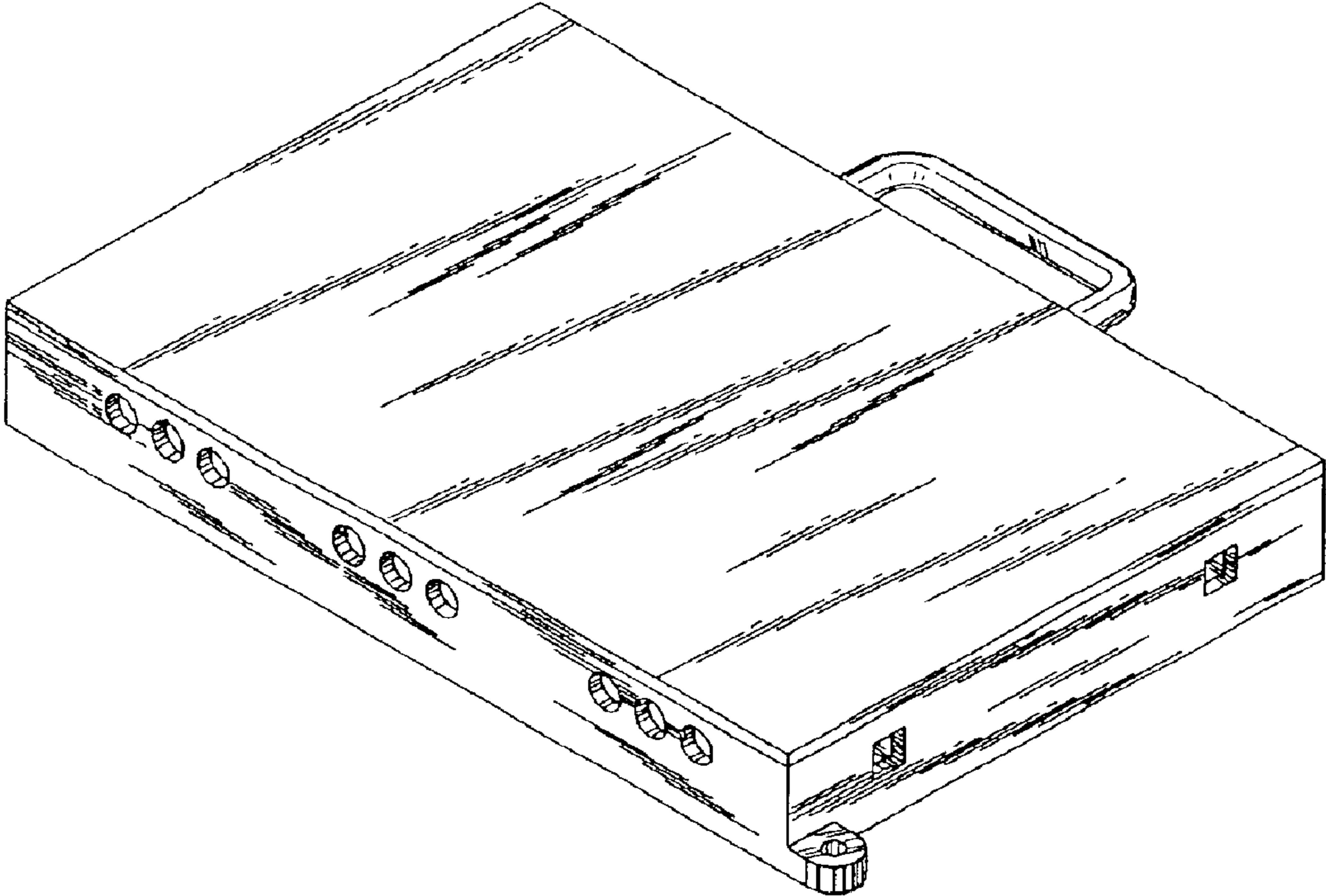


FIG. 2

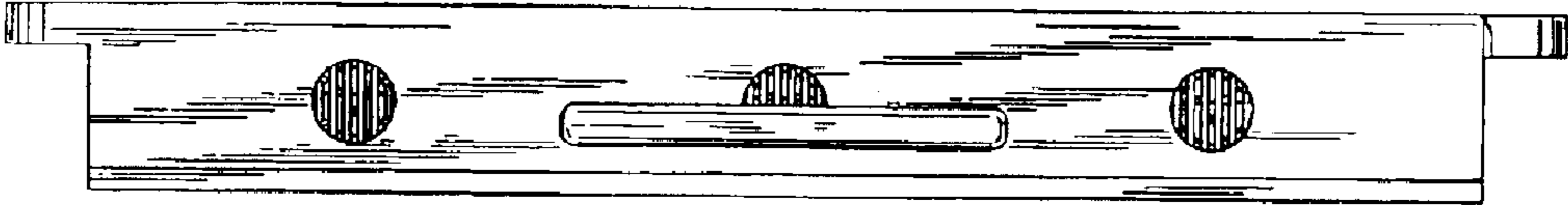


FIG. 3

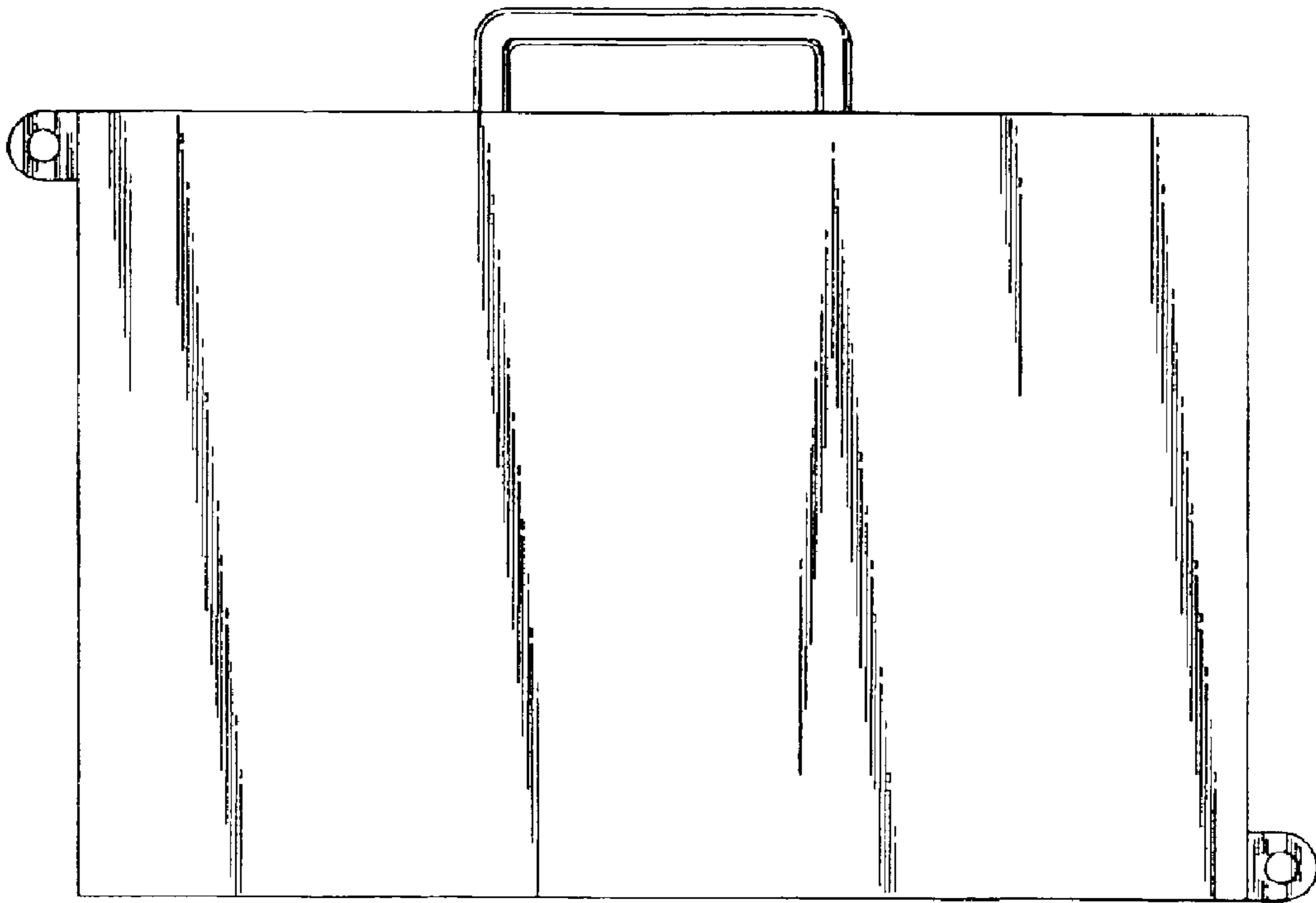


FIG. 4

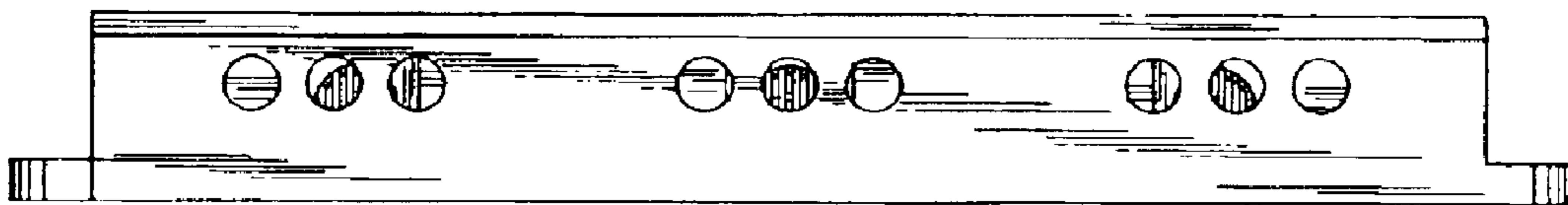


FIG. 5

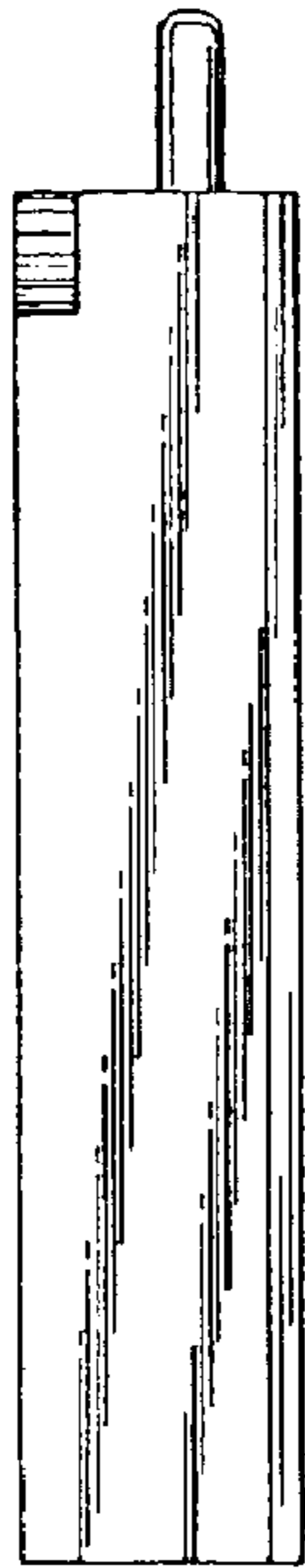


FIG. 6



FIG. 7

