



US00D516504S

(12) **United States Design Patent** (10) **Patent No.:** **US D516,504 S**  
**Okuda et al.** (45) **Date of Patent:** **\*\* Mar. 7, 2006**

(54) **BATTERY PACK**

(75) Inventors: **Shinsuke Okuda, Anjo (JP); Kazuma Oshima, Anjo (JP); Yoichi Kato, Anjo (JP)**

(73) Assignee: **Makita Corporation, Aichi-ken (JP)**

(\*\*) Term: **14 Years**

(21) Appl. No.: **29/229,135**

(22) Filed: **May 4, 2005**

**Related U.S. Application Data**

(62) Division of application No. 29/195,724, filed on Dec. 17, 2003.

**Foreign Application Priority Data**

Jun. 24, 2003 (JP) ..... 2003-21929  
 Jun. 24, 2003 (JP) ..... 2003-21936

(51) **LOC (8) Cl.** ..... **13-02**

(52) **U.S. Cl.** ..... **D13/103**

(58) **Field of Classification Search** ..... D13/103-104, D13/106-108, 110, 118-119, 184; D14/188; 429/96-100, 163, 178

See application file for complete search history.

(56) **References Cited**

**U.S. PATENT DOCUMENTS**

D300,132 S \* 3/1989 Culbertson et al. .... D13/103

D413,564 S \* 9/1999 Hershberger et al. .... D13/103  
 D415,100 S \* 10/1999 Buck ..... D13/103  
 D460,412 S \* 7/2002 Nawrozki ..... D13/107  
 6,566,005 B1 \* 5/2003 Shimma et al. .... 429/148  
 D475,679 S \* 6/2003 Cooper et al. .... D13/103  
 D477,811 S \* 7/2003 Niwa et al. .... D13/103  
 D478,608 S \* 8/2003 Briks et al. .... D16/237  
 D481,672 S \* 11/2003 Niwa et al. .... D13/103  
 D483,012 S \* 12/2003 Hsu ..... D13/103  
 6,783,886 B1 \* 8/2004 Sakakibara et al. .... 429/99

\* cited by examiner

*Primary Examiner*—Alan P. Douglas

*Assistant Examiner*—Rosemary K. Tarcza

(74) *Attorney, Agent, or Firm*—Dennison, Schultz, Dougherty & MacDonald

(57) **CLAIM**

The ornamental design for a battery pack, as shown and described.

**DESCRIPTION**

FIG. 1 is a perspective view of a battery pack showing our new design.

FIG. 2 is a front elevation view thereof;

FIG. 3 is a rear elevation view thereof;

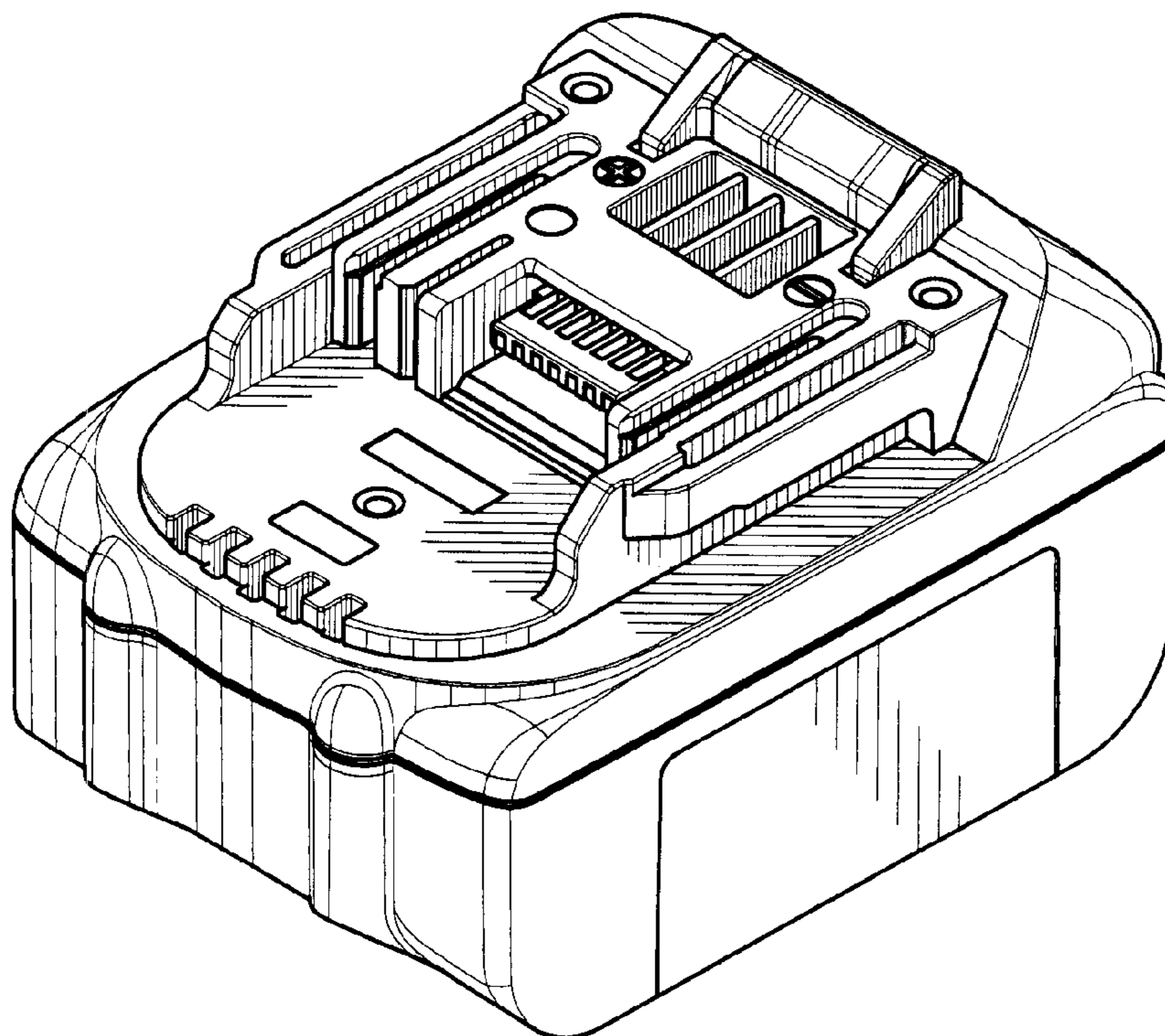
FIG. 4 is a left side elevation view thereof;

FIG. 5 is a right side elevation view thereof;

FIG. 6 is a top plan view thereof; and,

FIG. 7 is a bottom view thereof.

**1 Claim, 4 Drawing Sheets**



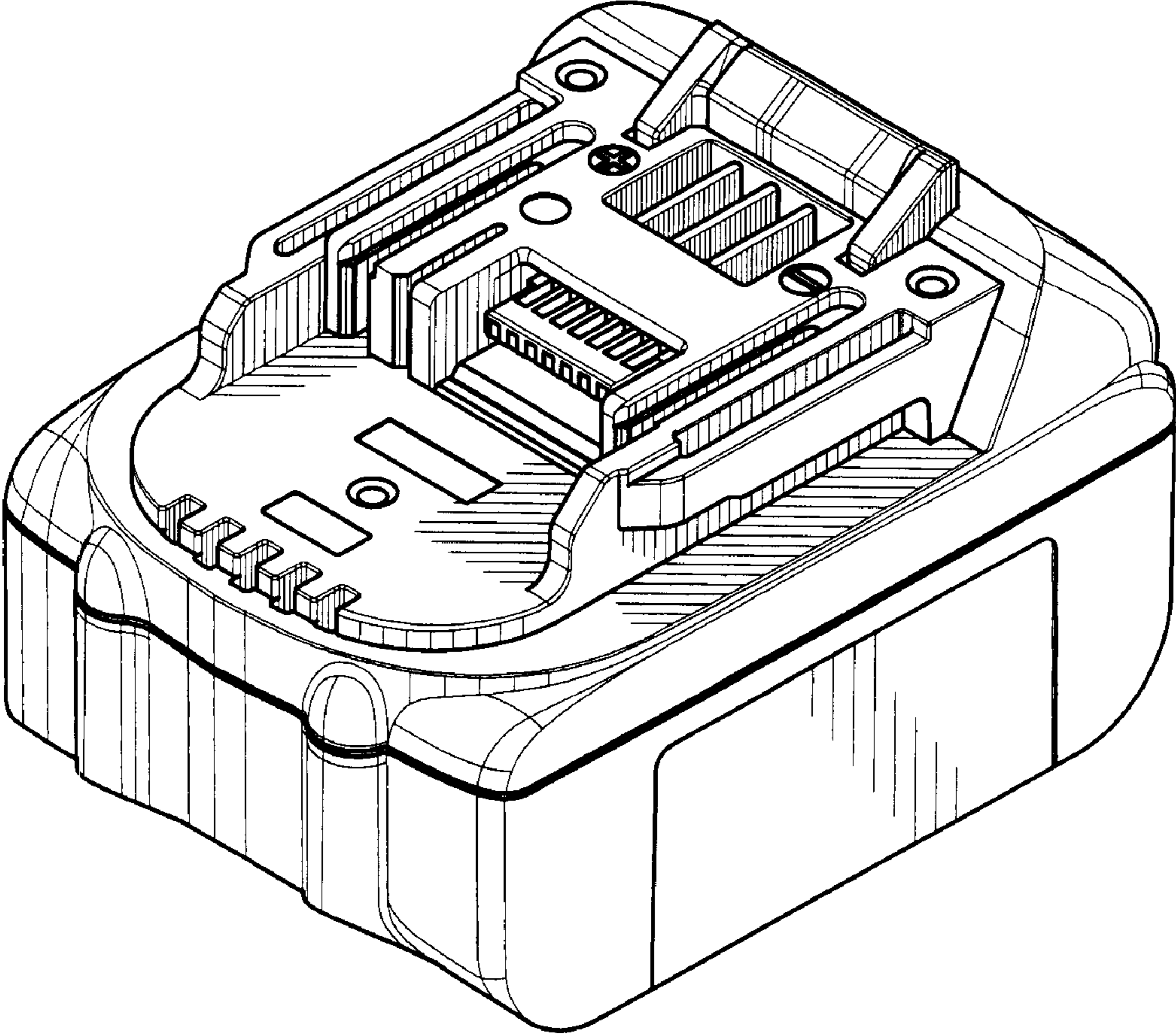


FIG. 1

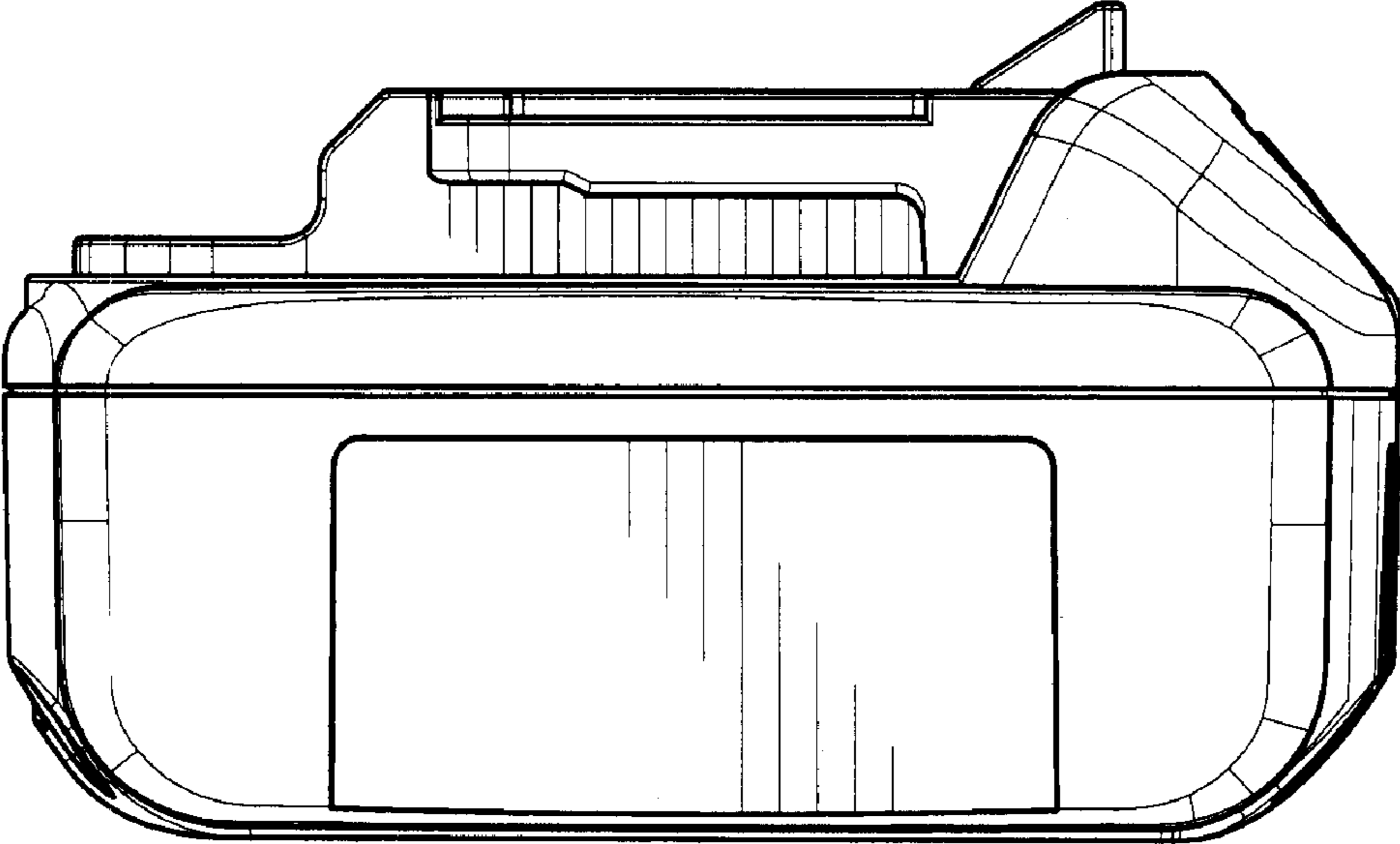


FIG. 2

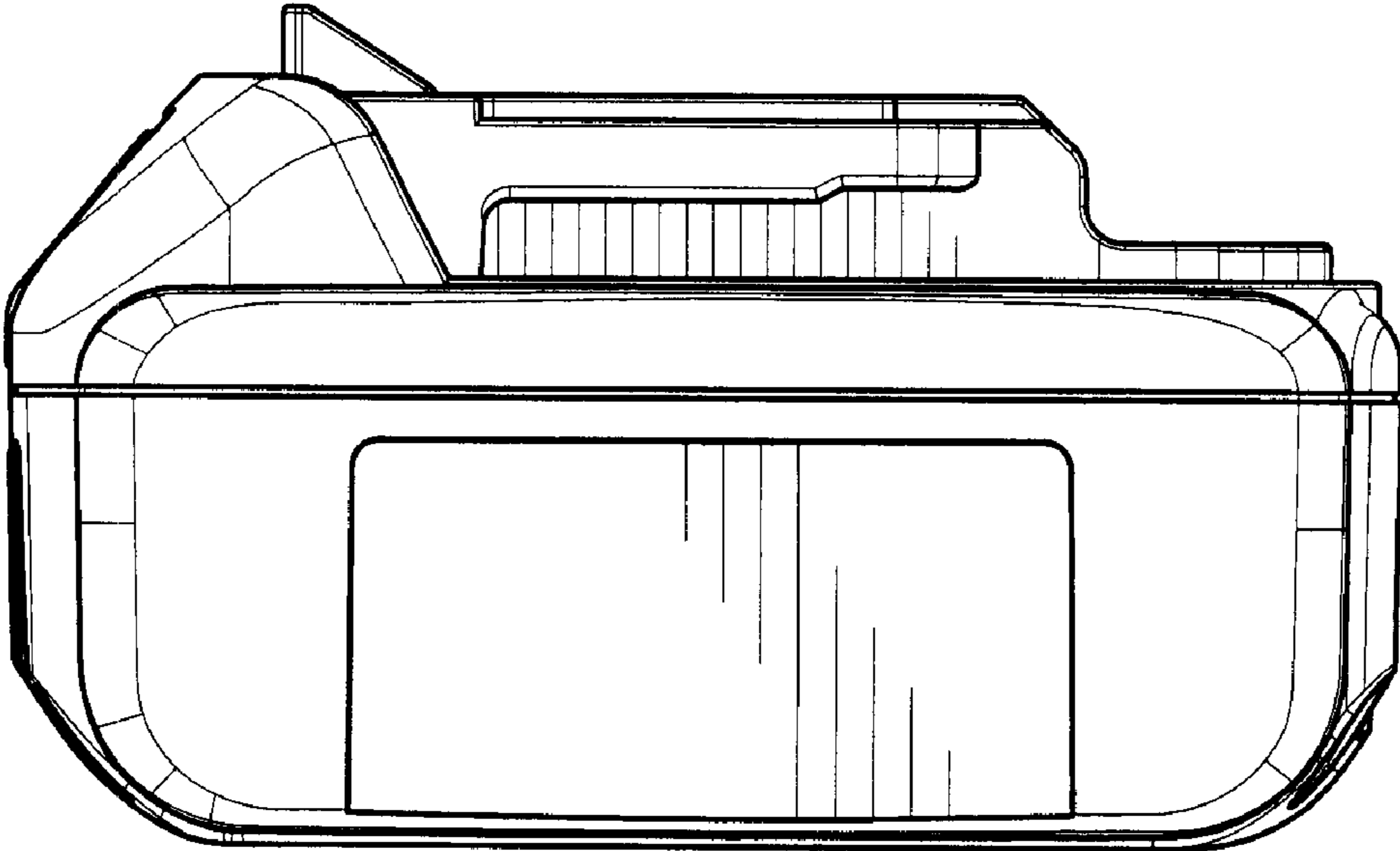


FIG. 3

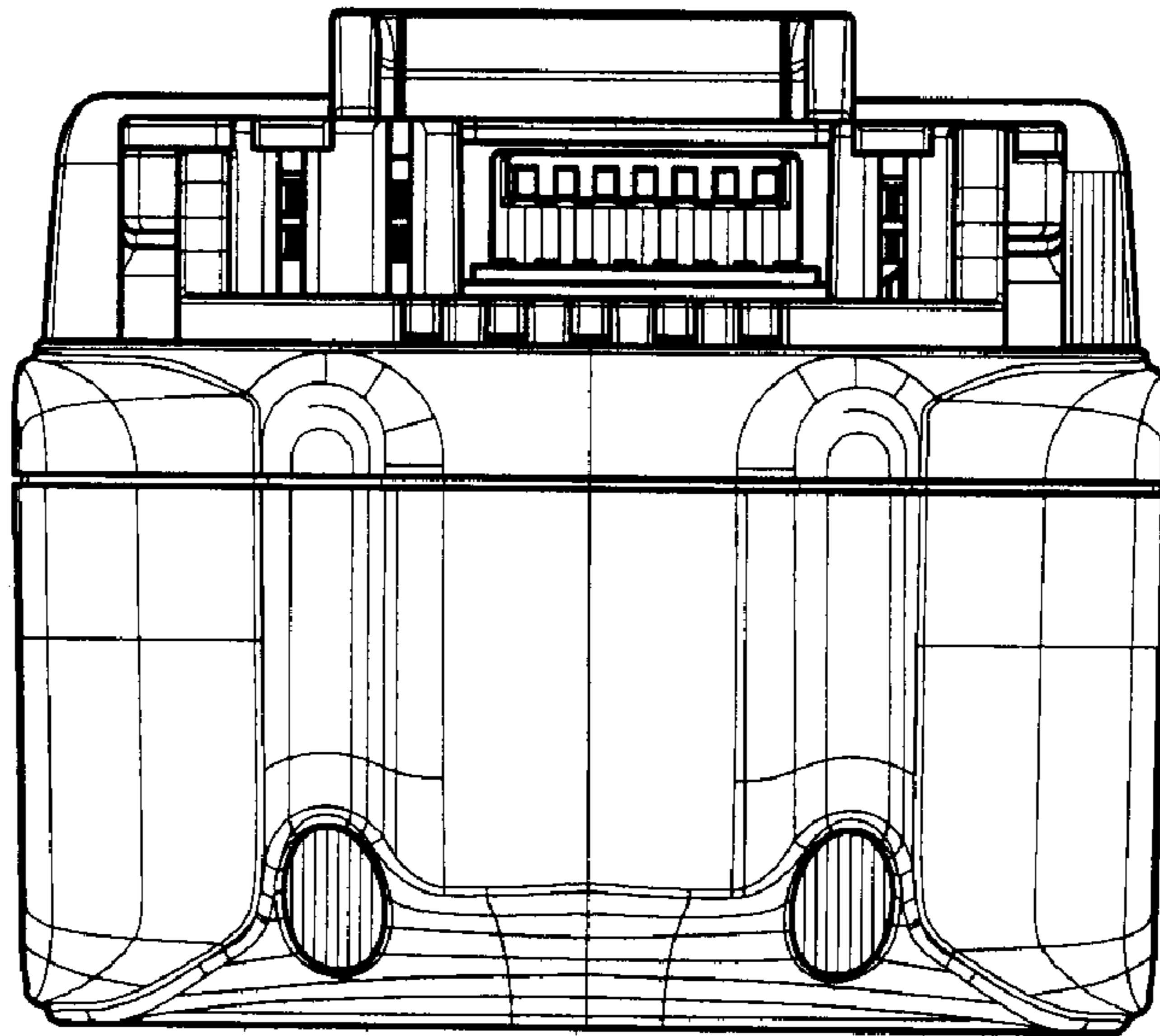


FIG. 4

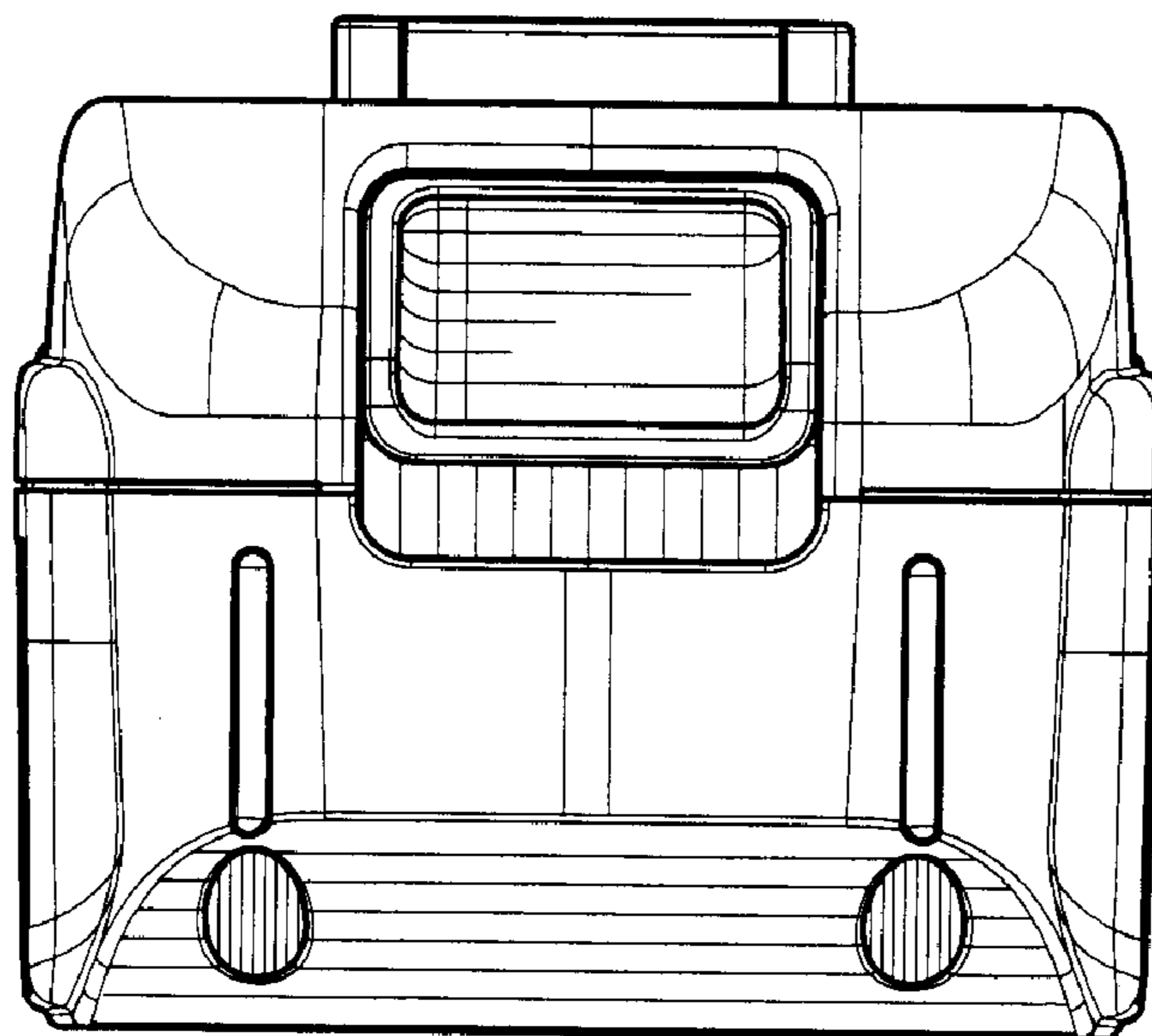


FIG. 5

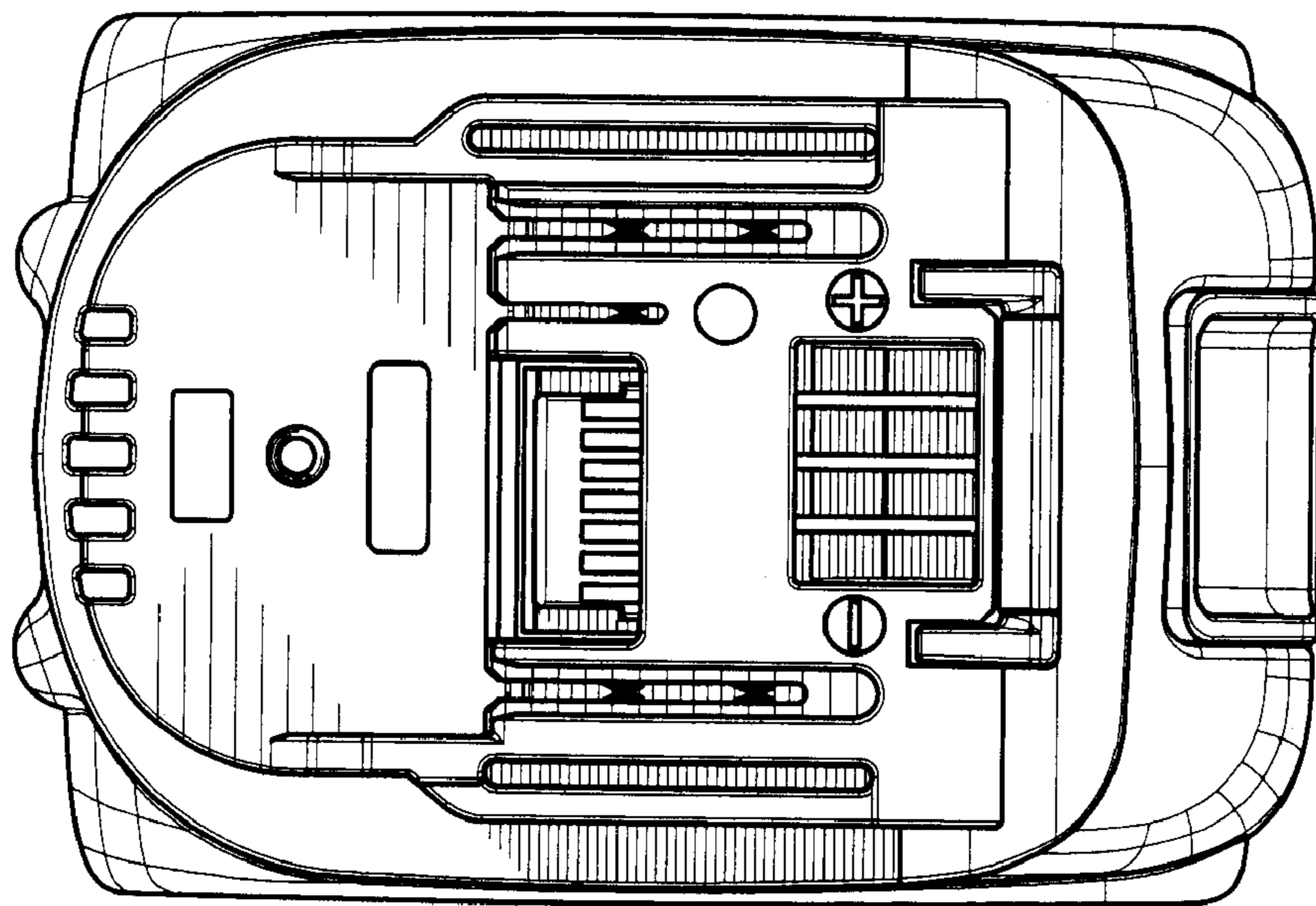


FIG. 6

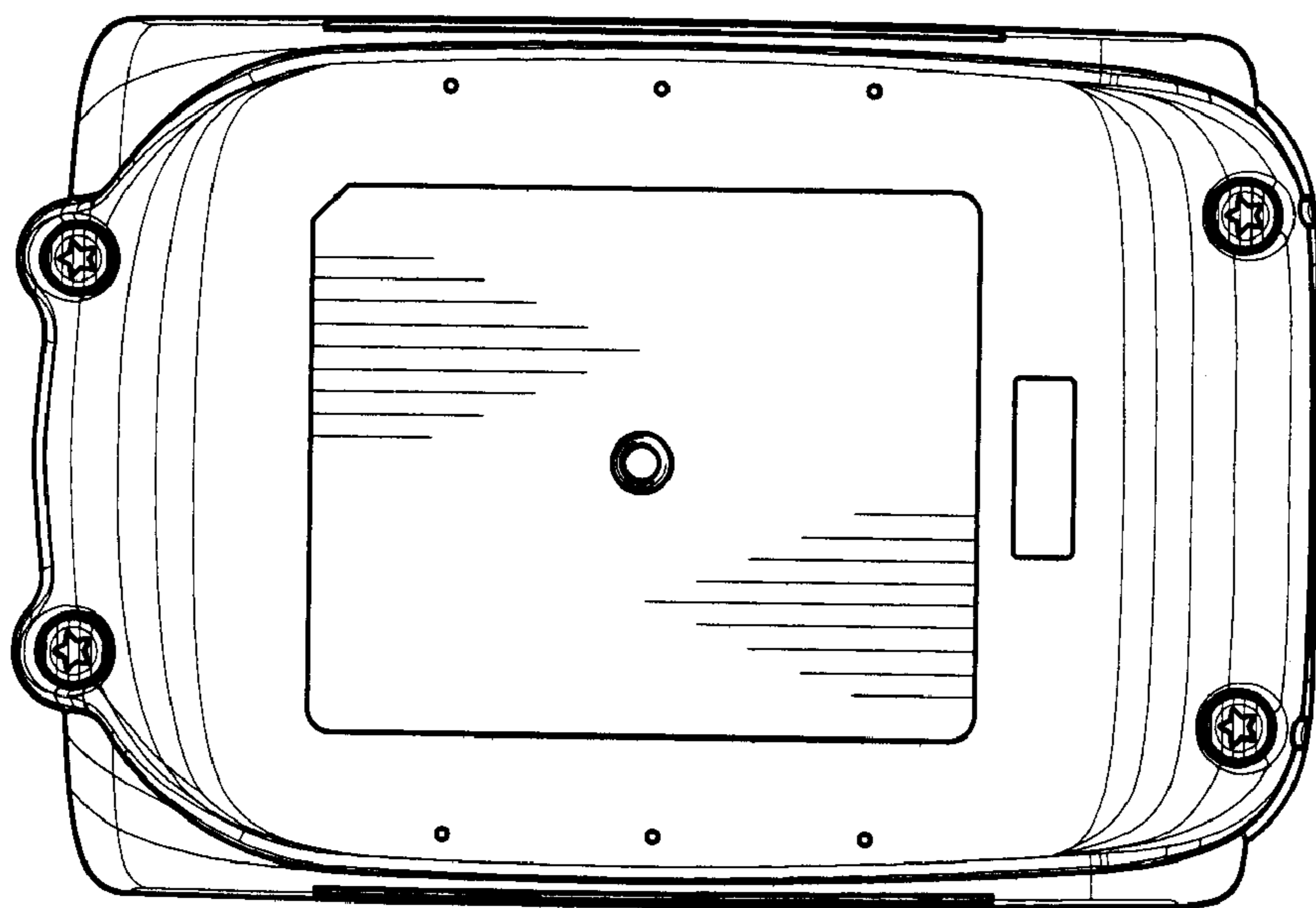


FIG. 7