



US00D516502S

(12) **United States Design Patent**
Small

(10) **Patent No.:** **US D516,502 S**
(45) **Date of Patent:** **** Mar. 7, 2006**

(54) **RECHARGEABLE BATTERY PACK**

(75) Inventor: **David Small**, San Jose, CA (US)

(73) Assignee: **Shoot the Moon Products II, LLC**,
Pleasanton, CA (US)

(**) Term: **14 Years**

(21) Appl. No.: **29/209,687**

(22) Filed: **Apr. 21, 2004**

5,378,556 A	1/1995	Yung
5,391,972 A	2/1995	Gardner et al.
5,437,938 A	8/1995	Mitsui et al.
5,473,242 A	12/1995	McKenna
5,602,454 A	2/1997	Arakawa et al.
5,626,979 A	5/1997	Mitsui et al.
5,661,392 A	8/1997	Imazeki
5,672,441 A	9/1997	Aoki et al.
5,760,569 A	6/1998	Chase, Jr.
5,853,915 A	12/1998	Suto
D408,784 S	4/1999	Maeyama
5,939,859 A	8/1999	Morita
D414,158 S	* 9/1999	Frye et al. D13/103

Related U.S. Application Data

(Continued)

(62) Division of application No. 10/412,509, filed on Apr. 11, 2003, now Pat. No. 6,777,910, which is a division of application No. 09/915,463, filed on Jul. 26, 2001, now Pat. No. 6,646,414, which is a division of application No. 09/591,709, filed on Jun. 9, 2000, now Pat. No. 6,326,766.

Primary Examiner—Alan P. Douglas
Assistant Examiner—Rosemary Tarcza
(74) *Attorney, Agent, or Firm*—Blakely Sokoloff Taylor & Zafman LLP

(51) **LOC (8) Cl.** **13-02**

(57) **CLAIM**

(52) **U.S. Cl.** **D13/103**

The ornamental design for a rechargeable battery pack, substantially as shown and described.

(58) **Field of Classification Search** D13/102–106,
D13/110, 119, 184; 429/96–100, 163, 178

See application file for complete search history.

DESCRIPTION

(56) **References Cited**

U.S. PATENT DOCUMENTS

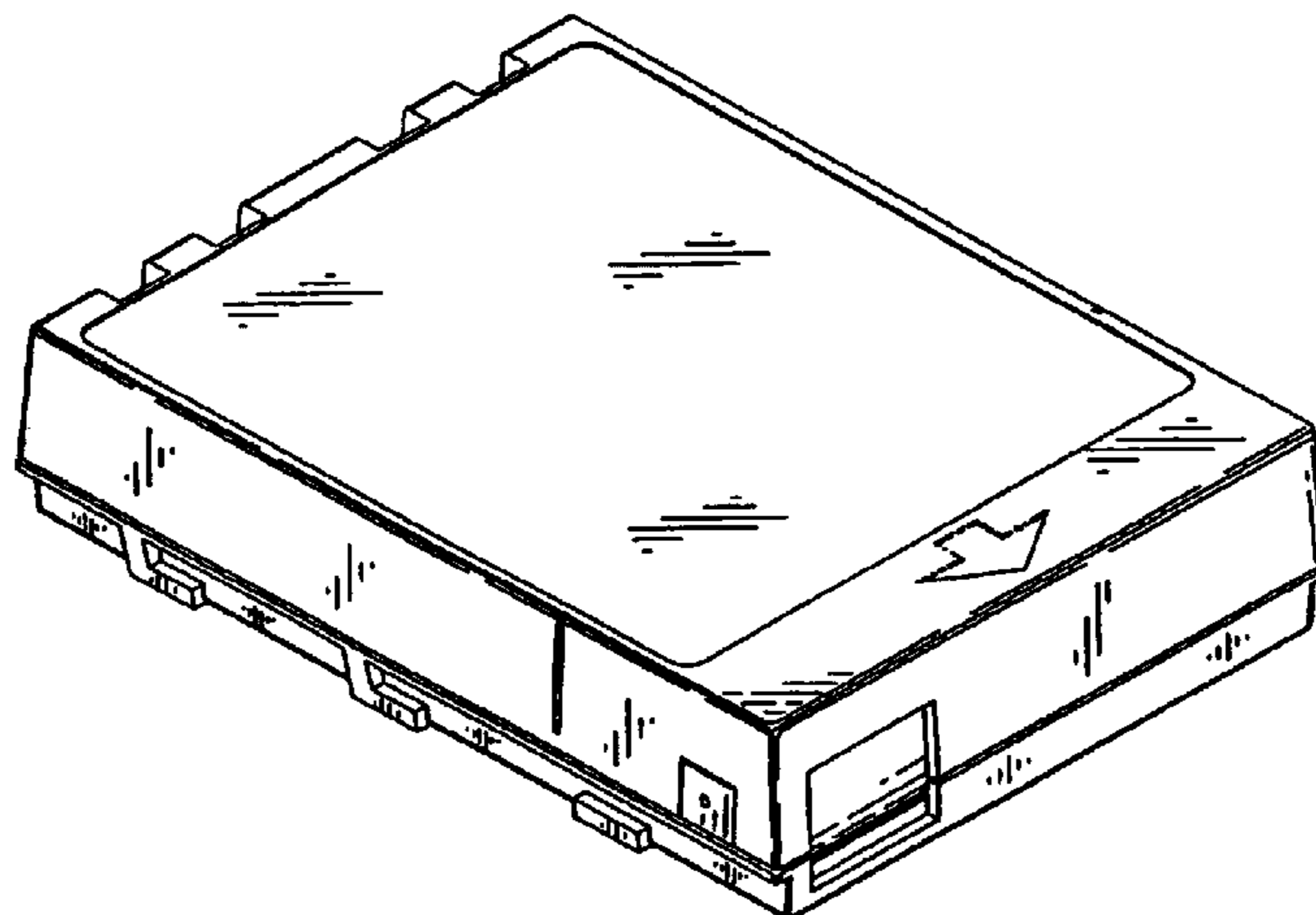
D239,450 S	*	4/1976	Henning et al.	D13/119
4,146,682 A		3/1979	Nakao	
D265,989 S	*	8/1982	Harris et al.	D13/184
D268,341 S	*	3/1983	Mallon	D13/119
4,382,219 A		5/1983	Heine et al.	
D277,747 S	*	2/1985	Toth	D13/103
4,553,081 A		11/1985	Koenck	
4,943,498 A		7/1990	Cooper et al.	
5,140,138 A		8/1992	Tanaka	
5,191,275 A		3/1993	Singhal	
5,200,687 A		4/1993	Lindblom et al.	
5,225,760 A		7/1993	Leiserson	
5,227,262 A		7/1993	Ozer	
5,250,892 A		10/1993	Yang	
5,251,105 A		10/1993	Kobayashi et al.	
5,317,247 A		5/1994	Chong et al.	
5,363,031 A		11/1994	Miller et al.	

FIG. 1 is a front perspective view from above of our new design for a rechargeable battery pack;
FIG. 2 is a rear perspective view from below thereof;
FIG. 3 is a top plan view thereof;
FIG. 4 is a right side elevational view thereof;
FIG. 5 is a bottom plan view thereof;
FIG. 6 is a left side elevational view thereof;
FIG. 7 is a front elevational view thereof; and,
FIG. 8 is a rear elevational view thereof.

The rechargeable battery pack is used to store an electric charge or energy and may be inserted into a battery pack charger or a battery powered device.

The broken lines shown in FIGS. 1 and 2 are for illustrative purposes only and form no part of the first or second embodiment of our new design for a rechargeable battery pack.

1 Claim, 3 Drawing Sheets



US D516,502 S

Page 2

U.S. PATENT DOCUMENTS

D414,159 S	*	9/1999	Deslyper et al.	D13/103	D423,449 S	*	4/2000	Naskali	D13/103
D417,187 S		11/1999	Maeyama		D438,508 S	*	3/2001	Stanford et al.	D13/103
D417,188 S		11/1999	Maeyama		D444,448 S	*	7/2001	Robinson et al.	D13/103
D417,860 S		12/1999	Lau		D474,149 S	*	5/2003	Kawahata et al.	D13/103
D417,861 S		12/1999	Maeyama		D480,682 S	*	10/2003	Kawase	D13/103
6,014,010 A		1/2000	Yao		D481,995 S	*	11/2003	Yokota	D13/103
6,023,146 A		2/2000	Casale et al.		D489,678 S	*	5/2004	Axelrod	D13/103

* cited by examiner

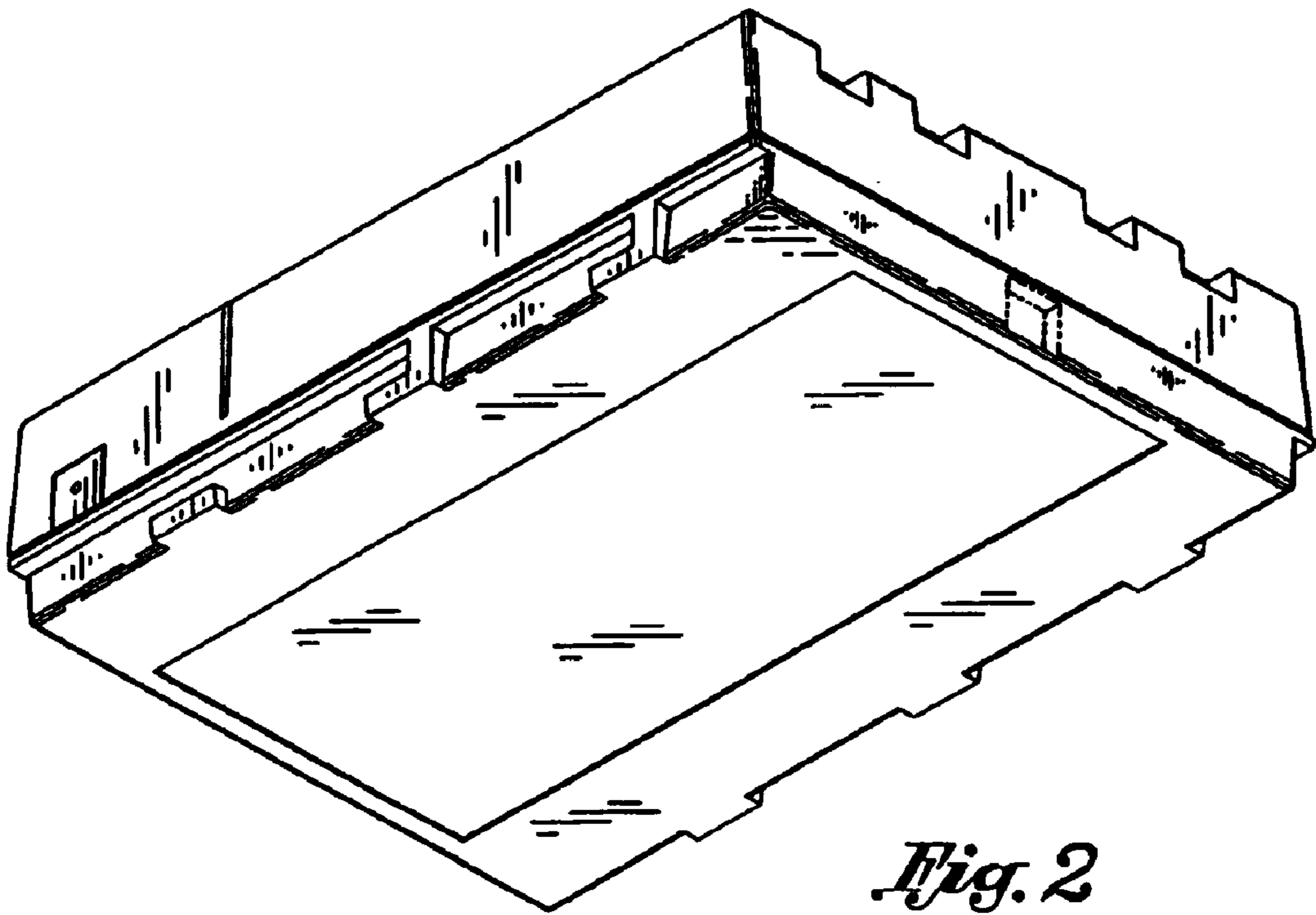
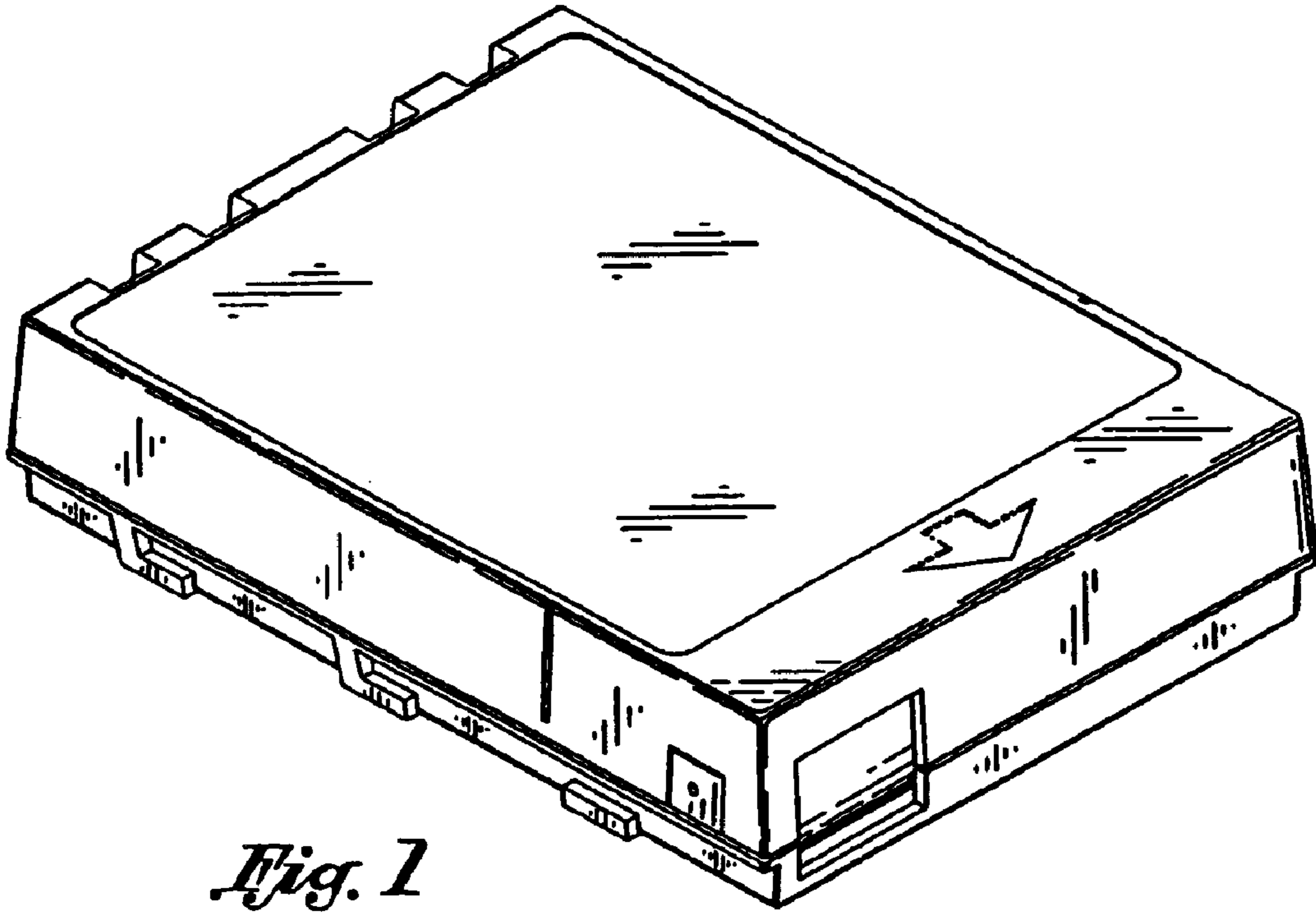


Fig. 3

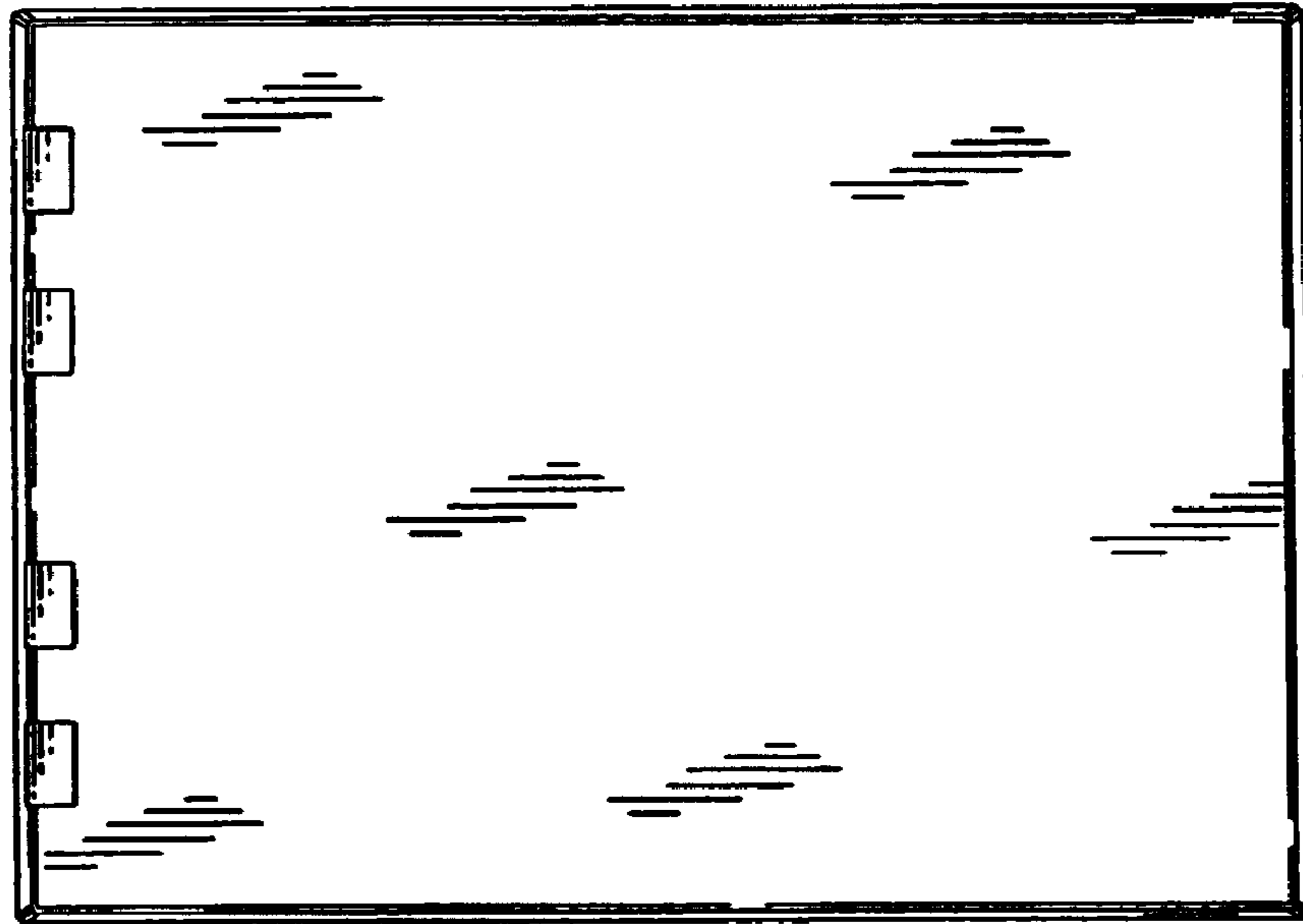


Fig. 4

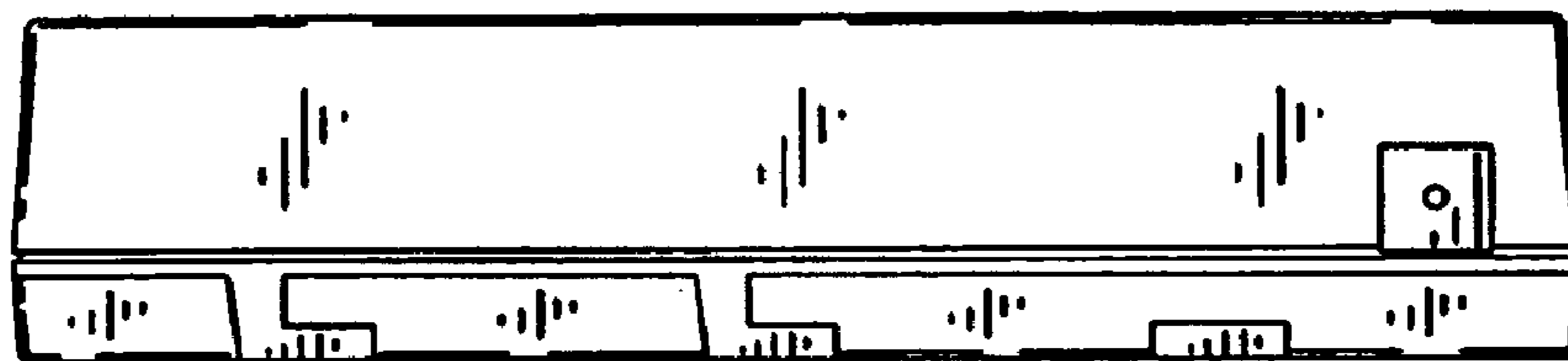


Fig. 5

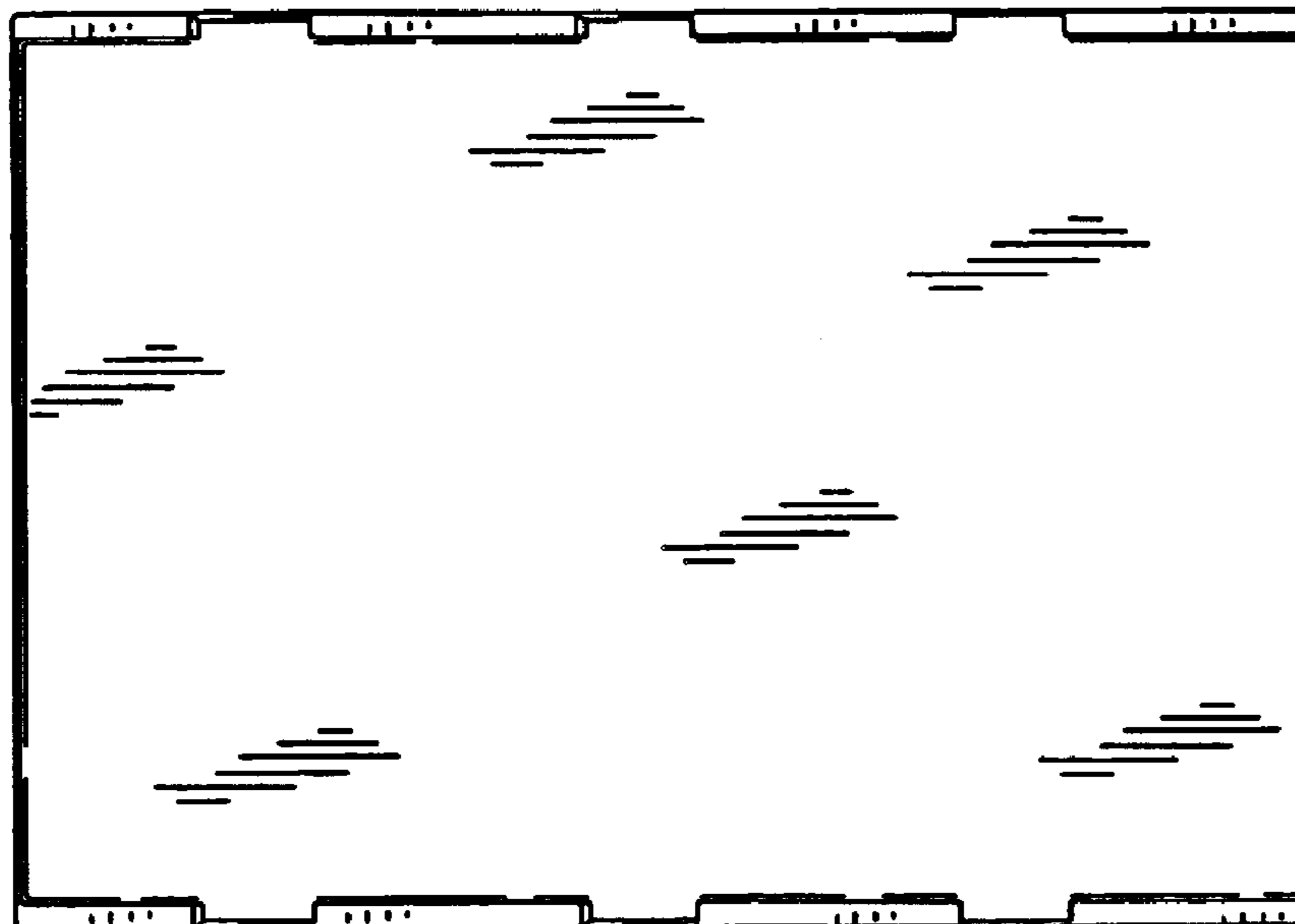


Fig. 6



Fig. 7



Fig. 8

