



US00D516501S

(12) **United States Design Patent**
Ware, Jr.

(10) **Patent No.: US D516,501 S**
(45) **Date of Patent: ** Mar. 7, 2006**

(54) **SOLAR BATTERY PACK**

(76) **Inventor: Vernon D. Ware, Jr., 165 Buckeye St.,
Woodland, CA (US) 95695**

(**) **Term: 14 Years**

(21) **Appl. No.: 29/218,037**

(22) **Filed: Nov. 26, 2004**

(51) **LOC (8) Cl. 13-02**

(52) **U.S. Cl. D13/102; D13/107**

(58) **Field of Classification Search D13/101-102,
D13/104-107, 119, 184, 199; 136/243-251,
136/256, 259, 291-292; 320/110-115**

See application file for complete search history.

(56) **References Cited**

U.S. PATENT DOCUMENTS

| | | | | | |
|-------------|---|---------|----------------|-------|---------|
| D240,630 S | * | 7/1976 | Matsutani | | D13/102 |
| 5,522,943 A | * | 6/1996 | Spencer et al. | | 136/245 |
| D376,346 S | * | 12/1996 | Ullrich | | D13/103 |
| 5,607,794 A | * | 3/1997 | Koenig | | 429/100 |
| D391,921 S | * | 3/1998 | Zimmer et al. | | D13/102 |
| 5,792,279 A | * | 8/1998 | Tsuboi et al. | | 136/245 |
| D400,162 S | * | 10/1998 | Lam | | D13/107 |

| | | | | | |
|--------------|---|---------|-----------------|-------|---------|
| D400,163 S | * | 10/1998 | Lam | | D13/107 |
| D422,964 S | | 4/2000 | Lam | | |
| D441,712 S | * | 5/2001 | Lam | | D13/107 |
| 6,650,085 B1 | * | 11/2003 | Lau et al. | | 320/101 |
| 6,799,742 B1 | * | 10/2004 | Nakamura et al. | | 244/173 |

* cited by examiner

Primary Examiner—Prabhakar Deshmukh

Assistant Examiner—Daniel Bui

(74) *Attorney, Agent, or Firm*—Mark Ashley Crossley;
Crossley Patent Law

(57) **CLAIM**

The ornamental design for a solar battery pack, as shown and described.

DESCRIPTION

FIG. 1 is a front elevation view of a solar battery pack showing my new design;

FIG. 2 is a rear elevation view thereof;

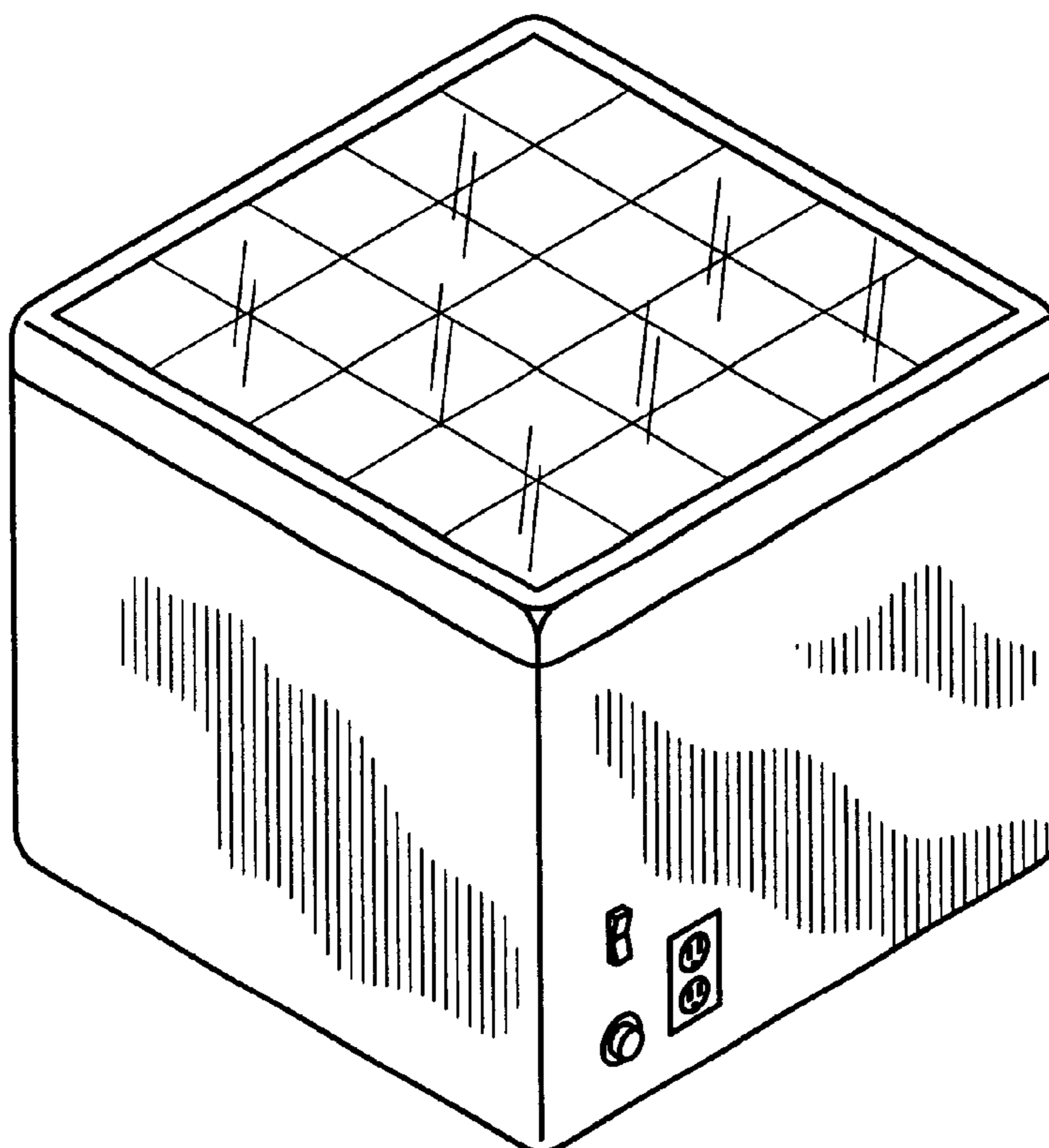
FIG. 3 is a side elevation view thereof;

FIG. 4 is a top view thereof;

FIG. 5 is a bottom view thereof; and,

FIG. 6 is a right side isometric view thereof.

1 Claim, 3 Drawing Sheets



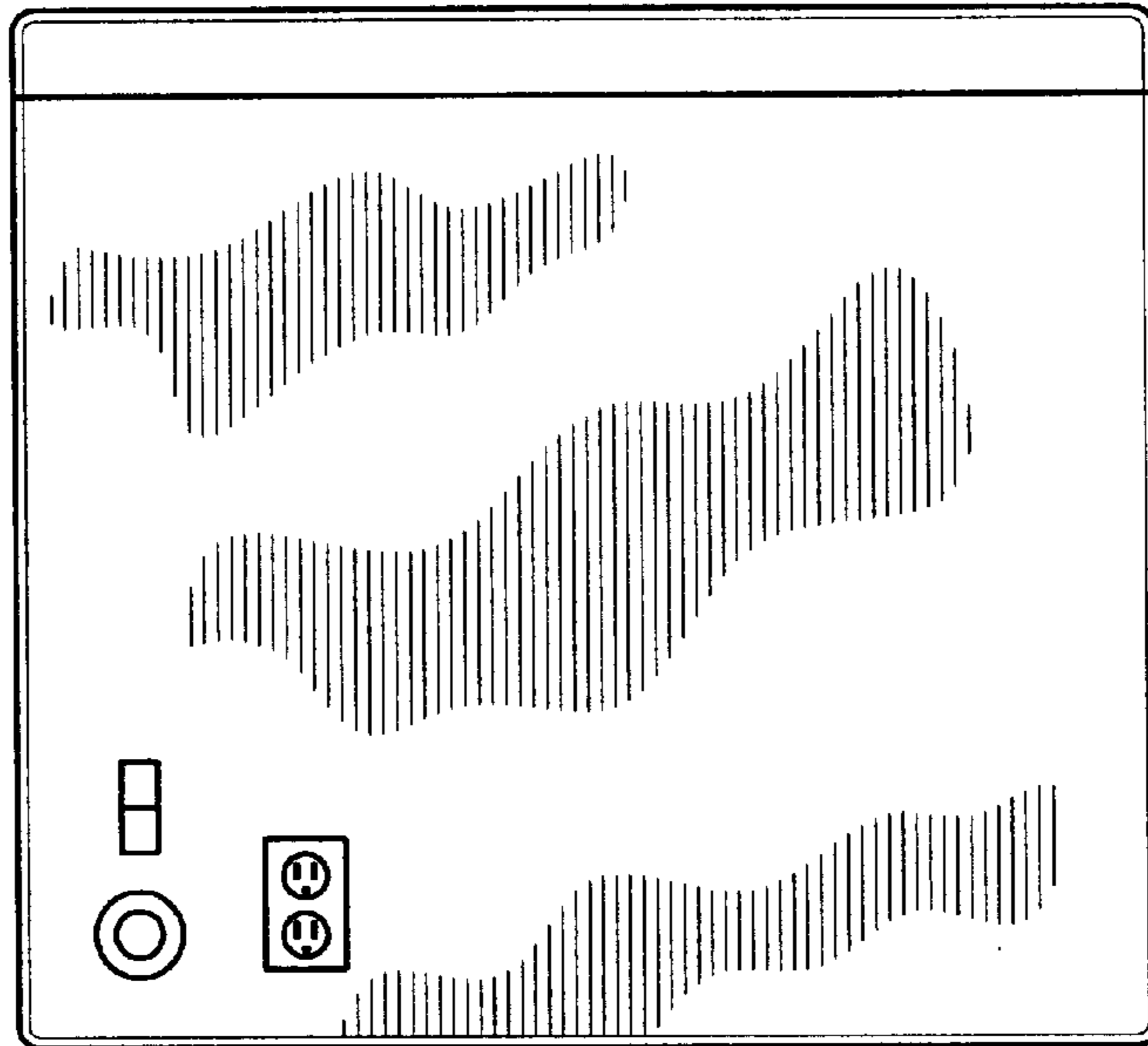


FIG.1

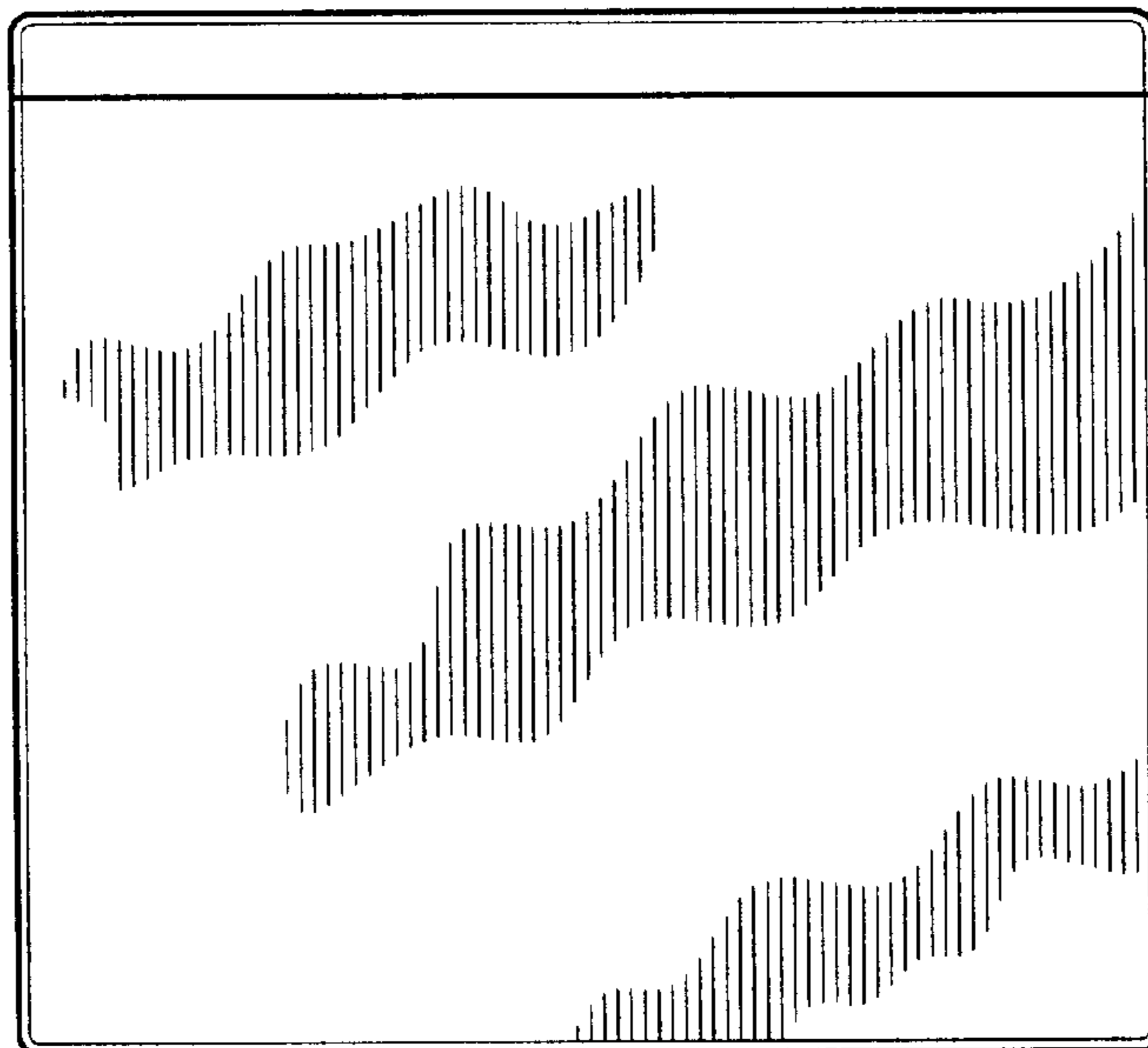


FIG.2

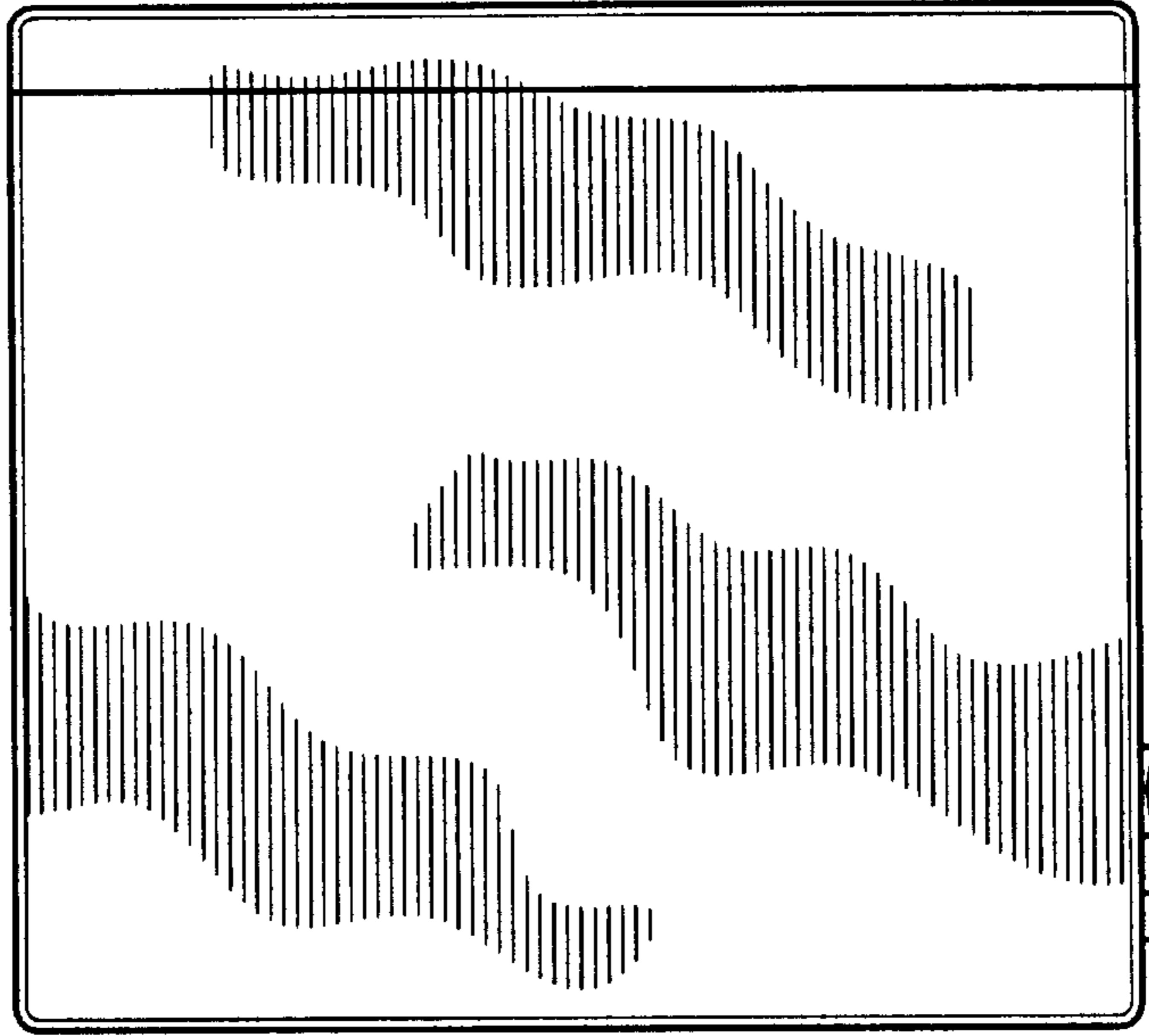


FIG. 3

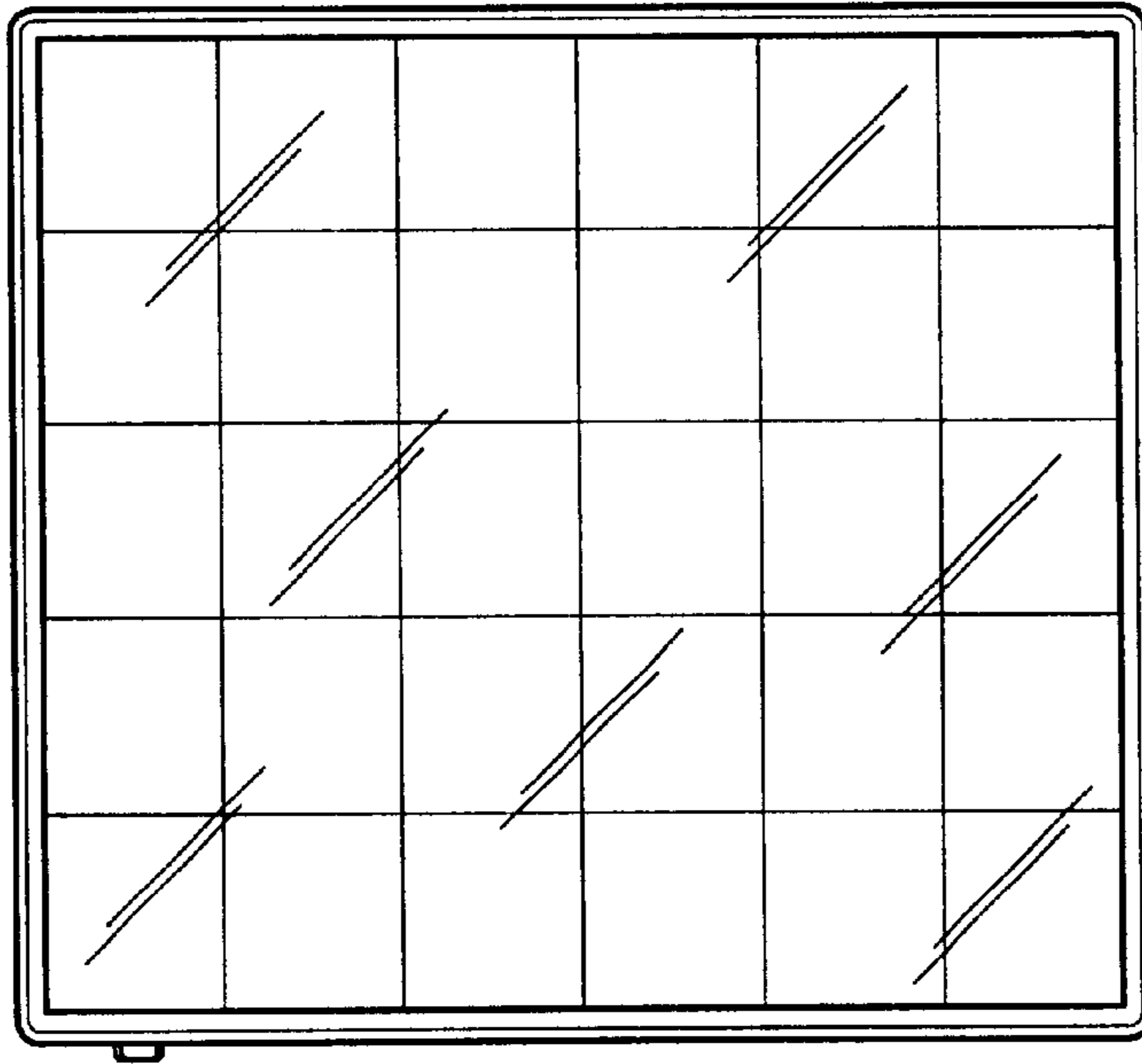


FIG. 4

FIG.5

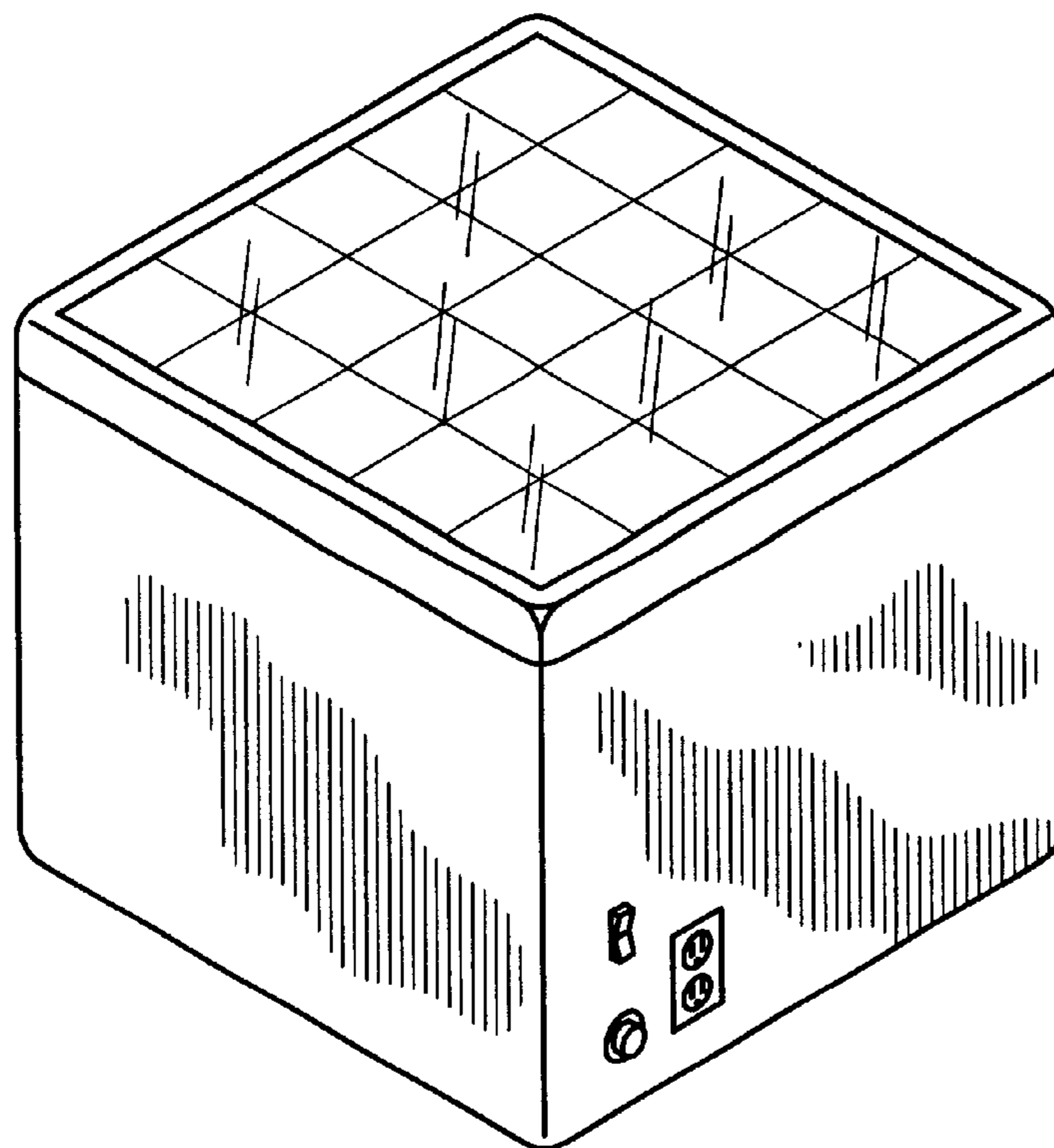
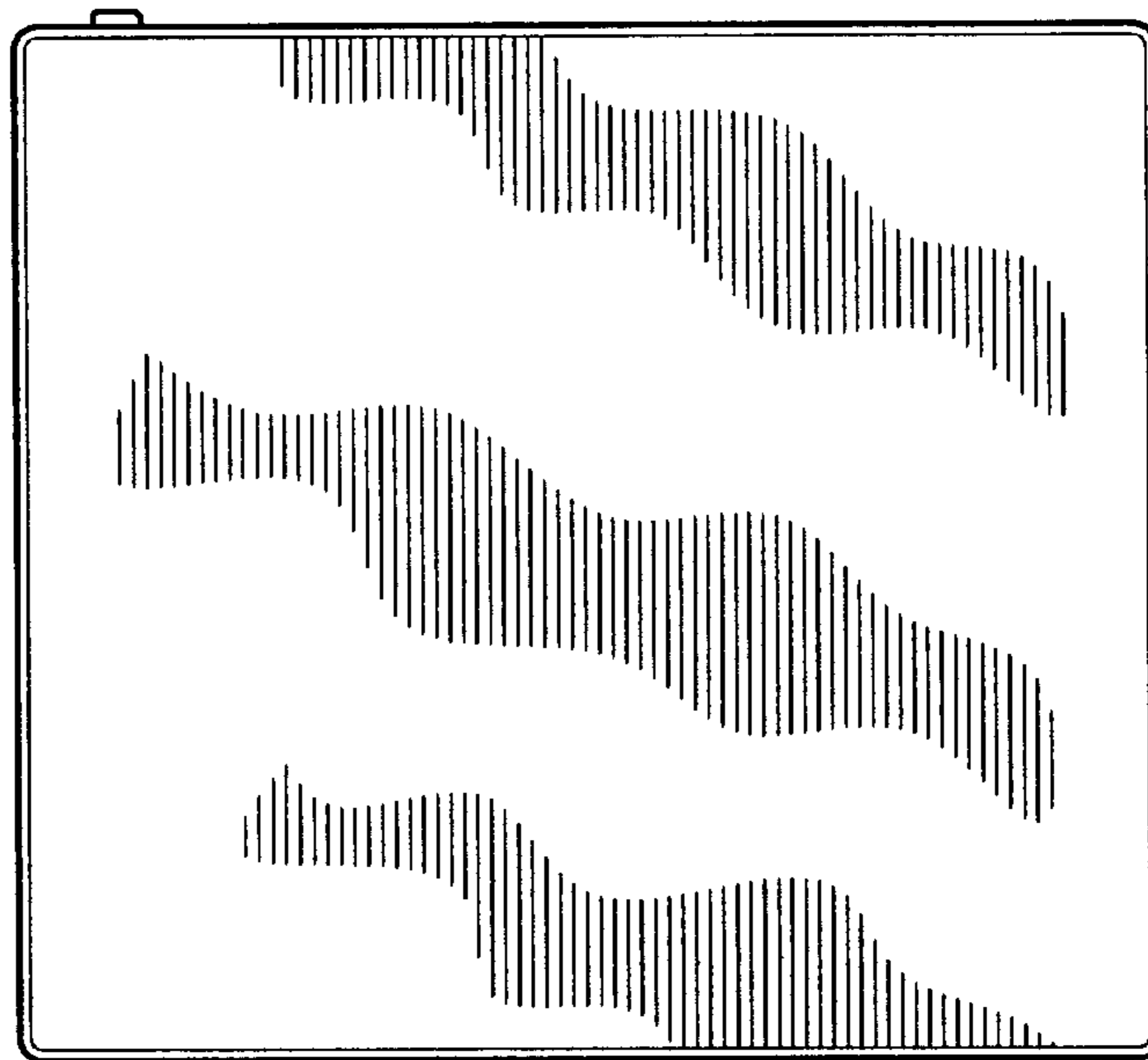


FIG.6