



US00D516500S

(12) **United States Design Patent**  
**Ogura**

(10) **Patent No.:** **US D516,500 S**  
(45) **Date of Patent:** **\*\* Mar. 7, 2006**

- (54) **PIEZO ELECTRIC RESONATOR**
- (75) Inventor: **Seiichiro Ogura**, Minowa-machi (JP)
- (73) Assignee: **Seiko Epson Corporation** (JP)
- (\*\*) Term: **14 Years**
- (21) Appl. No.: **29/197,364**
- (22) Filed: **Jan. 14, 2004**
- (30) **Foreign Application Priority Data**
  - Jul. 31, 2003 (JP) ..... 2003-022253
  - Jul. 31, 2003 (JP) ..... 2003-022254
- (51) **LOC (8) Cl.** ..... **13-02**
- (52) **U.S. Cl.** ..... **D13/101**
- (58) **Field of Classification Search** ..... D13/101,  
D13/118, 184, 199; 310/367, 368, 370; 333/187-192  
See application file for complete search history.

- (56) **References Cited**
  - U.S. PATENT DOCUMENTS**
  - 3,354,413 A \* 11/1967 Ko ..... 333/200
  - 3,697,766 A \* 10/1972 Ganter et al. .... 310/348
  - 4,742,260 A \* 5/1988 Shimizu et al. .... 310/323.16
  - 5,396,144 A \* 3/1995 Gupta et al. .... 310/370
  - 6,134,962 A \* 10/2000 Sugitani ..... 73/504.16
  - 6,177,756 B1 \* 1/2001 Yachi et al. .... 310/370
  - 6,262,520 B1 \* 7/2001 Knowles ..... 310/370
  - D493,417 S \* 7/2004 Moler et al. .... D13/101
  - 6,897,737 B2 \* 5/2005 Sakata et al. .... 331/156
  - 2001/0017505 A1 \* 8/2001 Aratake et al. .... 310/340
  - 2002/0166379 A1 \* 11/2002 Paros et al. .... 73/504.12

2004/0155561 A1 \* 8/2004 Tanaya et al. .... 310/370  
2005/0040737 A1 \* 2/2005 Tanaya ..... 310/370

\* cited by examiner

*Primary Examiner*—Prabhakar Deshmukh  
*Assistant Examiner*—Daniel Bui  
(74) *Attorney, Agent, or Firm*—Harness, Dickey & Pierce, P.L.C.

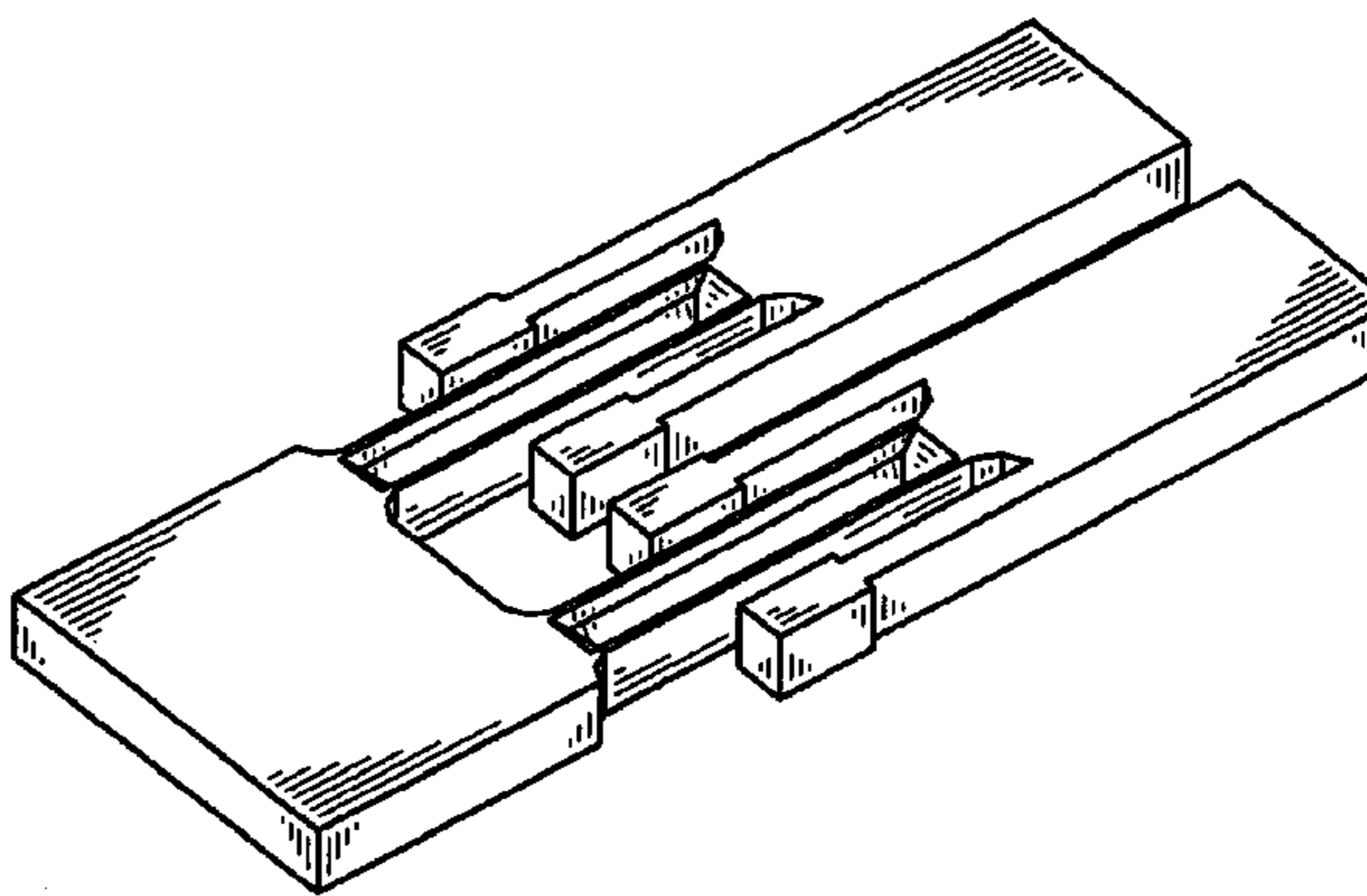
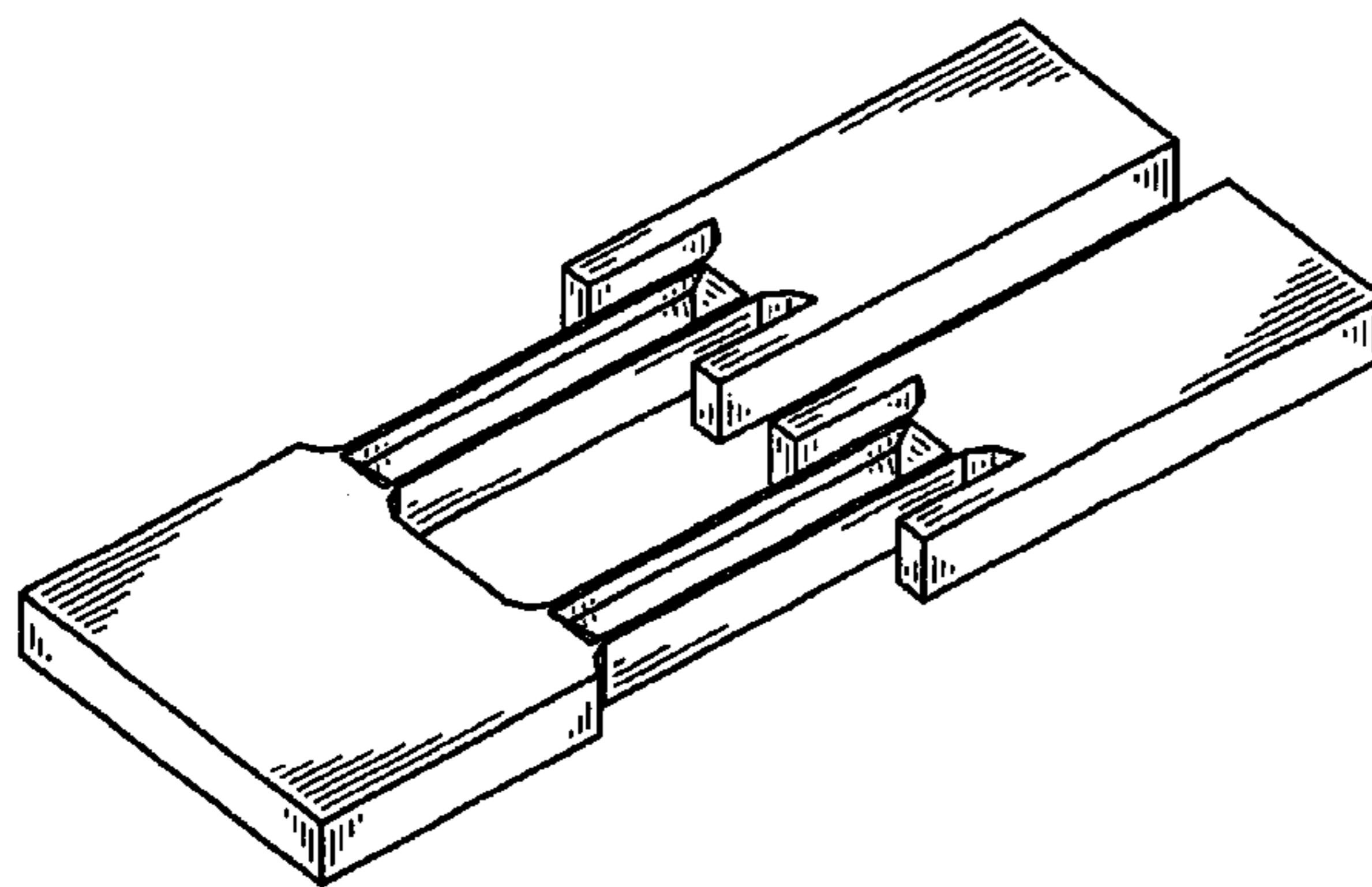
(57) **CLAIM**

The ornamental design for a piezo electric resonator, as shown and described.

**DESCRIPTION**

FIG. 1 is a top, left and front perspective view of the piezo electric resonator embodying my new design;  
FIG. 2 is a front view thereof;  
FIG. 3 is a rear view thereof;  
FIG. 4 is a left side view thereof;  
FIG. 5 is a right side view thereof;  
FIG. 6 is a top plan view thereof;  
FIG. 7 is a bottom plan view thereof;  
FIG. 8 is a top, left and front perspective view of a second embodiment of the piezo electric resonator embodying my new design;  
FIG. 9 is a front view thereof;  
FIG. 10 is a rear view thereof;  
FIG. 11 is a left side view thereof;  
FIG. 12 is a right side view thereof;  
FIG. 13 is a top plan view thereof; and,  
FIG. 14 is a bottom plan view thereof.

**1 Claim, 6 Drawing Sheets**



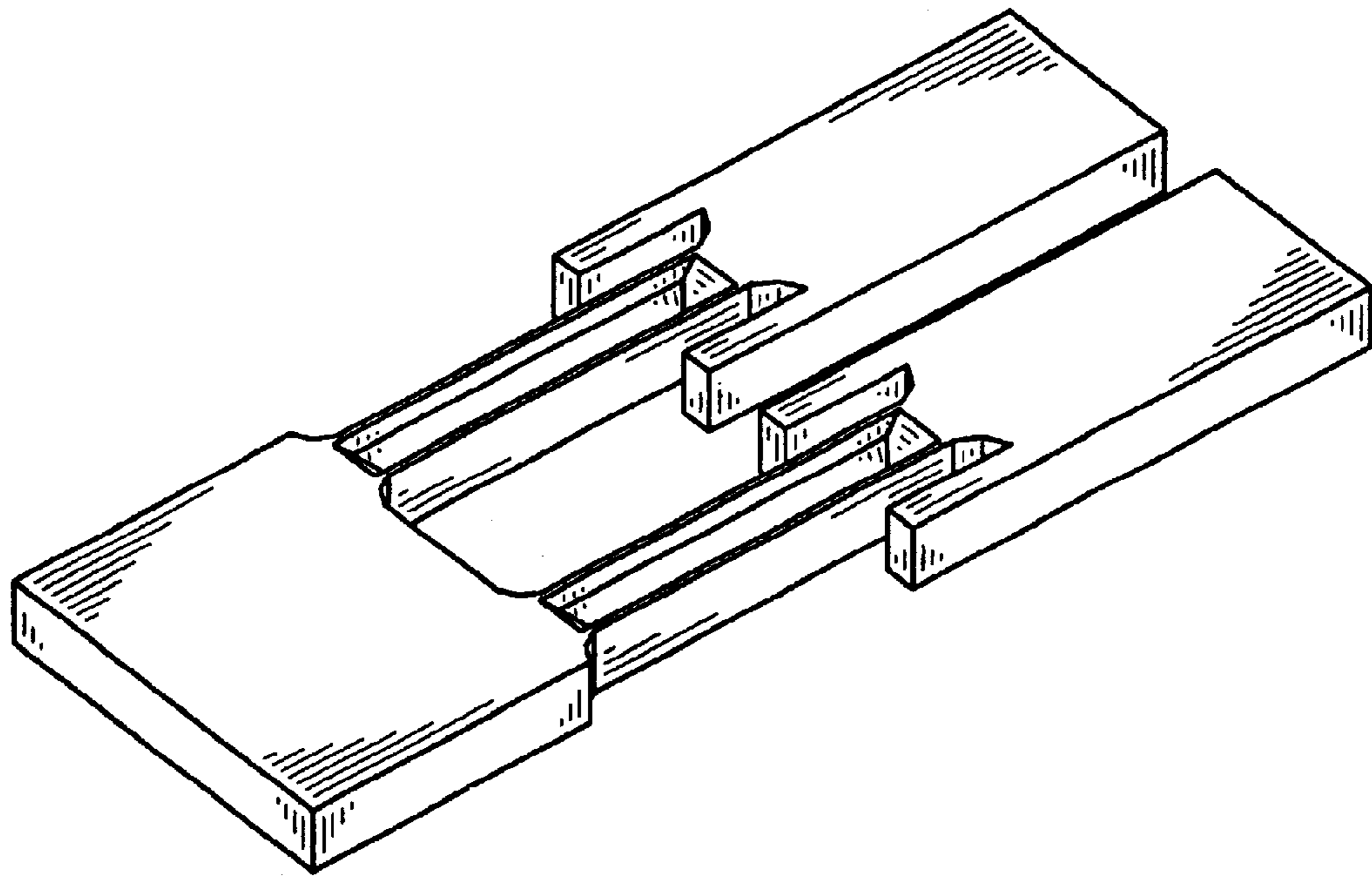


FIG. 1

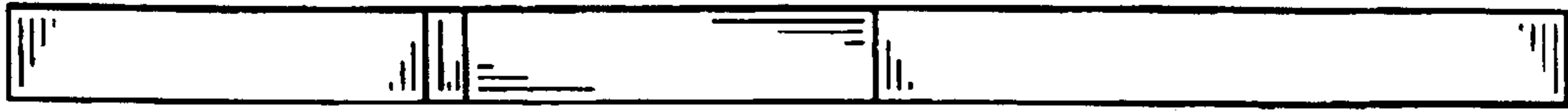


FIG. 2

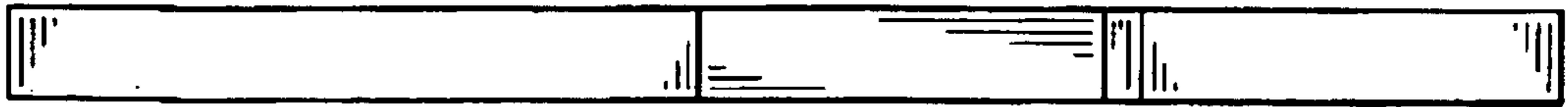


FIG. 3



FIG. 4



FIG. 5

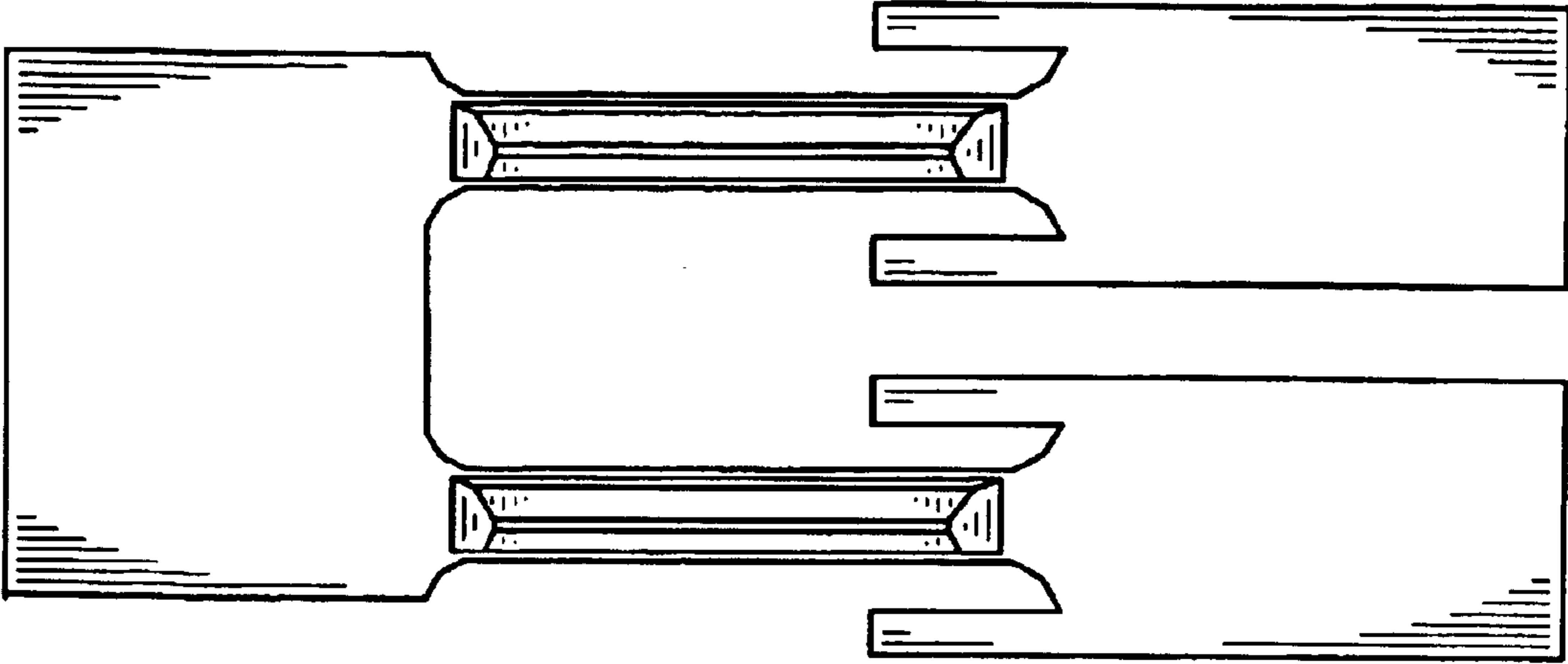


FIG. 6

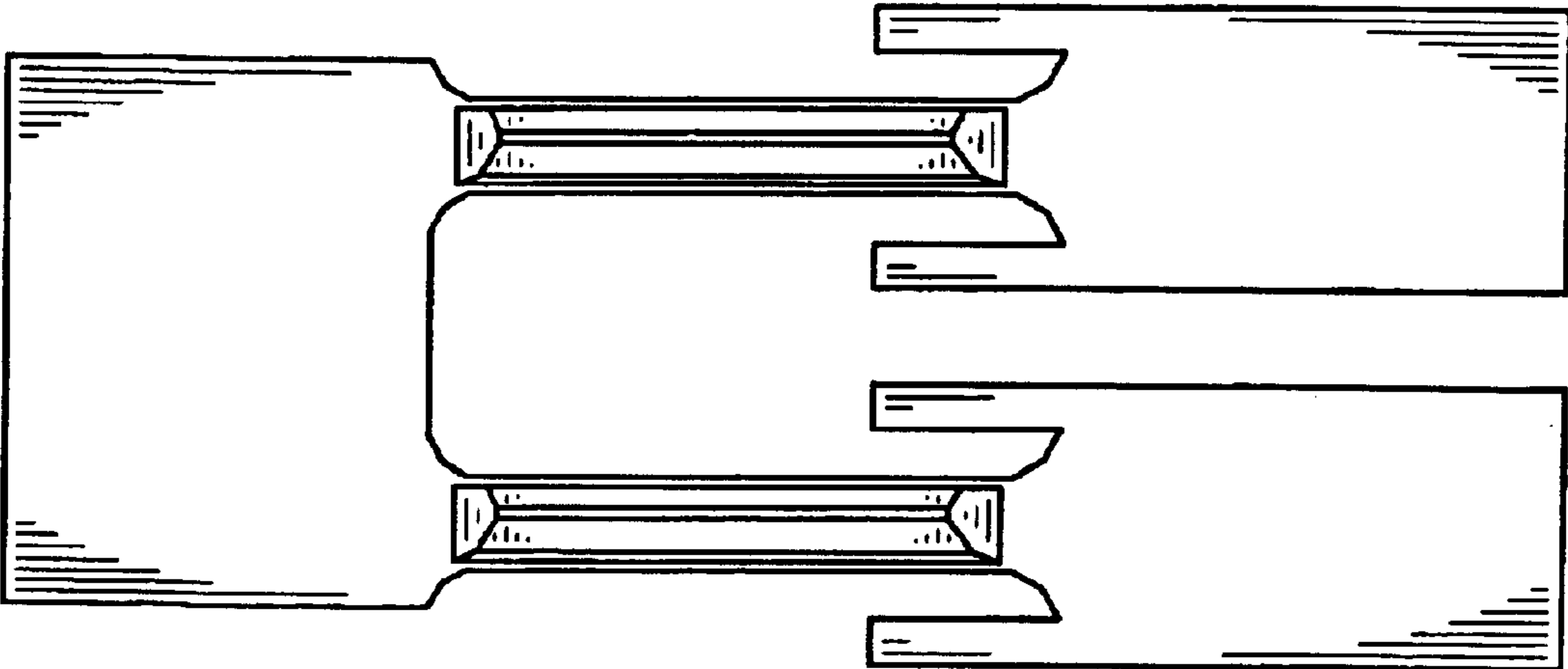


FIG. 7

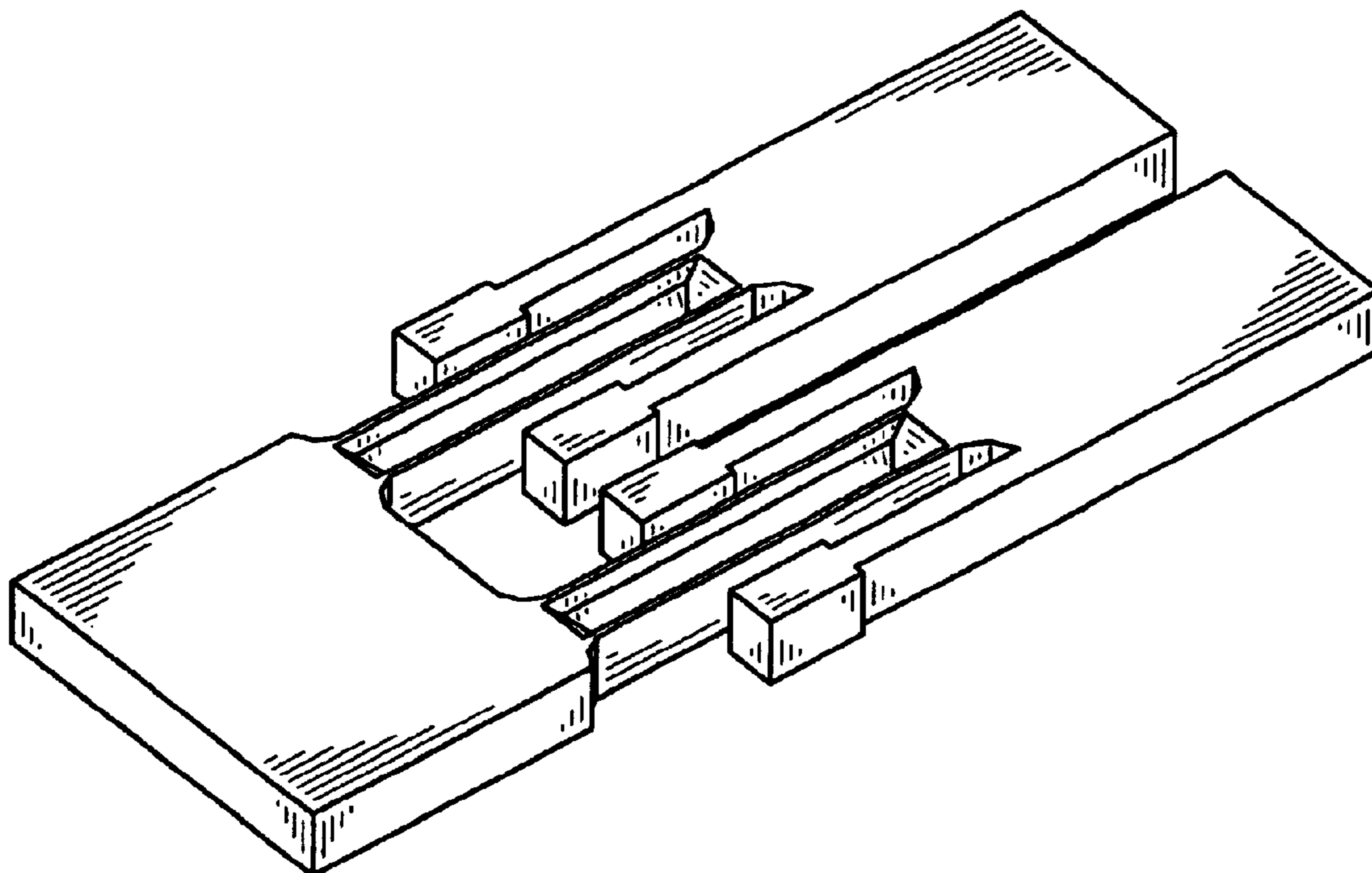


FIG. 8



FIG. 9



FIG. 10



FIG. 11



FIG. 12

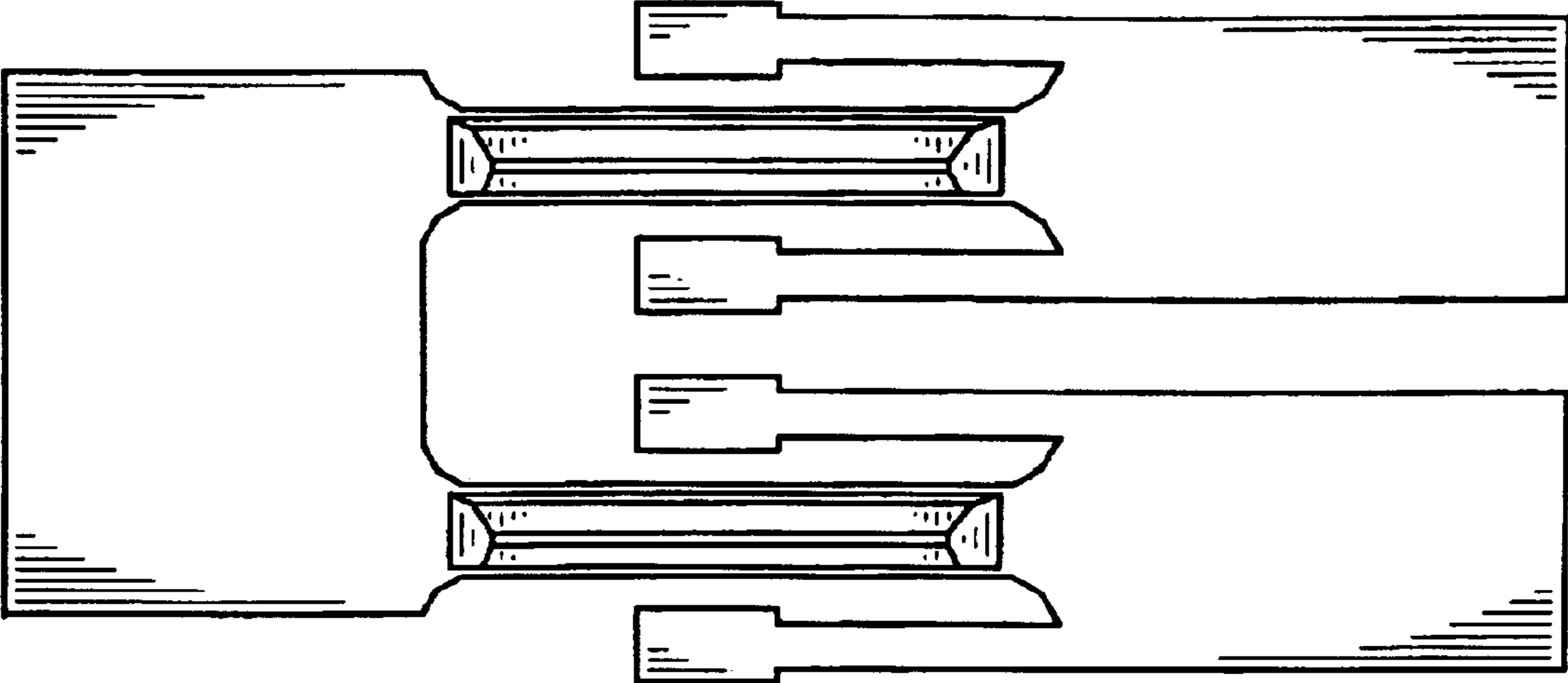


FIG. 13

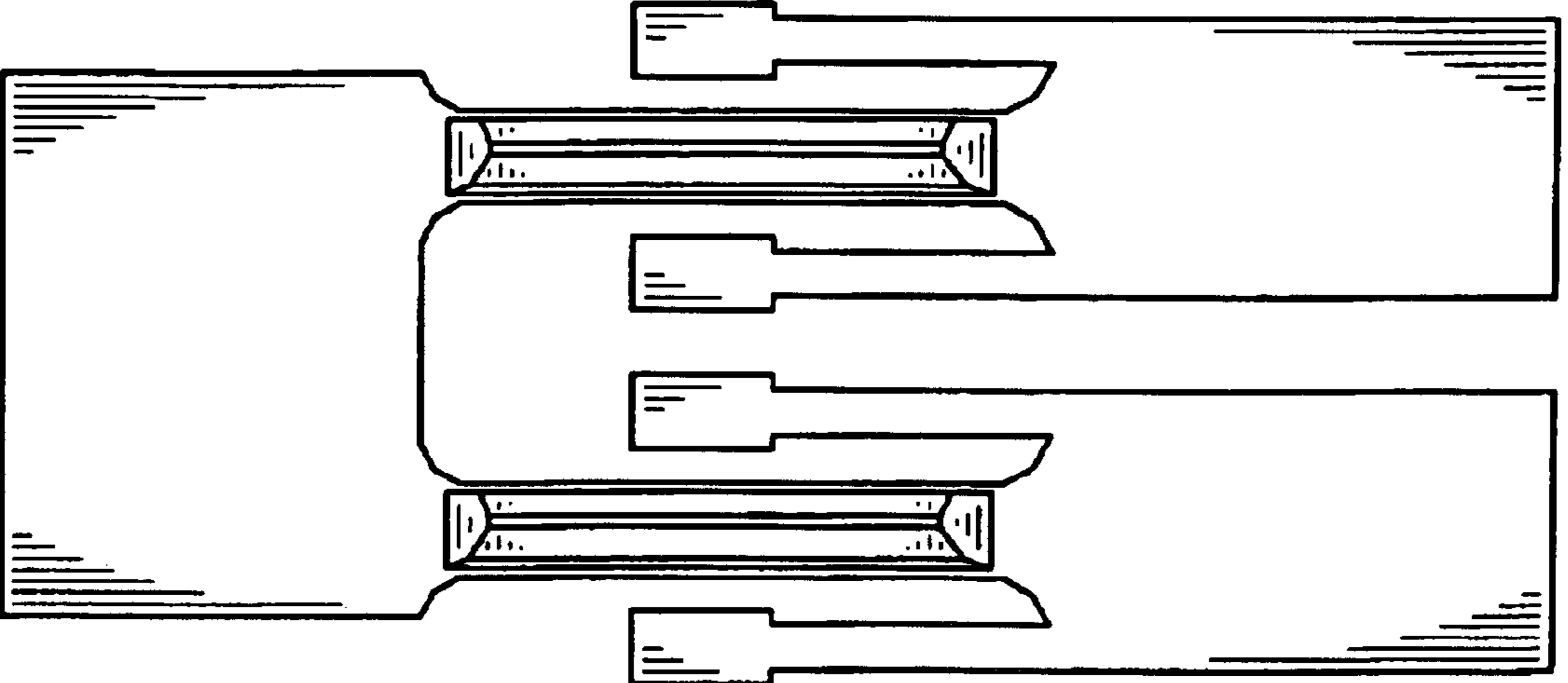


FIG. 14