

US00D516495S

(12) **United States Design Patent**  
**Menne**

(10) **Patent No.:** **US D516,495 S**

(45) **Date of Patent:** **\*\* Mar. 7, 2006**

(54) **DECK BOAT**

(75) **Inventor:** **Thomas J. Menne**, Center City, MN  
(US)

(73) **Assignee:** **Premier Marine, Inc.**, Wyoming, MN  
(US)

(\*\*) **Term:** **14 Years**

(21) **Appl. No.:** **29/195,373**

(22) **Filed:** **Dec. 9, 2003**

(51) **LOC (8) Cl.** ..... **12-06**

(52) **U.S. Cl.** ..... **D12/300**

(58) **Field of Classification Search** ..... D12/300,  
D12/304, 318, 316; 114/60, 61.1, 292, 343,  
114/363, 364; D21/542

See application file for complete search history.

(56) **References Cited**

**U.S. PATENT DOCUMENTS**

D206,505 S \* 12/1966 Schindler ..... D12/316

D315,138 S \* 3/1991 Simpkins et al. .... D12/304  
5,105,755 A \* 4/1992 Davidson ..... 114/343  
D331,564 S \* 12/1992 Scarboro ..... D12/318  
5,355,828 A \* 10/1994 Pepper ..... 114/355

\* cited by examiner

*Primary Examiner*—Holly Baynham

*Assistant Examiner*—Cynthia M. Chin

(74) *Attorney, Agent, or Firm*—Hugh D. Jaeger, Esq.

(57) **CLAIM**

The ornamental design for a deck boat, as shown.

**DESCRIPTION**

FIG. 1 is a front view thereof;

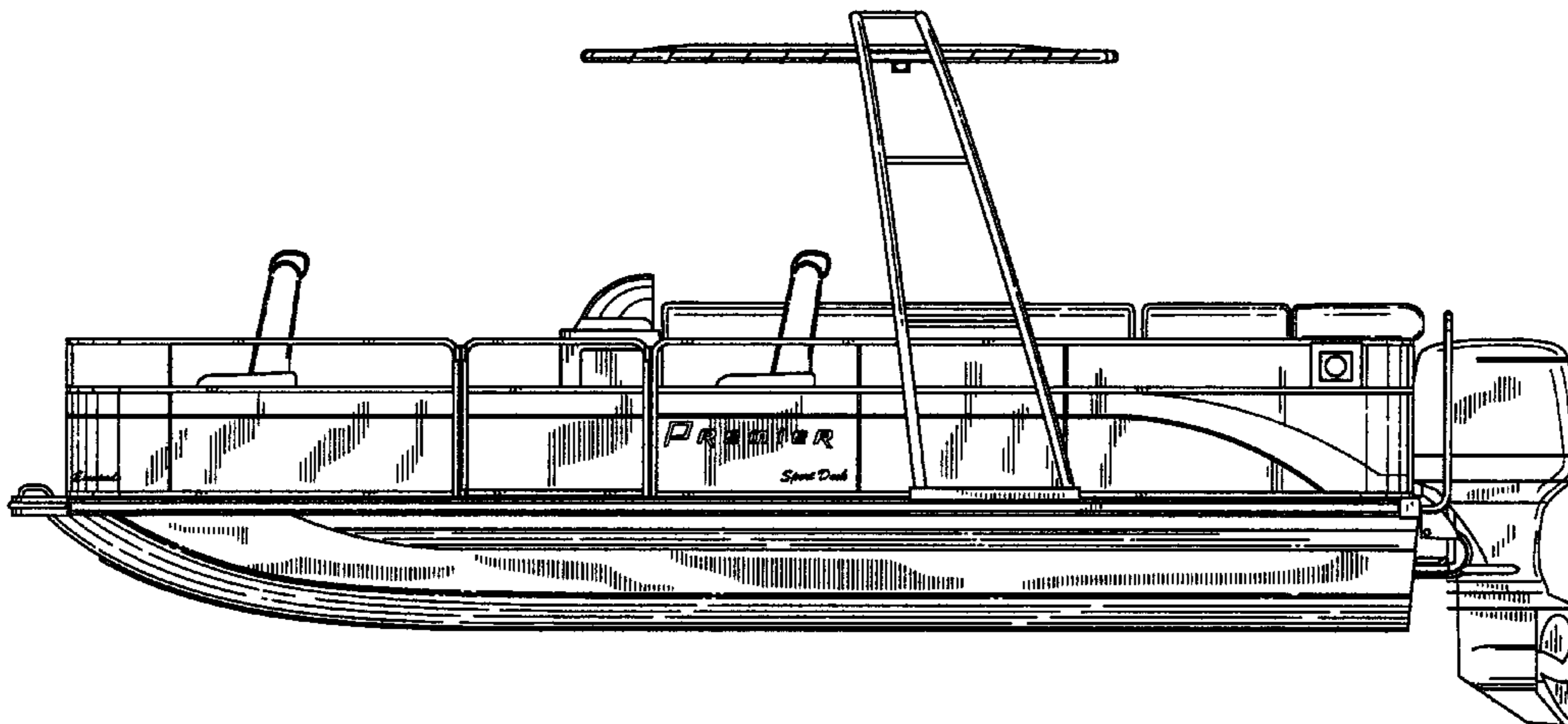
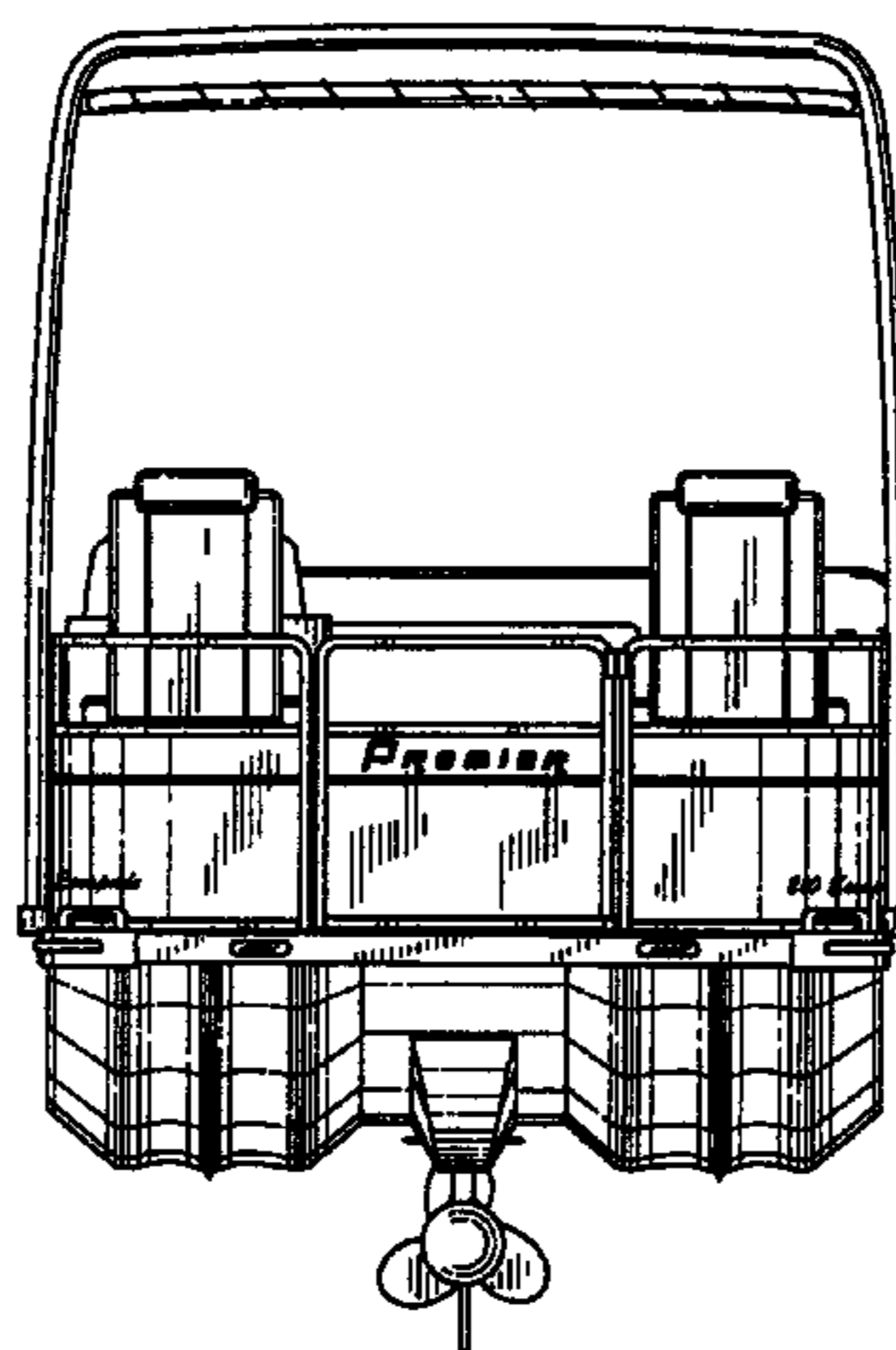
FIG. 2 is a rear view thereof;

FIG. 3 is a left side view thereof;

FIG. 4 is a right side view thereof; and,

FIG. 5 is a bottom view.

**1 Claim, 5 Drawing Sheets**



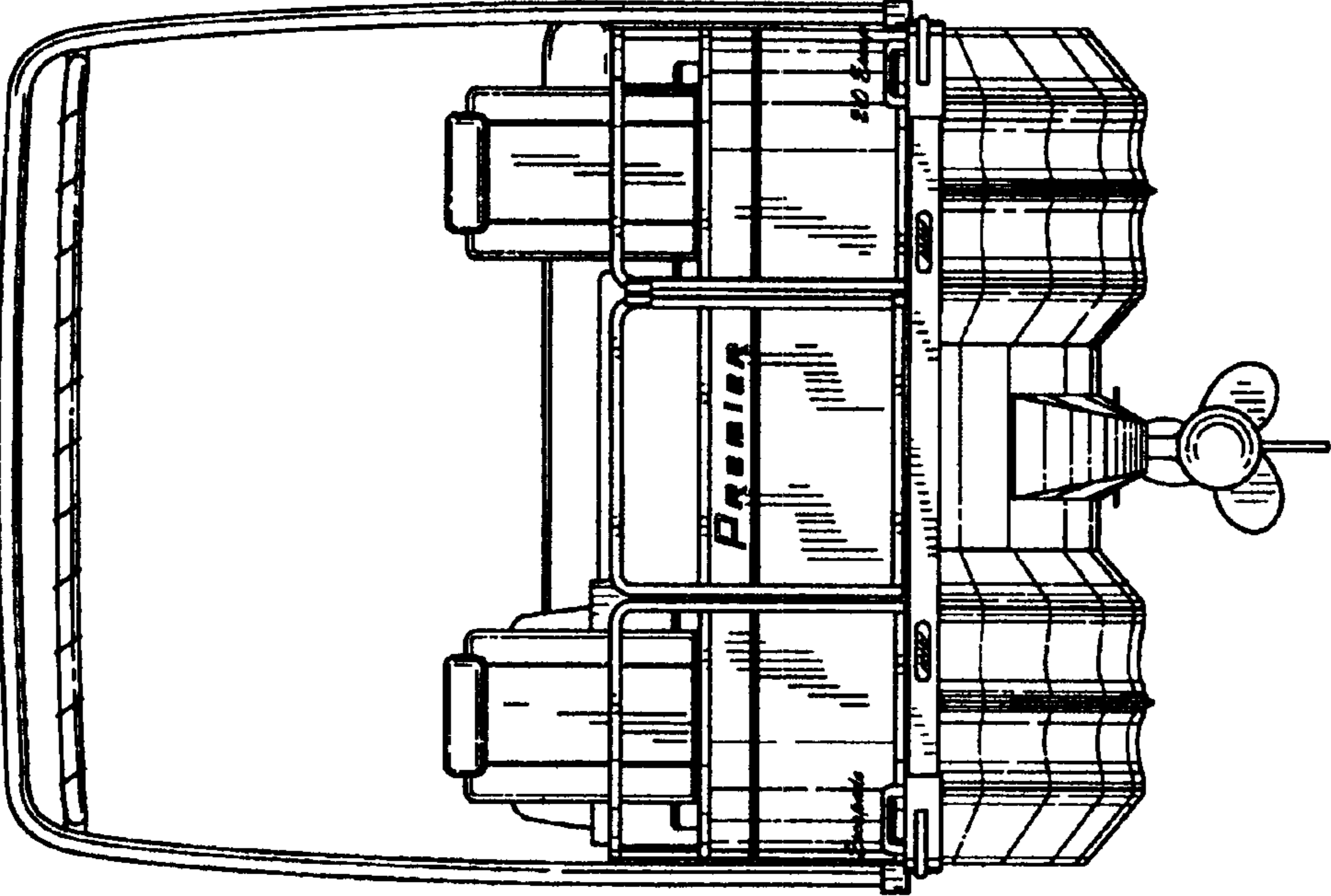


FIG. 1

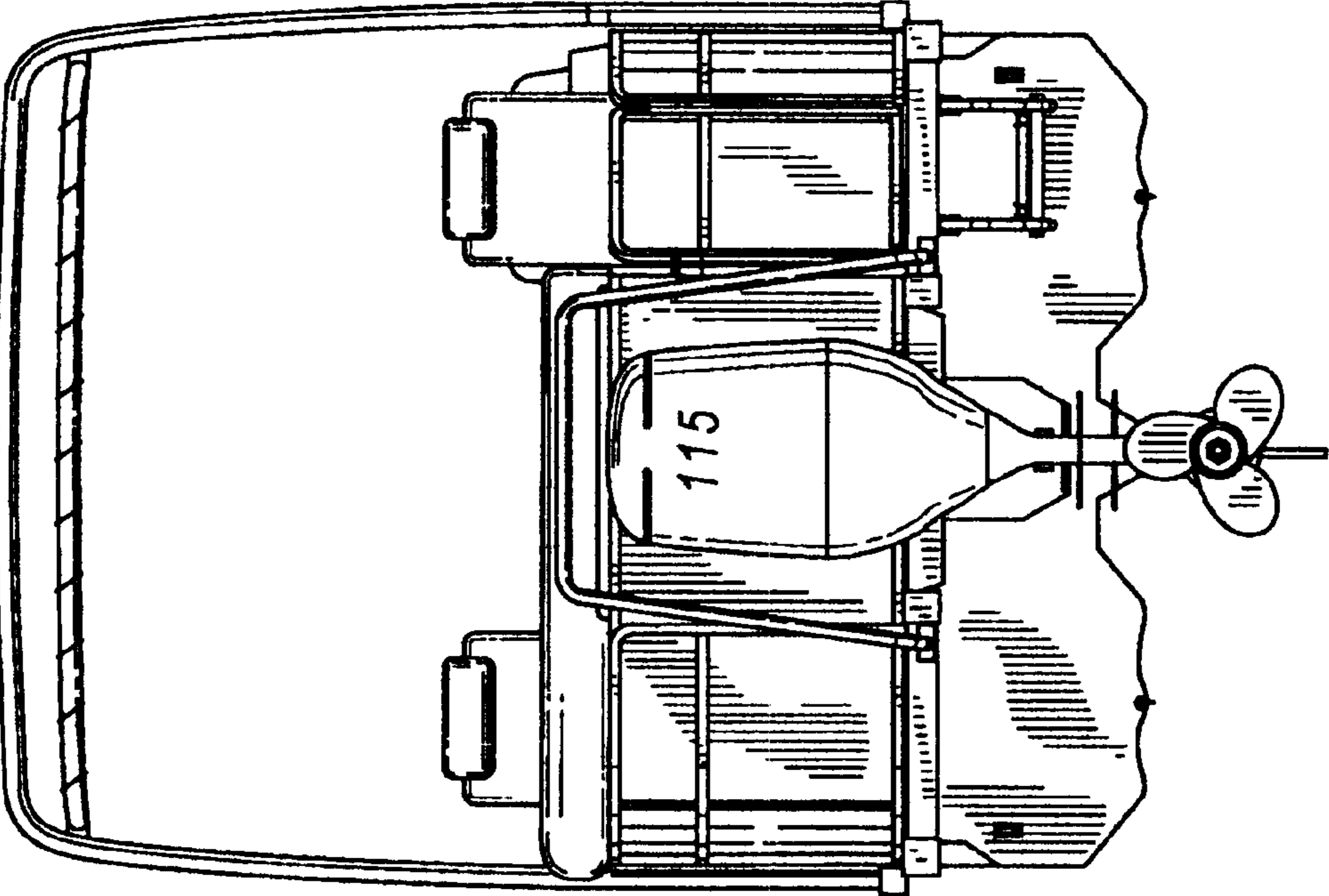


FIG. 2

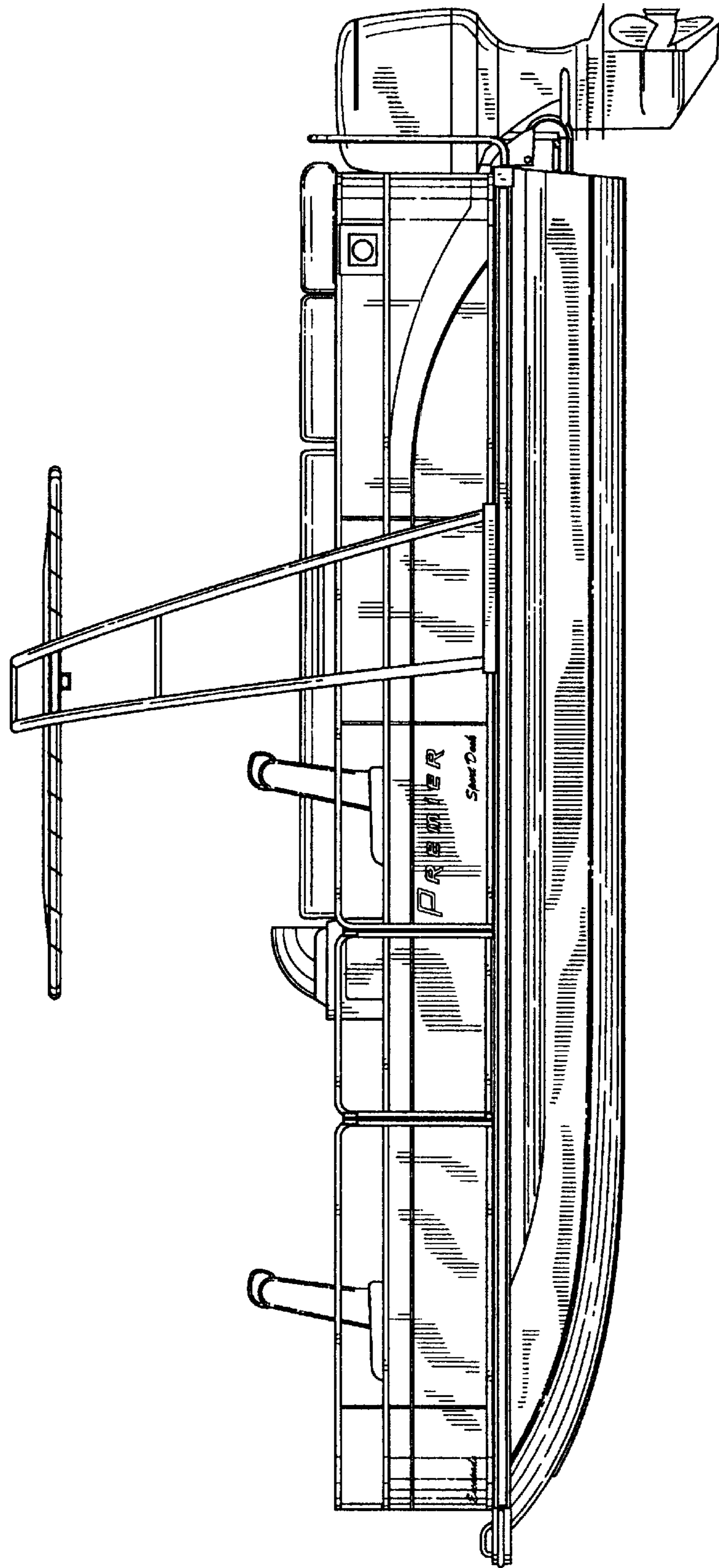


FIG. 3

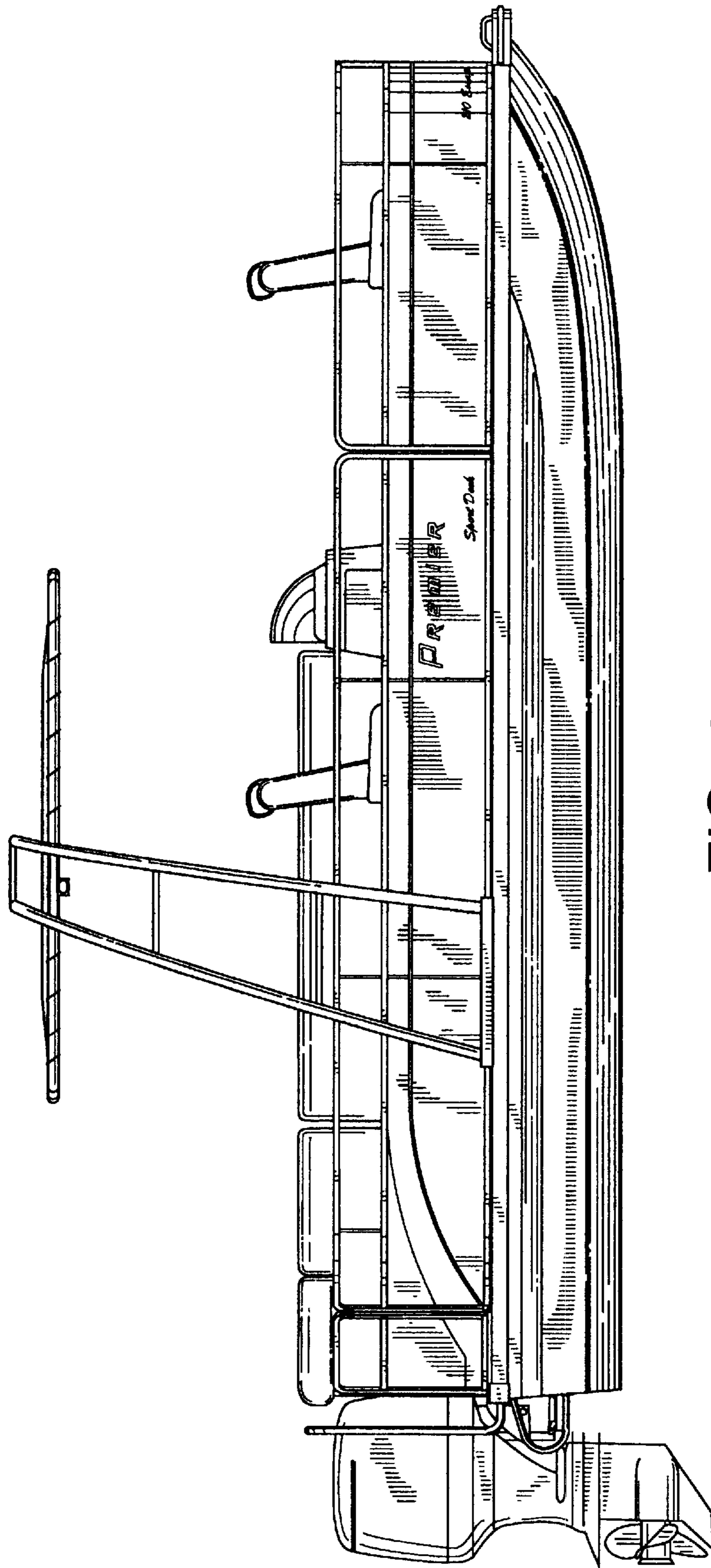


FIG. 4

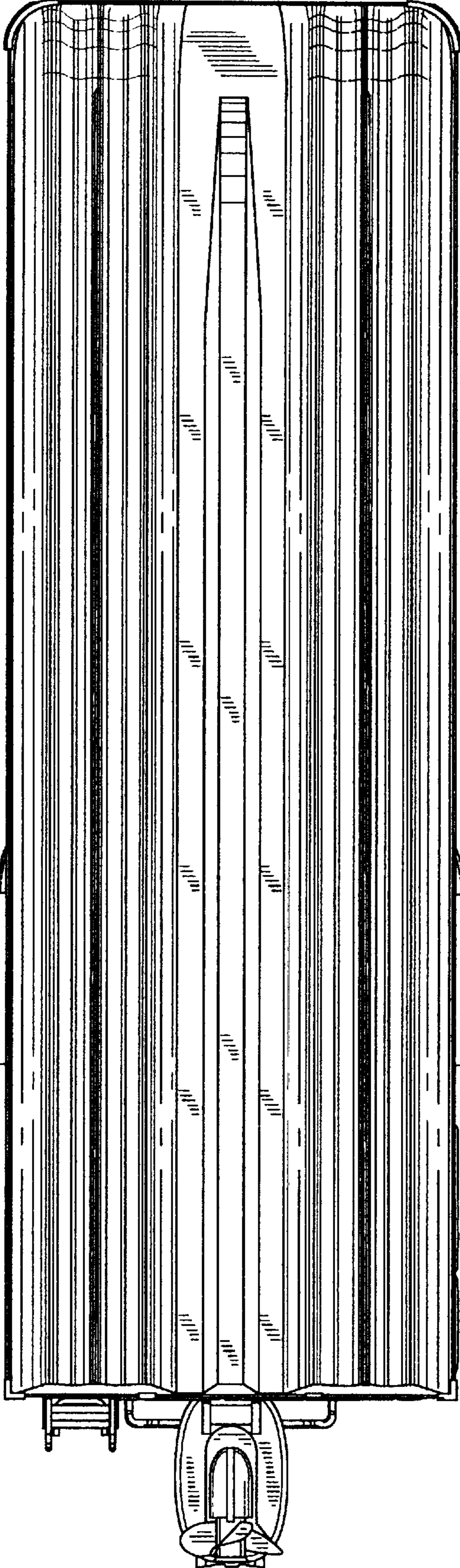


FIG. 5