



US00D516494S

(12) **United States Design Patent**  
**Apodaca et al.**

(10) **Patent No.:** **US D516,494 S**  
(45) **Date of Patent:** **\*\* Mar. 7, 2006**

(54) **WHEEL SHIELD FOR TIRE DETAILING**

(76) Inventors: **William A. Apodaca**, 1434 Carly Ct.,  
San Diego, CA (US) 92114; **Louis**  
**Apodaca**, 1744 Yale St., Chula Vista,  
CA (US) 91913

(\*\*) Term: **14 Years**

(21) Appl. No.: **29/205,397**

(22) Filed: **May 13, 2004**

(51) **LOC (8) Cl.** ..... **12-16**

(52) **U.S. Cl.** ..... **D12/213**

(58) **Field of Classification Search** ..... D12/213;  
D9/452-454; D7/391-392.1; 301/37.101,  
301/37.103, 37.42, 37.104; 118/504, 505;  
D8/315, DIG. 1

See application file for complete search history.

(56) **References Cited**

**U.S. PATENT DOCUMENTS**

D337,090 S	*	7/1993	Wilfong, III	.....	D12/213
D371,337 S	*	7/1996	Williams	.....	D12/213
D379,171 S	*	5/1997	Hope et al.	.....	D12/213
D387,725 S	*	12/1997	Cochran et al.	.....	D12/213
D434,714 S	*	12/2000	White	.....	D12/213

D438,835 S	*	3/2001	Maschino	.....	D12/213
6,412,878 B1	*	7/2002	Bell et al.	.....	301/37.104
D477,802 S	*	7/2003	Williams	.....	D12/213
D479,179 S	*	9/2003	Lian	.....	D12/213
D491,874 S	*	6/2004	Cook	.....	D12/213
D504,652 S	*	5/2005	Woodberry	.....	D12/213

\* cited by examiner

*Primary Examiner*—Stacia Cadmus

(74) *Attorney, Agent, or Firm*—Richard D. Clarke

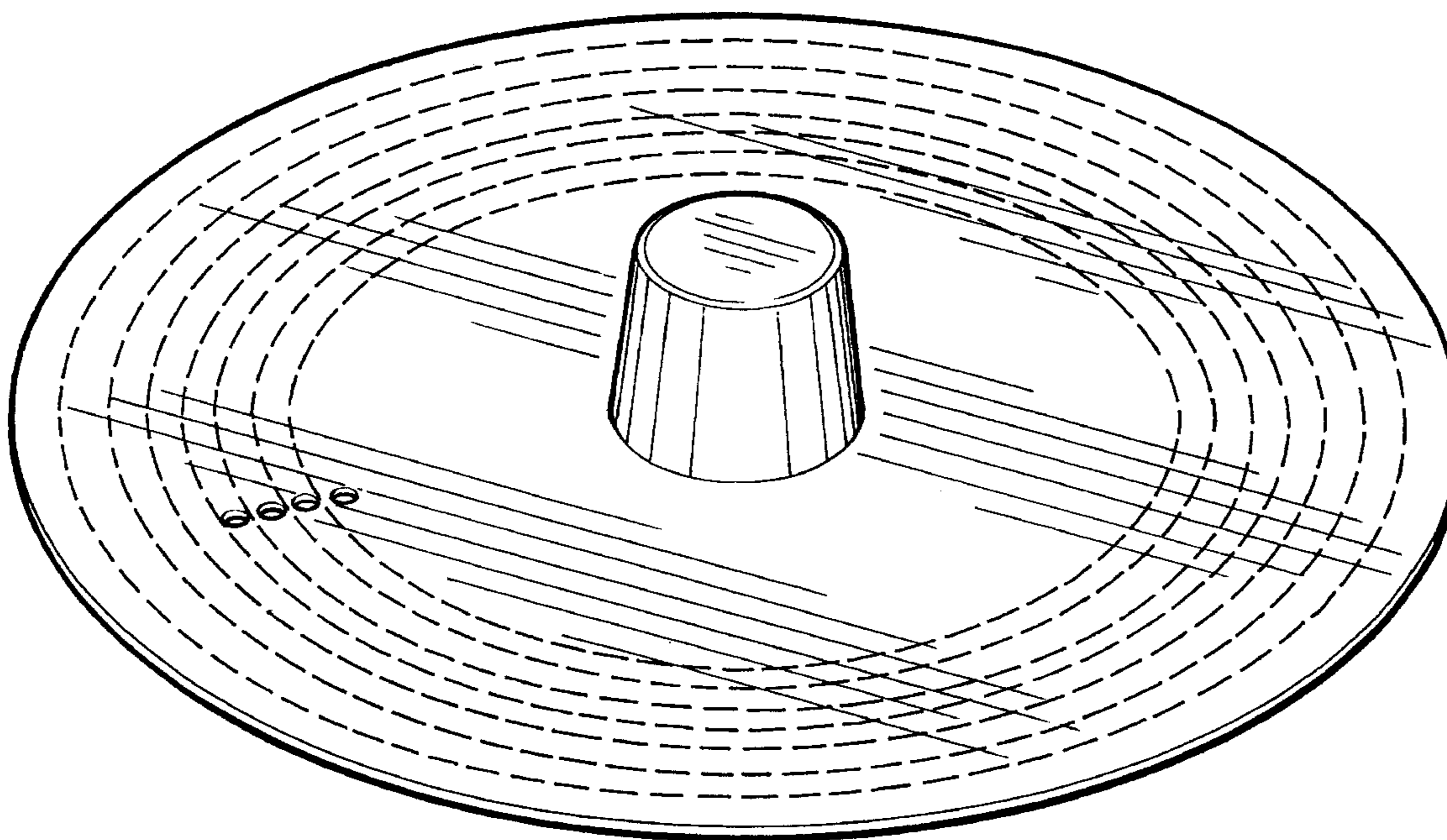
(57) **CLAIM**

We claim the ornamental design for a wheel shield for tire detailing, as shown and described.

**DESCRIPTION**

FIG. 1 is a top and side elevational perspective view of a wheel shield for tire detailing;  
FIG. 2 is a side elevational view of a wheel shield for tire detailing, for which the opposite side view is an identical image of same;  
FIG. 3 is a top view of a wheel shield for tire detailing; and,  
FIG. 4 is a bottom view of a wheel shield for tire detailing.  
The seven circular rows of broken lines in FIGS. 1, 3 and 4 and represent perforations or tear lines.  
The wheel shield is shown on a reduced scale in FIGS. 2-4.

**1 Claim, 2 Drawing Sheets**



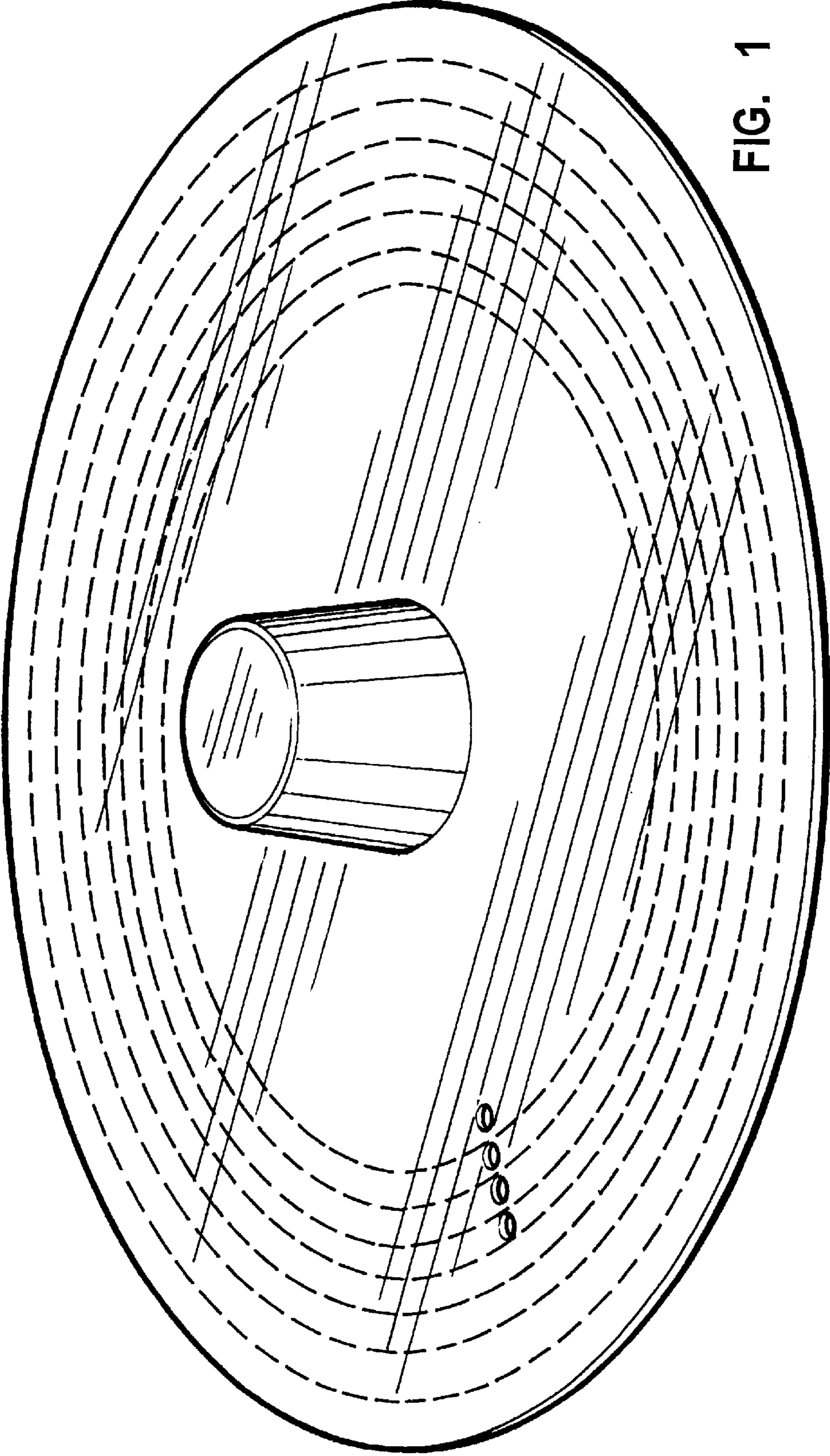


FIG. 1

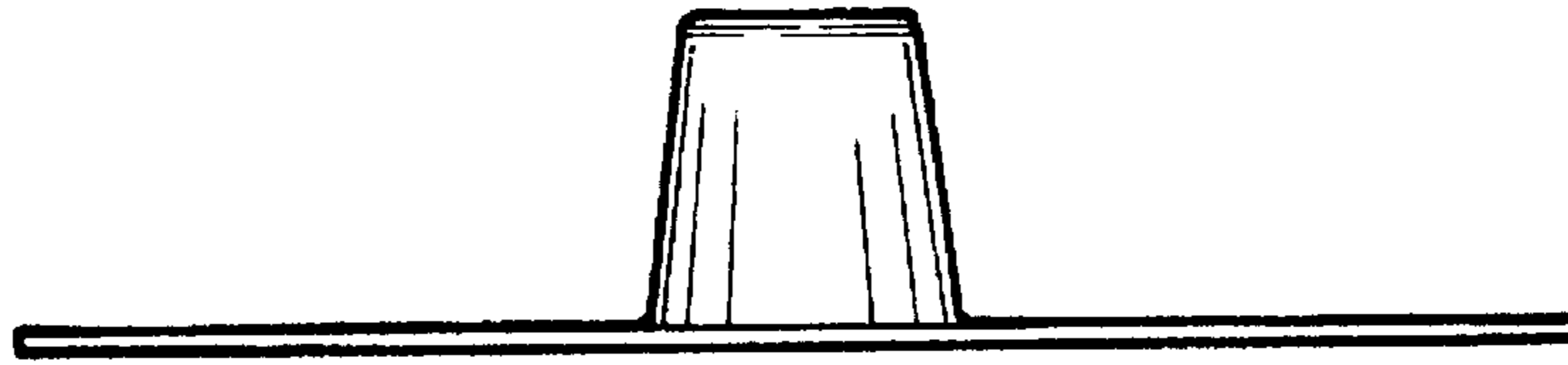


FIG. 2

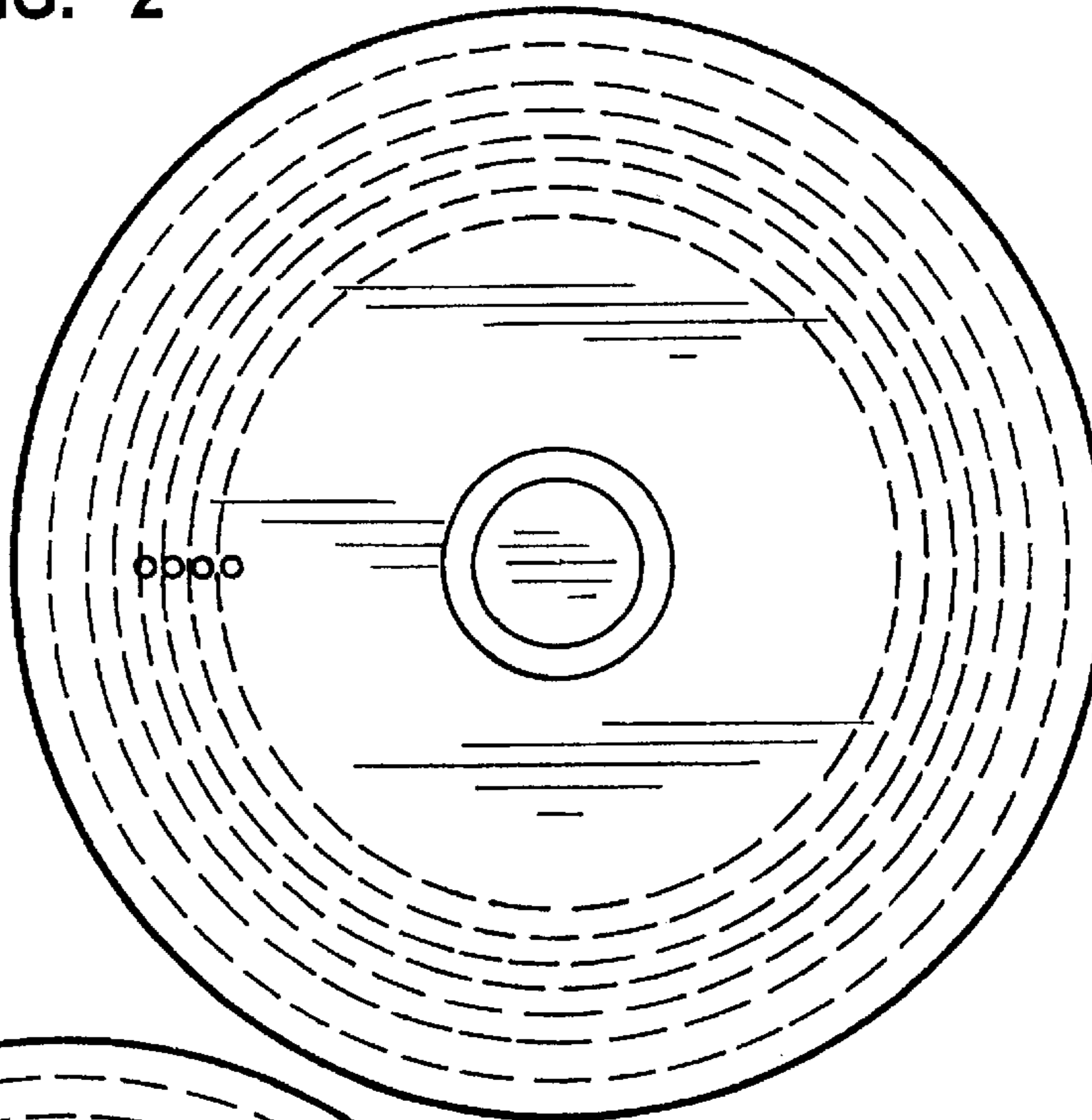


FIG. 3

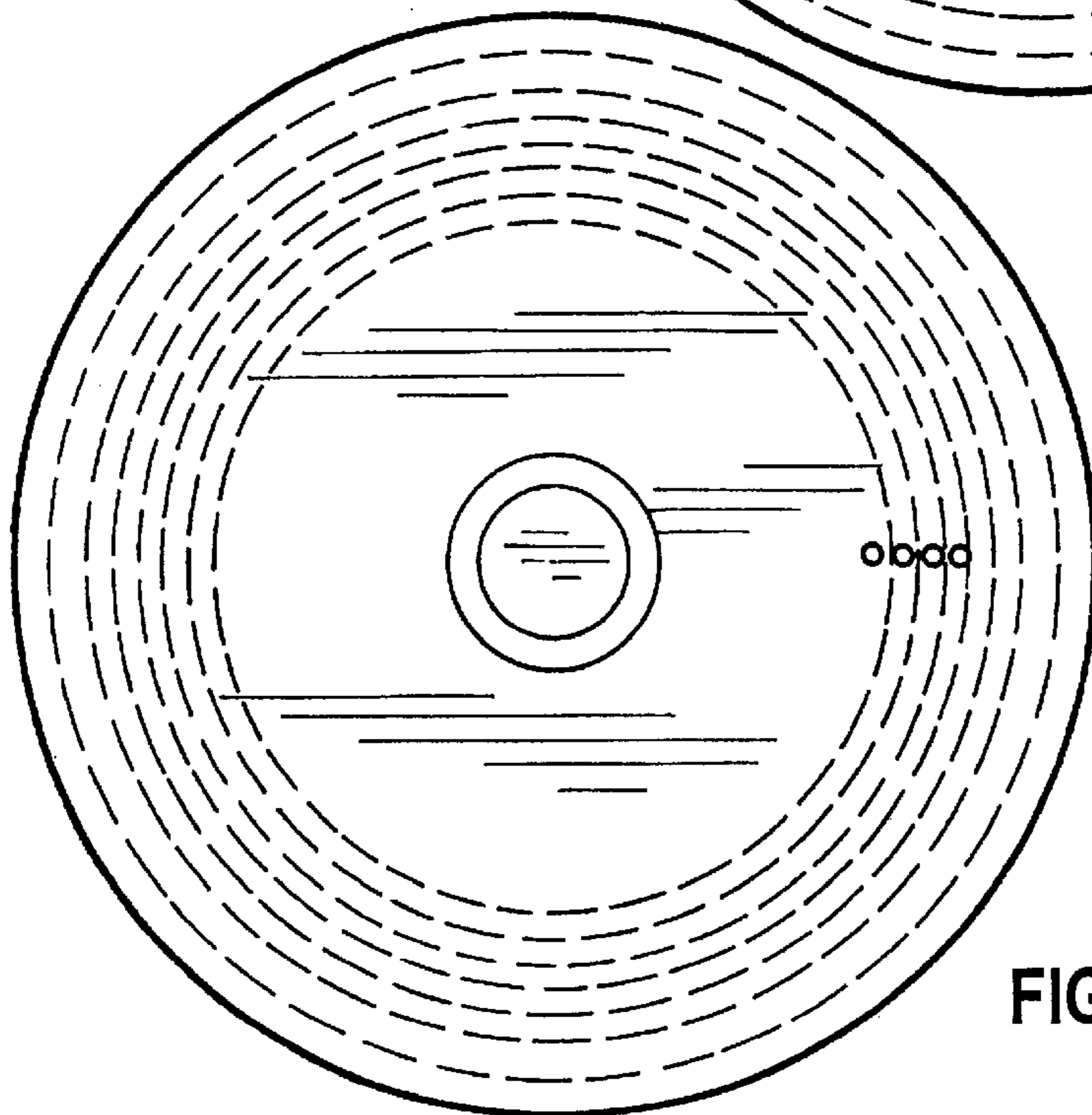


FIG. 4