



US00D516493S

(12) **United States Design Patent**
Frizzi

(10) **Patent No.:** **US D516,493 S**
(45) **Date of Patent:** **** Mar. 7, 2006**

(54) **FRONT FACE OF A VEHICLE WHEEL**

(75) **Inventor:** **Roberto Frizzi, Brescia (IT)**

(73) **Assignee:** **Bayerische Motoren Werke
Aktiengesellschaft, Munich (DE)**

(**) **Term:** **14 Years**

(21) **Appl. No.:** **29/228,648**

(22) **Filed:** **Apr. 27, 2005**

(30) **Foreign Application Priority Data**

Oct. 28, 2004 (DE) 4 04 06 173

(51) **LOC (8) Cl.** **12-16**

(52) **U.S. Cl.** **D12/211**

(58) **Field of Classification Search** D12/204-213;
301/37.101, 64.101, 65

See application file for complete search history.

(56) **References Cited**

U.S. PATENT DOCUMENTS

D406,807 S	*	3/1999	Shikado	D12/211
D436,911 S	*	1/2001	Chung	D12/211
D441,339 S	*	5/2001	Hussaini et al.	D12/211
D445,753 S	*	7/2001	Neeper	D12/211
D457,119 S	*	5/2002	Braun et al.	D12/211

D464,009 S	*	10/2002	Laengerer	D12/211
D473,836 S	*	4/2003	Laengerer	D12/211
D477,556 S	*	7/2003	Koch	D12/211
D482,309 S	*	11/2003	Sulahian	D12/211
D487,569 S	*	3/2004	Laengerer	D12/211
D502,679 S	*	3/2005	Boyer	D12/211
D504,101 S	*	4/2005	Pfeiffer	D12/211
D504,382 S	*	4/2005	Elmitt	D12/211
D506,967 S	*	7/2005	Kamimura	D12/211
D508,007 S	*	8/2005	Koch	D12/211

* cited by examiner

Primary Examiner—Stacia Cadmus

(74) *Attorney, Agent, or Firm*—Crowell & Moring LLP

(57) **CLAIM**

The ornamental design for a front face of a vehicle wheel, as shown and described.

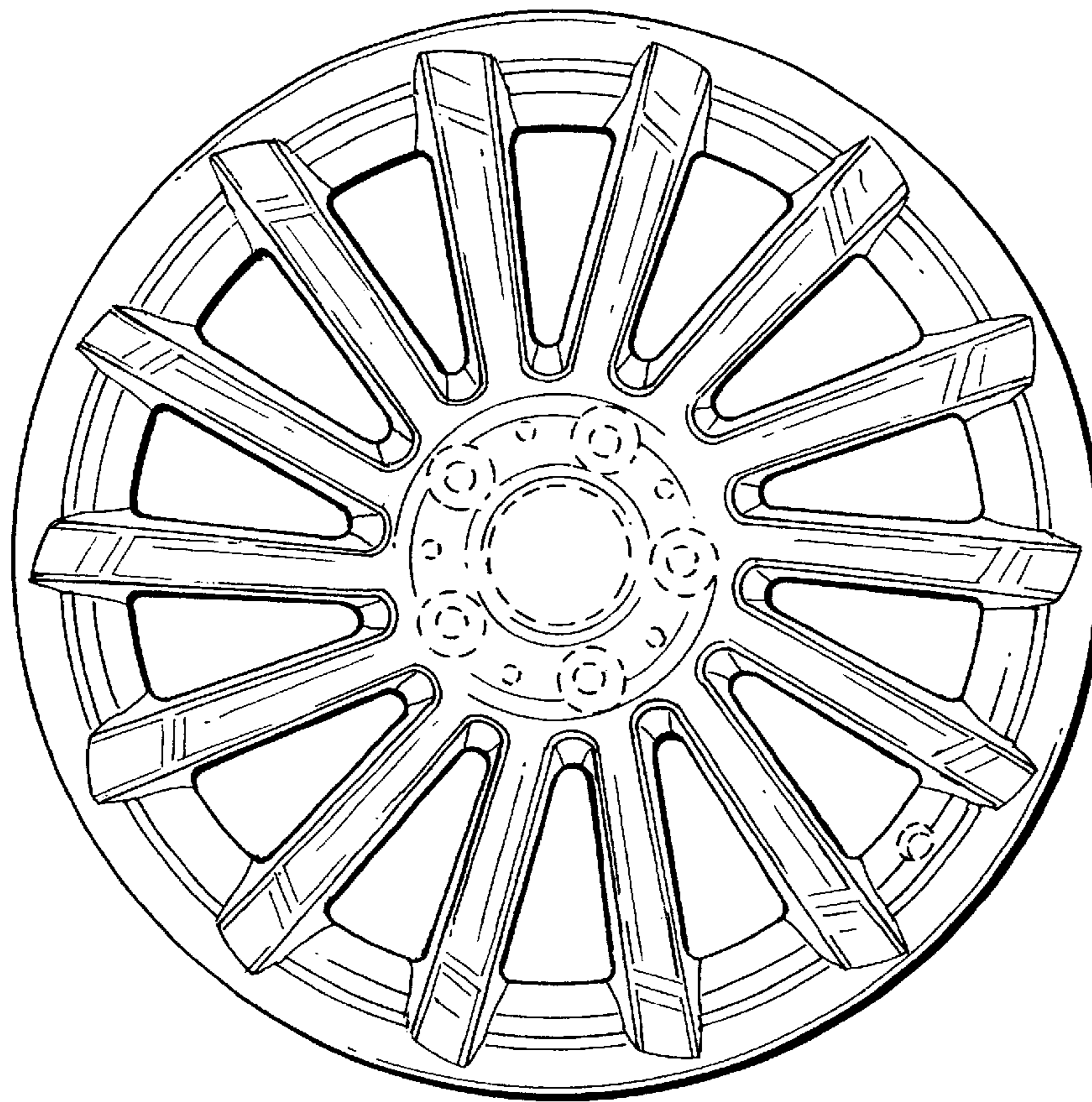
DESCRIPTION

FIG. 1 is a front view of a front face of a vehicle wheel according to my novel design; and,

FIG. 2 is a perspective view of the front face of a vehicle wheel according to my novel design.

The broken lines are for illustrative purposes only and form no part of the claimed design.

1 Claim, 1 Drawing Sheet



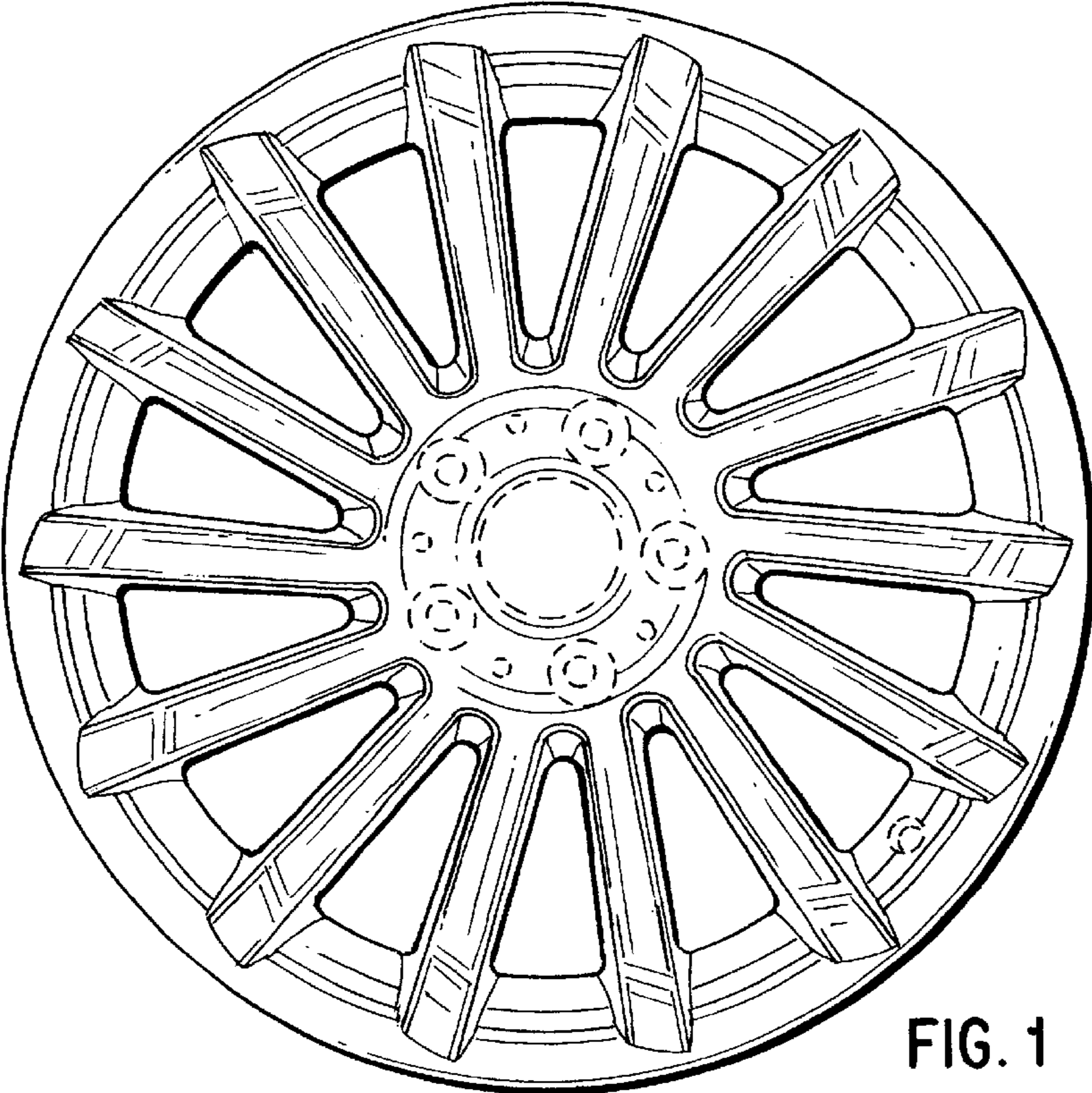


FIG. 1

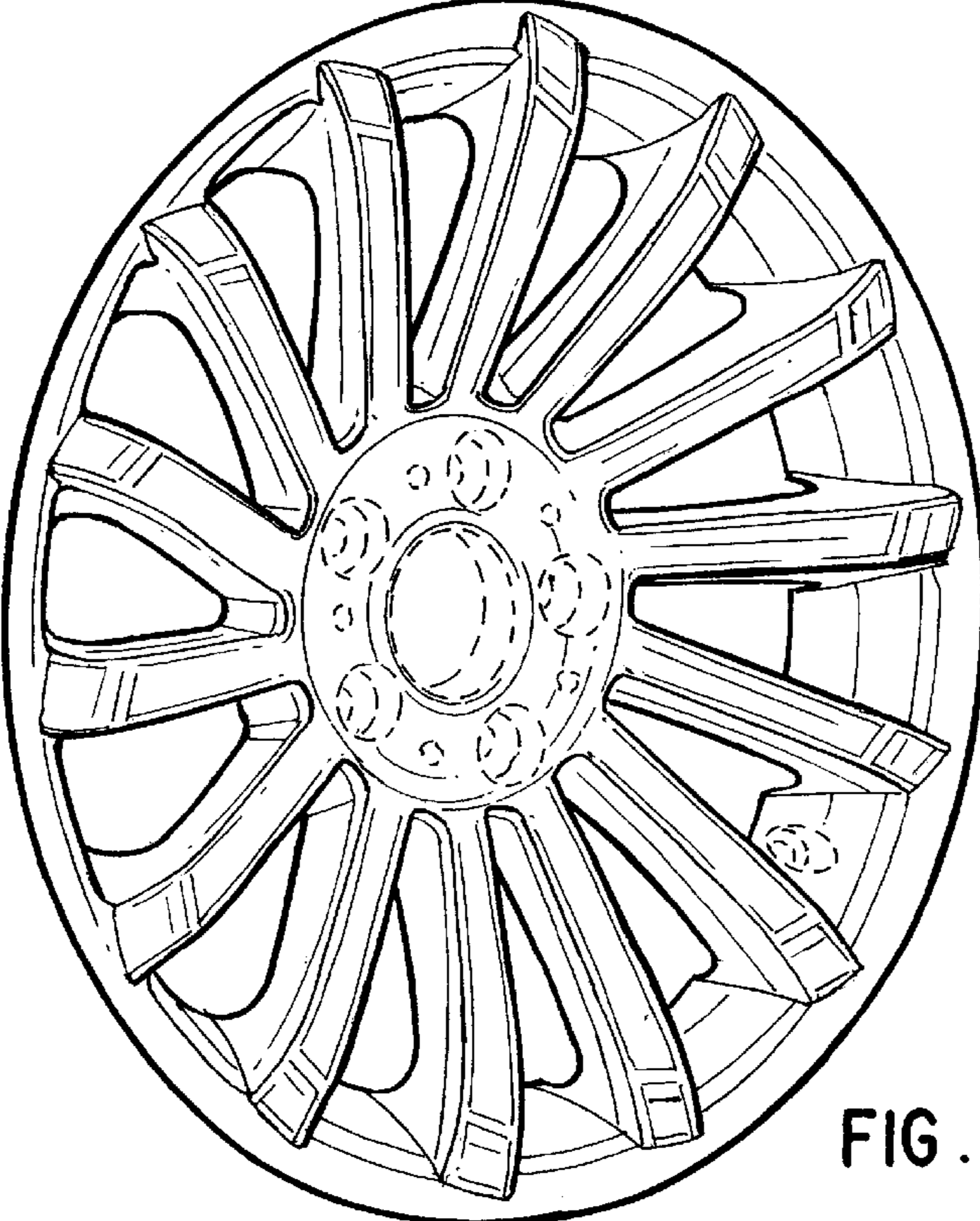


FIG. 2