

US00D516490S

(12) **United States Design Patent**  
**Baer**

(10) **Patent No.:** **US D516,490 S**  
(45) **Date of Patent:** **\*\* Mar. 7, 2006**

(54) **FRONT FACE OF A VEHICLE WHEEL**

(75) Inventor: **Viktor Baer**, Korbach (DE)

(73) Assignee: **Bayerische Motoren Werke Aktiengesellschaft**, Munich (DE)

(\*\*) Term: **14 Years**

(21) Appl. No.: **29/213,698**

(22) Filed: **Sep. 22, 2004**

(30) **Foreign Application Priority Data**

Mar. 23, 2004 (DE) ..... 40401901

(51) **LOC (8) Cl.** ..... **12-16**

(52) **U.S. Cl.** ..... **D12/211**

(58) **Field of Classification Search** ..... D12/204-213;  
301/37.101, 64.101, 65

See application file for complete search history.

(56) **References Cited**

**U.S. PATENT DOCUMENTS**

D441,709 S \* 5/2001 Vian ..... D12/211  
D460,936 S \* 7/2002 Nakazawa et al. .... D12/209  
D471,852 S \* 3/2003 Pfeiffer et al. .... D12/211

D476,284 S \* 6/2003 Pfeiffer et al. .... D12/211  
D479,177 S \* 9/2003 Nordmann ..... D12/211  
D500,278 S \* 12/2004 Huet ..... D12/211  
D504,649 S \* 5/2005 Pfeiffer ..... D12/209  
D504,651 S \* 5/2005 Johnson ..... D12/211

**FOREIGN PATENT DOCUMENTS**

DE 402 01 915 7/2002

\* cited by examiner

*Primary Examiner*—Stacia Cadmus

(74) *Attorney, Agent, or Firm*—Crowell & Moring LLP

(57) **CLAIM**

The ornamental design for a front face of a vehicle wheel, as shown and described.

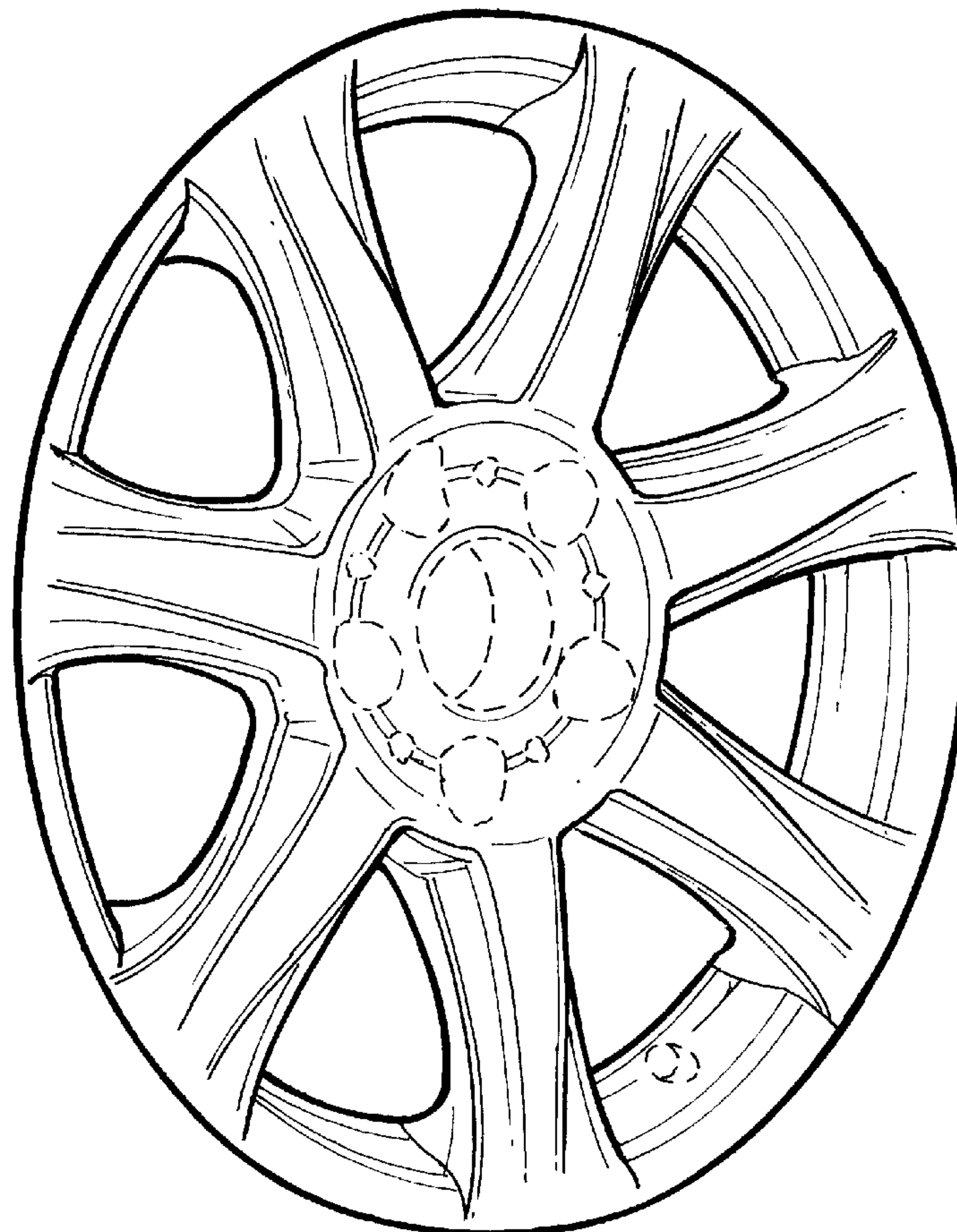
**DESCRIPTION**

FIG. 1 is a front view of a front face of a vehicle wheel, according to my novel design; and,

FIG. 2 is a perspective view of the front face of a vehicle wheel according to my novel design.

The broken lines are for illustrative purposes only and form no part of the claimed design.

**1 Claim, 1 Drawing Sheet**



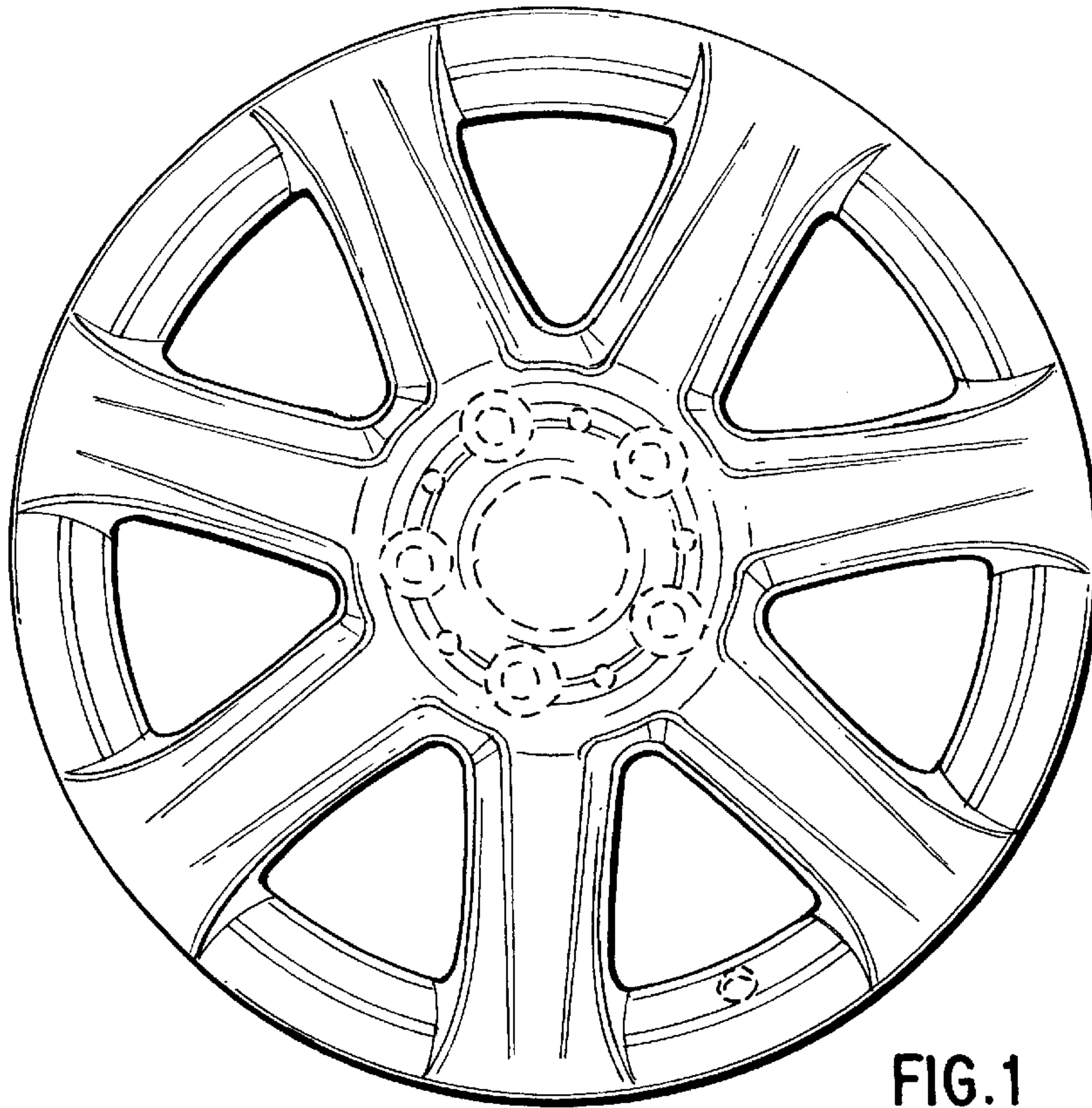


FIG. 1

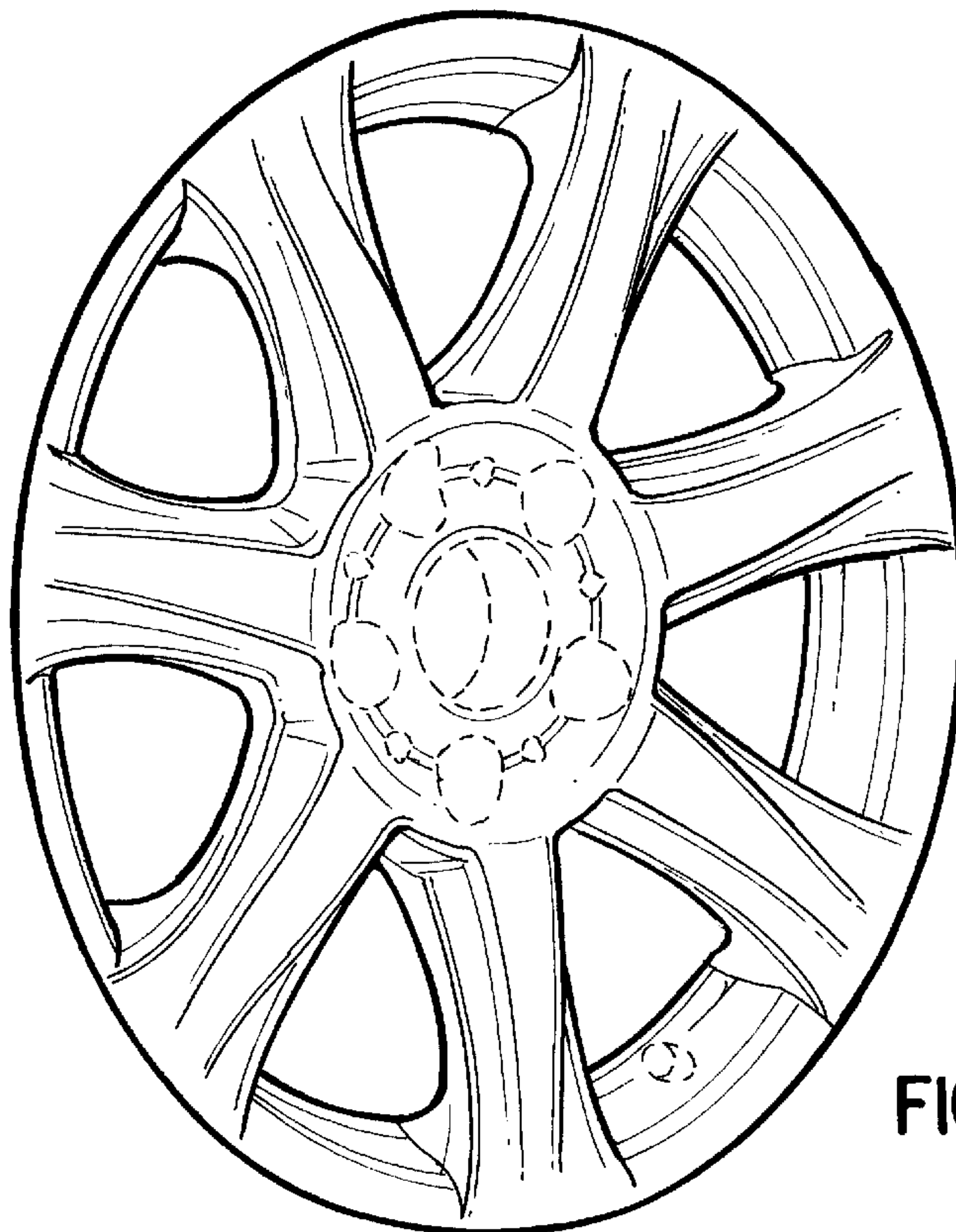


FIG. 2