



US00D516488S

(12) **United States Design Patent**
Truebsbach

(10) **Patent No.:** **US D516,488 S**
(45) **Date of Patent:** **** Mar. 7, 2006**

(54) **FRONT FACE OF A VEHICLE WHEEL**

(75) **Inventor:** **Sebastian Truebsbach**, Prien am Chiemsee (DE)

(73) **Assignee:** **Bayerische Motoren Werke Aktiengesellschaft**, Munich (DE)

(**) **Term:** **14 Years**

(21) **Appl. No.:** **29/228,647**

(22) **Filed:** **Apr. 27, 2005**

(30) **Foreign Application Priority Data**

Oct. 28, 2004 (DE) 40406173

(51) **LOC (8) Cl.** **12-16**

(52) **U.S. Cl.** **D12/209**

(58) **Field of Classification Search** D12/204-213;
301/37.101, 64.101, 65
See application file for complete search history.

(56) **References Cited**

U.S. PATENT DOCUMENTS

D401,206 S * 11/1998 Ivanova D12/209

D446,762 S * 8/2001 Hussaini et al. D12/209
D451,877 S * 12/2001 Lee D12/211
D470,448 S * 2/2003 Kataoka D12/211
D483,714 S * 12/2003 Warming D12/211
D485,524 S * 1/2004 Bhambra D12/209
D486,111 S * 2/2004 Weidhase D12/211
D487,717 S * 3/2004 Lenz D12/211
D491,124 S * 6/2004 Rice D12/209
D500,278 S * 12/2004 Huet D12/211

* cited by examiner

Primary Examiner—Stacia Cadmus

(74) *Attorney, Agent, or Firm*—Crowell & Moring LLP

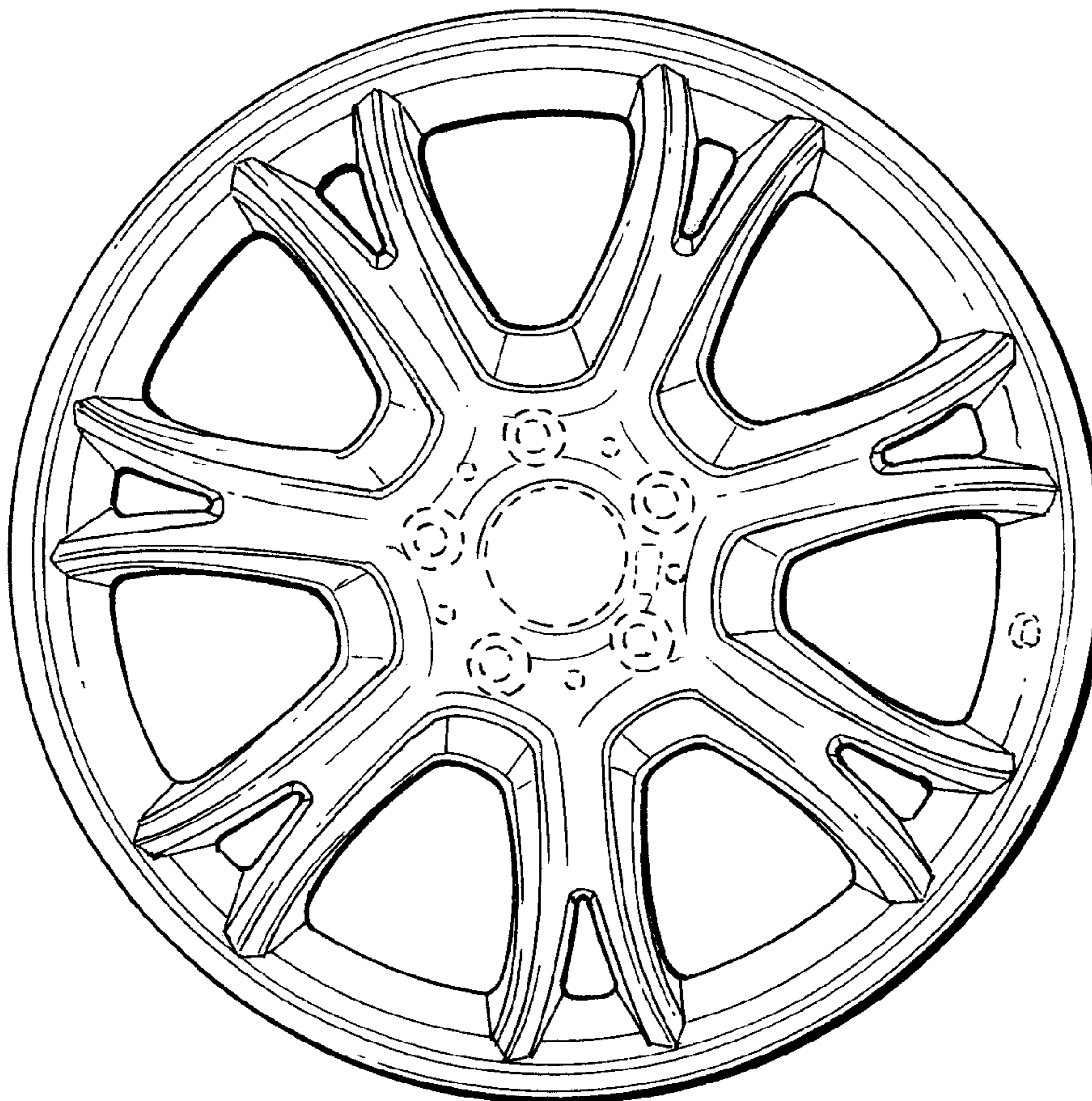
(57) **CLAIM**

The ornamental design for a front face of a vehicle wheel, as shown and described.

DESCRIPTION

FIG. 1 is a front view of a front face of a vehicle wheel according to my novel design; and, FIG. 2 is a perspective view of the front face of a vehicle wheel according to my novel design. The broken lines are for illustrative purposes only and form no part of the claimed design.

1 Claim, 1 Drawing Sheet



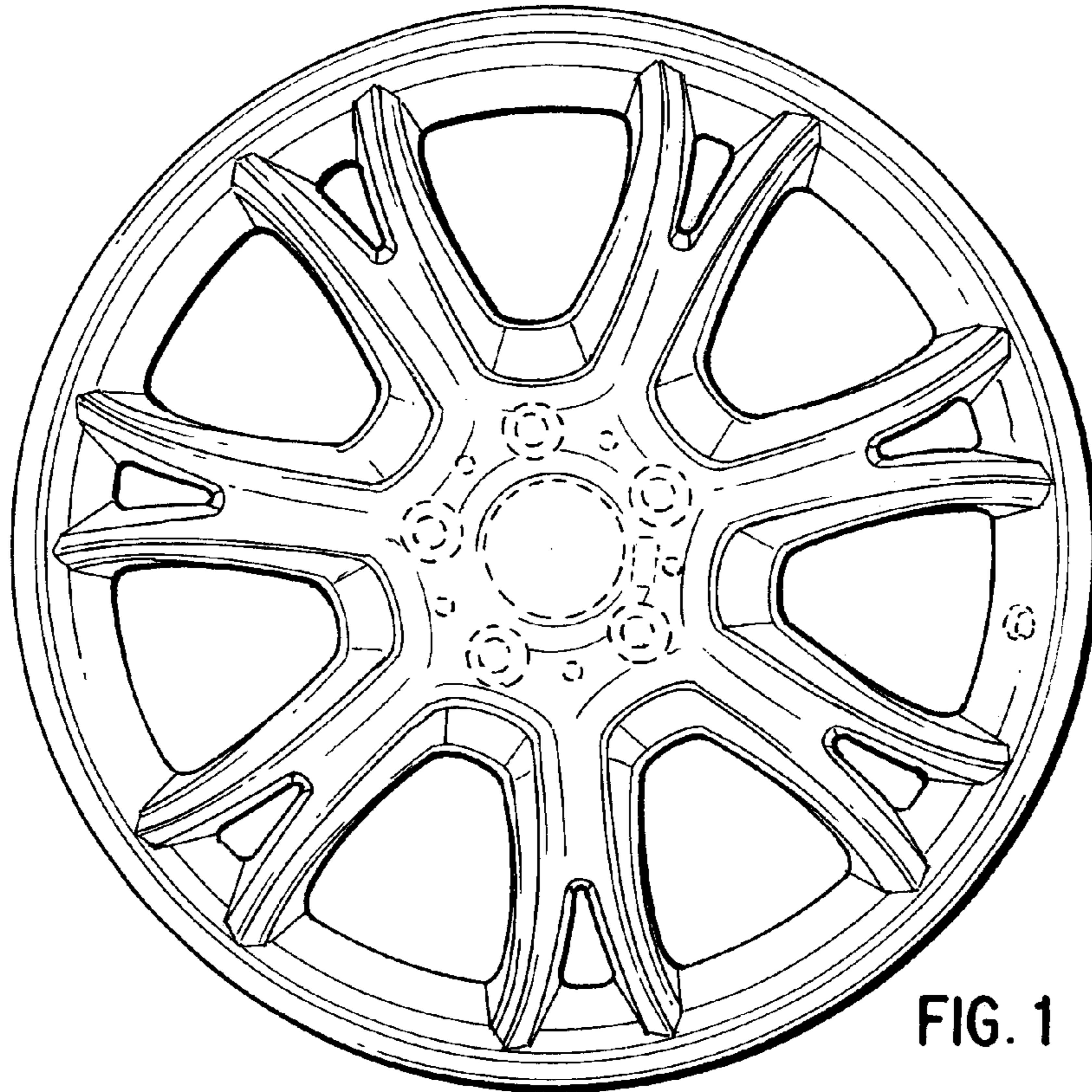


FIG. 1

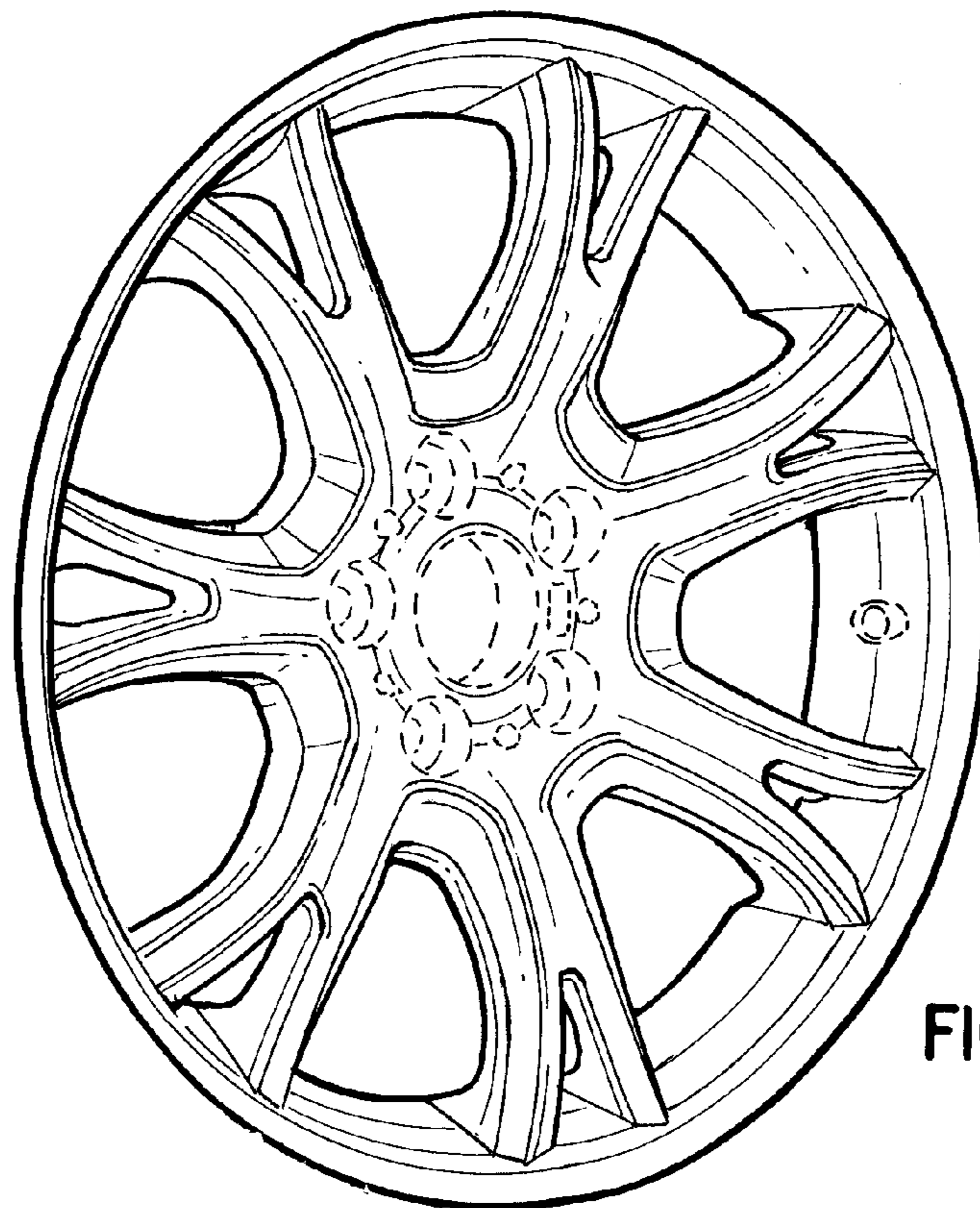


FIG. 2