



US00D516487S

(12) **United States Design Patent**  
**Hettler**

(10) **Patent No.:** **US D516,487 S**  
(45) **Date of Patent:** **\*\* Mar. 7, 2006**

(54) **FRONT FACE OF A VEHICLE WHEEL**

(75) Inventor: **Jan Hettler**, Munich (DE)

(73) Assignee: **Bayerische Motoren Werke  
Aktiengesellschaft**, Munich (DE)

(\*\*) Term: **14 Years**

(21) Appl. No.: **29/227,210**

(22) Filed: **Apr. 8, 2005**

(51) **LOC (8) Cl.** ..... **12-16**

(52) **U.S. Cl.** ..... **D12/209**

(58) **Field of Classification Search** ..... D12/204-213;  
301/37.101, 64.101, 65

See application file for complete search history.

(56) **References Cited**

**U.S. PATENT DOCUMENTS**

D421,417 S	*	3/2000	Weidhase	.....	D12/209
D437,821 S	*	2/2001	Frohlich	.....	D12/211
D449,028 S	*	10/2001	Weidhase	.....	D12/209
D454,105 S	*	3/2002	Pfeiffer	.....	D12/209

D480,676 S	*	10/2003	Bhambra	.....	D12/211
D485,223 S	*	1/2004	Pfeiffer et al.	.....	D12/209
D486,437 S	*	2/2004	Hieke	.....	D12/211
D486,770 S	*	2/2004	Pollmann	.....	D12/209
D504,098 S	*	4/2005	Gallert	.....	D12/209
D504,100 S	*	4/2005	Pollmann	.....	D12/211

\* cited by examiner

*Primary Examiner*—Stacia Cadmus

(74) *Attorney, Agent, or Firm*—Crowell & Moring LLP

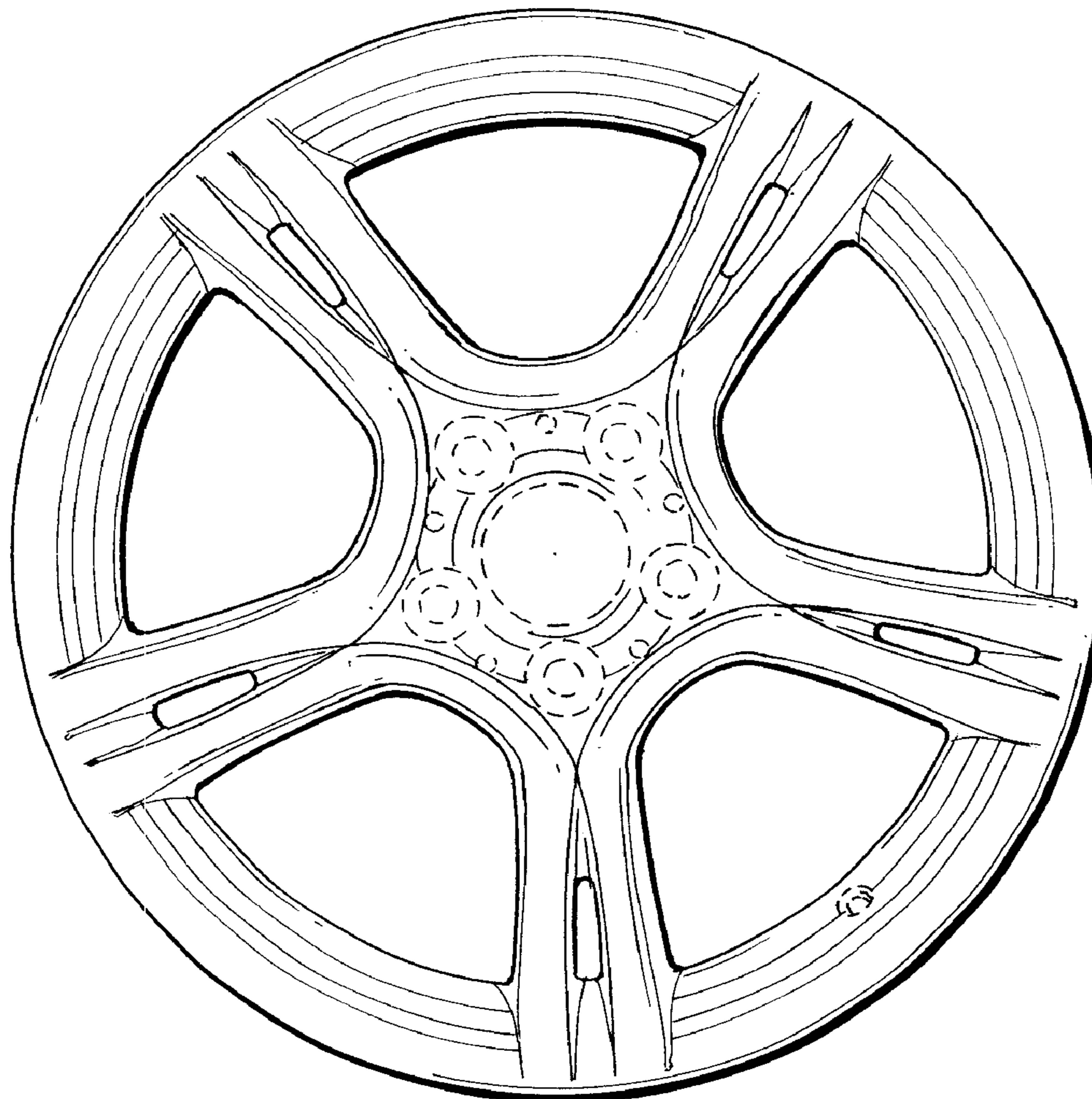
(57) **CLAIM**

The ornamental design for a front face of a vehicle wheel, as shown and described.

**DESCRIPTION**

FIG. 1 is a front view of a front face of a vehicle wheel according to my novel design; and, FIG. 2 is a perspective view of the front face of a vehicle wheel according to my novel design. The broken lines are for illustrative purposes only and form no part of the claimed design.

**1 Claim, 1 Drawing Sheet**



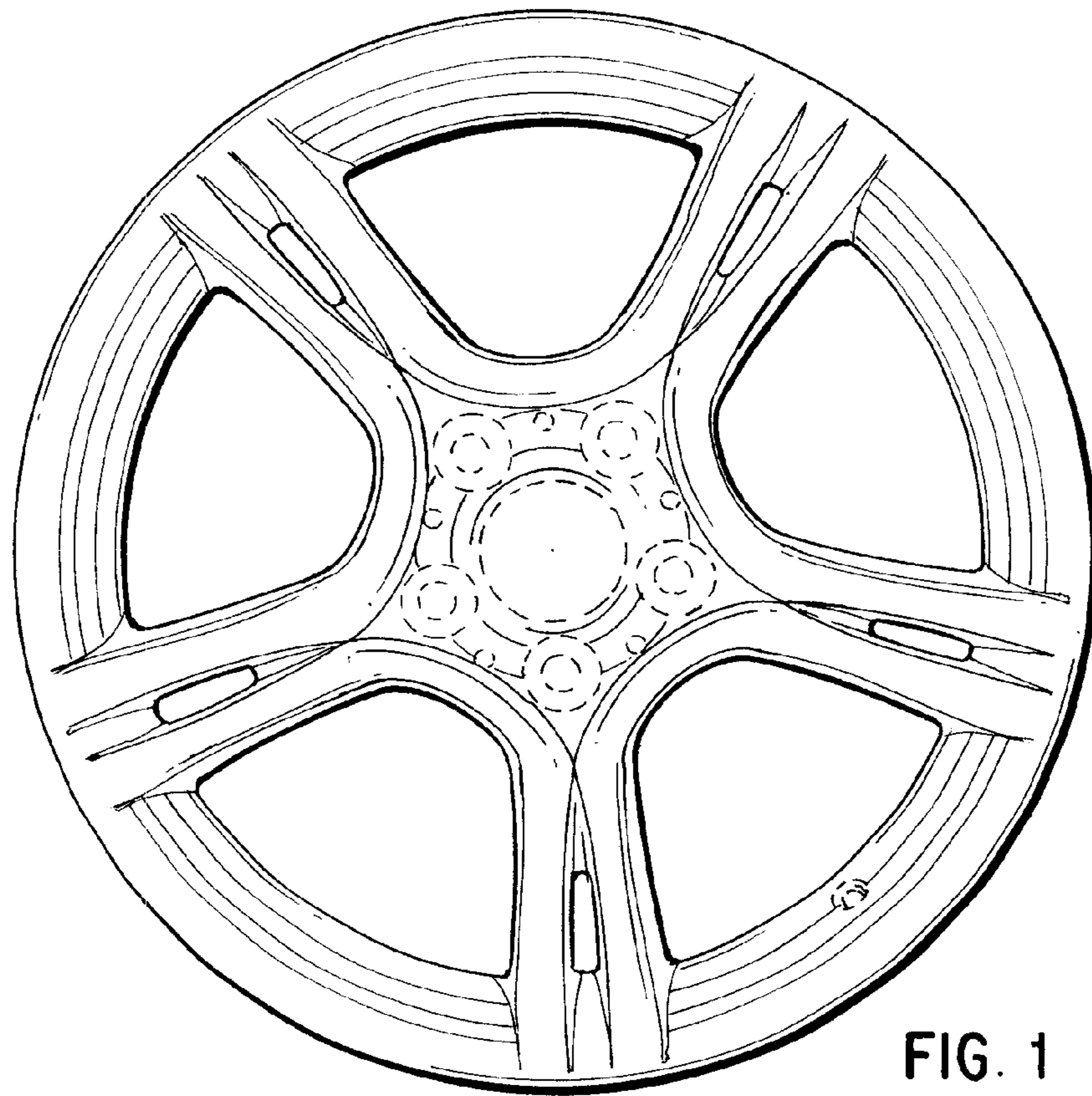


FIG. 1

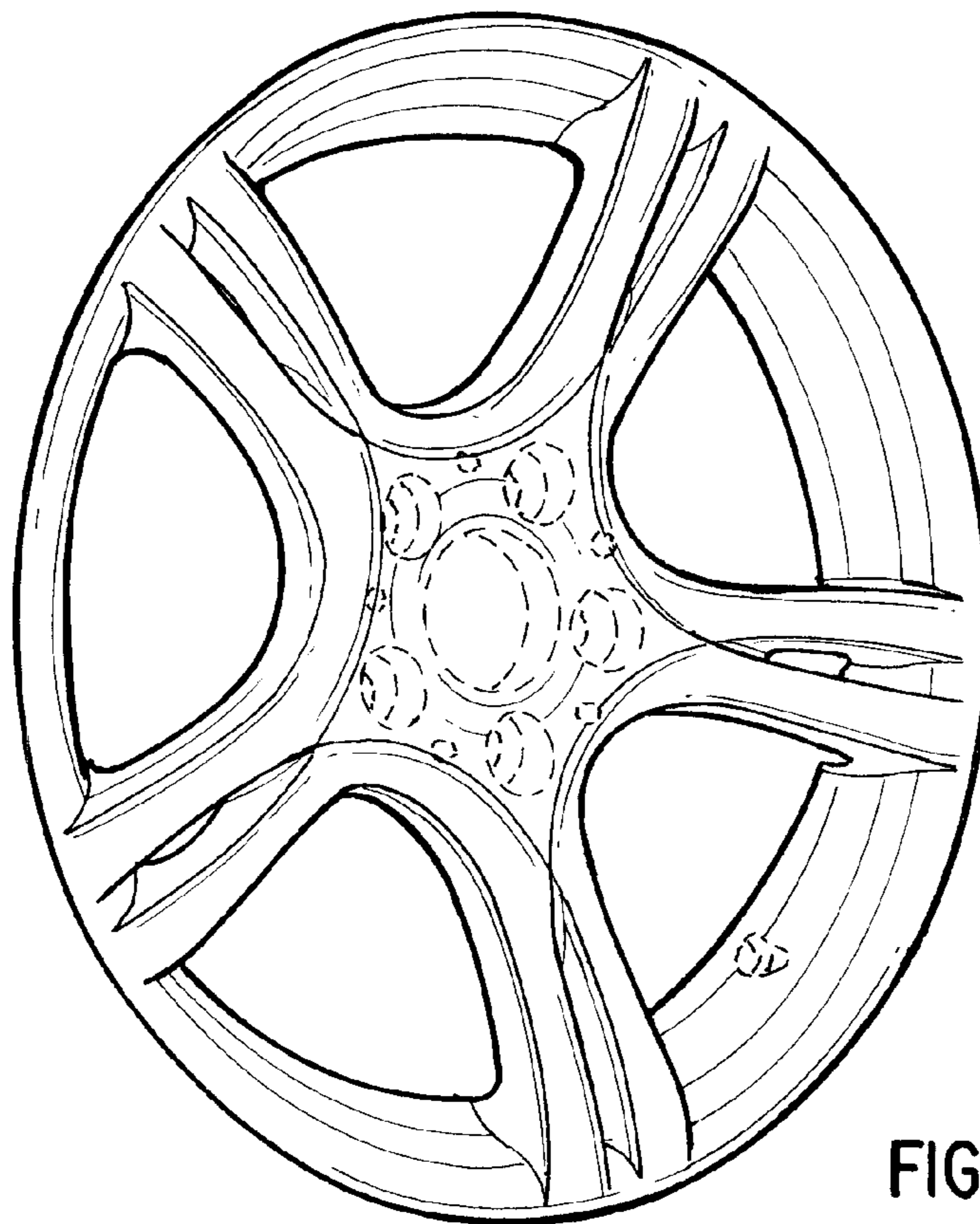


FIG. 2