



US00D516485S

(12) **United States Design Patent**
Lucaora

(10) **Patent No.:** **US D516,485 S**
(45) **Date of Patent:** **** Mar. 7, 2006**

(54) **WHEEL**
(75) **Inventor:** **Luigi Lucaora, San Martino (IT)**
(73) **Assignee:** **Brumby Corporation Limited (GB)**
(**) **Term:** **14 Years**

D408,003 S * 4/1999 Sacco et al. D12/209
D412,308 S * 7/1999 Hussaini et al. D12/209
D425,470 S * 5/2000 Pfeiffer et al. D12/209
D436,572 S * 1/2001 Brown D12/209
D440,933 S * 4/2001 Vian D12/209
D451,061 S * 11/2001 Ishihara D12/209
D453,132 S * 1/2002 Chen D12/209
D490,355 S * 5/2004 Francis D12/209

(21) **Appl. No.:** **29/215,461**
(22) **Filed:** **Oct. 20, 2004**

* cited by examiner

Related U.S. Application Data

(62) Division of application No. 29/172,093, filed on Dec. 6, 2002, now Pat. No. Des. 507,220.

Primary Examiner—Stacia Cadmus
(74) *Attorney, Agent, or Firm*—Banner & Witcoff, Ltd.

(30) **Foreign Application Priority Data**

Jun. 7, 2002 (GB) 3004204
Jun. 7, 2002 (GB) 3004205

(57) **CLAIM**

The ornamental design for a wheel, as shown and described.

(51) **LOC (8) Cl.** **12-16**
(52) **U.S. Cl.** **D12/209**
(58) **Field of Classification Search** D12/204–213;
301/37.101, 64.101, 65
See application file for complete search history.

DESCRIPTION

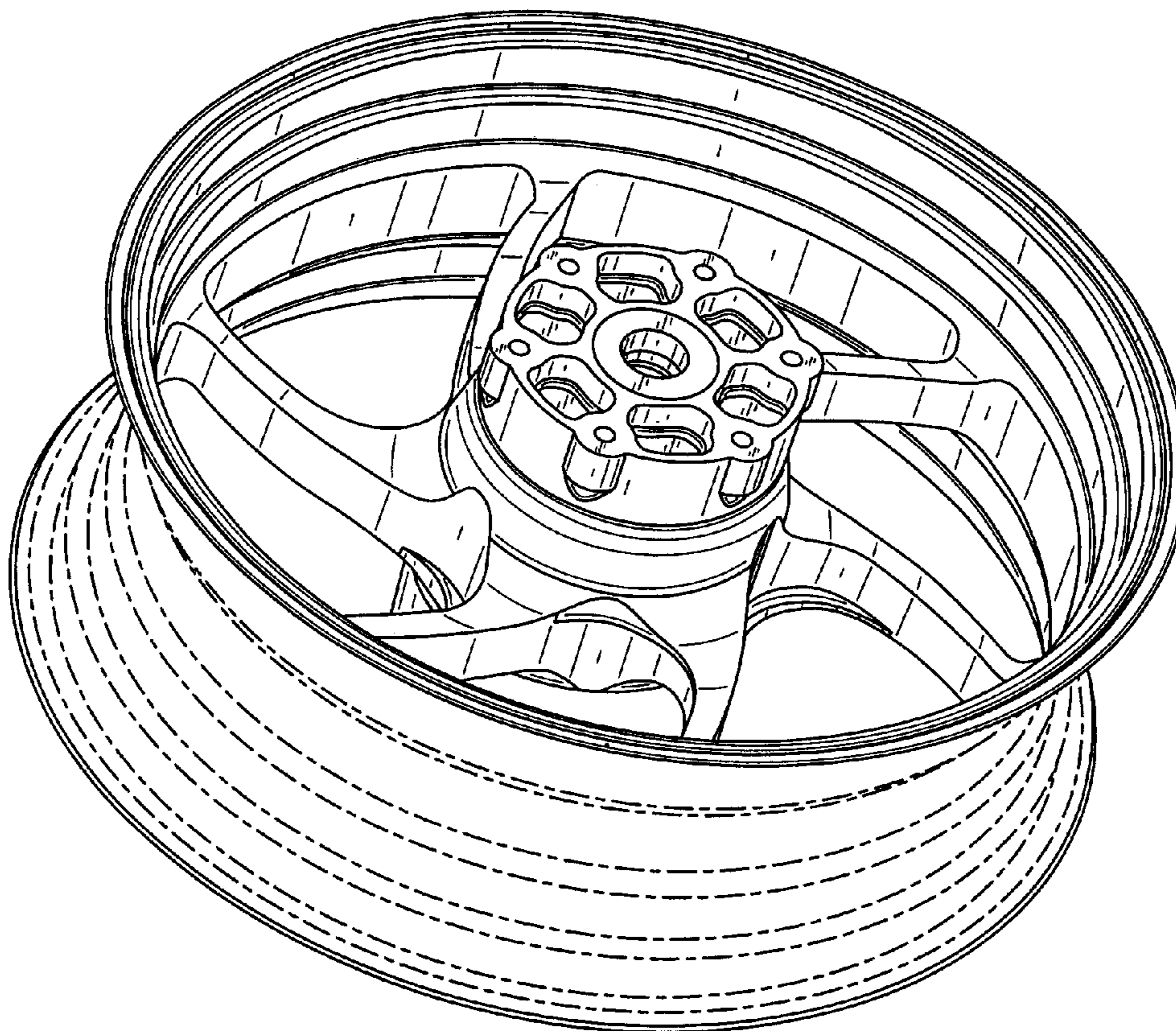
FIG. 1 is a front view of a wheel, showing my new design; FIG. 2 is a top plan view thereof, the bottom plan view being a mirror image thereof; FIG. 3 is a perspective view of rear side of the wheel; and, FIG. 4 is a perspective view of the front side of the wheel. The broken line showing in FIGS. 2–4 is for illustrative purposes only and forms no part of the claimed design.

(56) **References Cited**

U.S. PATENT DOCUMENTS

D395,634 S * 6/1998 Choi D12/209

1 Claim, 4 Drawing Sheets



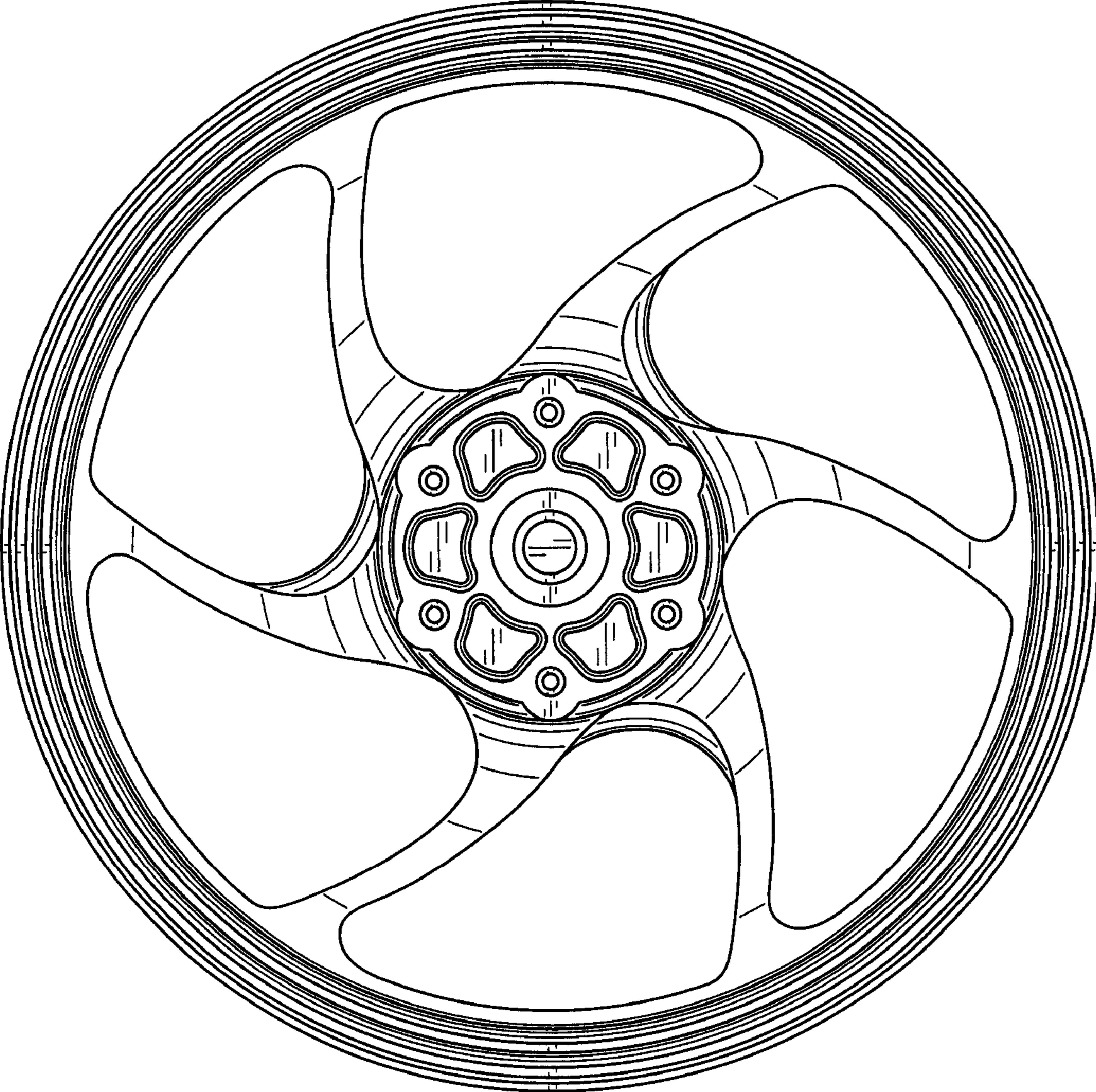


FIG. 1

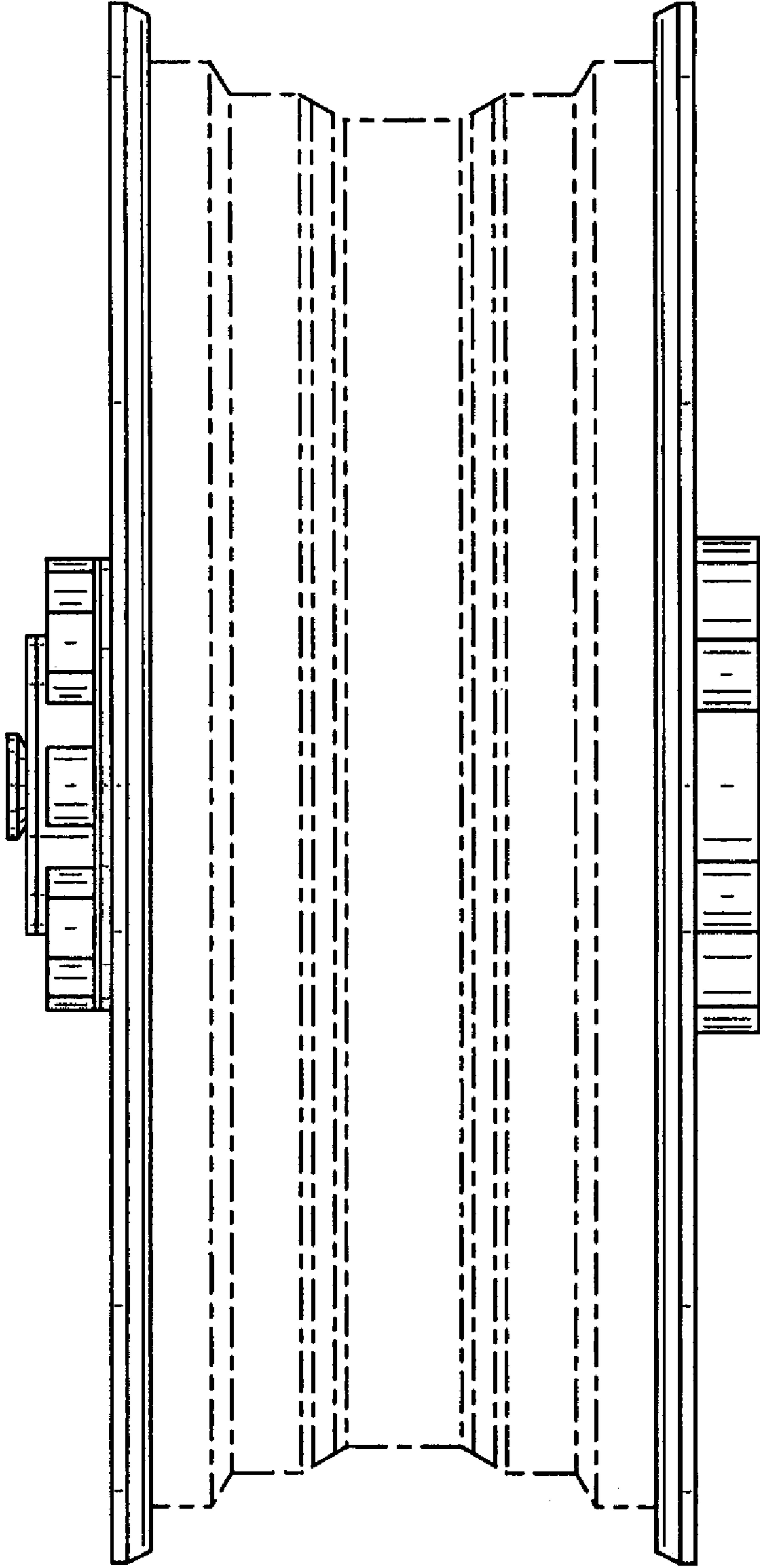


FIG. 2

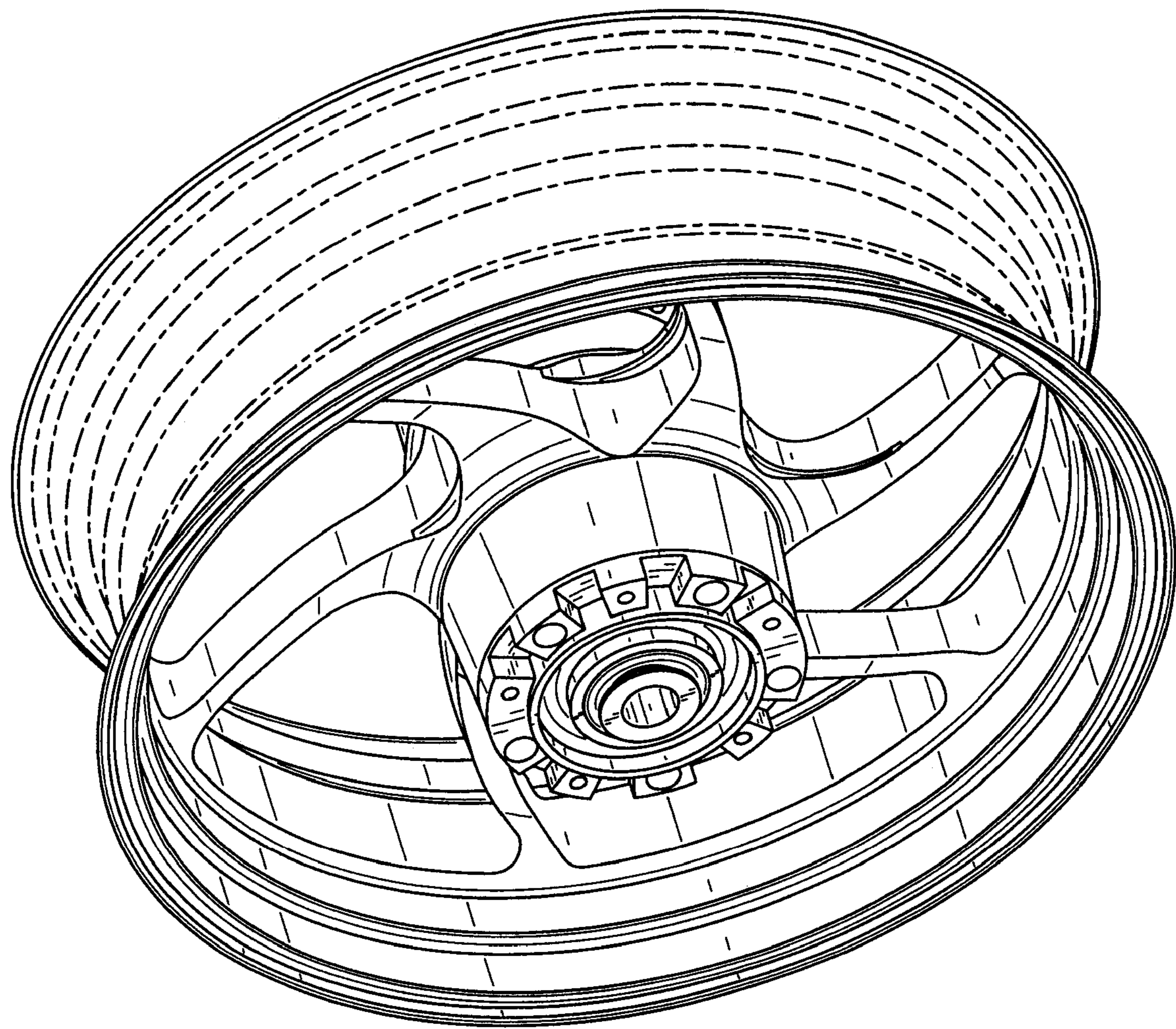


FIG. 3

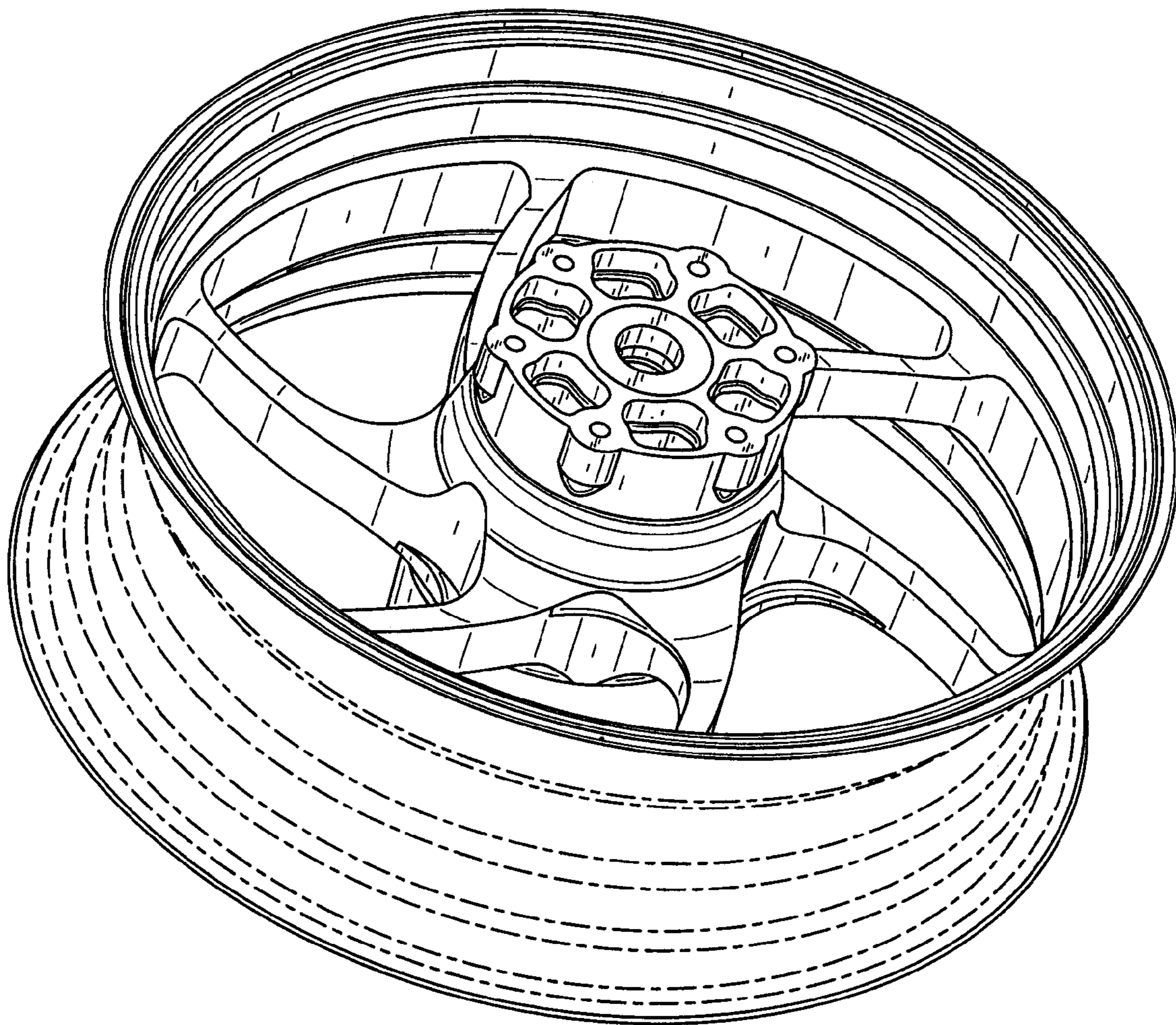


FIG. 4