



US00D516483S

(12) **United States Design Patent**
Eidsmore

(10) **Patent No.:** **US D516,483 S**
(45) **Date of Patent:** **** Mar. 7, 2006**

(54) **LICENSE PLATE FRAME INCLUDING A HANDLE**

D437,815 S * 2/2001 Lyon D12/193
D464,299 S * 10/2002 Ohm et al. D12/193
D489,031 S * 4/2004 Leibman D12/193

(75) Inventor: **Thomas Eidsmore**, 1700 Granite Creek Rd., Santa Cruz, CA (US) 95065

* cited by examiner

(73) Assignee: **Thomas Eidsmore**, Santa Cruz, CA (US)

Primary Examiner—Stacia Cadmus
(74) *Attorney, Agent, or Firm*—Fay, Sharpe, Fagan, Minnich & McKee, LLP

(**) Term: **14 Years**

(57) **CLAIM**

(21) Appl. No.: **29/227,994**

The ornamental design for a license plate frame including a handle, as shown and described.

(22) Filed: **Apr. 19, 2005**

DESCRIPTION

(51) **LOC (8) Cl.** **12-16**

(52) **U.S. Cl.** **D12/193**

(58) **Field of Classification Search** D12/193;
D6/300–303, 310–314; 40/200–203, 207–216
See application file for complete search history.

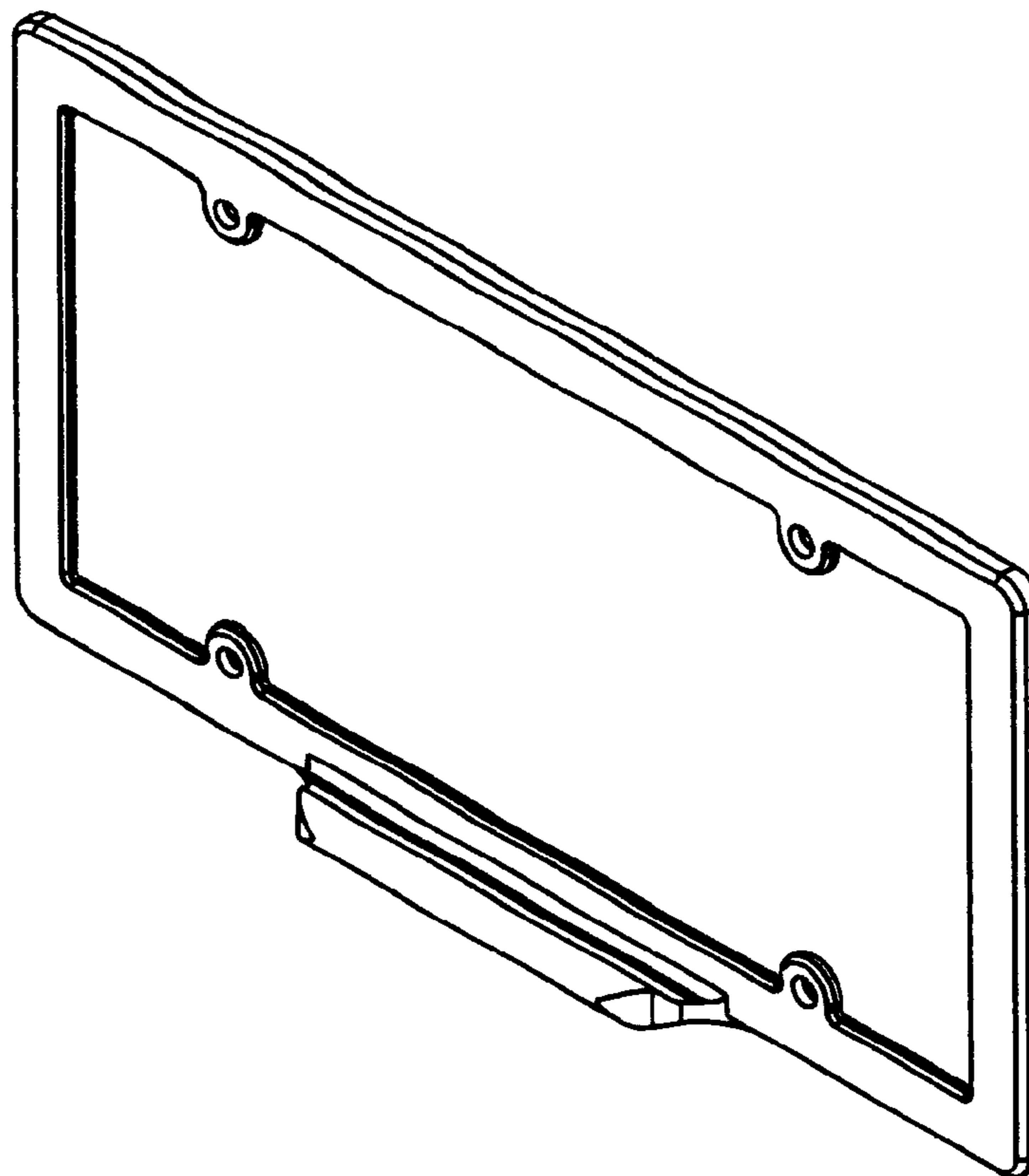
FIG. 1 is a front perspective view of a license plate frame including a handle showing my new design;
FIG. 2 is a rear perspective view of the license plate frame including the handle of FIG. 1;
FIG. 3 is a front plan view of the license plate frame including the handle of FIG. 1;
FIG. 4 is a top elevational view of the license plate frame including the handle of FIG. 1;
FIG. 5 is a side elevational view of the license plate frame including the handle of FIG. 1; and,
FIG. 6 is a rear plan view of the license plate frame including the handle of FIG. 1.

(56) **References Cited**

U.S. PATENT DOCUMENTS

4,011,675 A * 3/1977 Herring 40/209
D274,807 S * 7/1984 Stansbury et al. D12/193
D382,240 S * 8/1997 Francis D12/193
D384,628 S * 10/1997 Lake D12/193
5,803,526 A * 9/1998 Rohrberg 40/209
D412,307 S * 7/1999 Hartmann et al. D12/193
D415,987 S * 11/1999 Romero D12/193

1 Claim, 2 Drawing Sheets



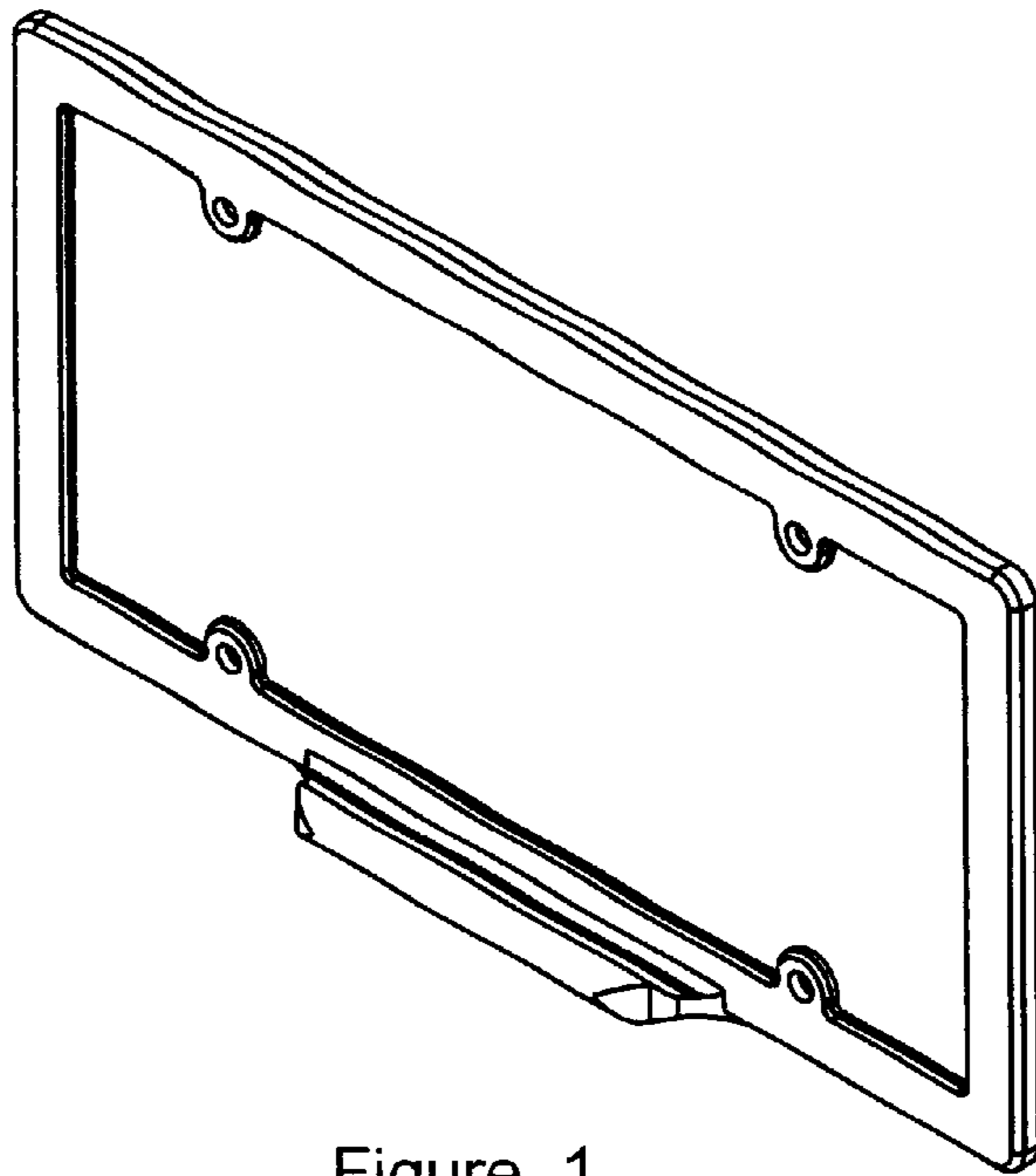


Figure 1

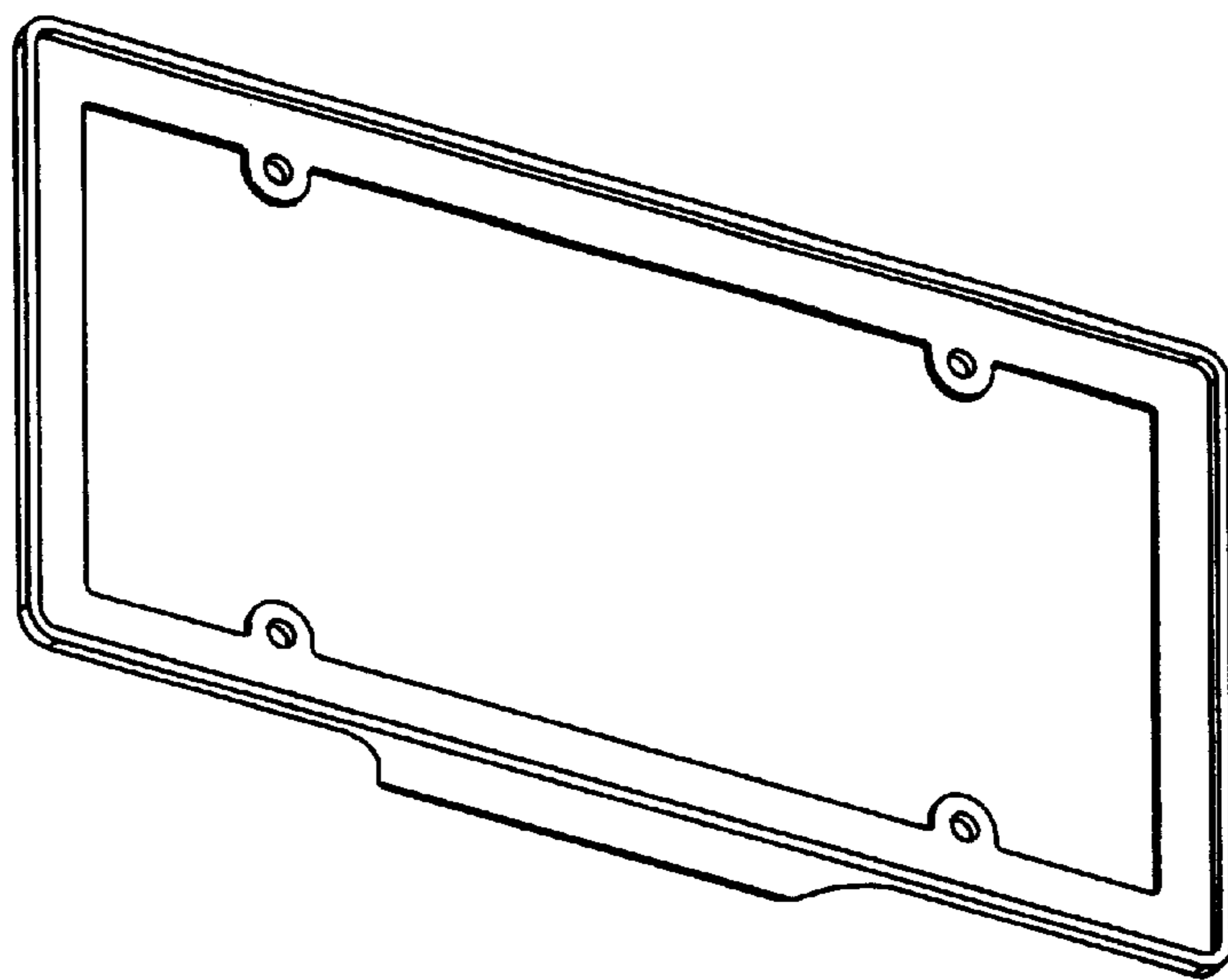


Figure 2

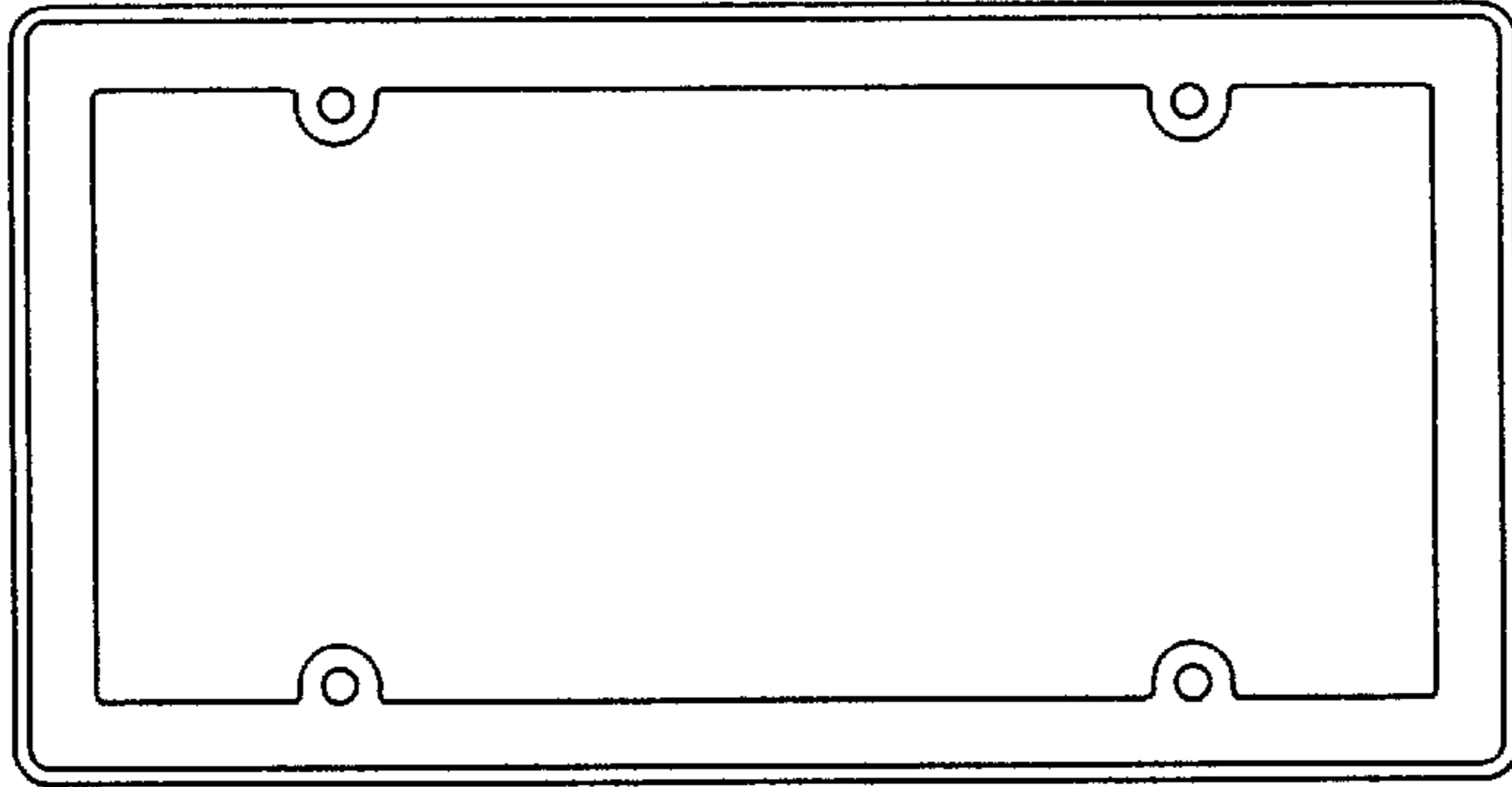


Figure 6

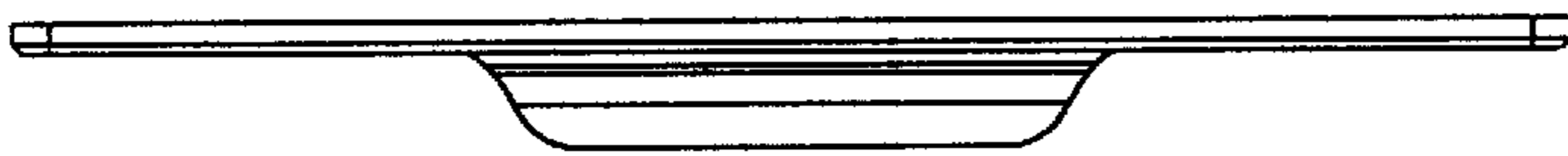


Figure 4

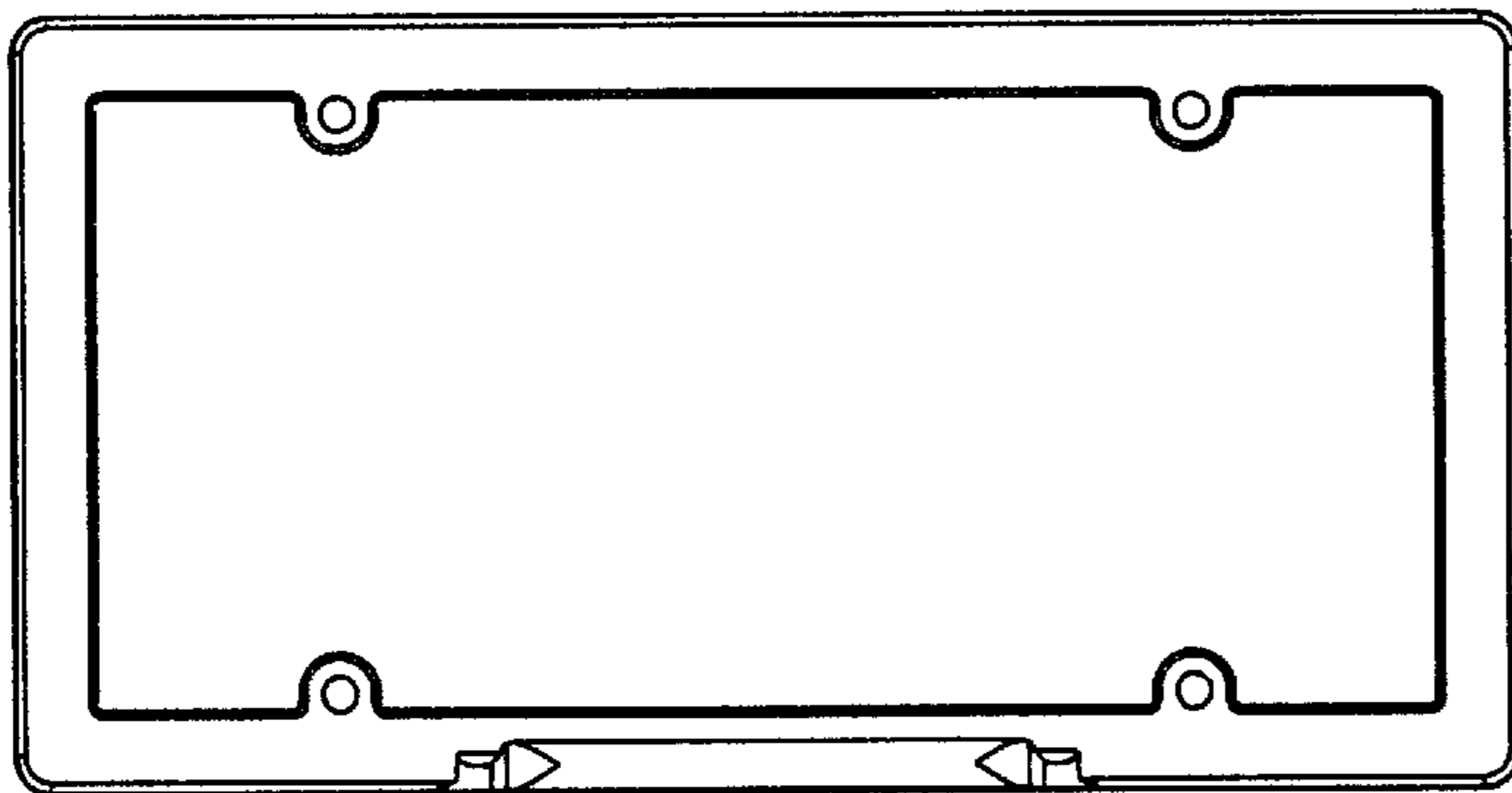


Figure 3



Figure 5