

US00D516480S

(12) **United States Design Patent**
Nagashima

(10) **Patent No.:** **US D516,480 S**
(45) **Date of Patent:** **** Mar. 7, 2006**

(54) **SURFACE CONFIGURATION OF A SIDE MIRROR FOR A VEHICLE**

(75) Inventor: **Joji Nagashima**, Munich (DE)

(73) Assignee: **Bayerische Motoren Werke Aktiengesellschaft**, Munich (DE)

(**) Term: **14 Years**

(21) Appl. No.: **29/217,897**

(22) Filed: **Nov. 24, 2004**

(30) **Foreign Application Priority Data**

May 27, 2004 (DE) 4 04 03 323

(51) **LOC (8) Cl.** **12-16**

(52) **U.S. Cl.** **D12/187**

(58) **Field of Classification Search** D12/187-189;
359/838-851, 855-868, 871-881

See application file for complete search history.

(56) **References Cited**

U.S. PATENT DOCUMENTS

D307,570 S * 5/1990 Swanson D12/187

(Continued)

Primary Examiner—Melody N. Brown

(74) *Attorney, Agent, or Firm*—Crowell & Moring LLP

(57) **CLAIM**

The ornamental design for a surface configuration of a side mirror for a vehicle, as shown and described.

DESCRIPTION

This application is related to co-pending Application Ser. No. 29/217,910, of the inventor, filed on even date herewith and entitled "Surface Configuration of a Vehicle, Toy and/or Other Replicas".

FIG. 1 is a front perspective view of a first embodiment of a surface configuration of a side mirror for a vehicle according to my novel design;

FIG. 2 is a rear perspective view of the first embodiment of the surface configuration of a side mirror for a vehicle according to my novel design;

FIG. 3 is a front view of the first embodiment of the surface configuration of a side mirror for a vehicle according to my novel design;

FIG. 4 is a rear view of the first embodiment of the surface configuration of a side mirror for a vehicle according to my novel design;

FIG. 5 is a top view of the first embodiment of the surface configuration of a side mirror for a vehicle according to my novel design;

FIG. 6 is a bottom view of the first embodiment of the surface configuration of a side mirror for a vehicle according to my novel design;

FIG. 7 is a side view of the first embodiment of the surface configuration of a side mirror for a vehicle according to my novel design;

FIG. 8 is a front perspective view of a second embodiment of the surface configuration of a side mirror for a vehicle according to my novel design;

FIG. 9 is a rear perspective view of the second embodiment of the surface configuration of a side mirror for a vehicle according to my novel design;

FIG. 10 is a front view of the second embodiment of the surface configuration of a side mirror for a vehicle according to my novel design;

FIG. 11 is a rear view of the second embodiment of the surface configuration of a side mirror for a vehicle according to my novel design;

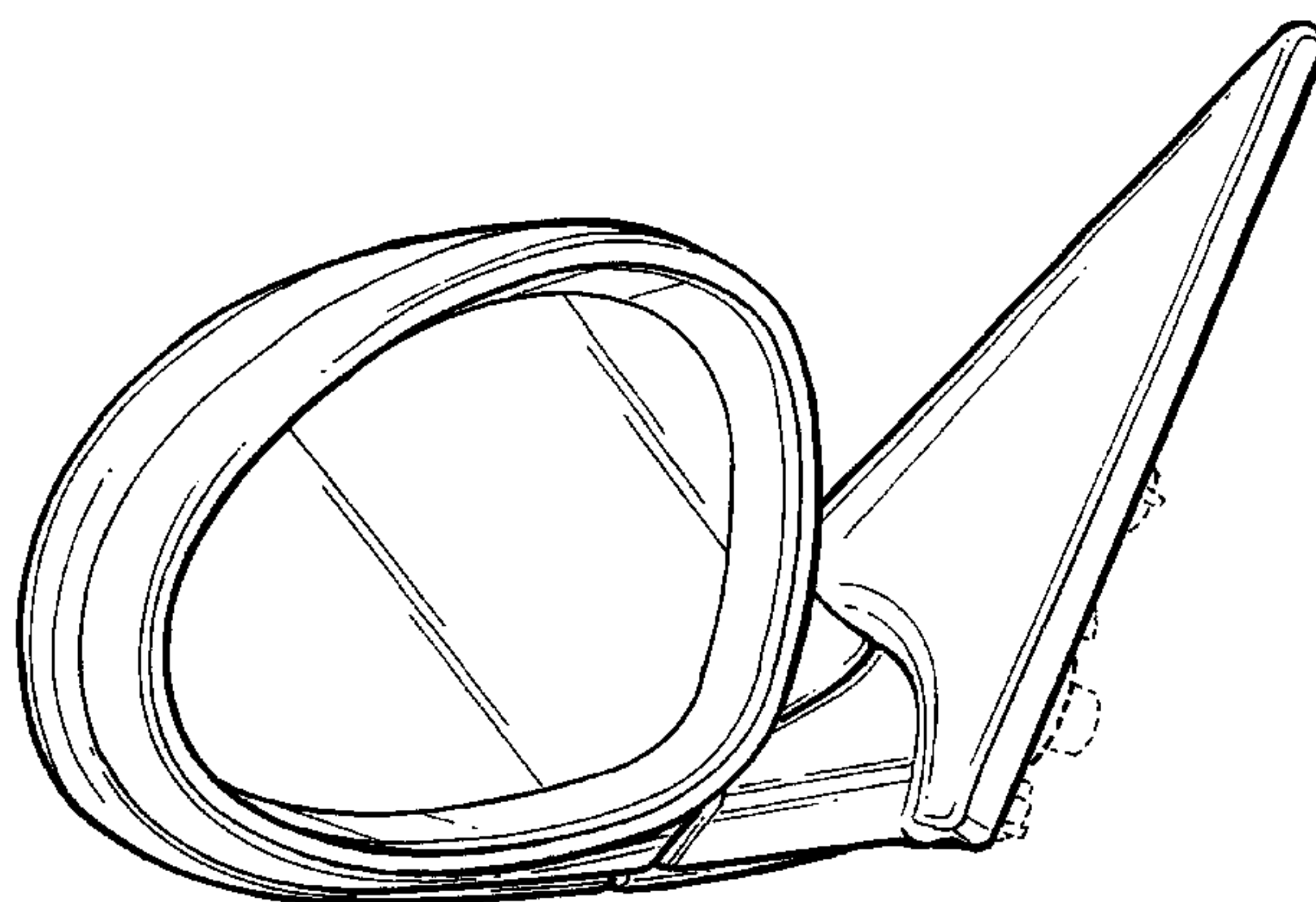
FIG. 12 is a top view of the second embodiment of the surface configuration of a side mirror for a vehicle according to my novel design;

FIG. 13 is a bottom view of the second embodiment of the surface configuration of a side mirror for a vehicle according to my novel design; and,

FIG. 14 is a side view of the second embodiment of the surface configuration of a side mirror for a vehicle according to my novel design.

The broken lines are for illustrative purposes only and form no part of the claimed design.

1 Claim, 6 Drawing Sheets



US D516,480 S

Page 2

U.S. PATENT DOCUMENTS

D410,421 S	*	6/1999	Pfeiffer	D12/187	D463,766 S	*	10/2002	Murkett	D12/187
D445,386 S	*	7/2001	Sacco et al.	D12/187	D484,837 S	*	1/2004	Liu	D12/187
D453,721 S	*	2/2002	Papke et al.	D12/187	D485,521 S	*	1/2004	Kuo	D12/187
D463,342 S	*	9/2002	Sinkwitz	D12/187	D500,274 S	*	12/2004	Pfeiffer	D12/187

* cited by examiner

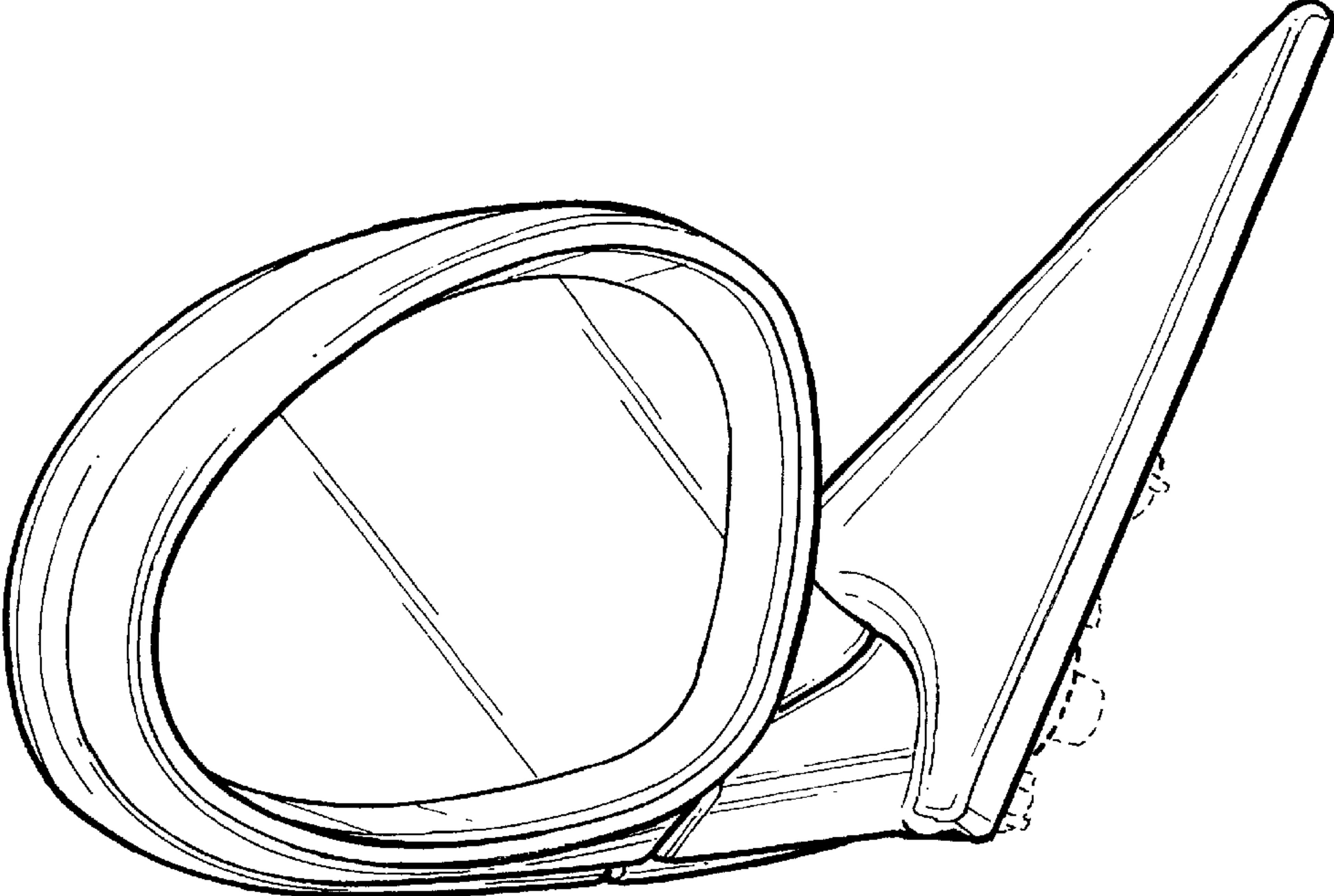


FIG. 1

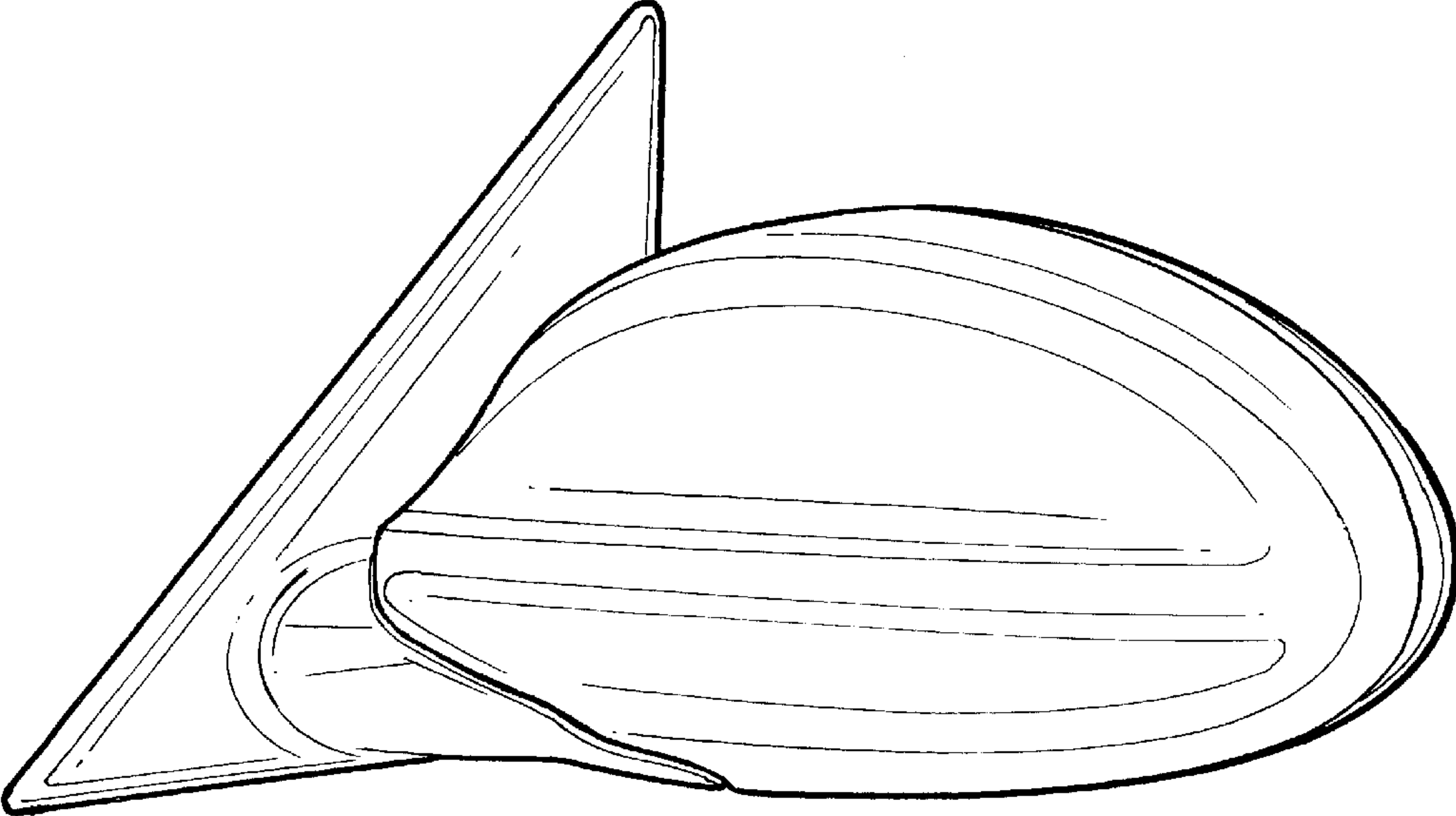


FIG. 2

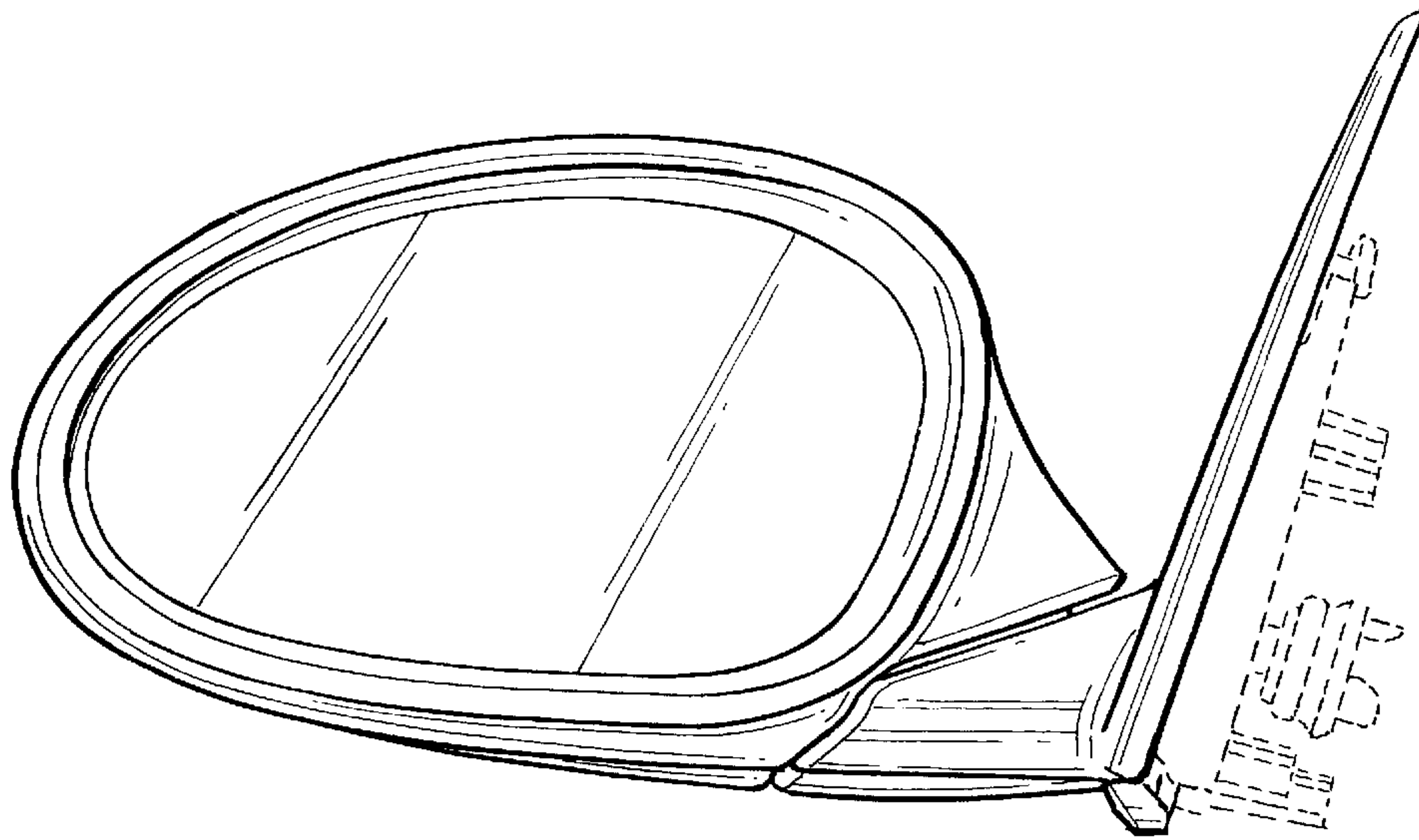


FIG. 3

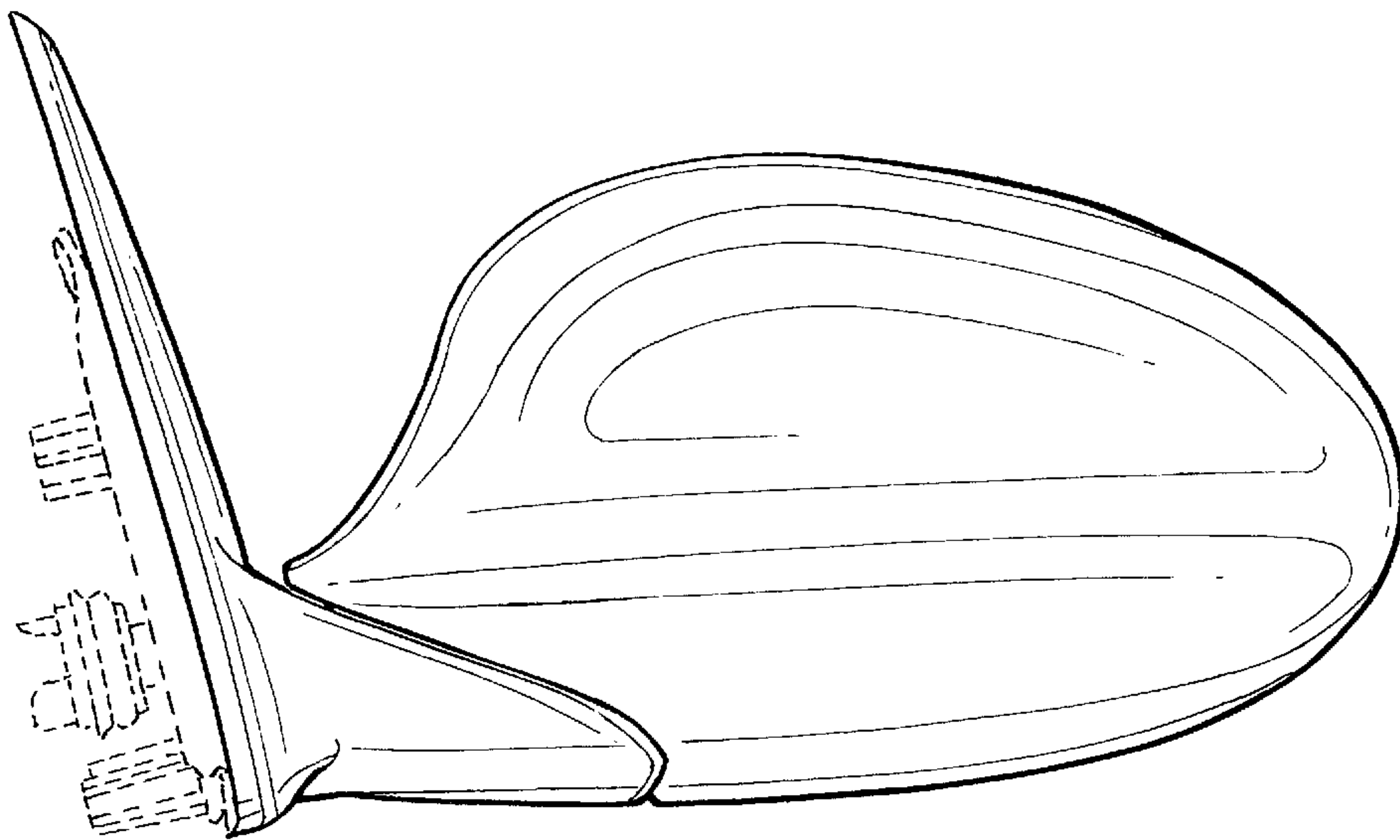


FIG. 4

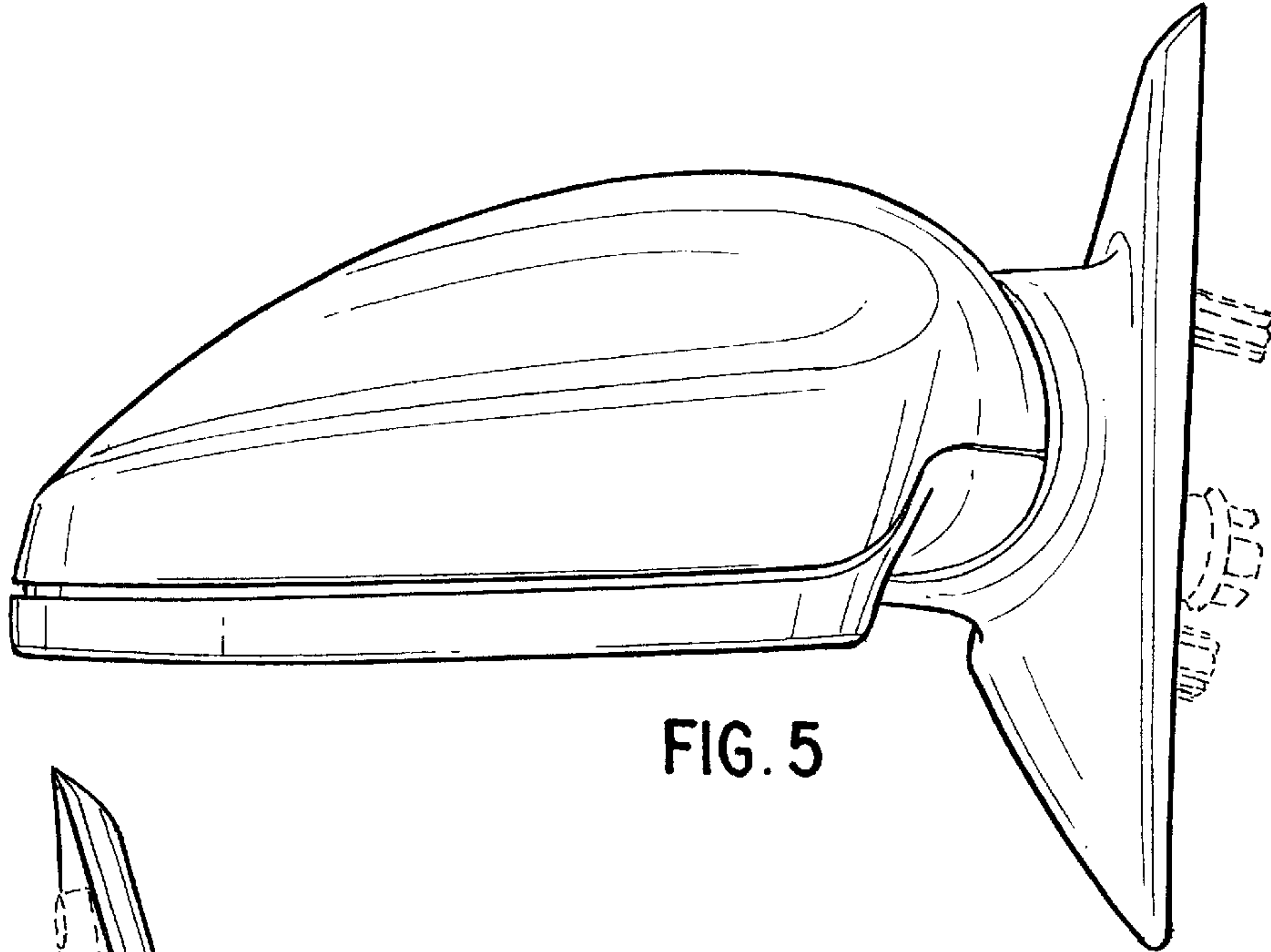


FIG. 5

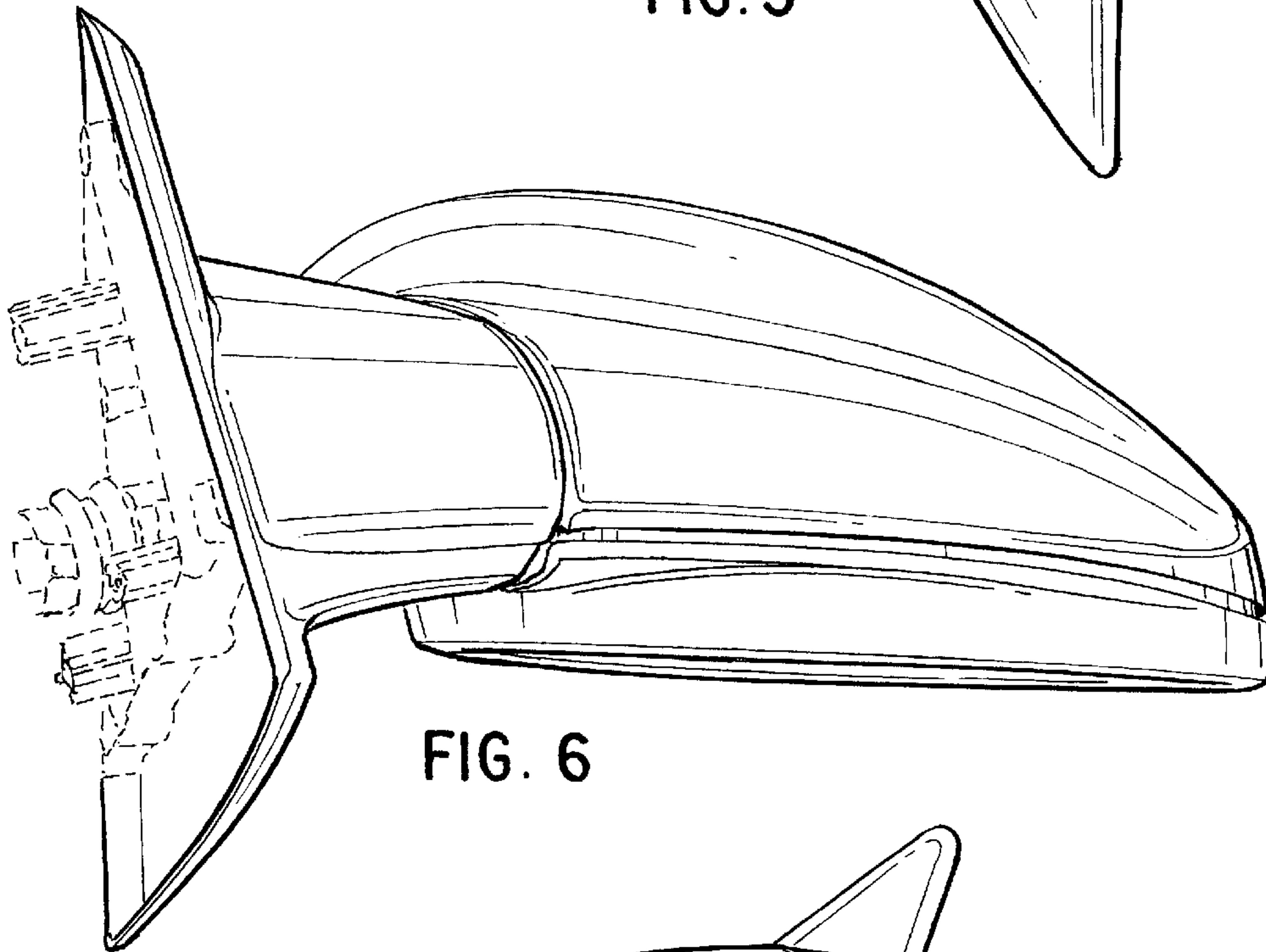


FIG. 6

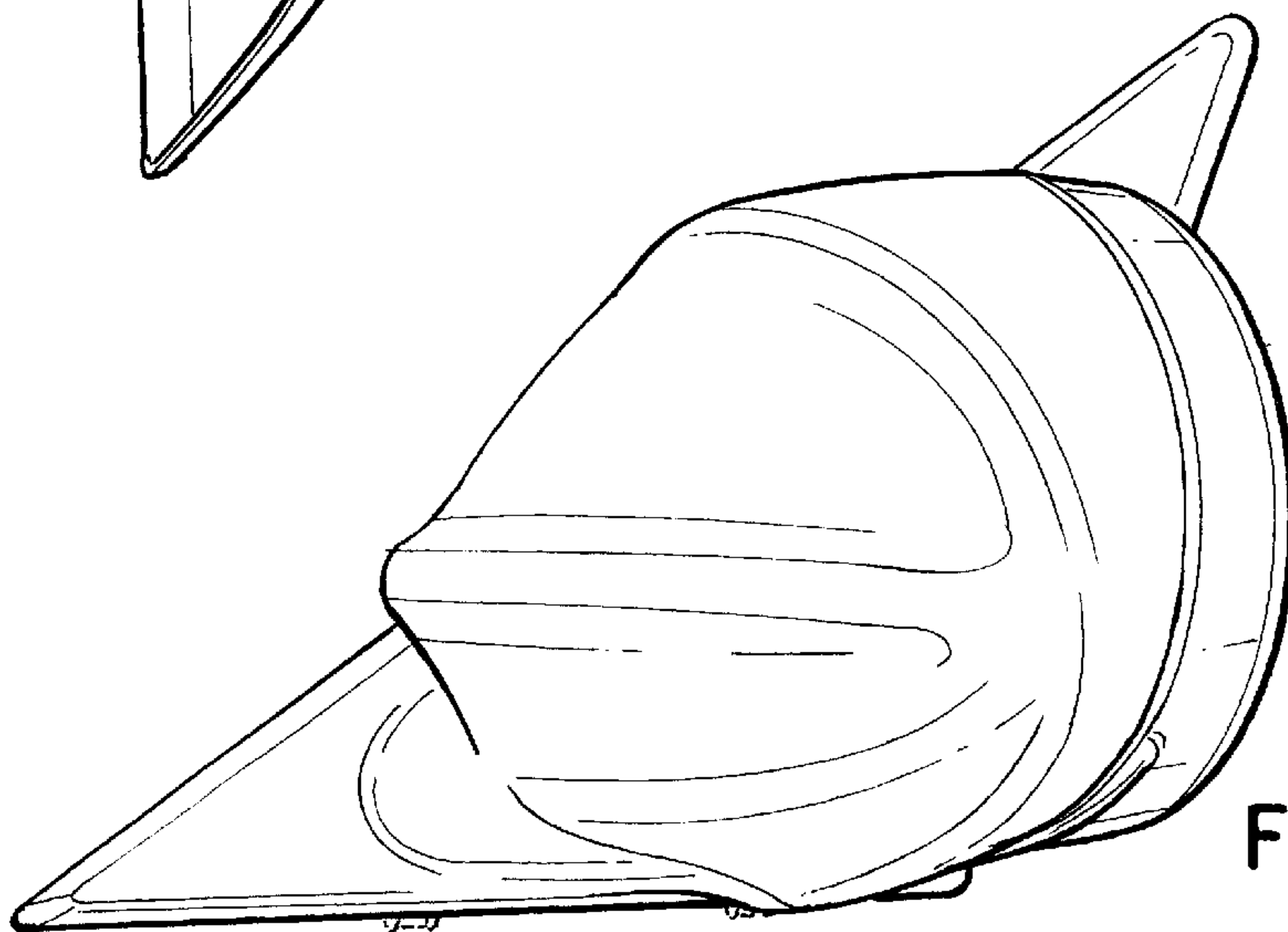


FIG. 7

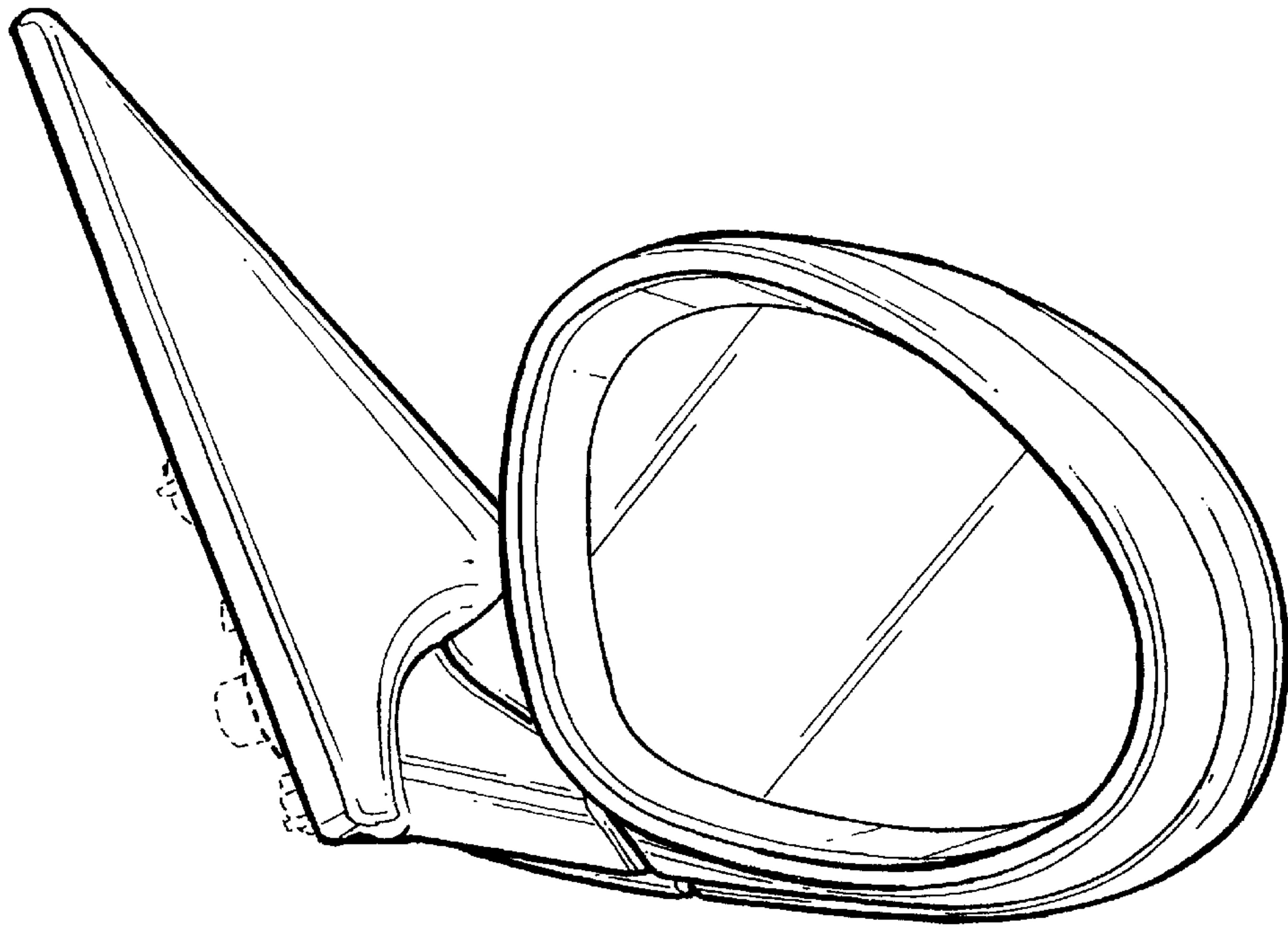


FIG. 8

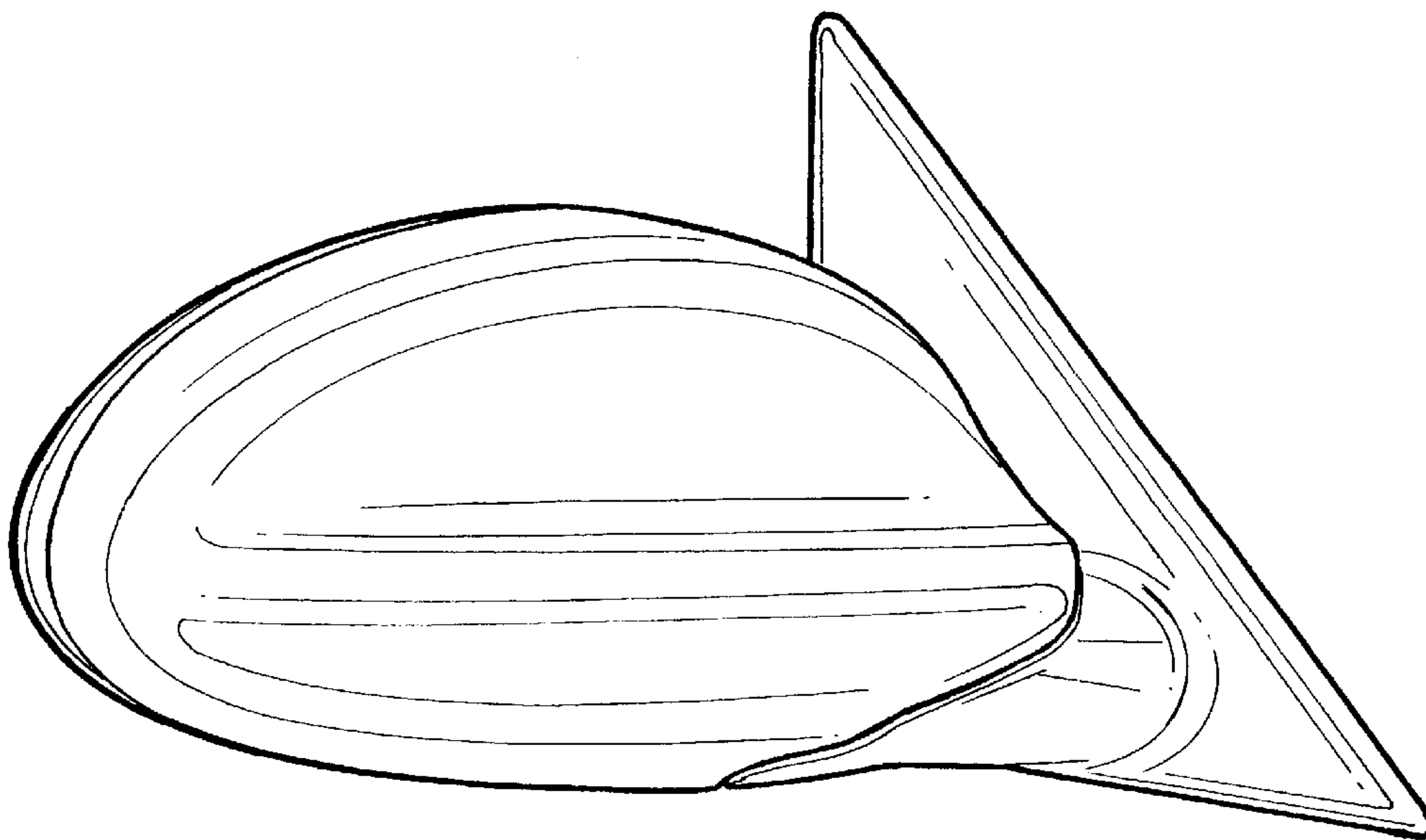


FIG. 9

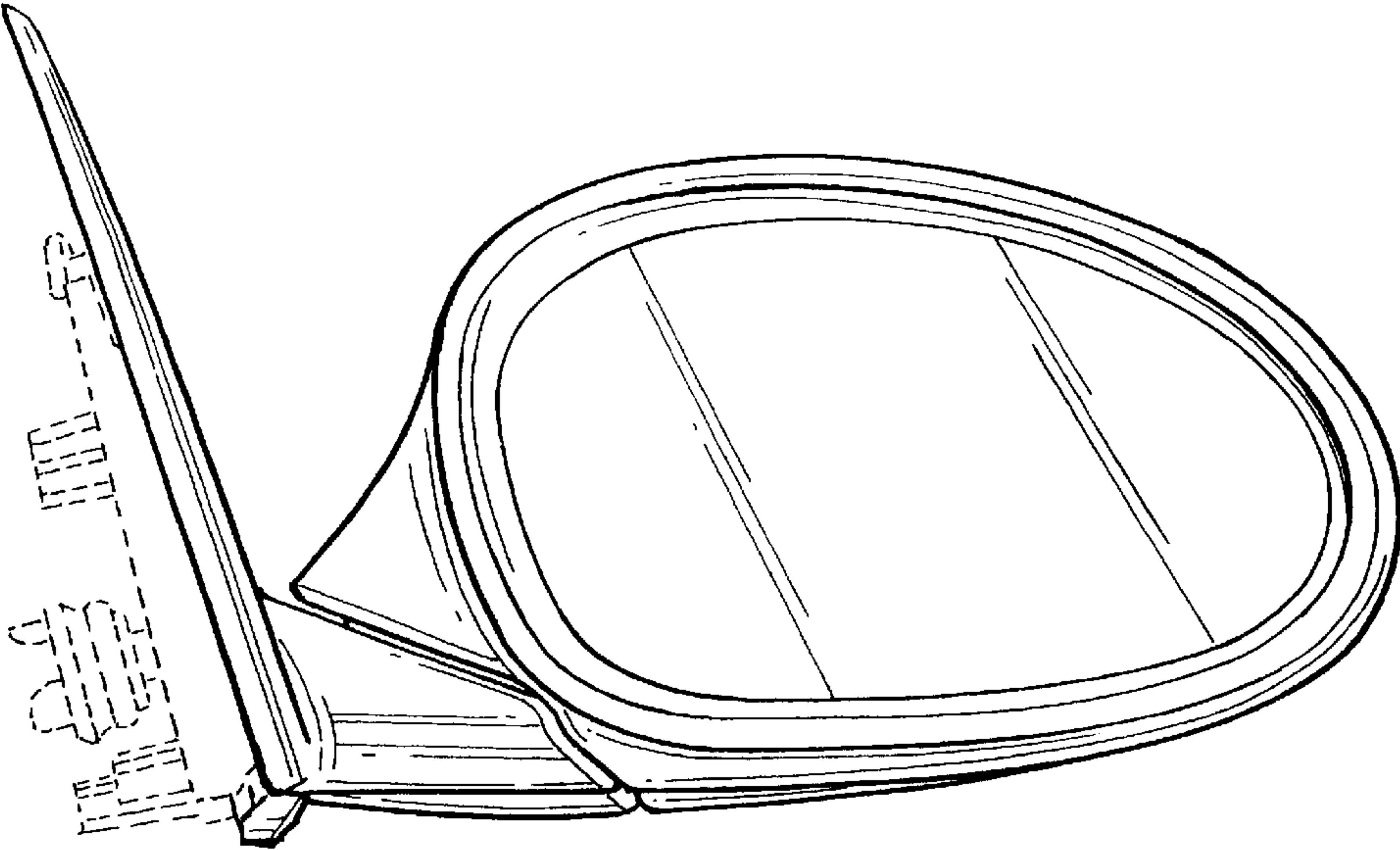


FIG. 10

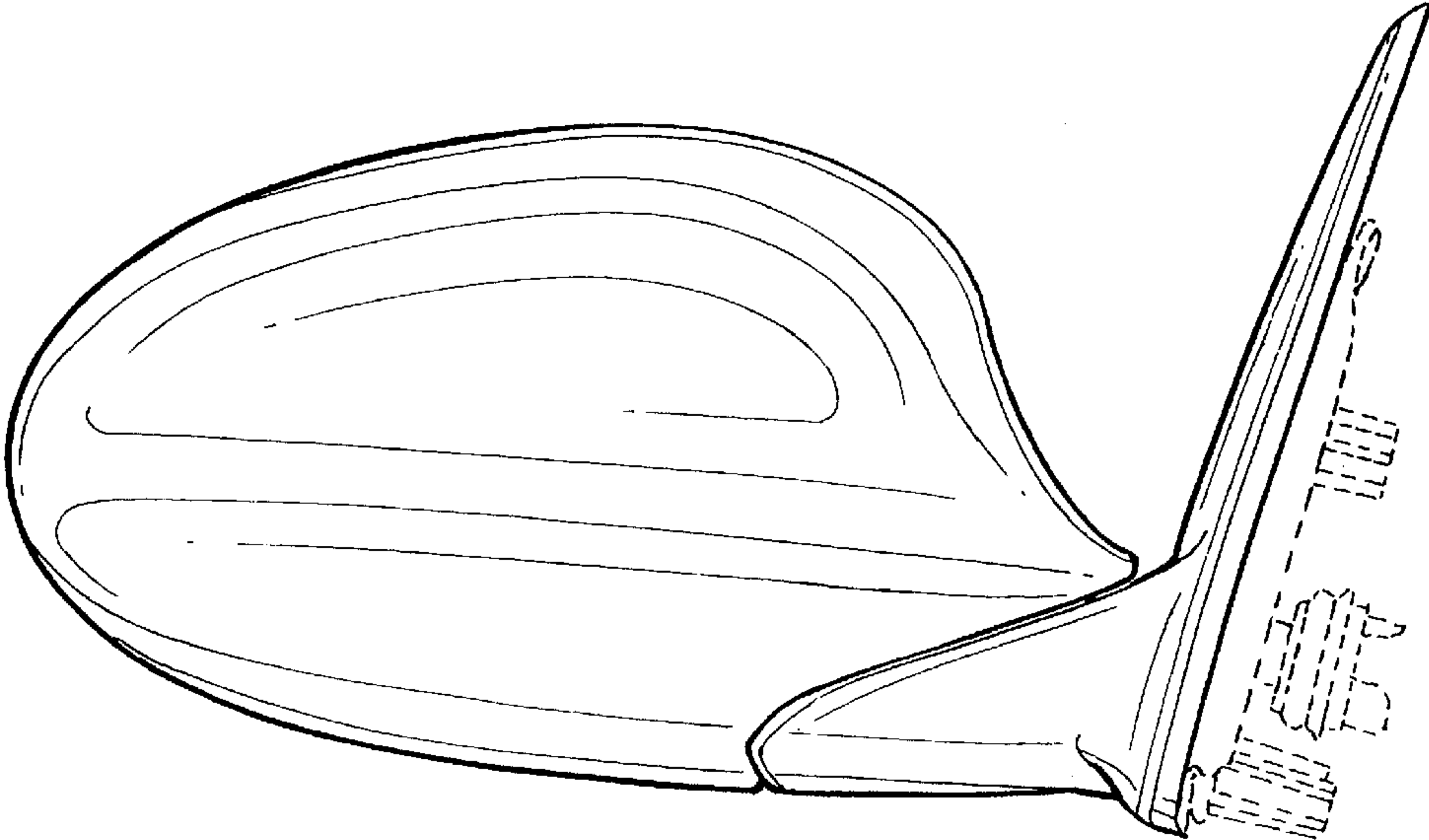


FIG. 11

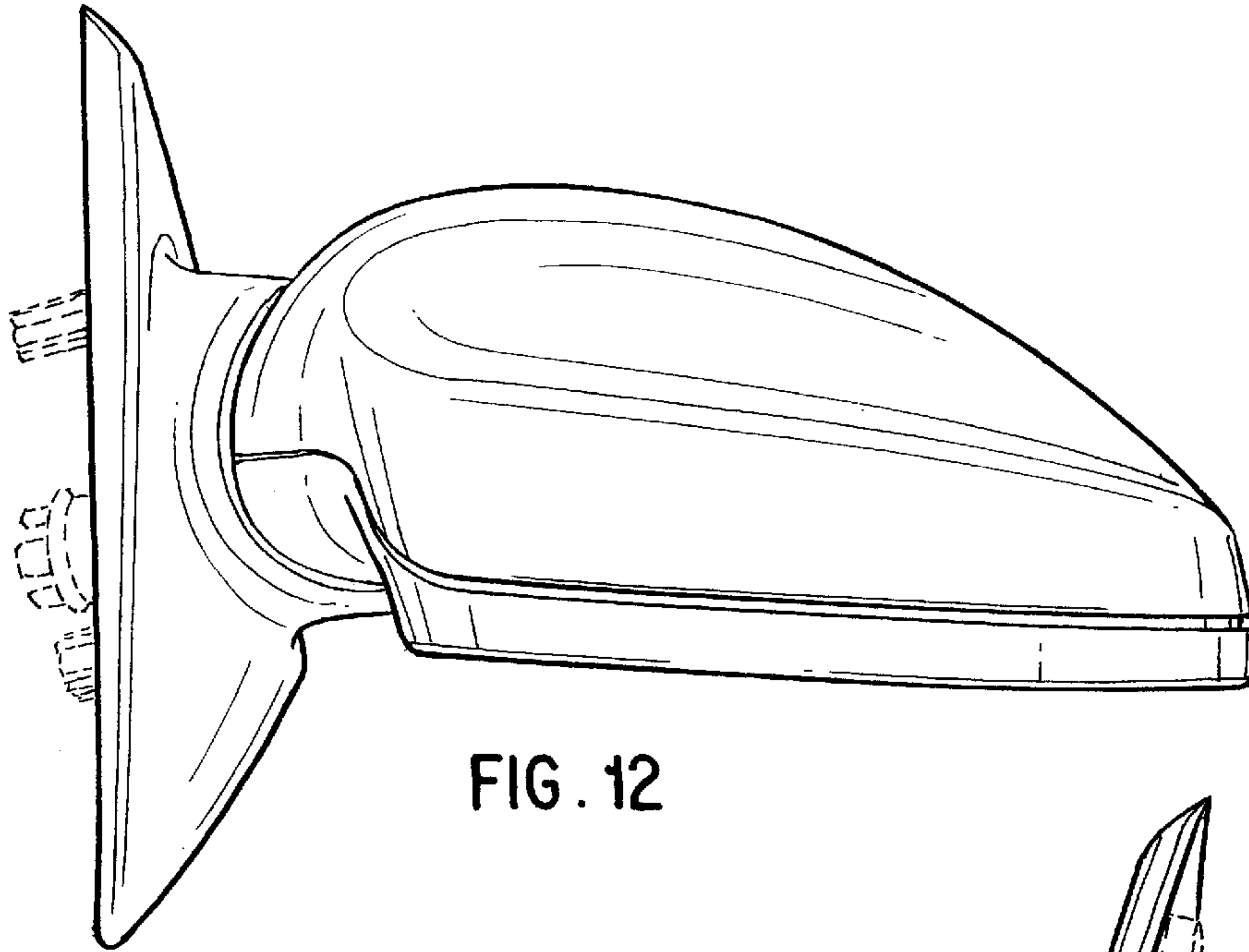


FIG. 12

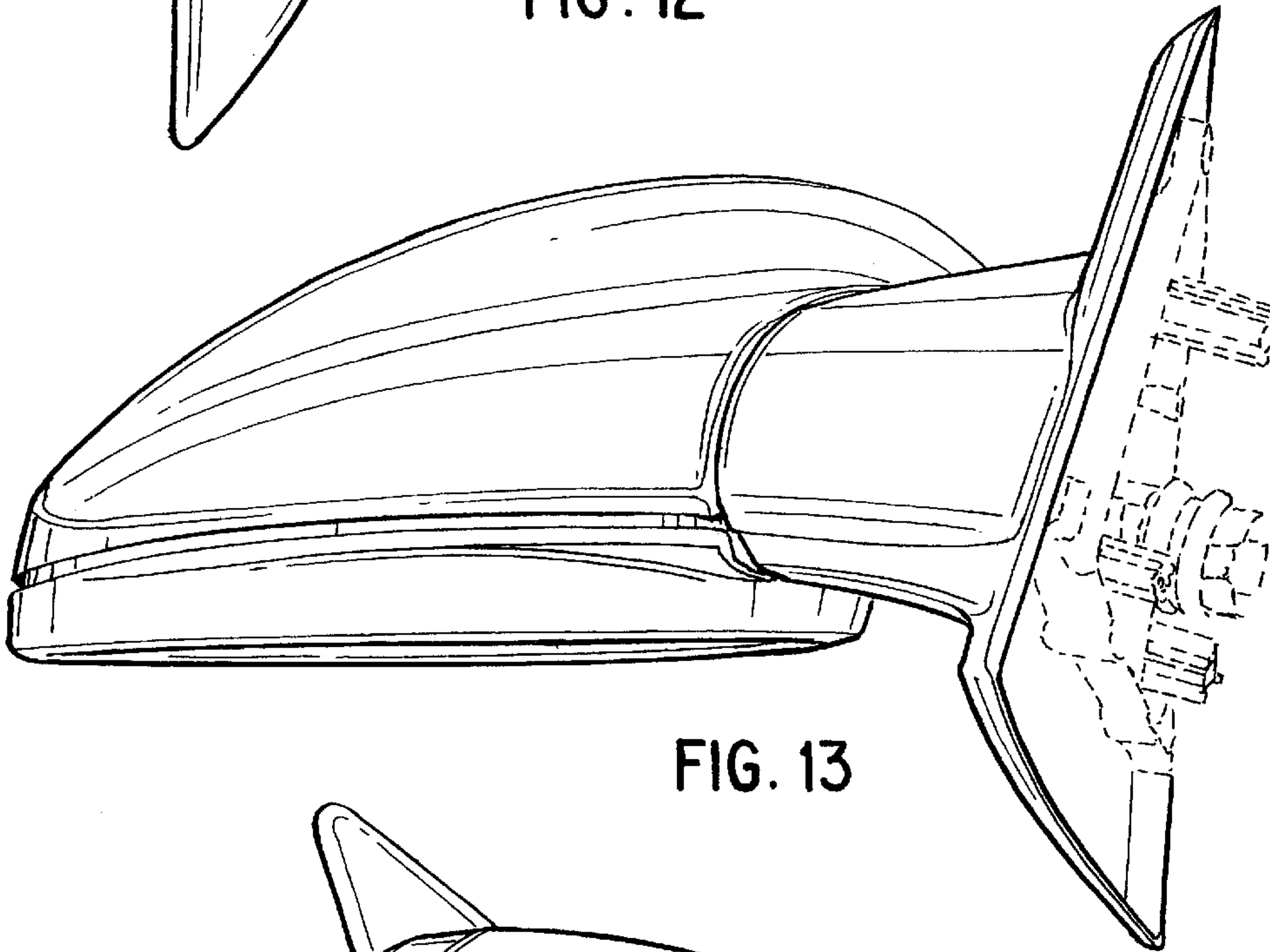


FIG. 13

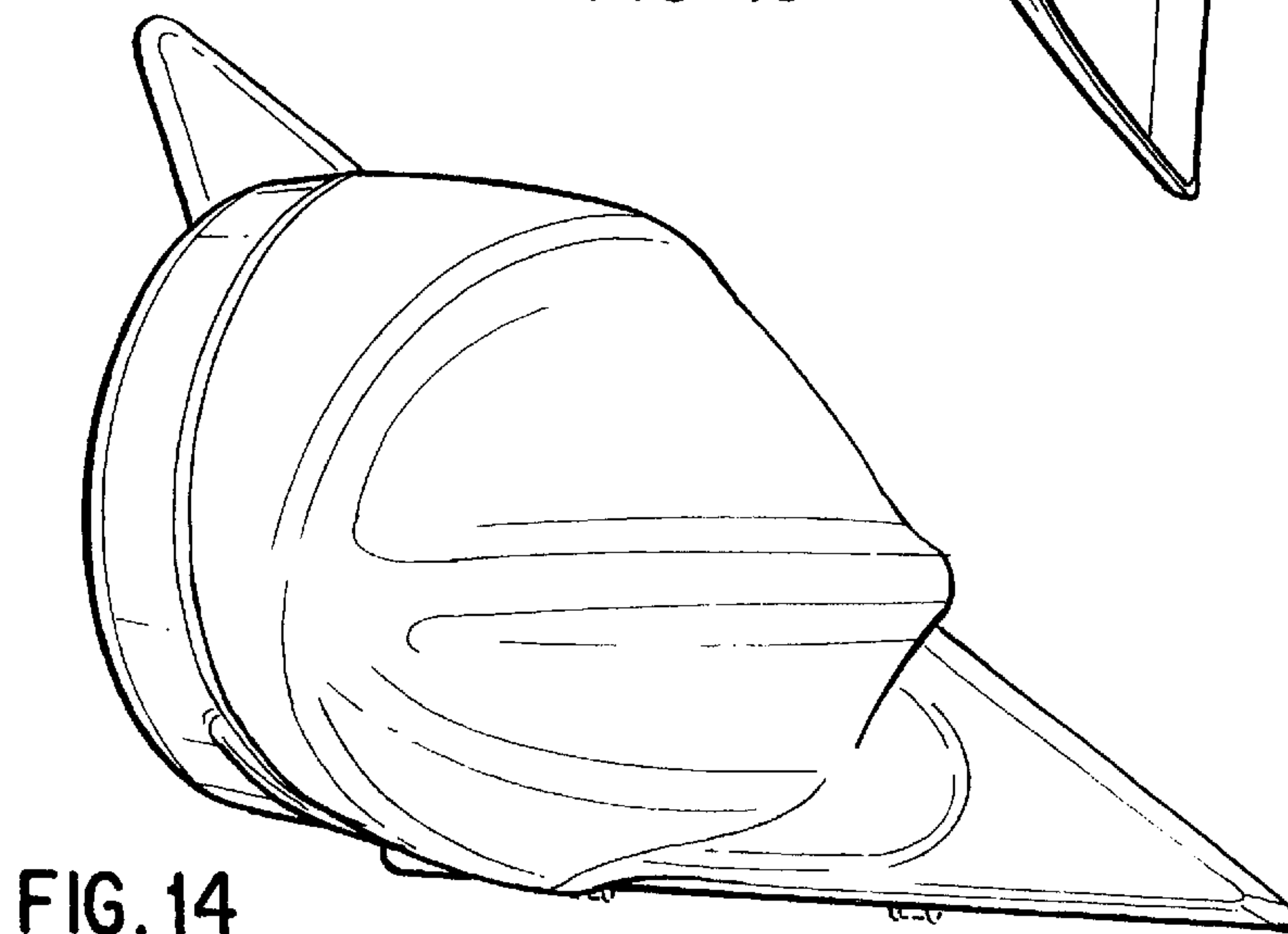


FIG. 14