



US00D516479S

(12) **United States Design Patent**
Ervolina

(10) **Patent No.:** **US D516,479 S**
(45) **Date of Patent:** **** Mar. 7, 2006**

(54) **MIRROR BRACKET**

(75) **Inventor:** **Tony J. Ervolina**, Hacienda Heights, CA (US)

(73) **Assignee:** **Street Scene Manufacturing, Inc.**, Costa Mesa, CA (US)

(**) **Term:** **14 Years**

(21) **Appl. No.:** **29/217,174**

(22) **Filed:** **Nov. 11, 2004**

(51) **LOC (8) Cl.** **12-16**

(52) **U.S. Cl.** **D12/187**

(58) **Field of Classification Search** D12/187;
D8/354, 349; 248/549, 539, 475.1; 296/146.1
See application file for complete search history.

(56) **References Cited**

U.S. PATENT DOCUMENTS

D251,662 S * 4/1979 Hutchinson et al. D12/187
6,109,586 A * 8/2000 Hoek 248/476
6,239,928 B1 * 5/2001 Whitehead et al. 359/871

FOREIGN PATENT DOCUMENTS

JP 10058979 A * 3/1998

* cited by examiner

Primary Examiner—Holly H. Baynham

(74) *Attorney, Agent, or Firm*—Jones Day

(57) **CLAIM**

The ornamental design for a mirror bracket, as shown and described.

DESCRIPTION

FIG. 1 is a rear, left side perspective view of the mirror bracket.

FIG. 2 is a front, left side perspective view of the mirror bracket.

FIG. 3 is a right side view of the mirror bracket.

FIG. 4 is a front elevational view of the mirror bracket.

FIG. 5 is a top plan view of the mirror bracket.

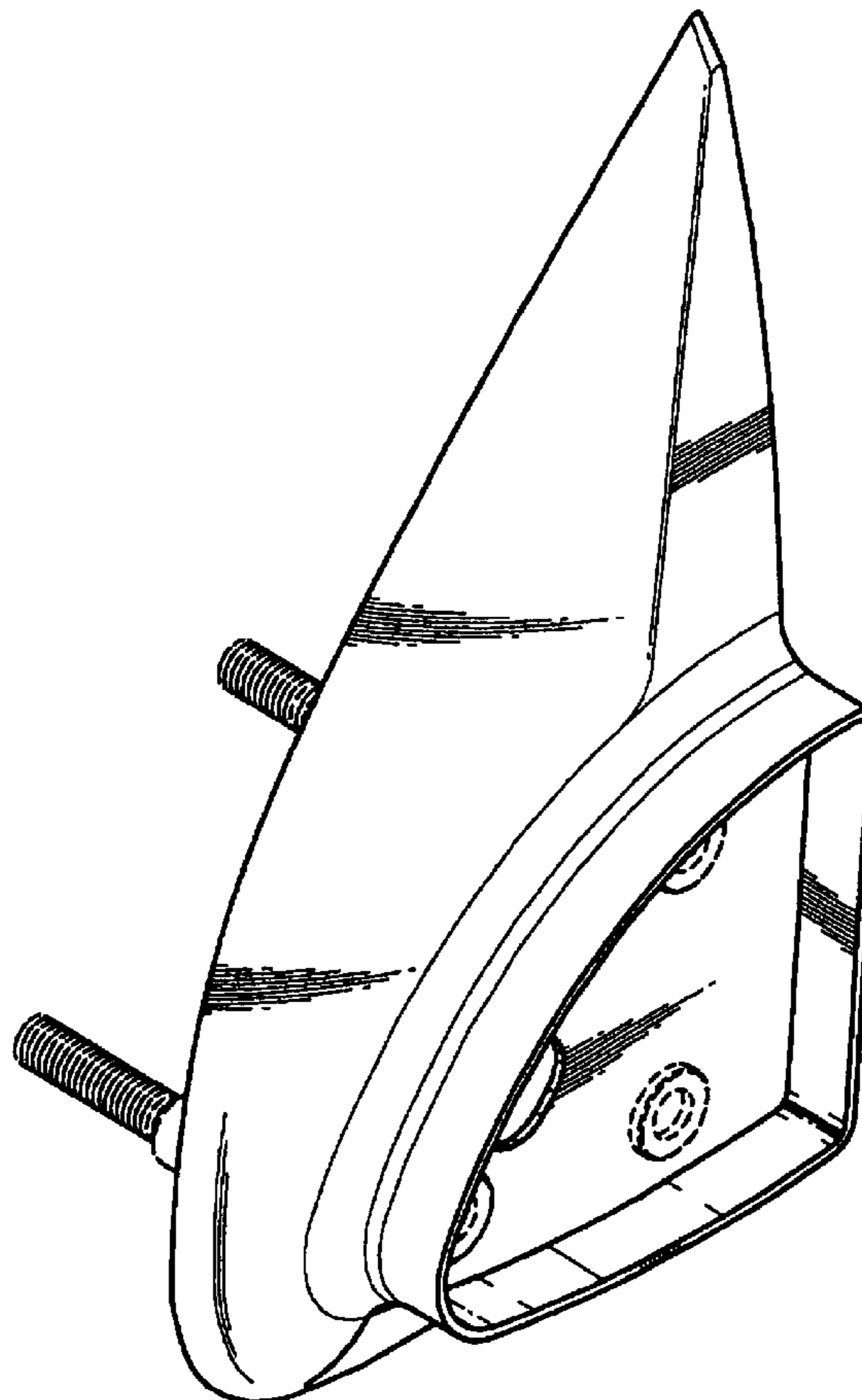
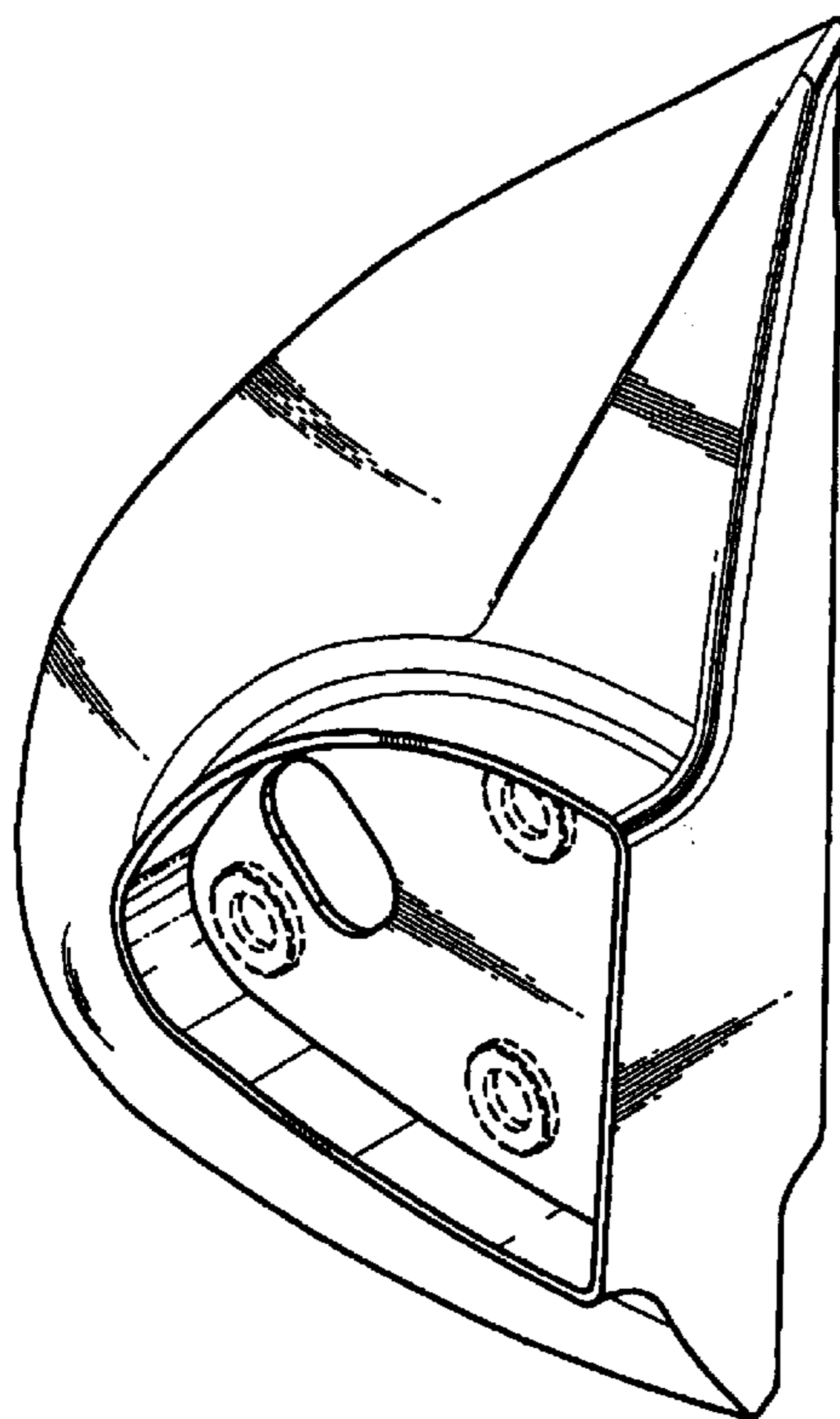
FIG. 6 is a left side view of the mirror bracket.

FIG. 7 is a rear elevational view of the mirror bracket; and,

FIG. 8 is a bottom plan view of the mirror bracket.

The broken line showing of bracket structure is for illustrative purposes only and forms no part of the claimed design.

1 Claim, 3 Drawing Sheets



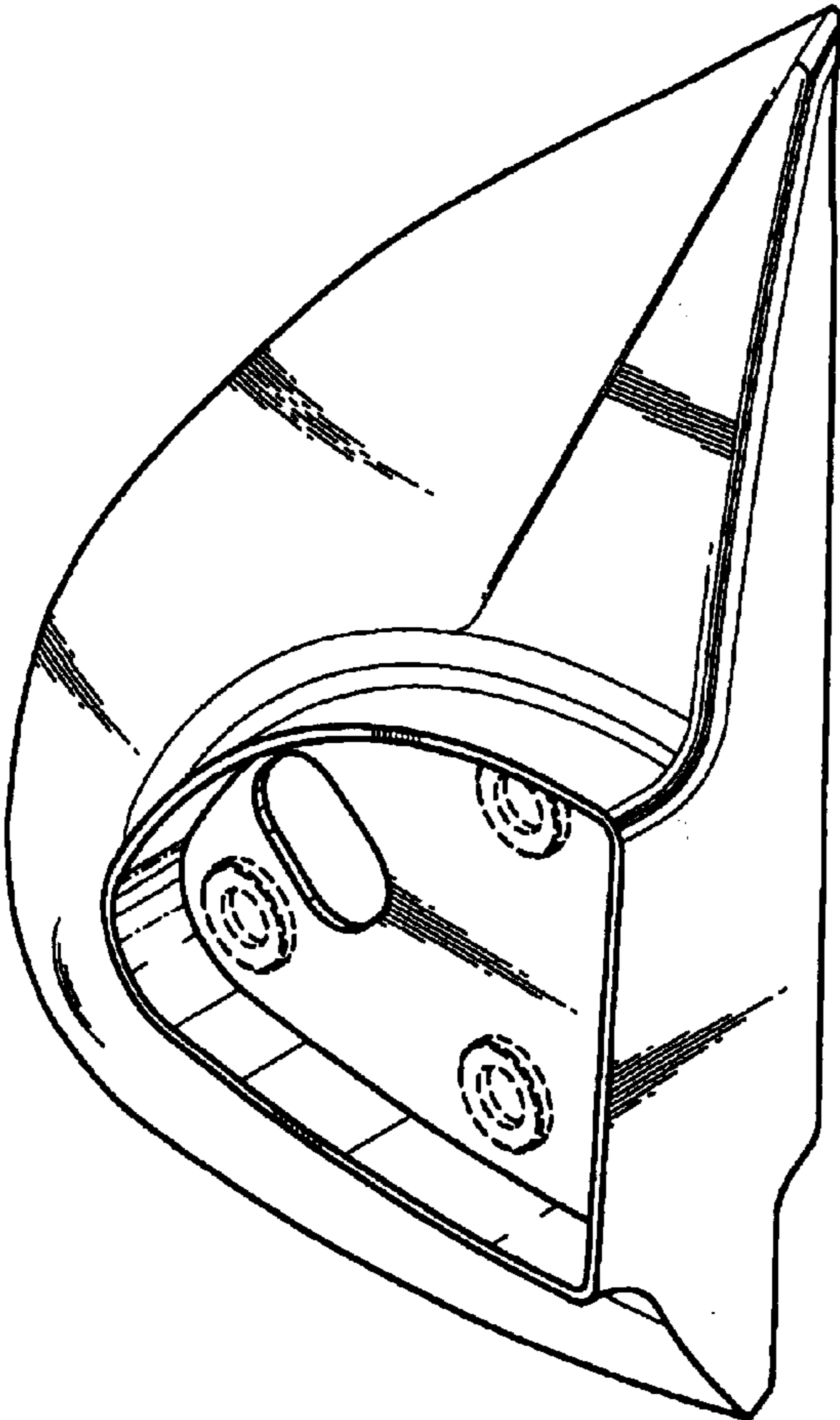


FIG. 1

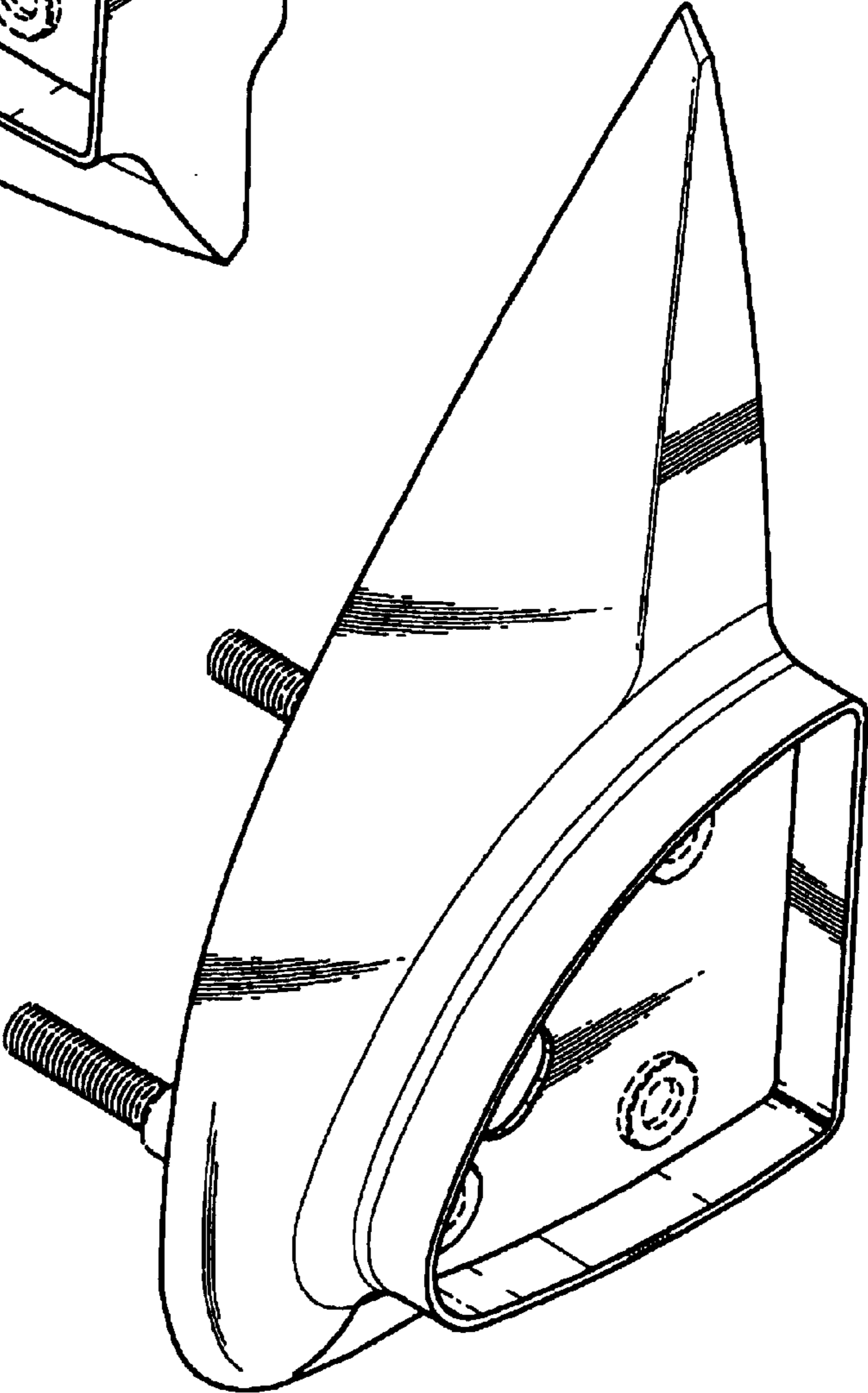


FIG. 2

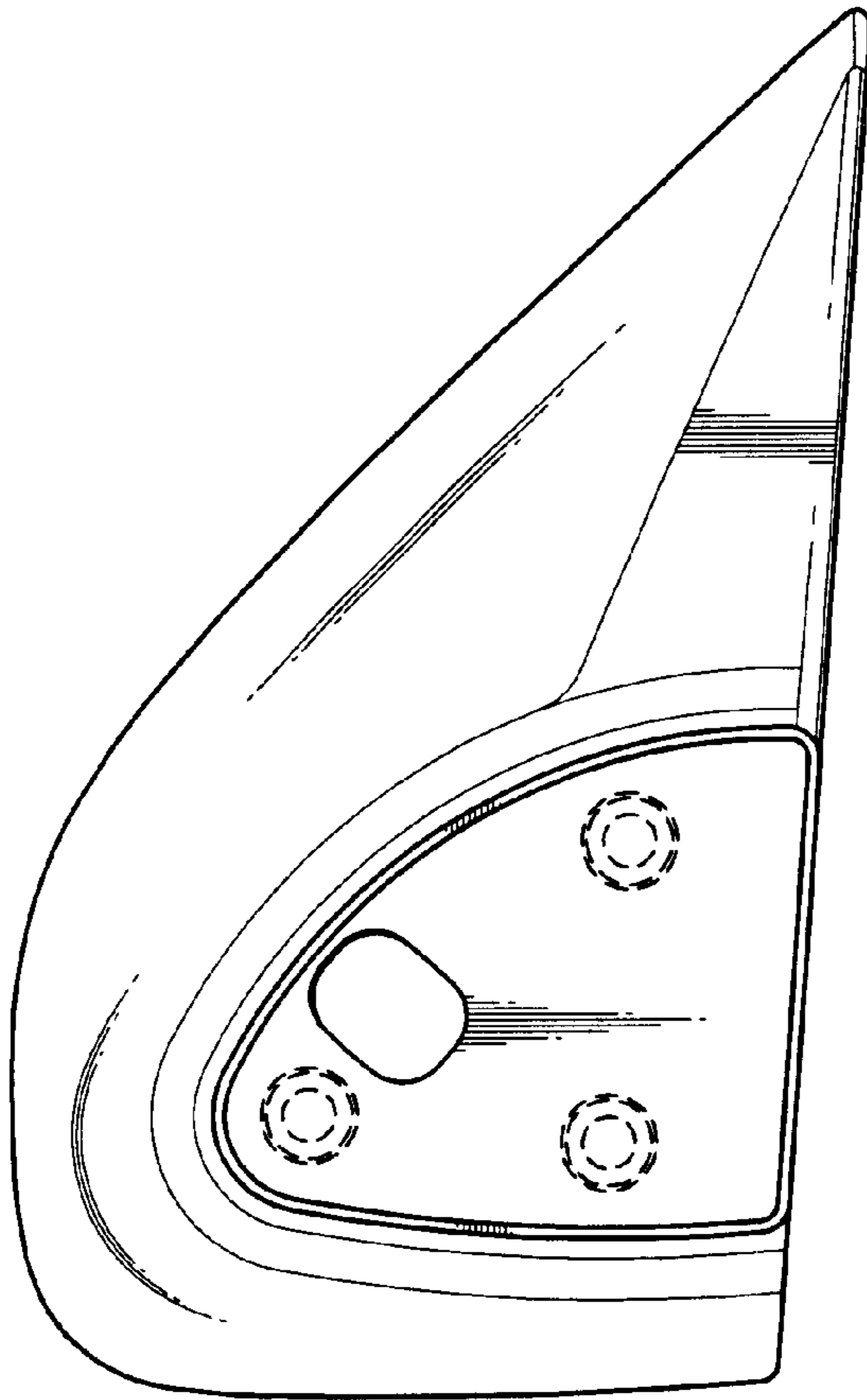


FIG. 3

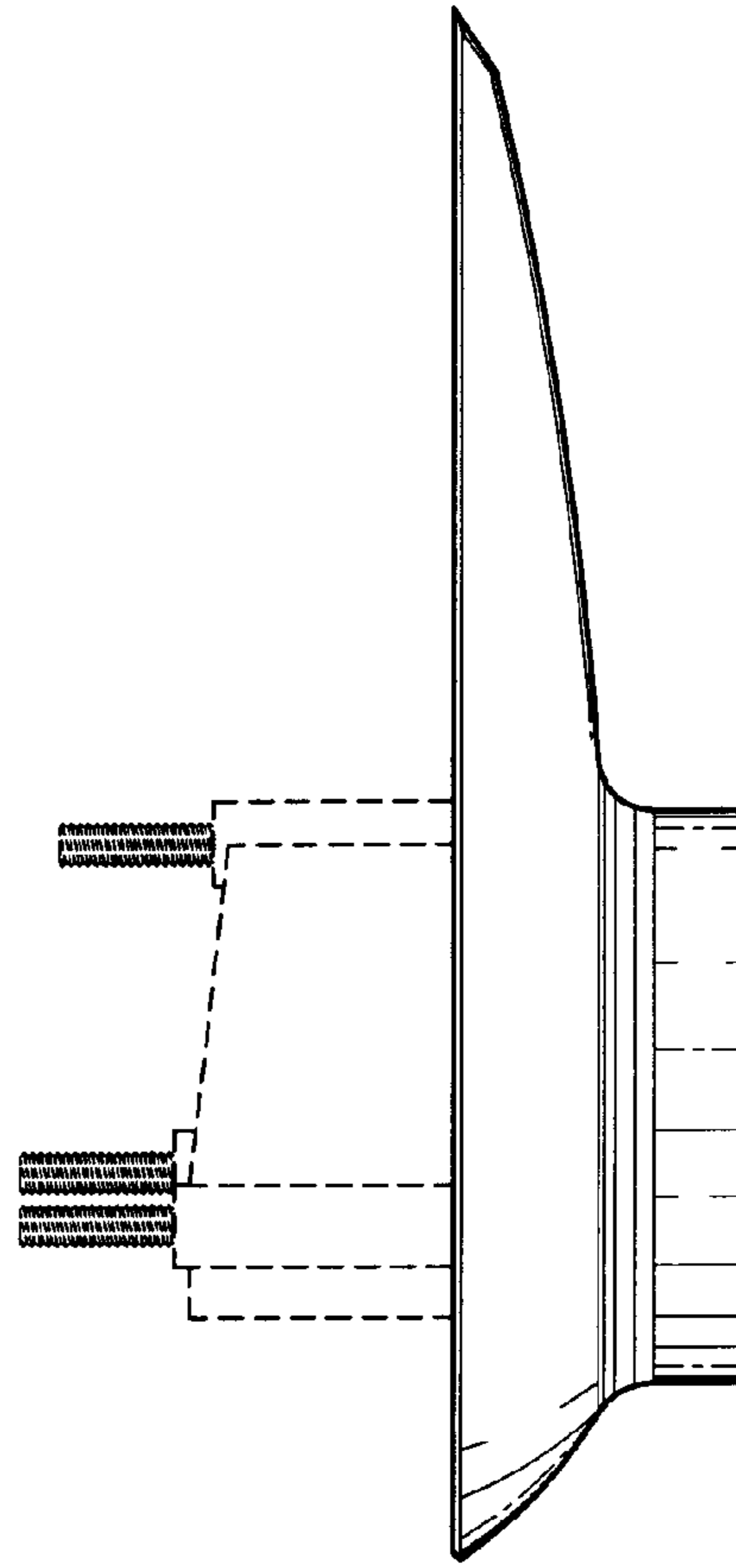


FIG. 4

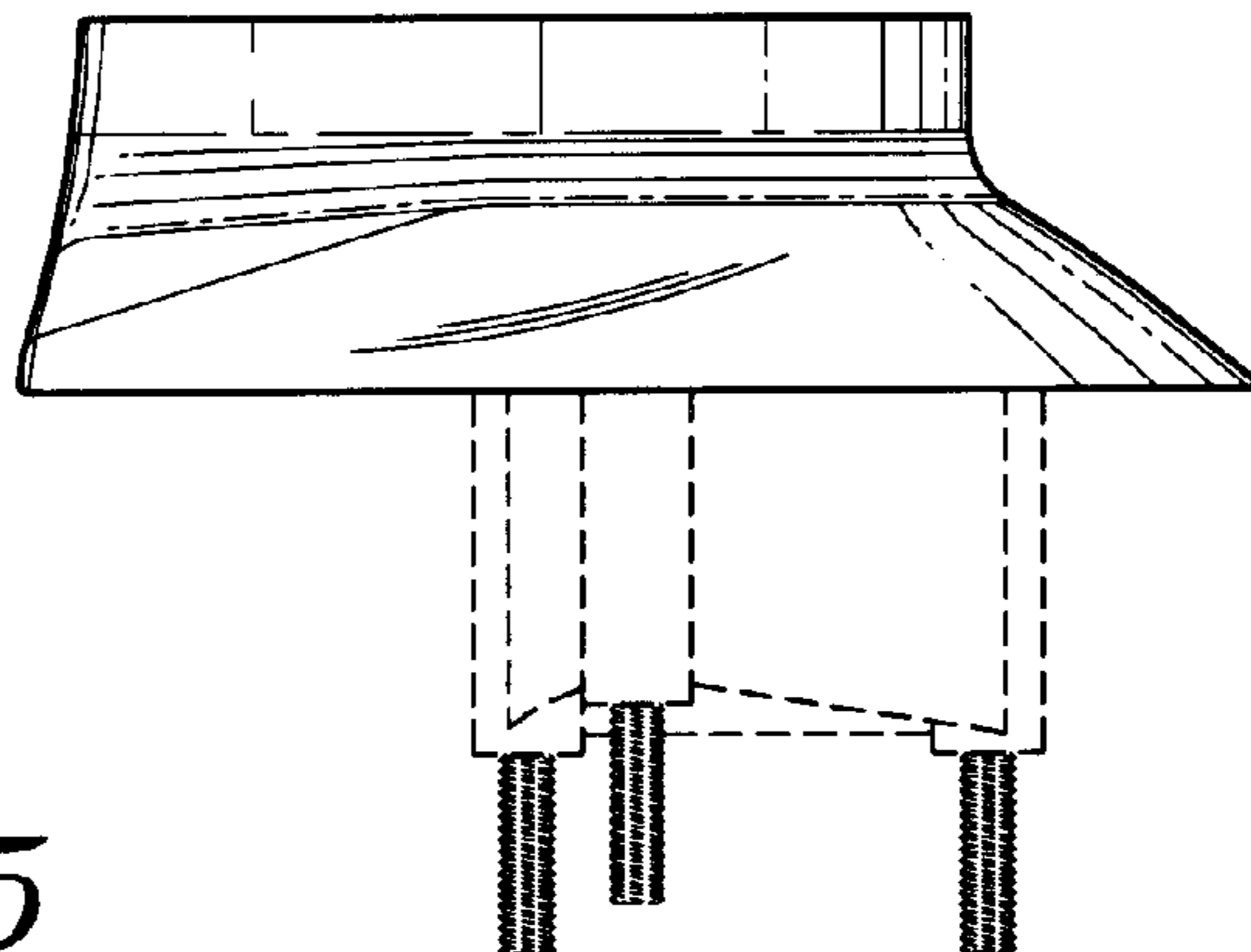


FIG. 5

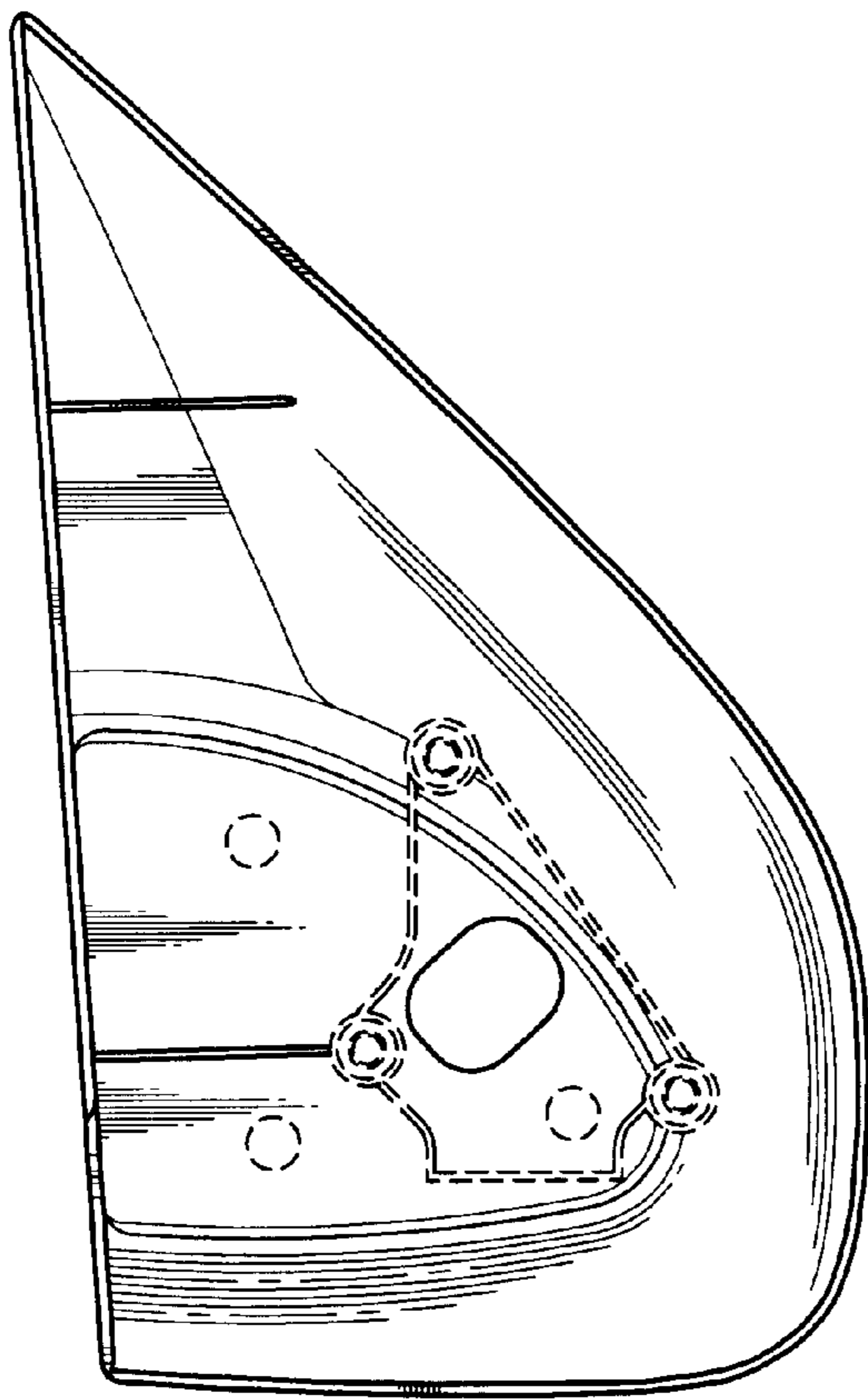


FIG. 6

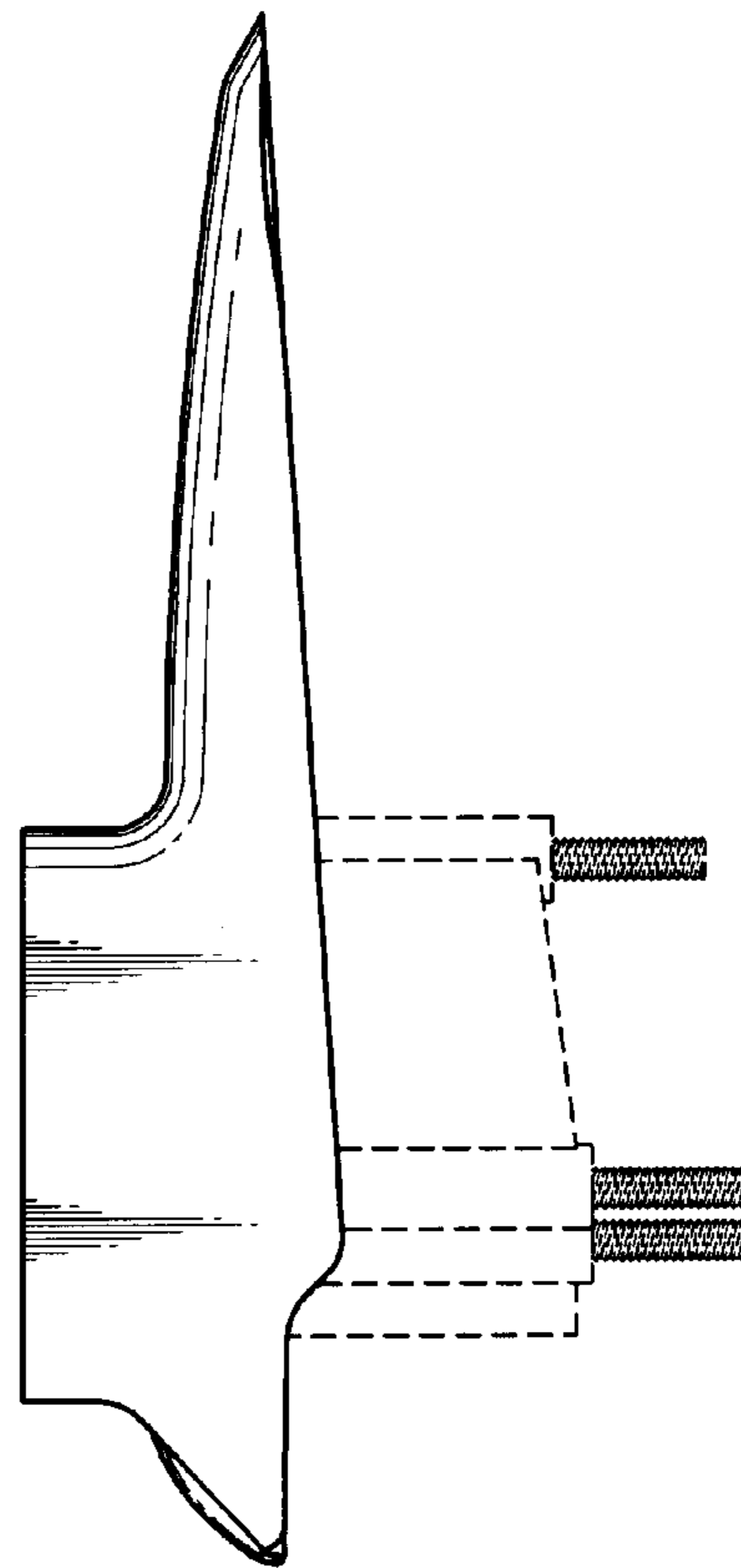


FIG. 7

FIG. 8

