

US00D516477S

(12) **United States Design Patent**
Tomasson et al.

(10) **Patent No.:** **US D516,477 S**
(45) **Date of Patent:** **** Mar. 7, 2006**

(54) **FRONT SURFACE CONFIGURATION OF AN
AUTOMOTIVE STEERING WHEEL**

(75) Inventors: **Kris Tomasson**, Corona del Mar, CA
(US); **Jeremy Leng**, Laguna Beach, CA
(US)

(73) Assignee: **Ford Global Technologies**, Dearborn,
MI (US)

(**) Term: **14 Years**

(21) Appl. No.: **29/220,783**

(22) Filed: **Jan. 6, 2005**

(51) **LOC (8) Cl.** **12-16**

(52) **U.S. Cl.** **D12/176**

(58) **Field of Classification Search** D12/175-177;
74/552, 558, 558.5

See application file for complete search history.

(56) **References Cited**

U.S. PATENT DOCUMENTS

5,438,314 A	8/1995	Evans
5,469,338 A	11/1995	Sims
5,555,502 A	9/1996	Opel
D398,569 S	9/1998	Sacco et al.
5,823,666 A	10/1998	Kingsolver
5,855,144 A	1/1999	Parada
D420,963 S	2/2000	Conterno
6,034,600 A	3/2000	Browne et al.
D440,915 S	4/2001	Kagawa et al.
6,373,472 B1	4/2002	Palalau et al.
D462,039 S	8/2002	Larocque

D463,337 S	*	9/2002	Boulay et al.	D12/176
D464,298 S	*	10/2002	Bartholomai et al.	D12/176
D467,529 S		12/2002	Ramos et al.		
D472,858 S	*	4/2003	Pfeiffer et al.	D12/176
D475,665 S		6/2003	Pfeiffer et al.		
D476,607 S		7/2003	Stern et al.		
D476,930 S	*	7/2003	Sieghart	D12/176
D480,668 S		10/2003	Ohm et al.		
6,703,999 B1		3/2004	Iwanami et al.		
D499,366 S		12/2004	Habib		
D500,028 S	*	12/2004	Hoehn et al.	D12/176
D502,903 S		3/2005	Hebert et al.		
2002/0104705 A1		8/2002	Kuhn, Jr.		
2002/0158448 A1		10/2002	Okonkwo		

* cited by examiner

Primary Examiner—Melody N. Brown

(74) *Attorney, Agent, or Firm*—Frank A. MacKenzie

(57) **CLAIM**

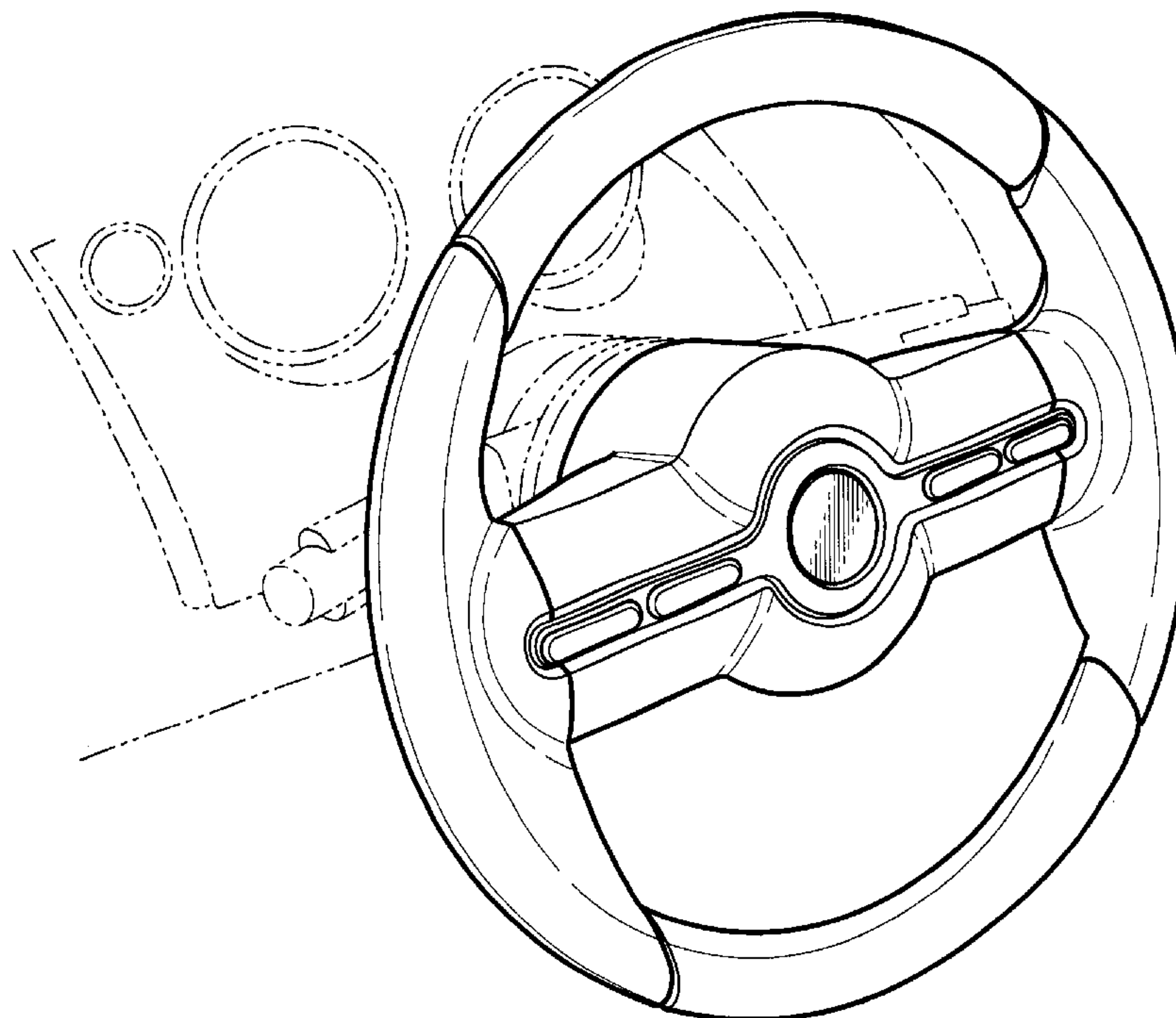
The ornamental design for an front surface configuration of an automotive steering wheel, as shown and described.

DESCRIPTION

FIG. 1 is a front perspective view of an front surface configuration of an automotive steering wheel in accordance with the present invention; and, FIG. 2 is a left side perspective view of the front surface configuration of an automotive steering wheel of FIG. 1, wherein a right side perspective view is a mirror image thereof.

The broken lines are for illustrative purposes only and form no part of the claimed design.

1 Claim, 1 Drawing Sheet



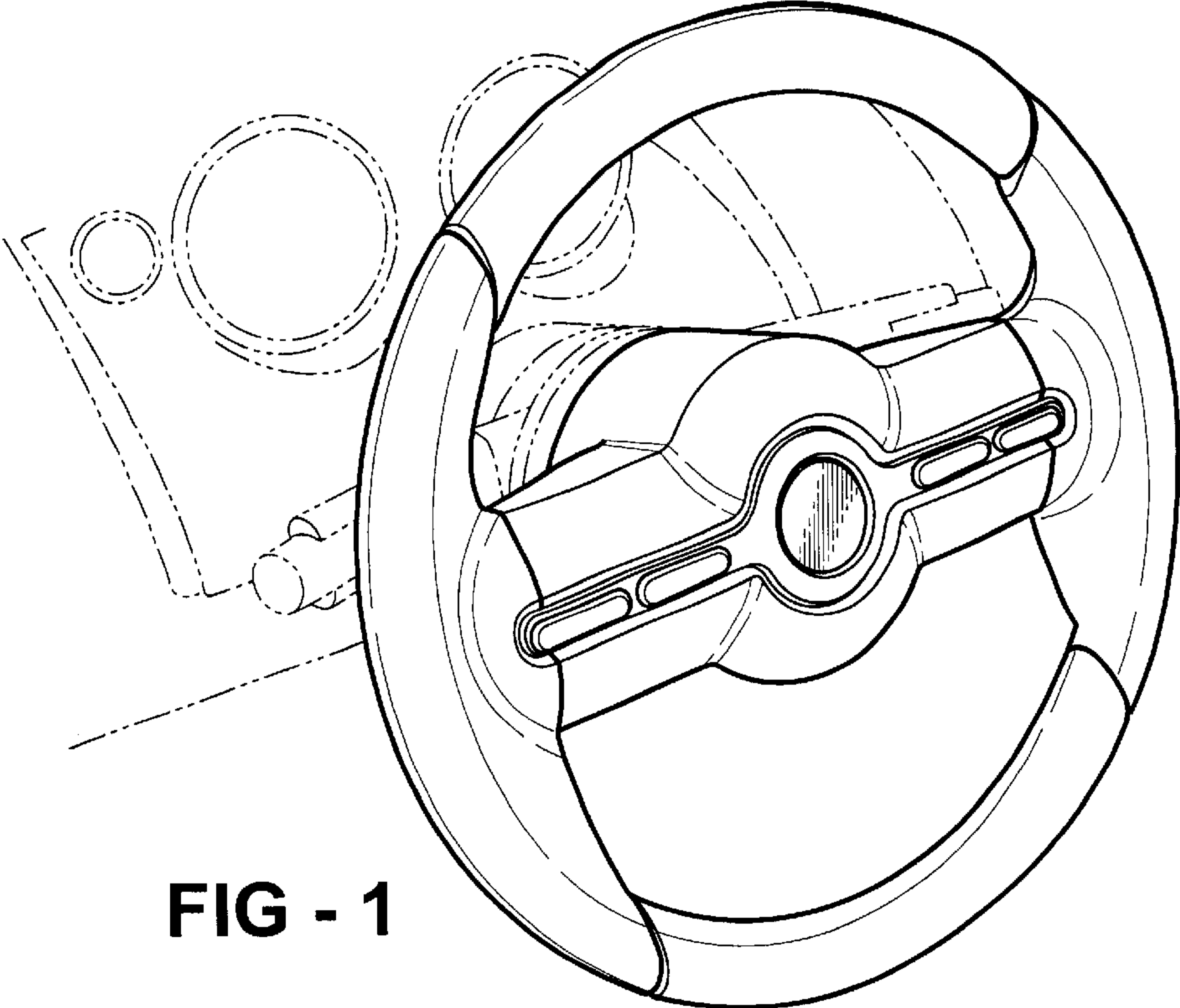


FIG - 1

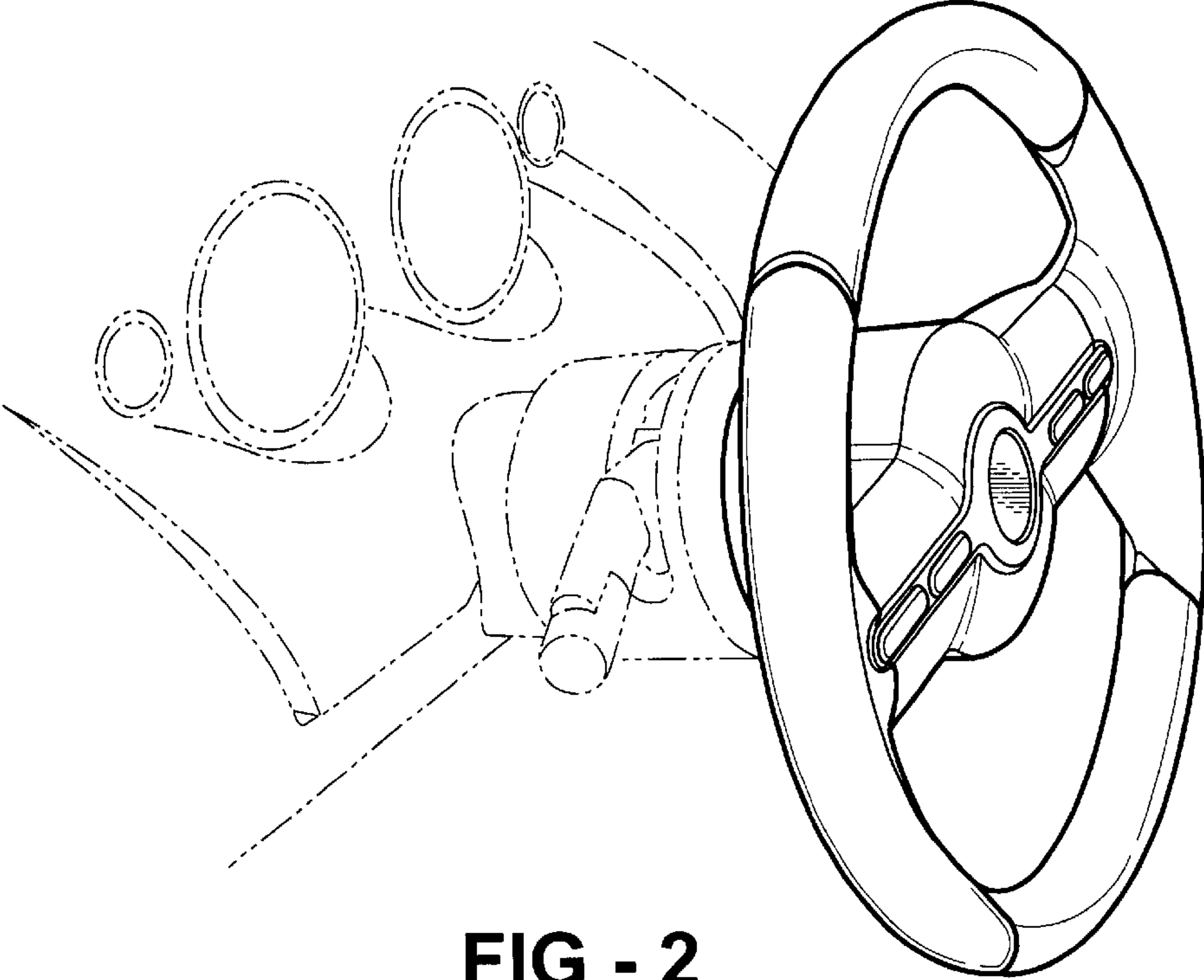


FIG - 2