



US00D516475S

(12) **United States Design Patent** (10) **Patent No.:** **US D516,475 S**  
**Iwasaki et al.** (45) **Date of Patent:** **\*\* Mar. 7, 2006**

(54) **BUMPER FOR AN AUTOMOBILE**  
 (75) Inventors: **Ken Iwasaki**, Tokyo (JP); **Jin Won Kim**, Newport Beach, CA (US)  
 (73) Assignee: **Toyota Jidosha Kabushiki Kaisha** (JP)  
 (\*\*) Term: **14 Years**

Daimler Chrysler, JEEP RESCUE 2004, Car Styling, Mar. 31, 2004, p. 15.  
 General Motors, HUMMER H3T 2004, 4x4 Magazine, Mar. 1, 2004.  
 General Motors, HUMMER H3T 2004, Car Styling, Mar. 31, 2004, p. 37.

\* cited by examiner

(21) Appl. No.: **29/221,967**  
 (22) Filed: **Jan. 24, 2005**

*Primary Examiner*—Melody N. Brown  
 (74) *Attorney, Agent, or Firm*—Saidman DesignLaw Group

(51) **LOC (8) Cl.** ..... **12-16**  
 (52) **U.S. Cl.** ..... **D12/169**  
 (58) **Field of Classification Search** ..... D12/90–92,  
 D12/86, 169, 196, 163; 296/180.1, 180.2;  
 293/102, 113, 115, 117, 120  
 See application file for complete search history.

(57) **CLAIM**

The ornamental design for a bumper for an automobile, as shown and described.

**DESCRIPTION**

(56) **References Cited**

**U.S. PATENT DOCUMENTS**

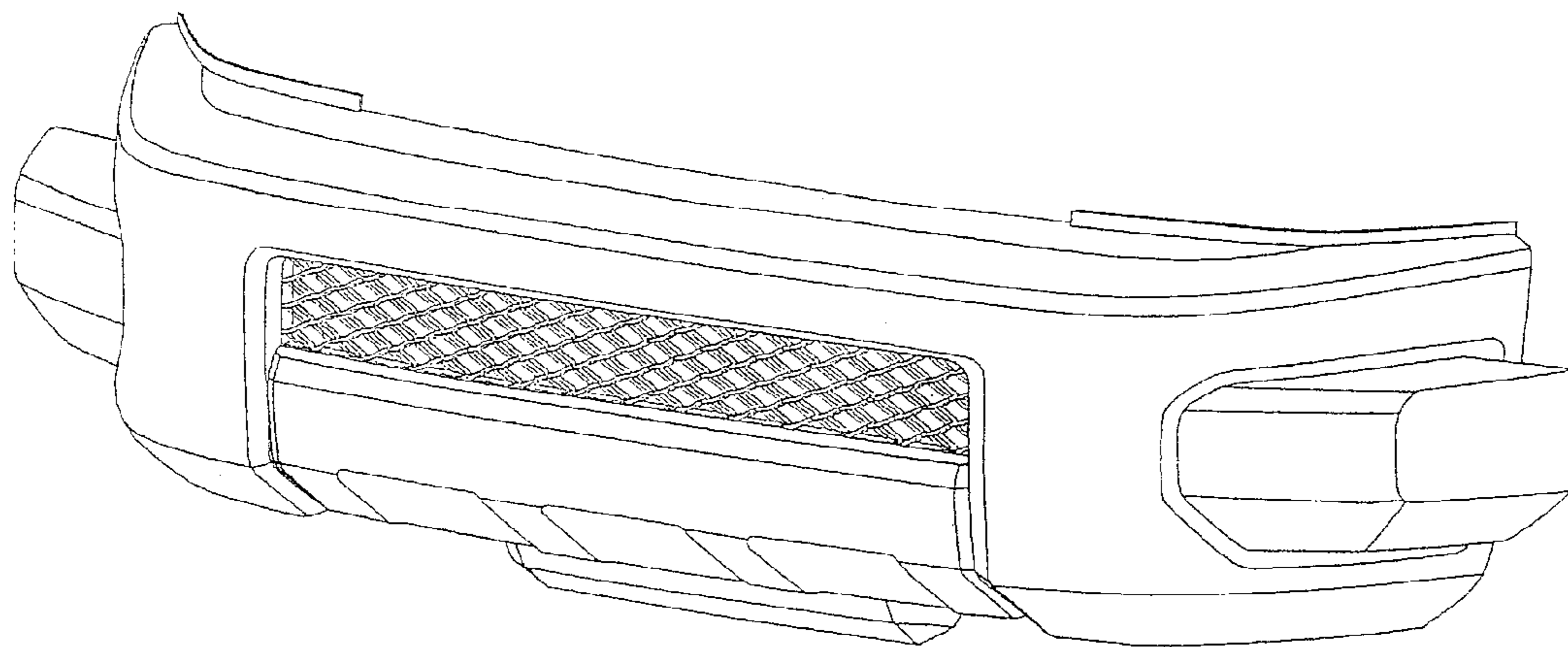
D484,443 S	*	12/2003	Hattori	.....	D12/169
D488,749 S	*	4/2004	Ikuma et al.	.....	D12/169
D497,124 S	*	10/2004	Platto et al.	.....	D12/169
D497,335 S	*	10/2004	Bird et al.	.....	D12/169
D497,853 S	*	11/2004	Yanase	.....	D12/169
D503,134 S	*	3/2005	Pfeiffer et al.	.....	D12/169

**OTHER PUBLICATIONS**

GM, Hummer H2, Consumer Reports Sport Utility Special 2003, p. 73.  
 Daimler Chrysler, JEEP RESCUE 2004, 4x4 Magazine, Mar. 1, 2004, p. 32.

FIG. 1 is a perspective view of a bumper for an automobile showing our new design;  
 FIG. 2 is a front view thereof;  
 FIG. 3 is a rear view thereof;  
 FIG. 4 is a top view thereof;  
 FIG. 5 is a bottom view thereof; and,  
 FIG. 6 is a right-side view thereof, the left-side view being a mirror image.

**1 Claim, 2 Drawing Sheets**



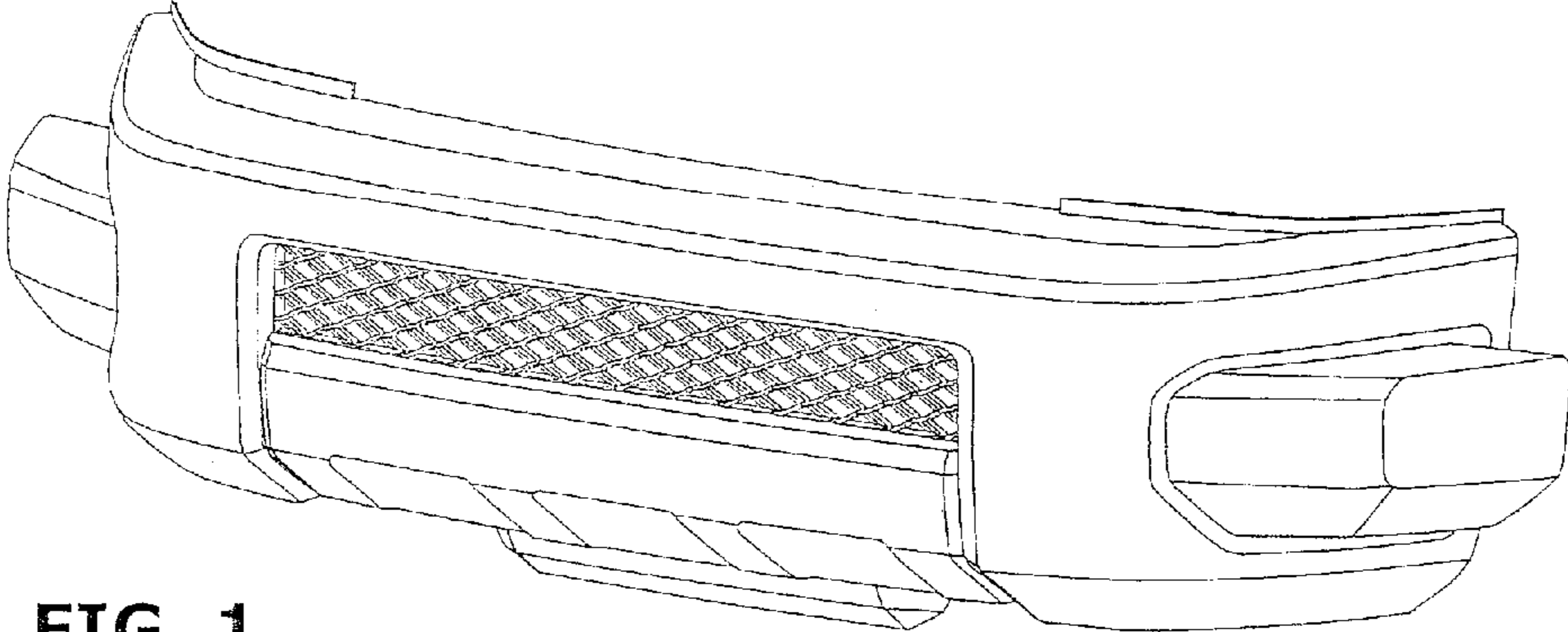


FIG. 1

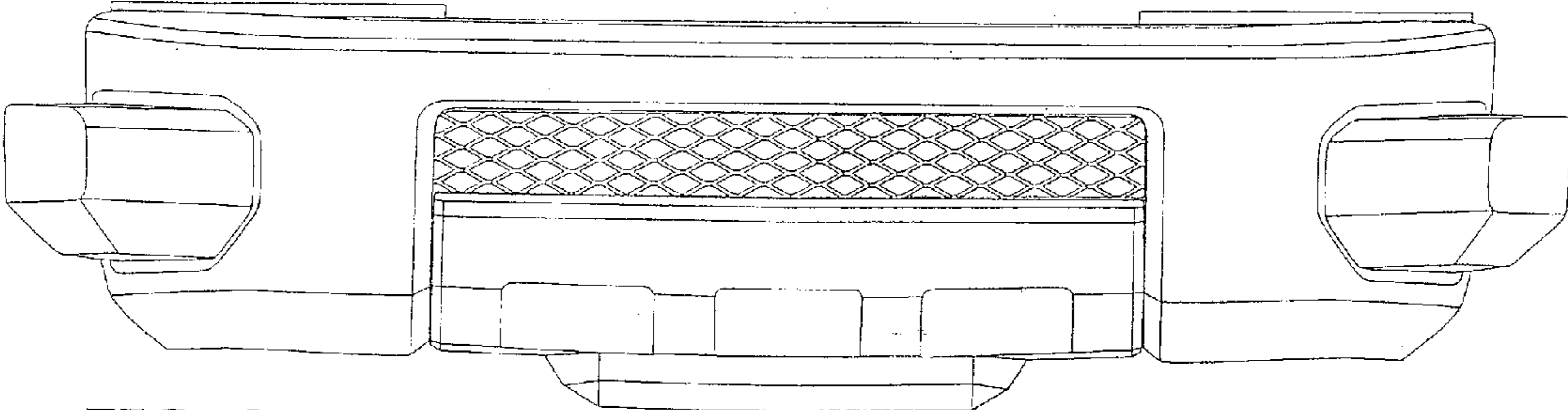


FIG. 2

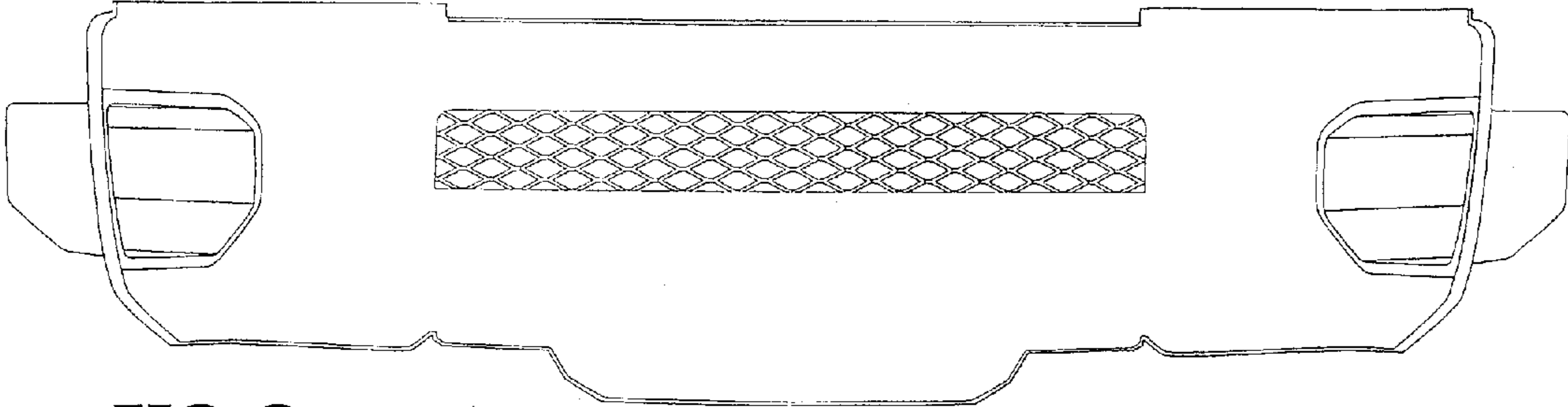


FIG. 3

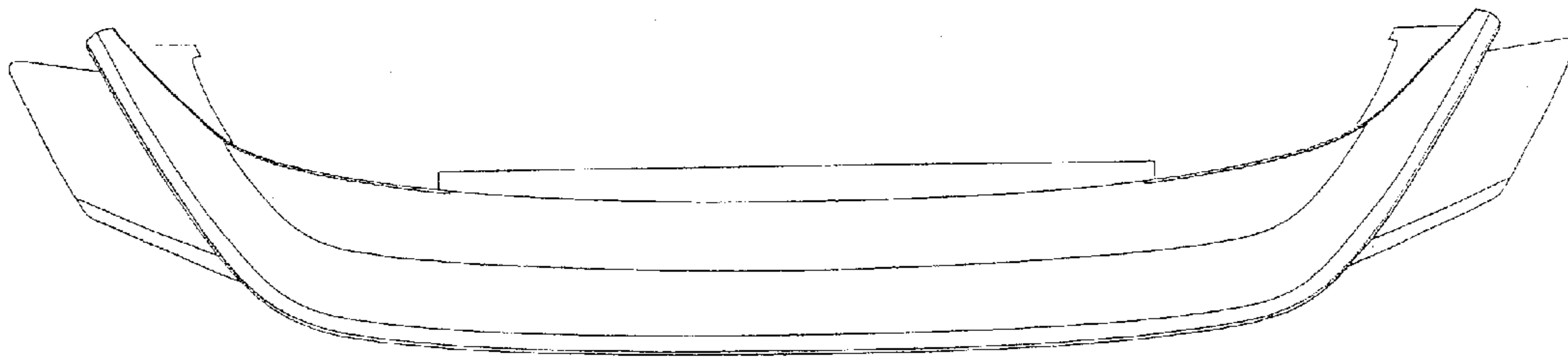


FIG. 4

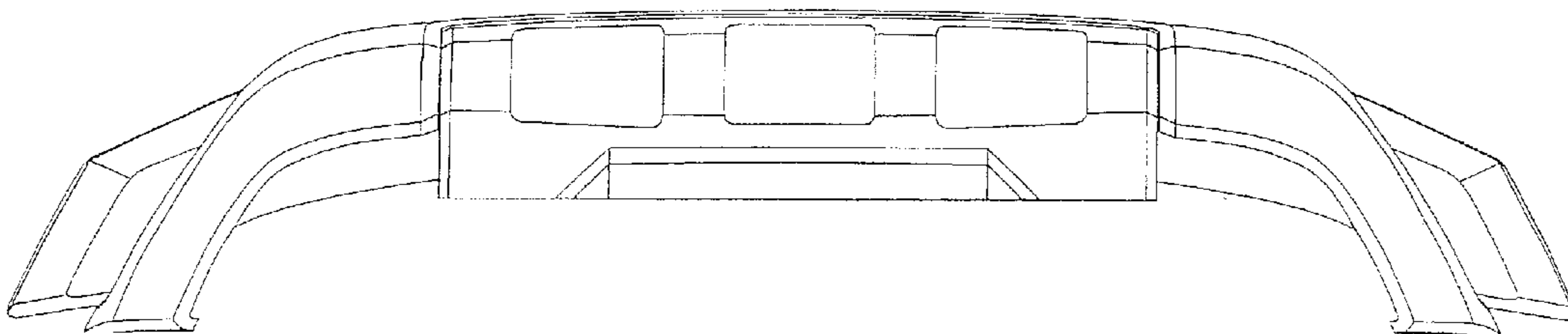


FIG. 5

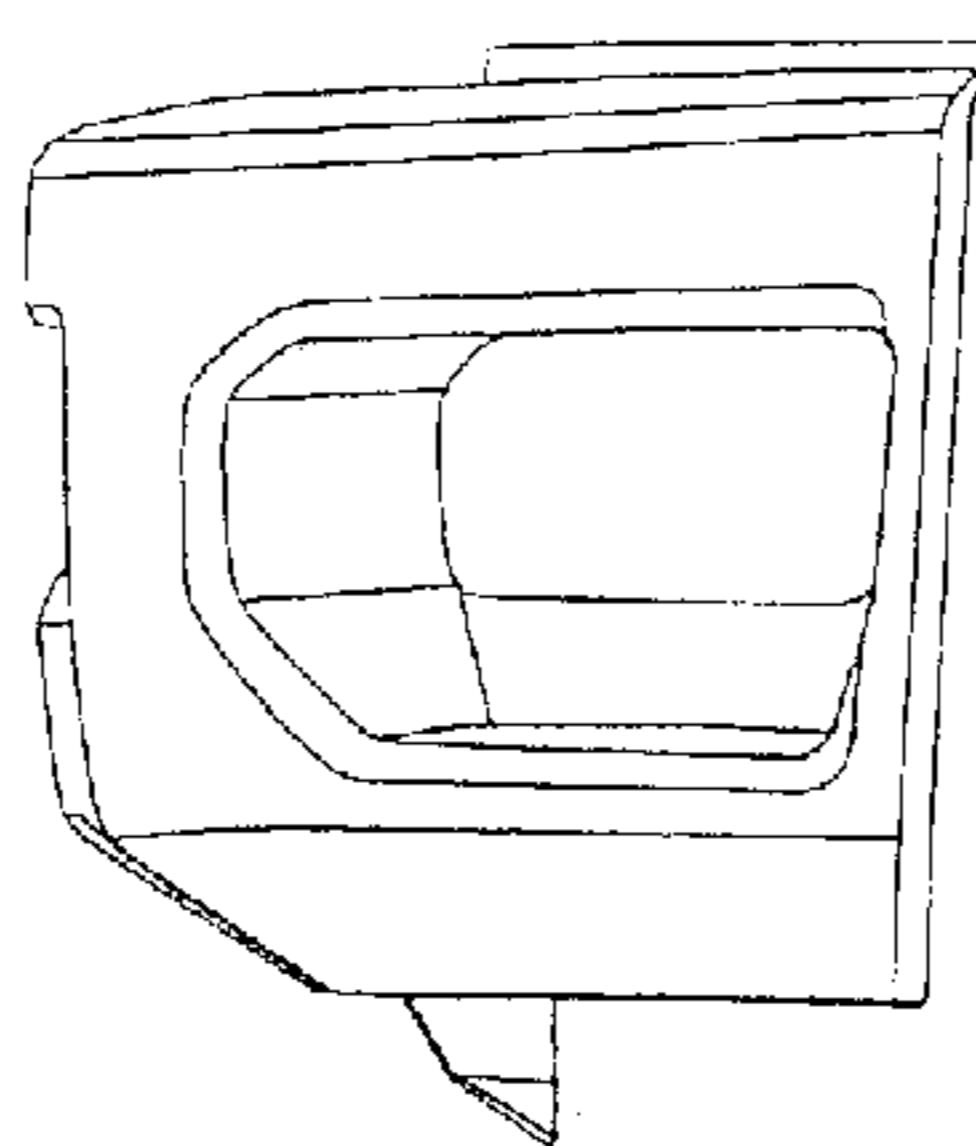


FIG. 6