



US00D516472S

(12) **United States Design Patent**  
**Taguchi**

(10) **Patent No.:** **US D516,472 S**  
(45) **Date of Patent:** **\*\* Mar. 7, 2006**

- (54) **BUMPER FOR VEHICLE**
- (75) Inventor: **Masato Taguchi**, Atsugi (JP)
- (73) Assignee: **Nissan Motor Co., Ltd.**, Yokohama (JP)
- (\*\*) Term: **14 Years**
- (21) Appl. No.: **29/216,695**
- (22) Filed: **Nov. 8, 2004**
- (51) **LOC (8) Cl.** ..... **12-16**
- (52) **U.S. Cl.** ..... **D12/169**
- (58) **Field of Classification Search** ..... D12/90-92,  
D12/86, 169, 196, 163; 296/180.1, 180.2;  
293/102, 113, 115, 117, 120  
See application file for complete search history.

- D436,067 S \* 1/2001 Okano et al. .... D12/169
- D484,443 S \* 12/2003 Hattori ..... D12/169
- D497,853 S \* 11/2004 Yanase ..... D12/169
- D501,436 S \* 2/2005 Nagura et al. .... D12/169

\* cited by examiner

*Primary Examiner*—Melody N. Brown  
(74) *Attorney, Agent, or Firm*—Foley & Lardner LLP

(57) **CLAIM**

The ornamental design for a bumper for vehicle, as shown and described.

**DESCRIPTION**

FIG. 1 is a perspective view of a bumper for vehicle;  
FIG. 2 is a front view thereof;  
FIG. 3 is a rear view thereof;  
FIG. 4 is a top plan view thereof;  
FIG. 5 is a bottom view thereof; and,  
FIG. 6 is a left side view thereof, and the right side view being a mirror view of the left side view.

(56) **References Cited**

**U.S. PATENT DOCUMENTS**

- D435,814 S \* 1/2001 Gabath ..... D12/169

**1 Claim, 2 Drawing Sheets**

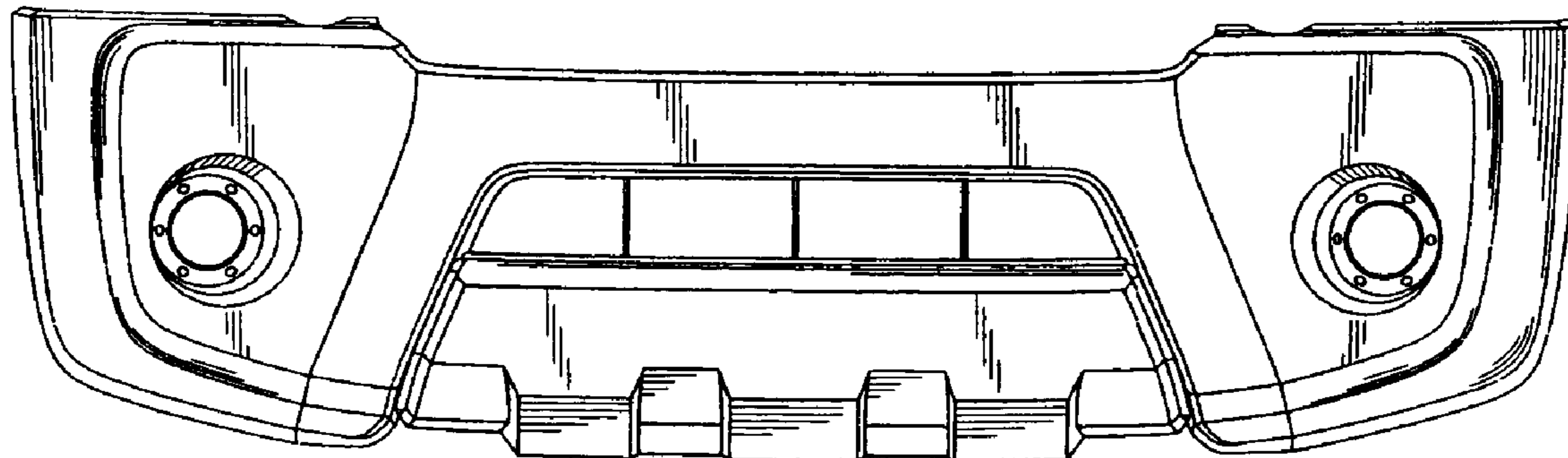


Fig.1

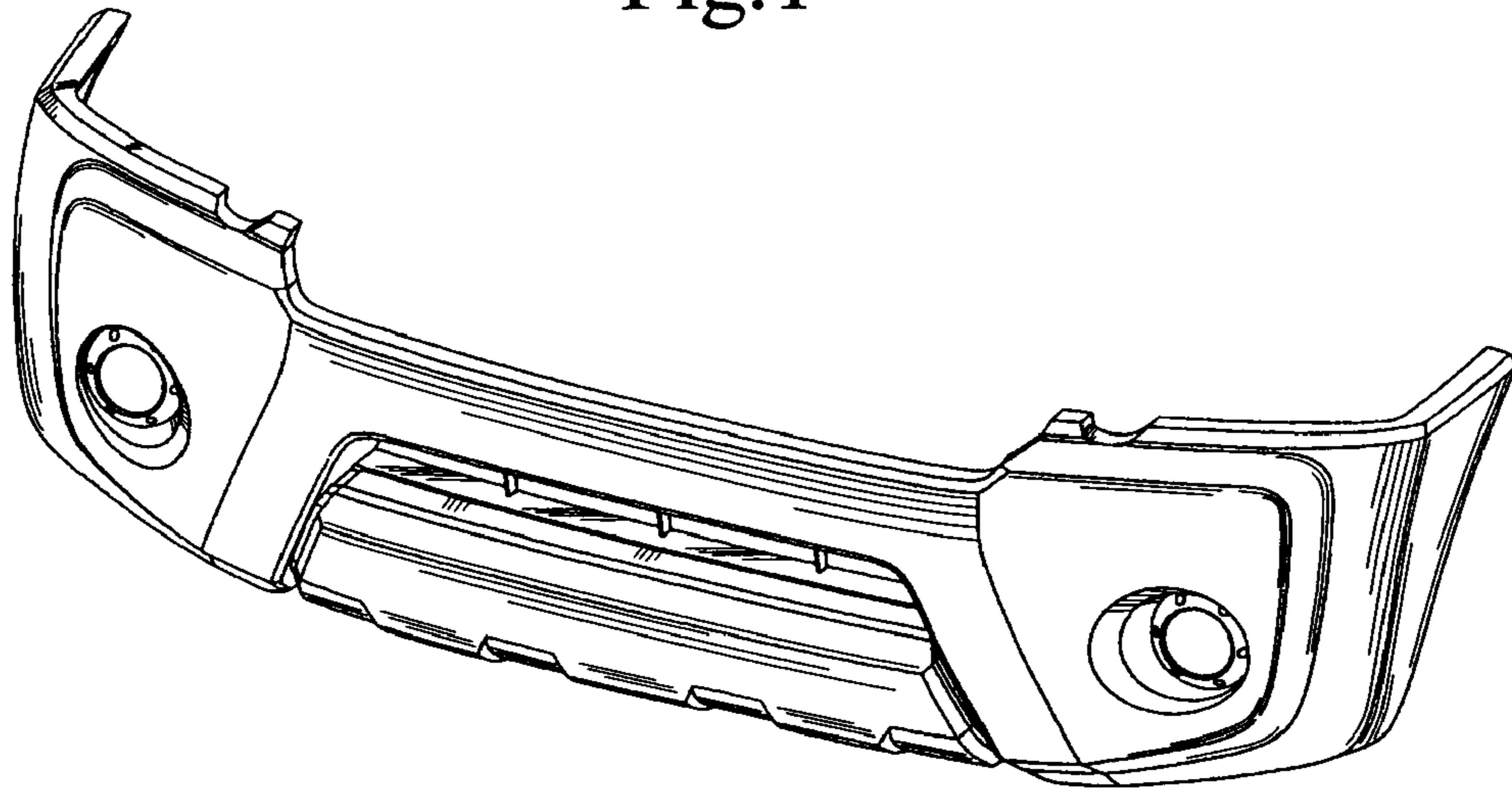


Fig.2

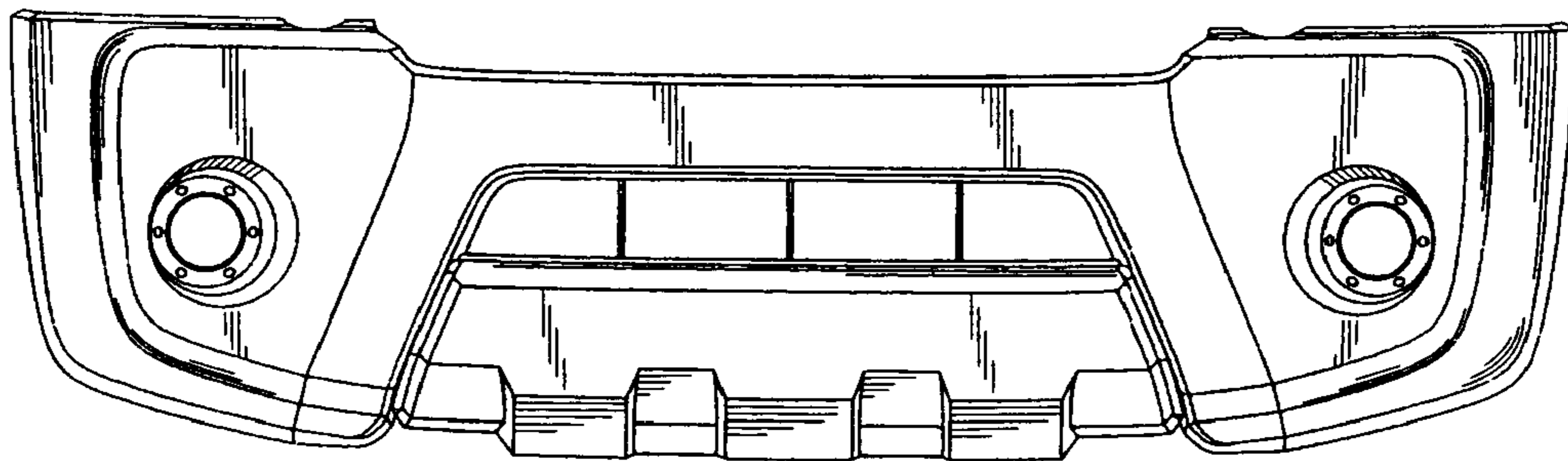


Fig.3

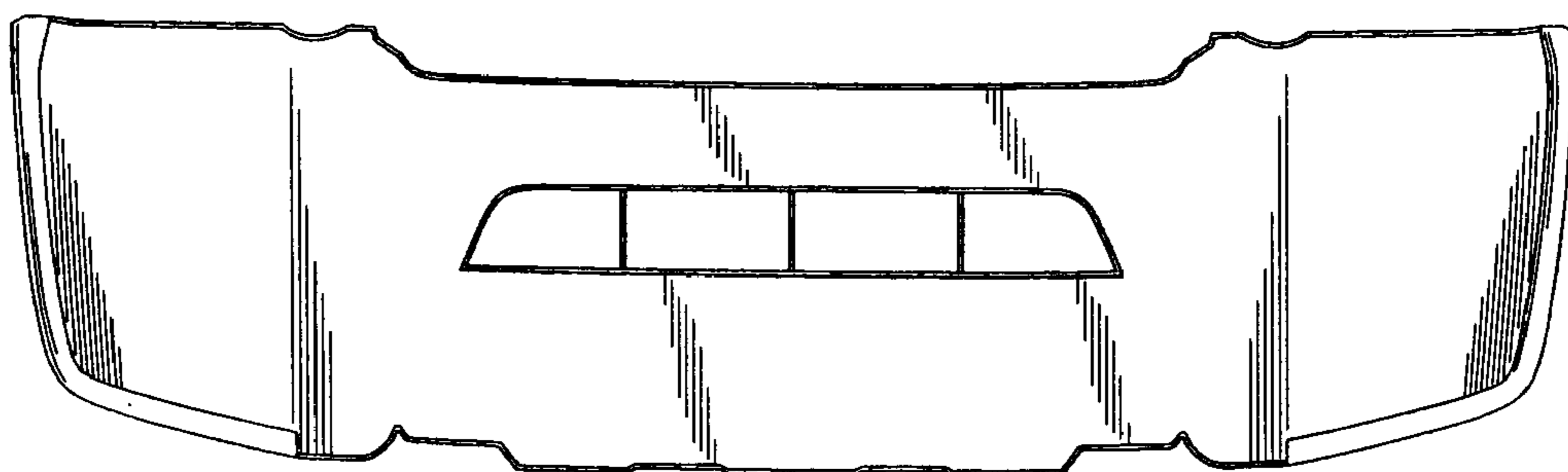


Fig.4

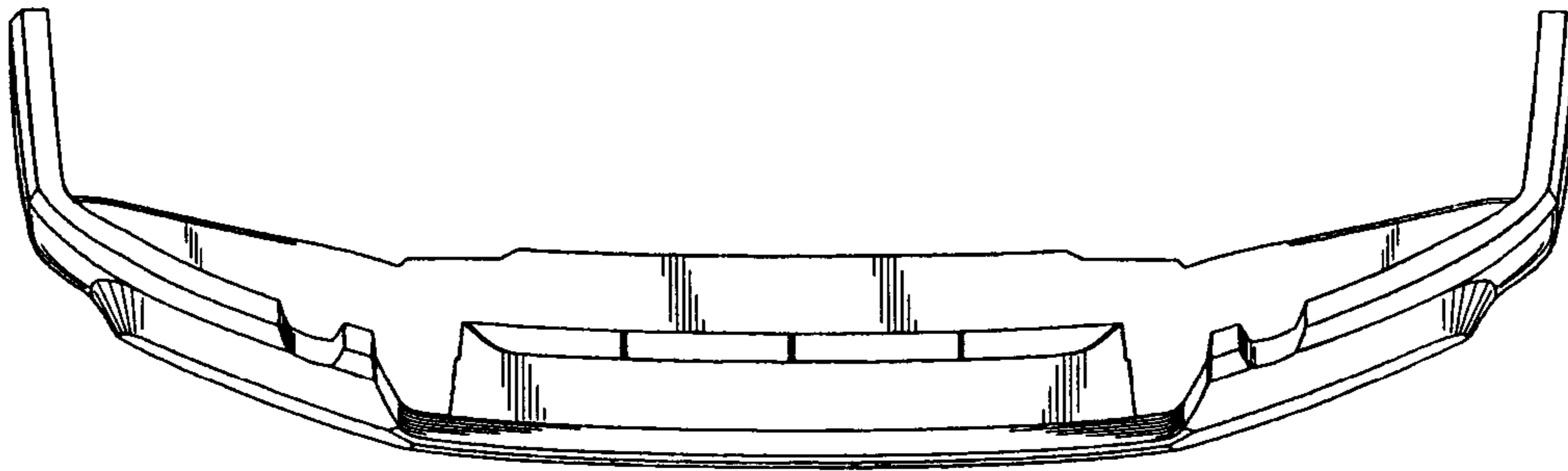


Fig.5

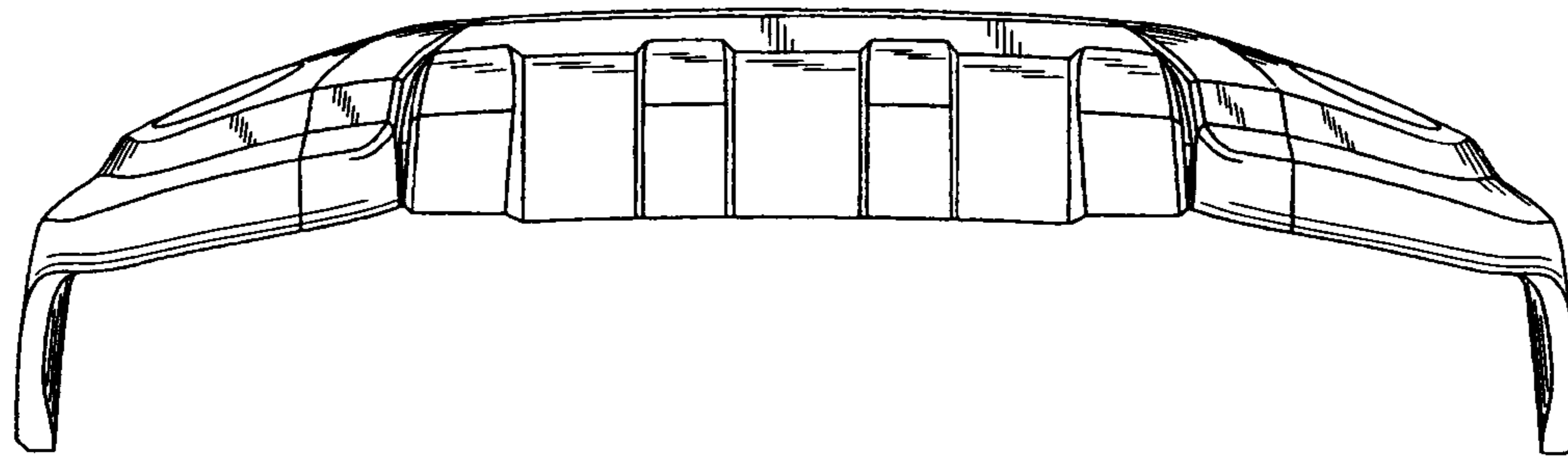


Fig.6

