



US00D516471S

(12) **United States Design Patent** (10) **Patent No.:** **US D516,471 S**
Zellers (45) **Date of Patent:** **** Mar. 7, 2006**

(54) **WHEELCHAIR BRAKE AND ATTACHMENT BRACKET**

(74) *Attorney, Agent, or Firm*—Charles A. Wilkinson; Clinton H. Wilkinson

(76) **Inventor:** **David A. Zellers**, P.O. Box 765, Tannersville, PA (US) 18372-0765

(57) **CLAIM**

(**) **Term:** **14 Years**

I claim the ornamental design for the wheelchair brake and attachment bracket.

(21) **Appl. No.:** **29/206,835**

DESCRIPTION

(22) **Filed:** **Jun. 3, 2004**

(51) **LOC (8) Cl.** **12-12**

(52) **U.S. Cl.** **D12/133**

(58) **Field of Classification Search** D12/133, D12/114, 179; 16/19, 20, 22, 30; 280/250.1, 280/304.1

See application file for complete search history.

FIG. 1 is an isometric view from the upper left rear of the wheelchair brake and accompanying attachment bracket of the invention;

FIG. 2 is an elevation of the right side thereof;

FIG. 3 is an elevation of the left side thereof;

FIG. 4 is a front elevation thereof;

FIG. 5 is a rear elevation thereof;

FIG. 6 is a top view thereof;

FIG. 7 is a bottom view thereof;

FIG. 8 is an isometric view of the wheelchair brake similar to that shown in FIG. 1 mounted upon a wheel of a wheelchair shown in dashed lines to illustrate a typical arrangement on a wheelchair; and,

FIG. 9 is an isometric view of the bracket attachment shown in previous views with an alternative brake construction shown in dashed lines mounted thereupon.

(56) **References Cited**

U.S. PATENT DOCUMENTS

D401,192 S	*	11/1998	Gagnon	D12/133
D401,541 S	*	11/1998	Ahlbertz	D12/133
D423,993 S	*	5/2000	Slagerman	D12/133

* cited by examiner

Primary Examiner—Marcus A. Jackson

1 Claim, 7 Drawing Sheets

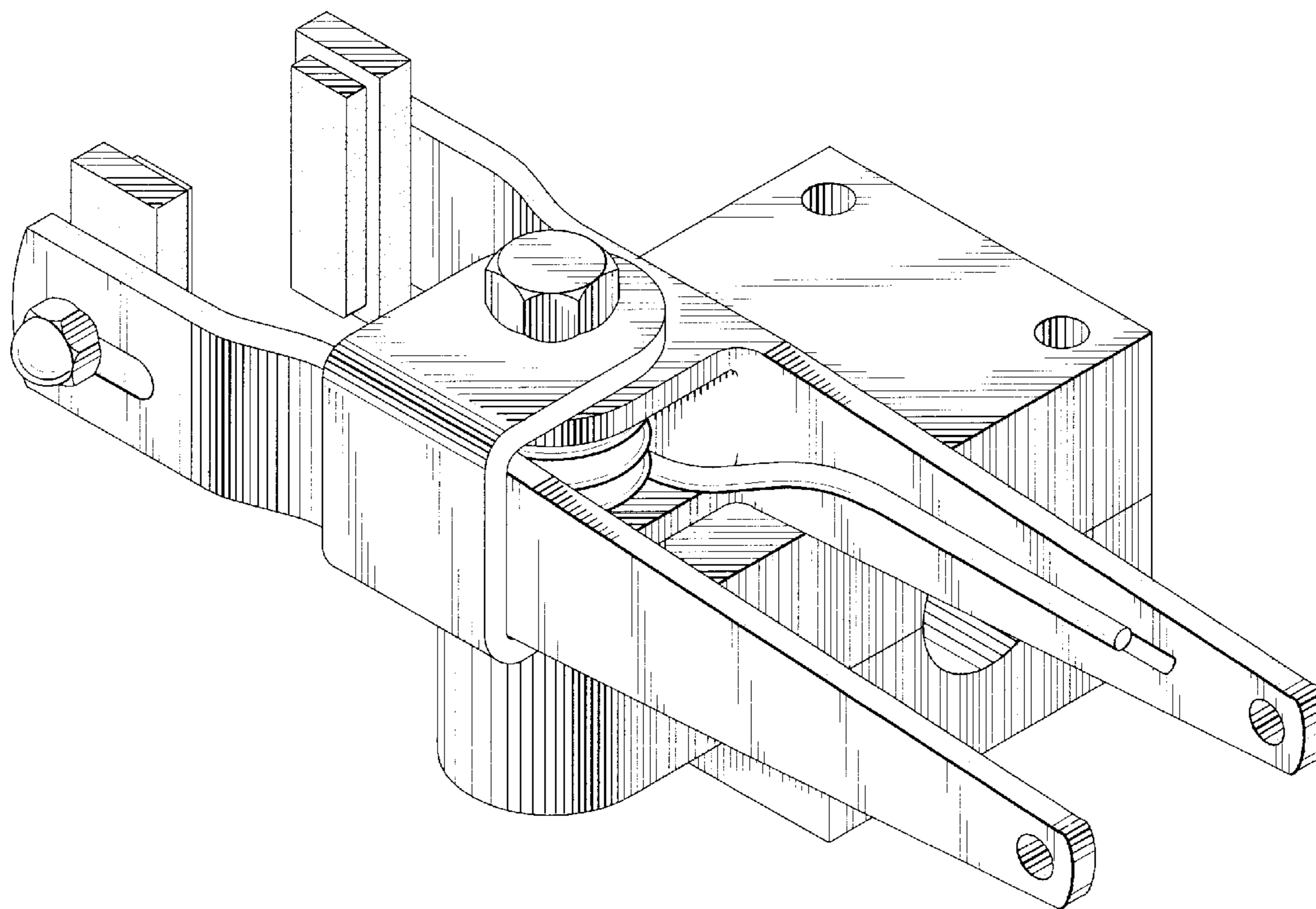


Fig. 1

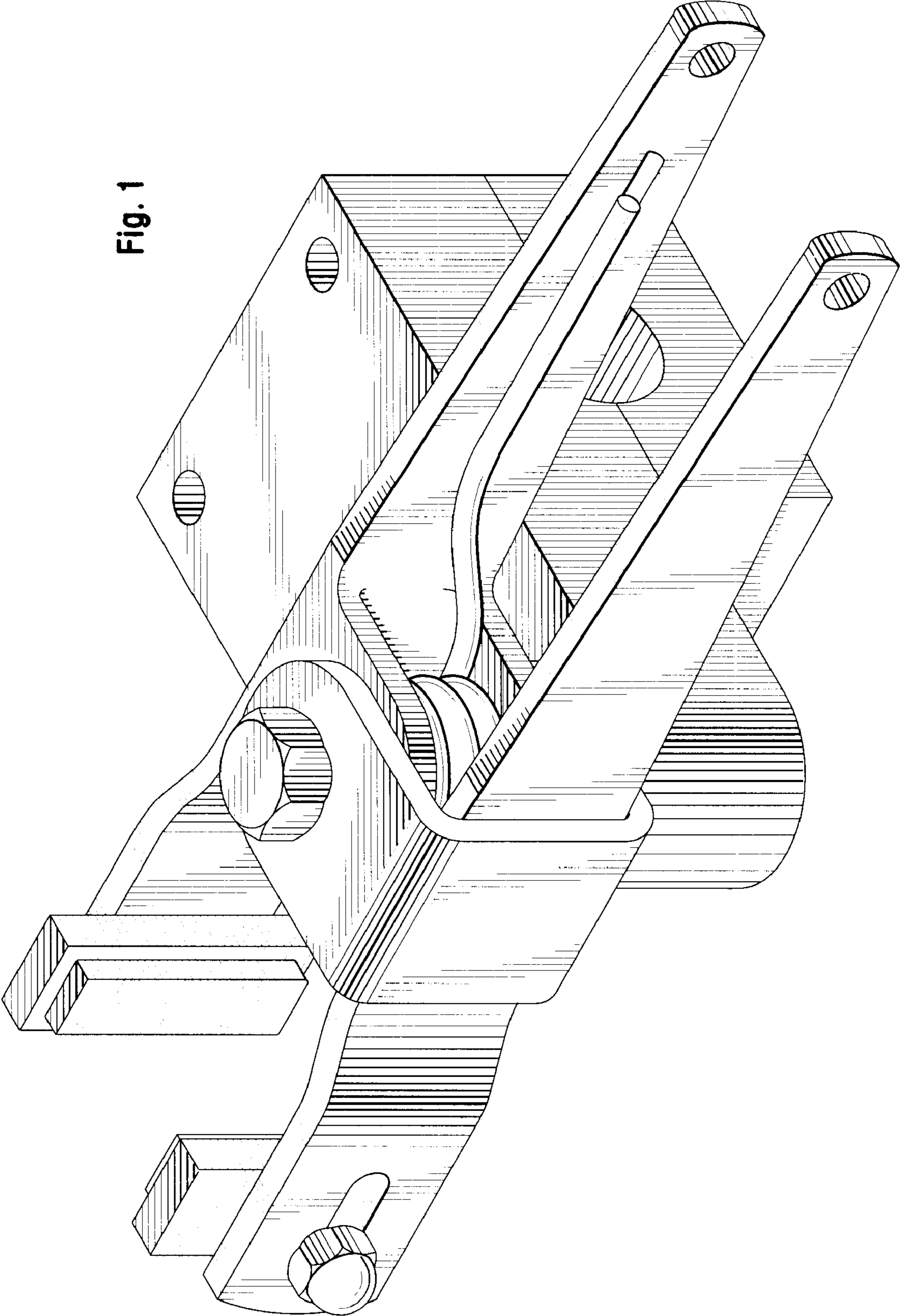


Fig. 2

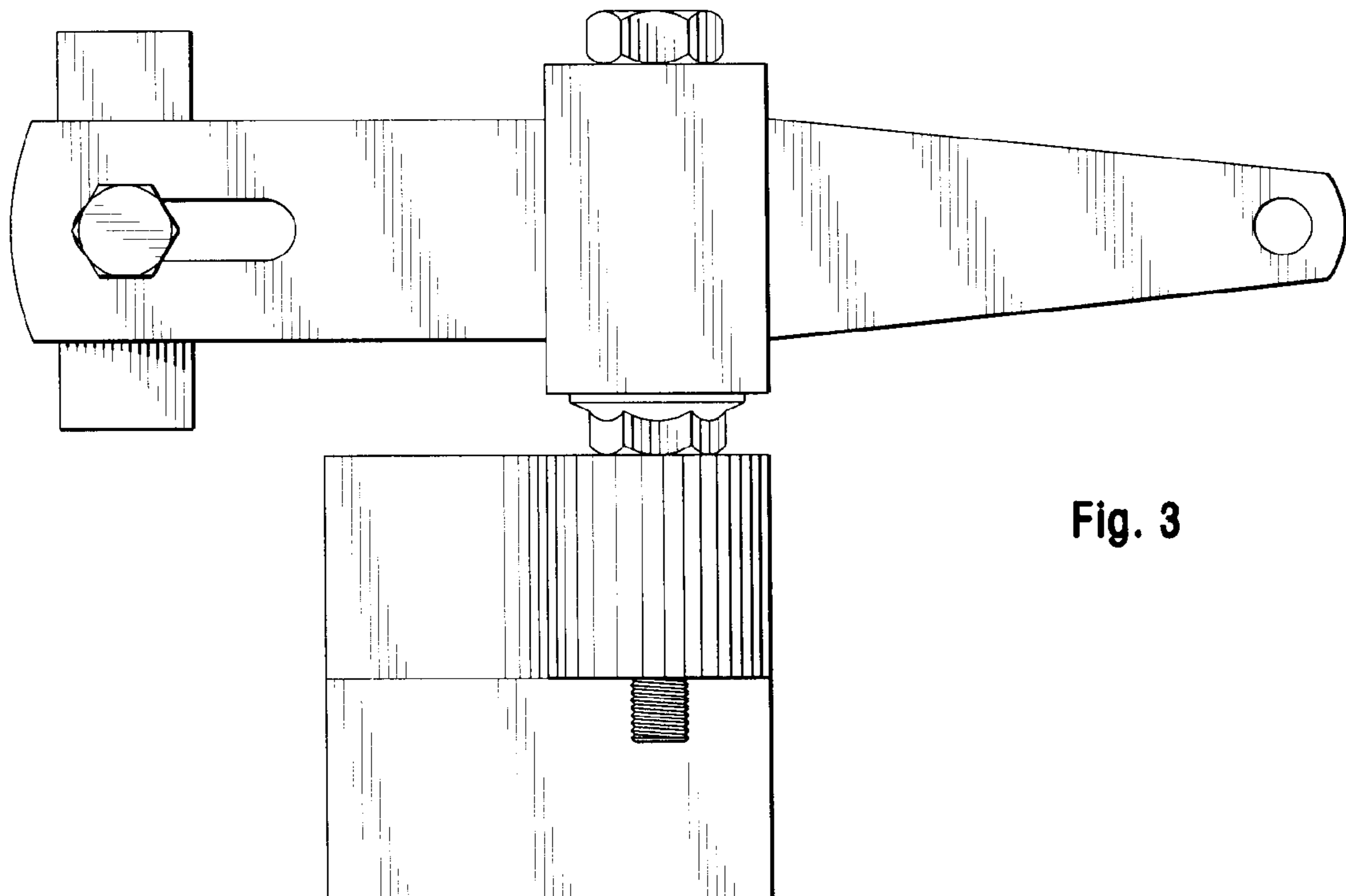
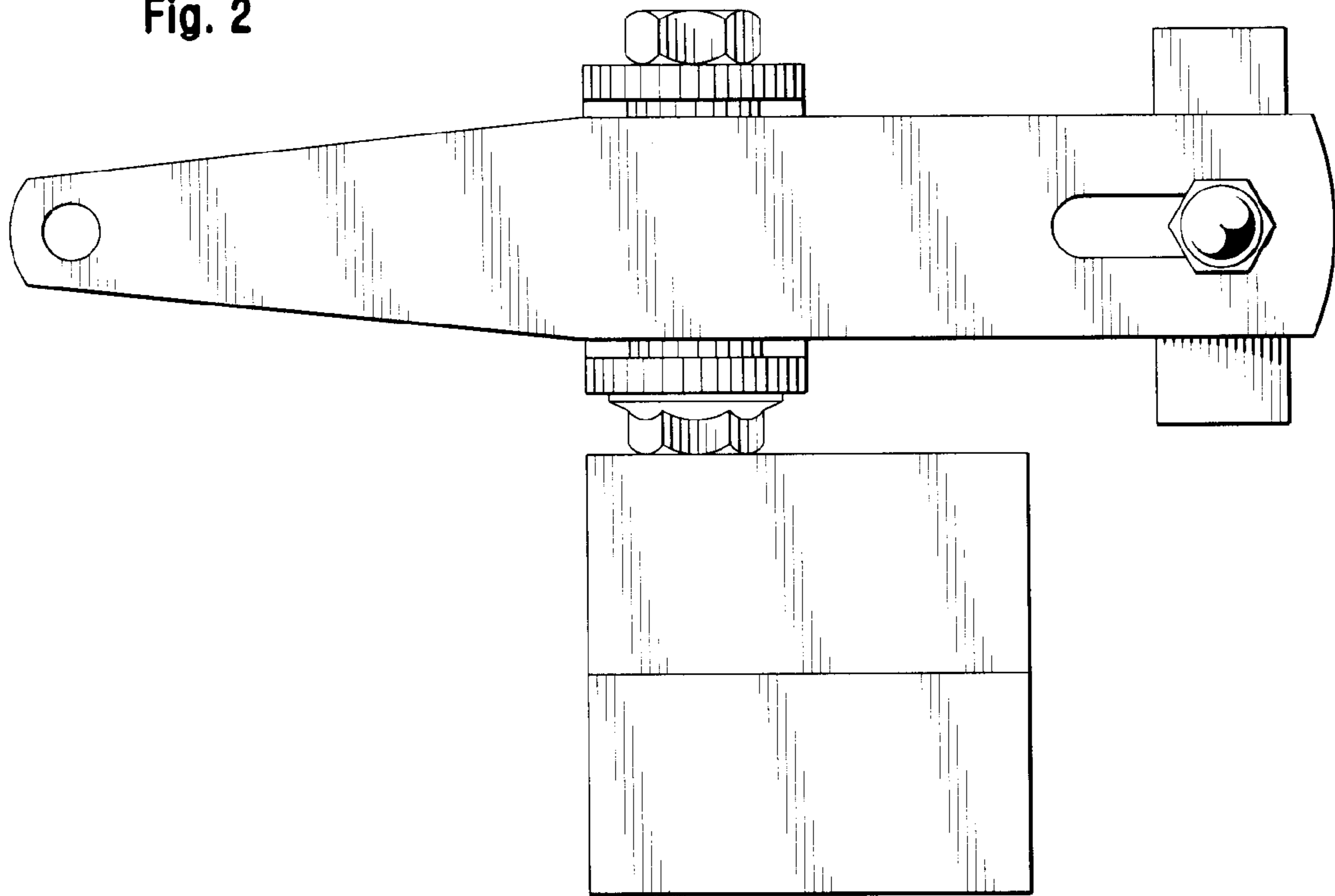


Fig. 3

Fig. 4

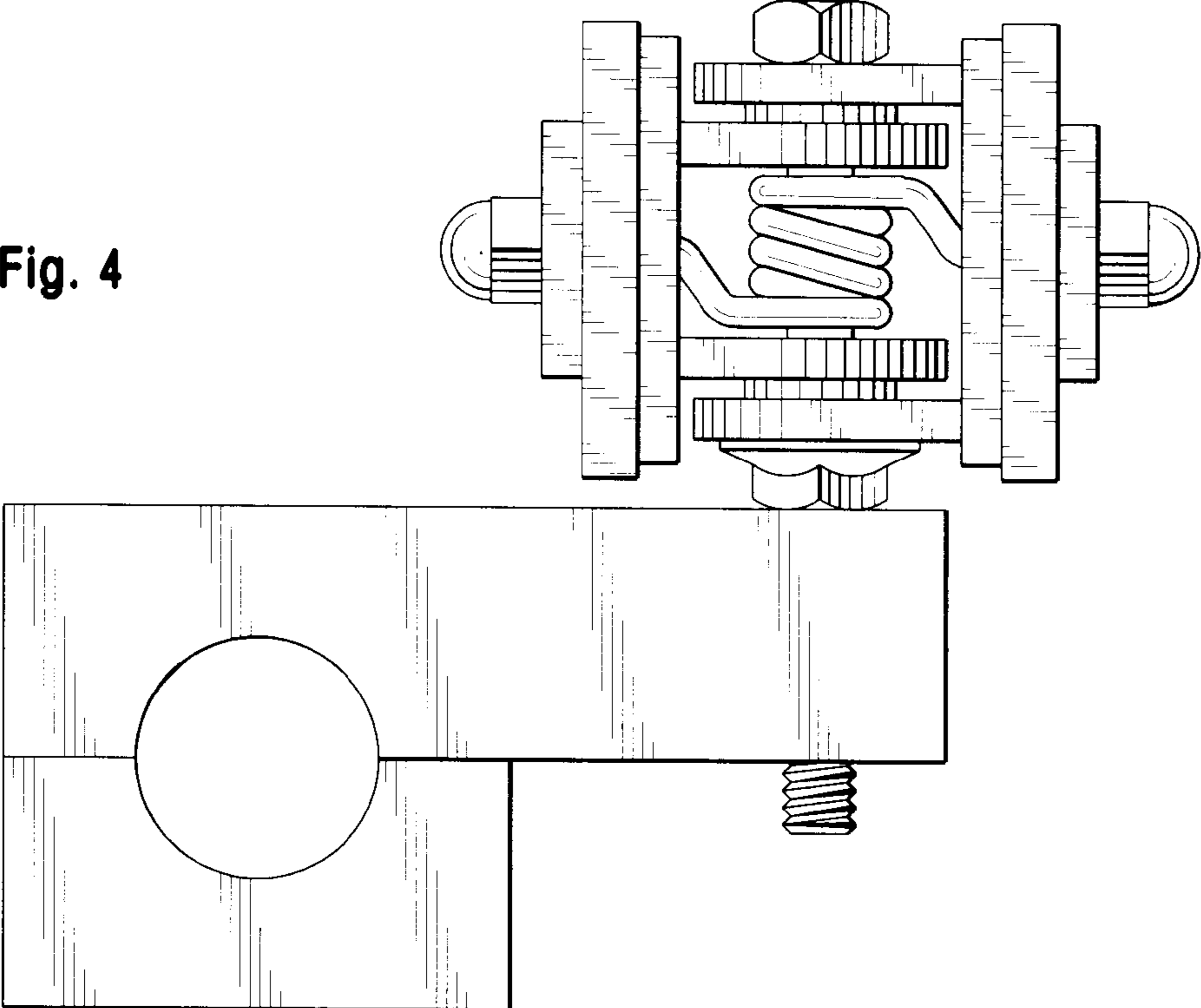
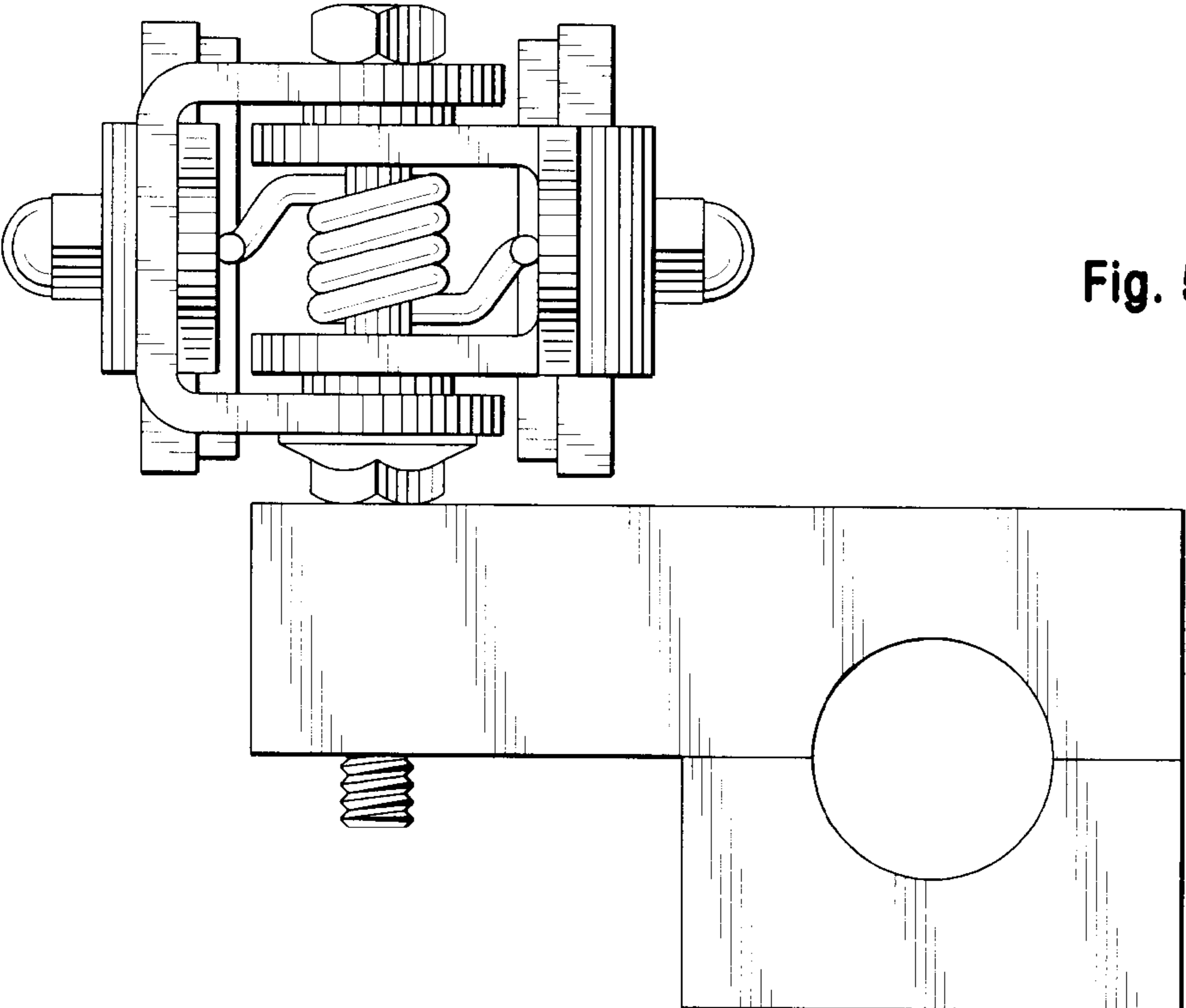


Fig. 5



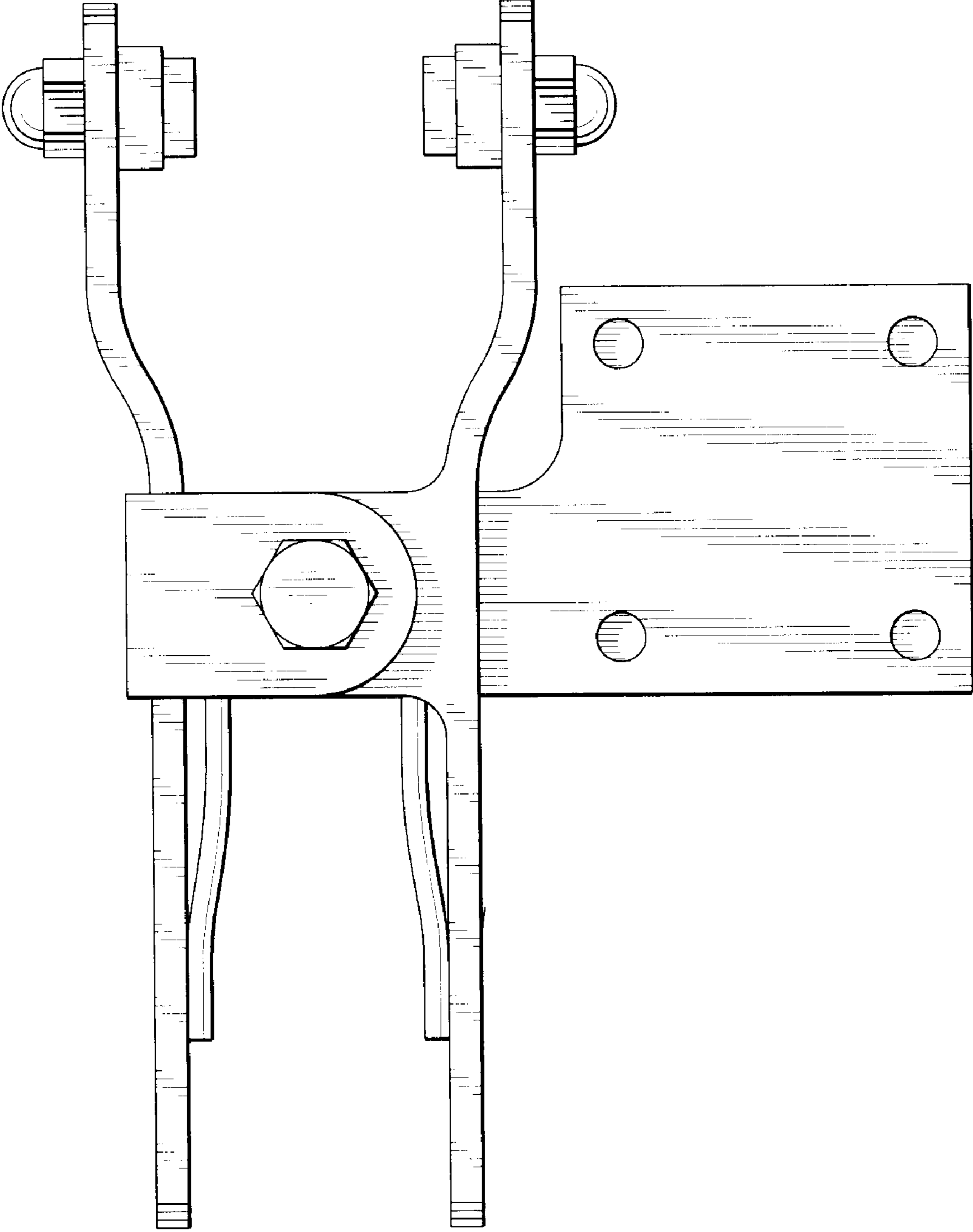


Fig. 6

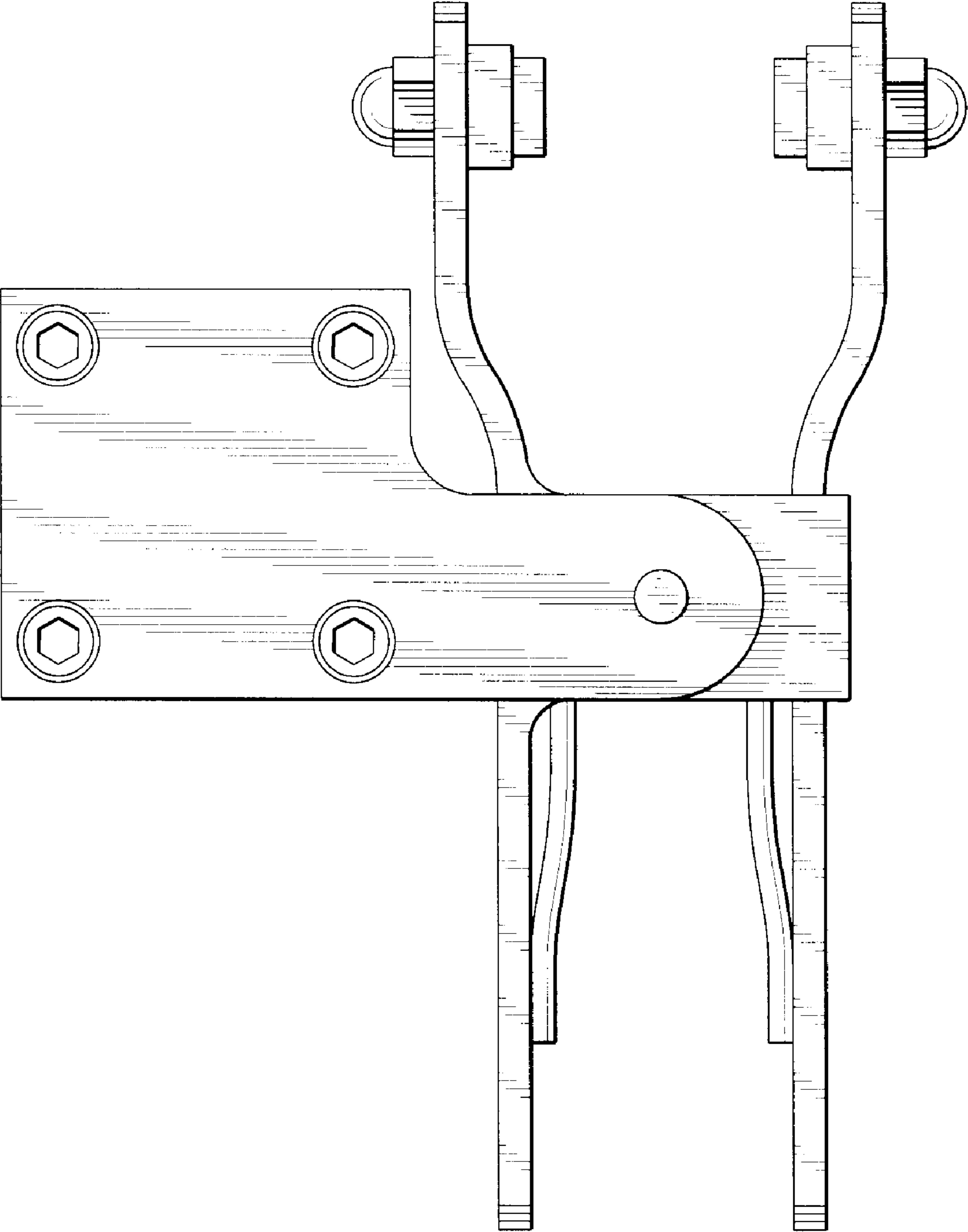


Fig. 7

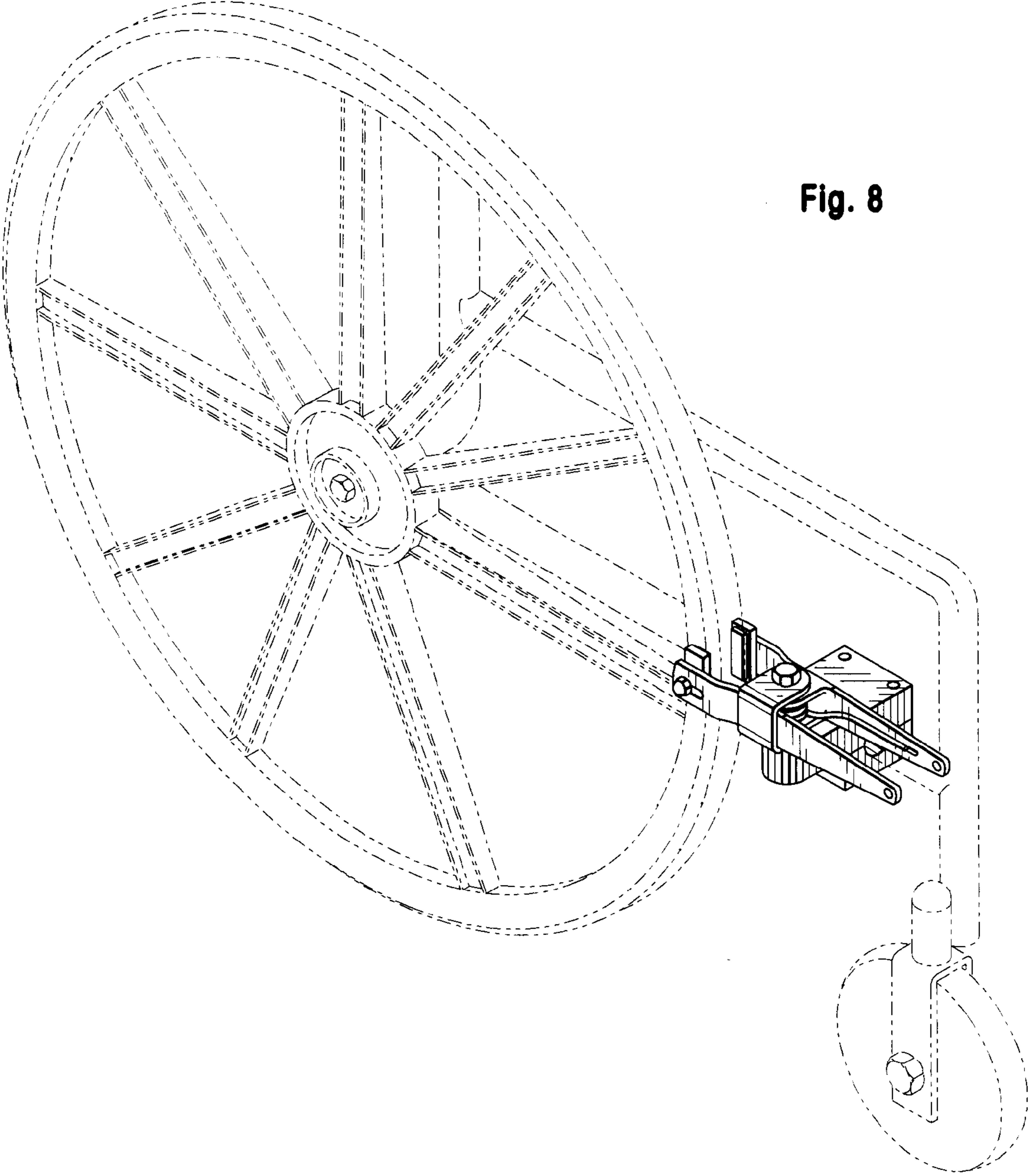


Fig. 8

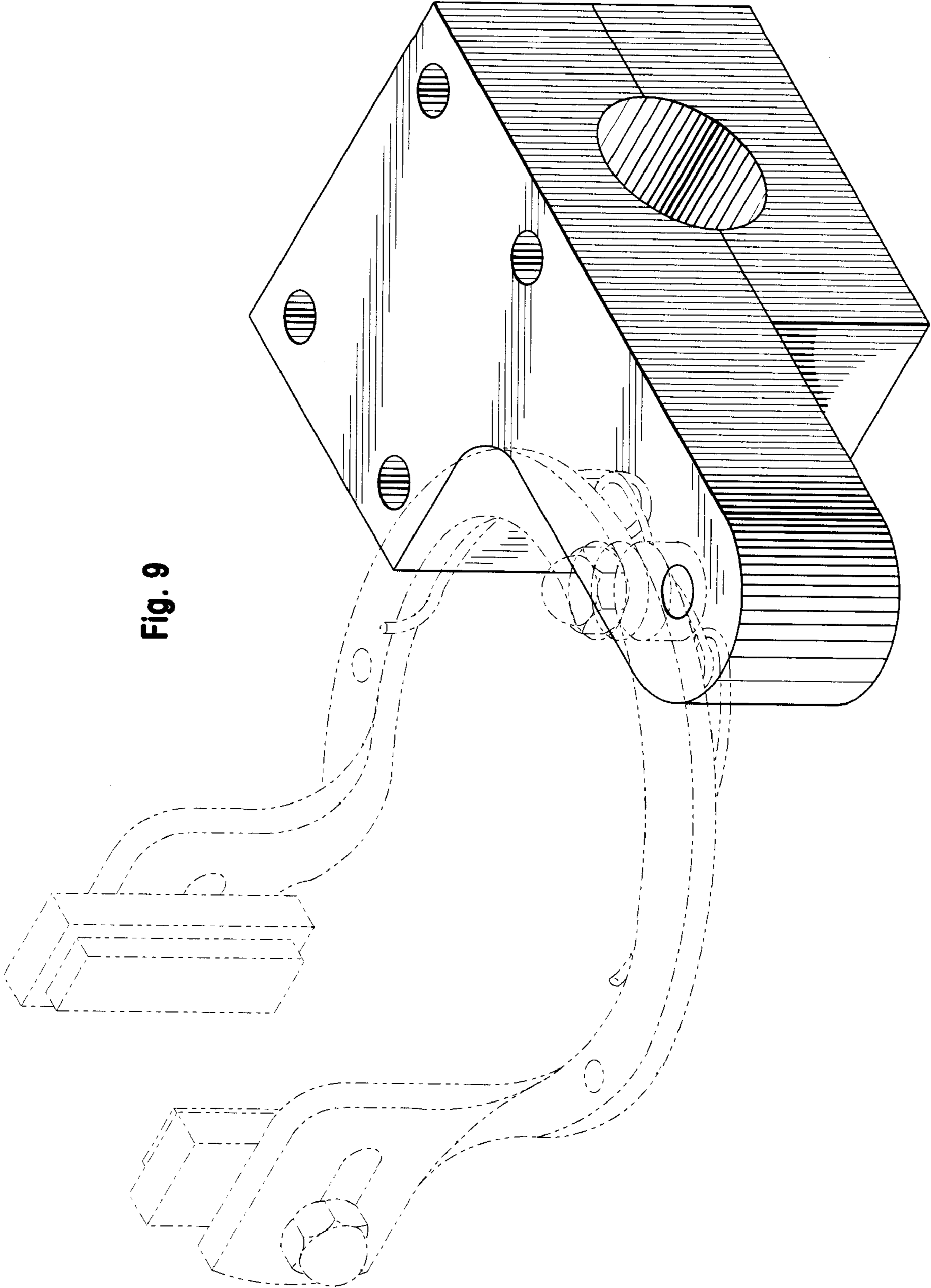


Fig. 9