



US00D516470S

(12) **United States Design Patent**
Clements

(10) **Patent No.:** **US D516,470 S**
(45) **Date of Patent:** **** Mar. 7, 2006**

(54) **DECORATIVE STRUT RAIL UNIT**

(76) Inventor: **David W. Clements**, 1705 Johnson St.,
Logansport, IN (US) 46947

(**) Term: **14 Years**

(21) Appl. No.: **29/204,837**

(22) Filed: **May 5, 2004**

(51) **LOC (8) Cl.** **12-11**

(52) **U.S. Cl.** **D12/114**

(58) **Field of Classification Search** D12/110,
D12/114, 222, 223, 190, 407; 280/288.4,
280/304.4; D8/315; 296/71; 180/219
See application file for complete search history.

(56) **References Cited**

U.S. PATENT DOCUMENTS

D396,671 S	*	8/1998	Davidson et al.	D12/114
D403,991 S		1/1999	Davidson		
D427,963 S	*	7/2000	Gogan et al.	D12/407
D434,716 S	*	12/2000	Zieske	D12/223

OTHER PUBLICATIONS

Chrome Specialties 2001 catalog, fender side trim set product No. 240042 on p. 536.*

* cited by examiner

Primary Examiner—Alan P. Douglas
Assistant Examiner—Linda Brooks

(74) *Attorney, Agent, or Firm*—Frank D. Lachenmaier

(57) **CLAIM**

The ornamental design for a decorative strut rail unit, as shown and described.

DESCRIPTION

FIG. 1 is a front elevational view of decorative strut rail showing my new design, the back view being a mirror image;

FIG. 2 is a top plan view thereof;

FIG. 3 is a bottom plan view thereof;

FIG. 4 is an enlarged front end view thereof, the rear end view being a mirror image;

FIG. 5 is an enlarged, exploded view thereof, showing the top bar, bottom bar, and button headed cap screw;

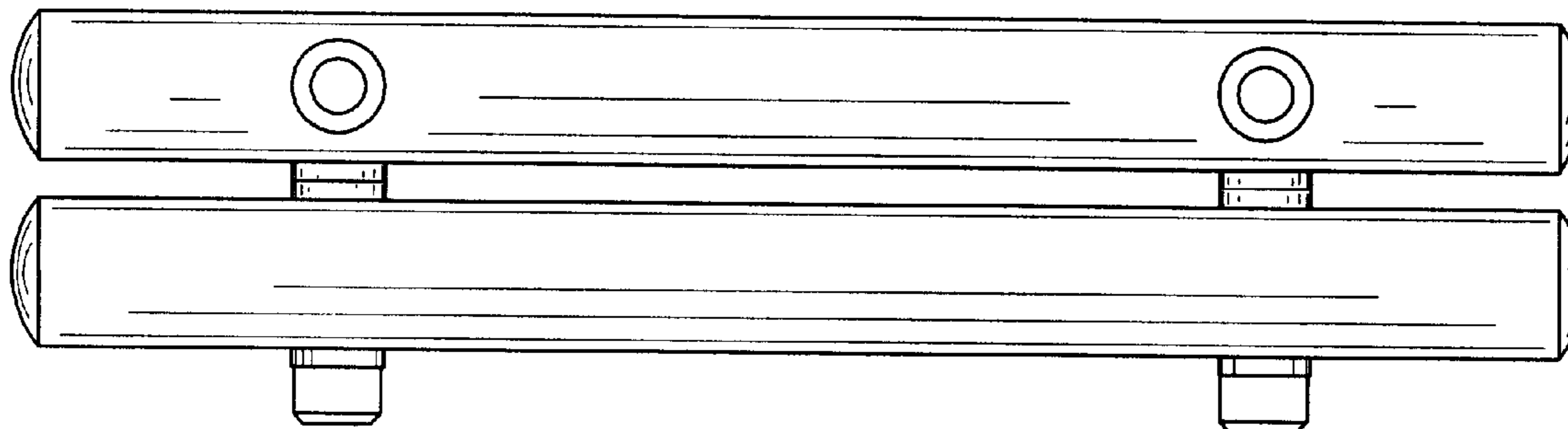
FIG. 6 is a front elevational view similar to FIG. 1, shown on a reduced scale and in position of use as mounted to a motorcycle, which is shown in broken lines for illustrative purposes only and forms no part of the claimed design;

FIG. 7 is an enlarged, partial view of FIG. 6;

FIG. 8 is an enlarged, partial view of FIG. 7; and,

FIG. 9 is an exploded front end view, similar to FIG. 4 on a reduced scale, showing the rear strut, mounting studs, and cap nut in broken lines for clarity of the environmental use of the design and forming no part thereof.

1 Claim, 4 Drawing Sheets



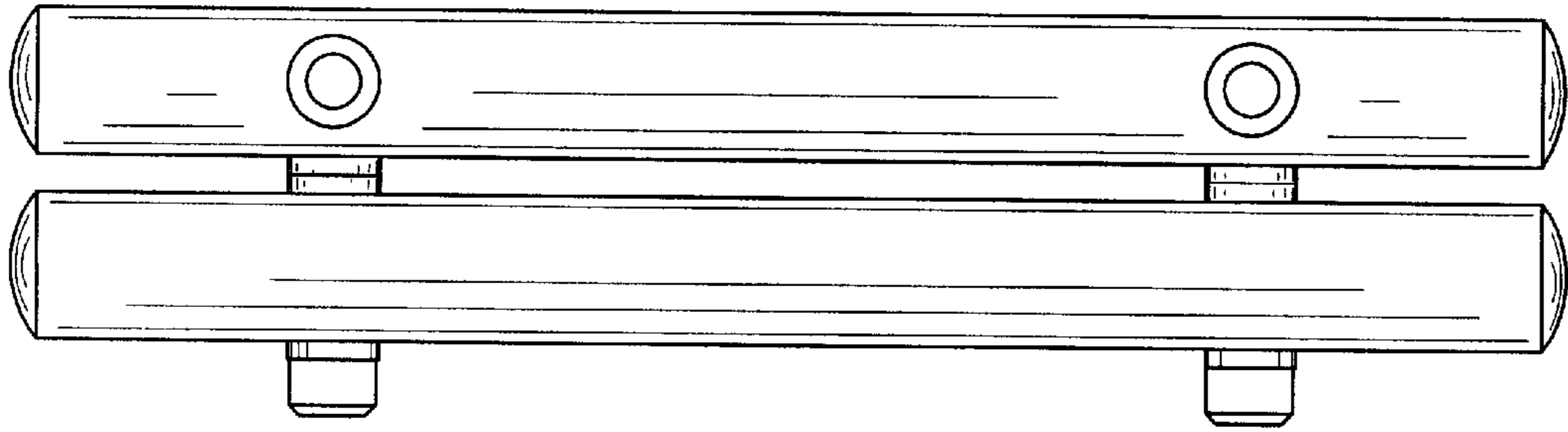


FIG 1

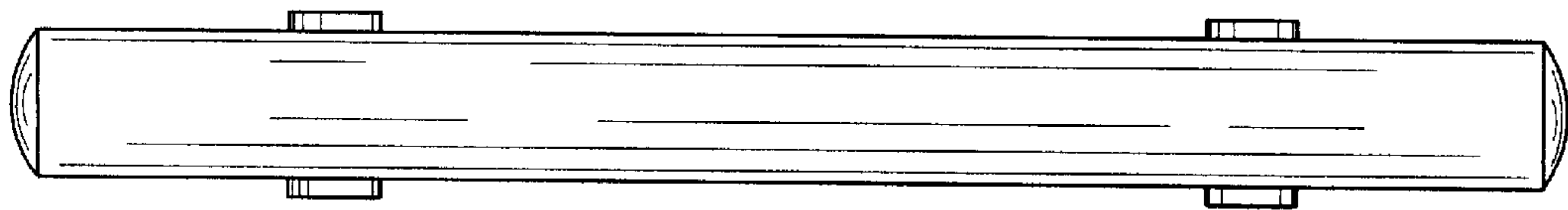


FIG 2

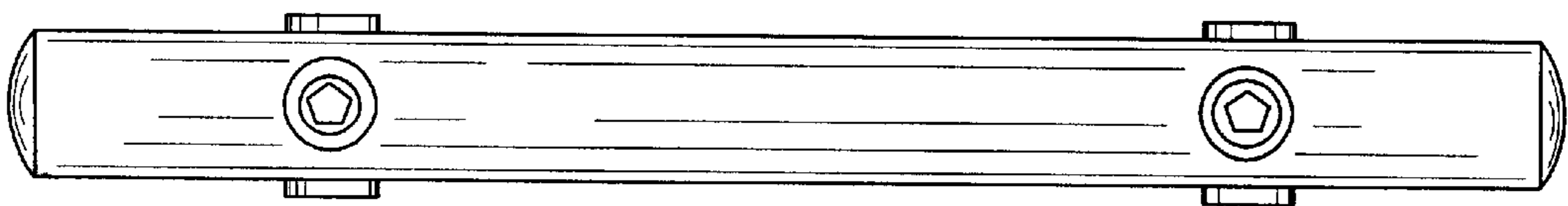


FIG 3

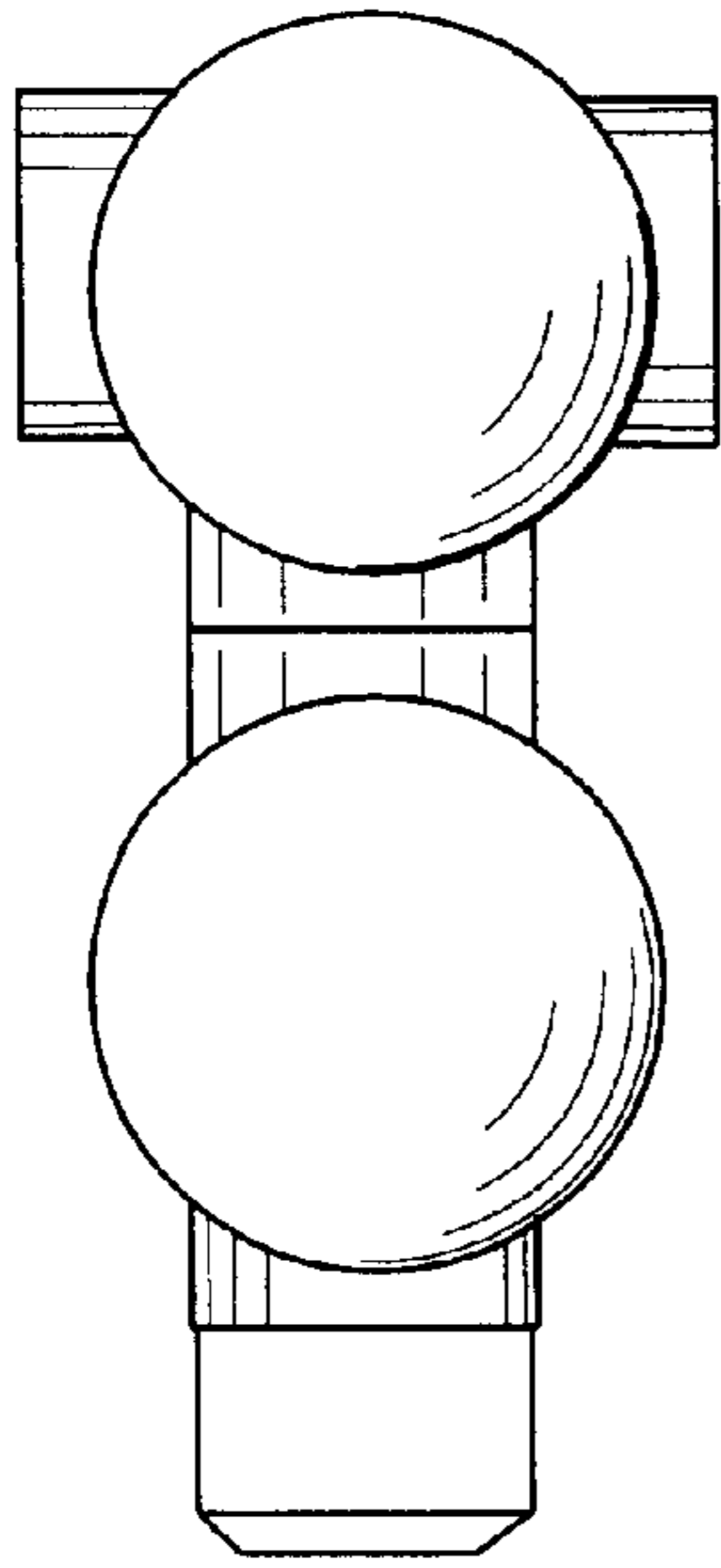


FIG 4

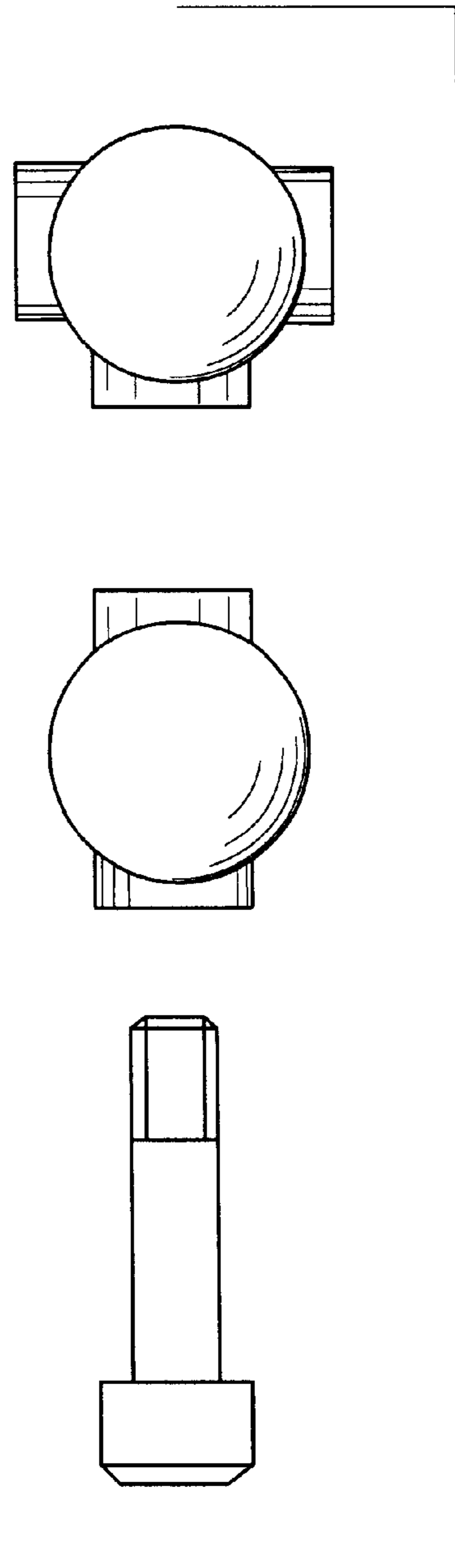


FIG 5

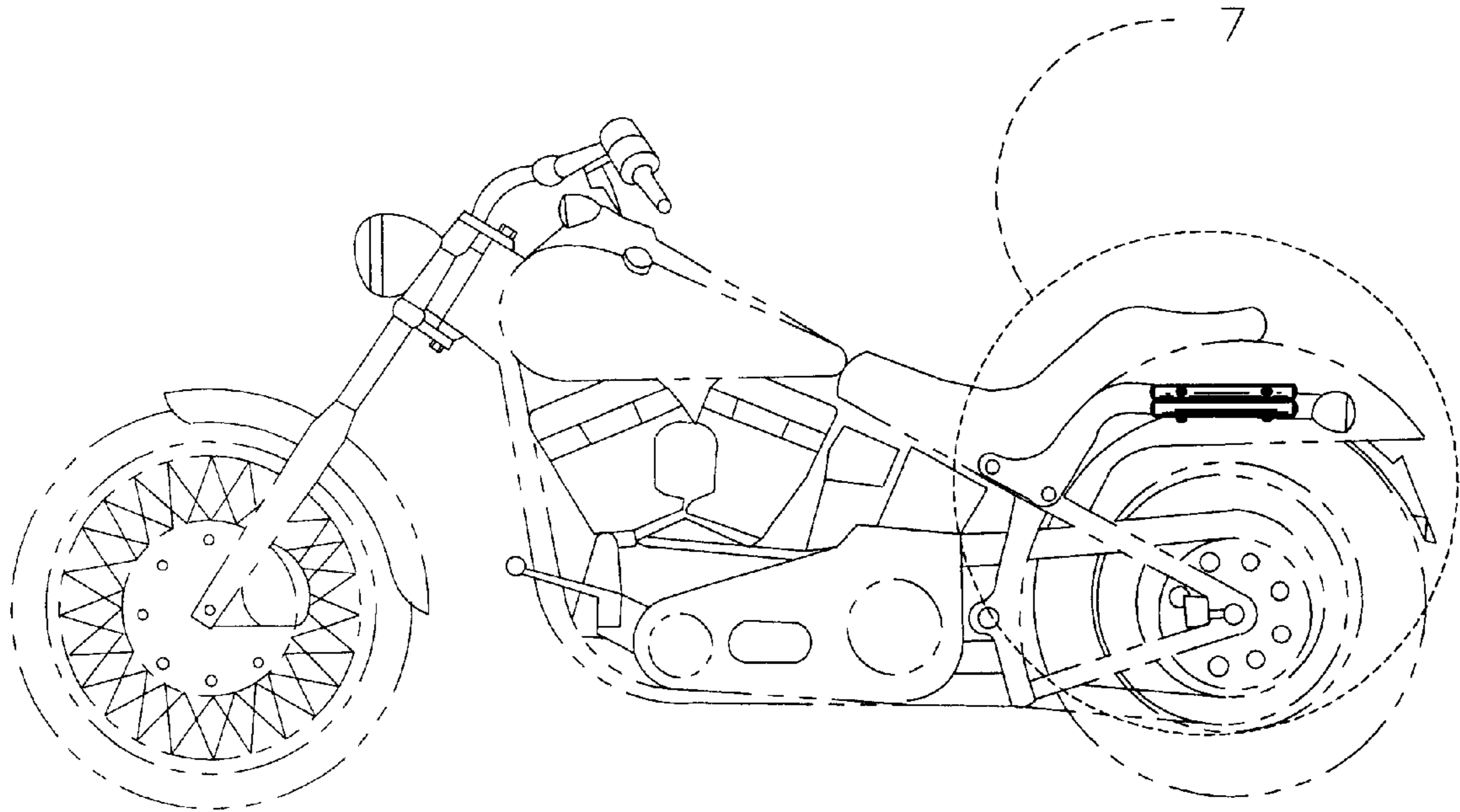


FIG 6

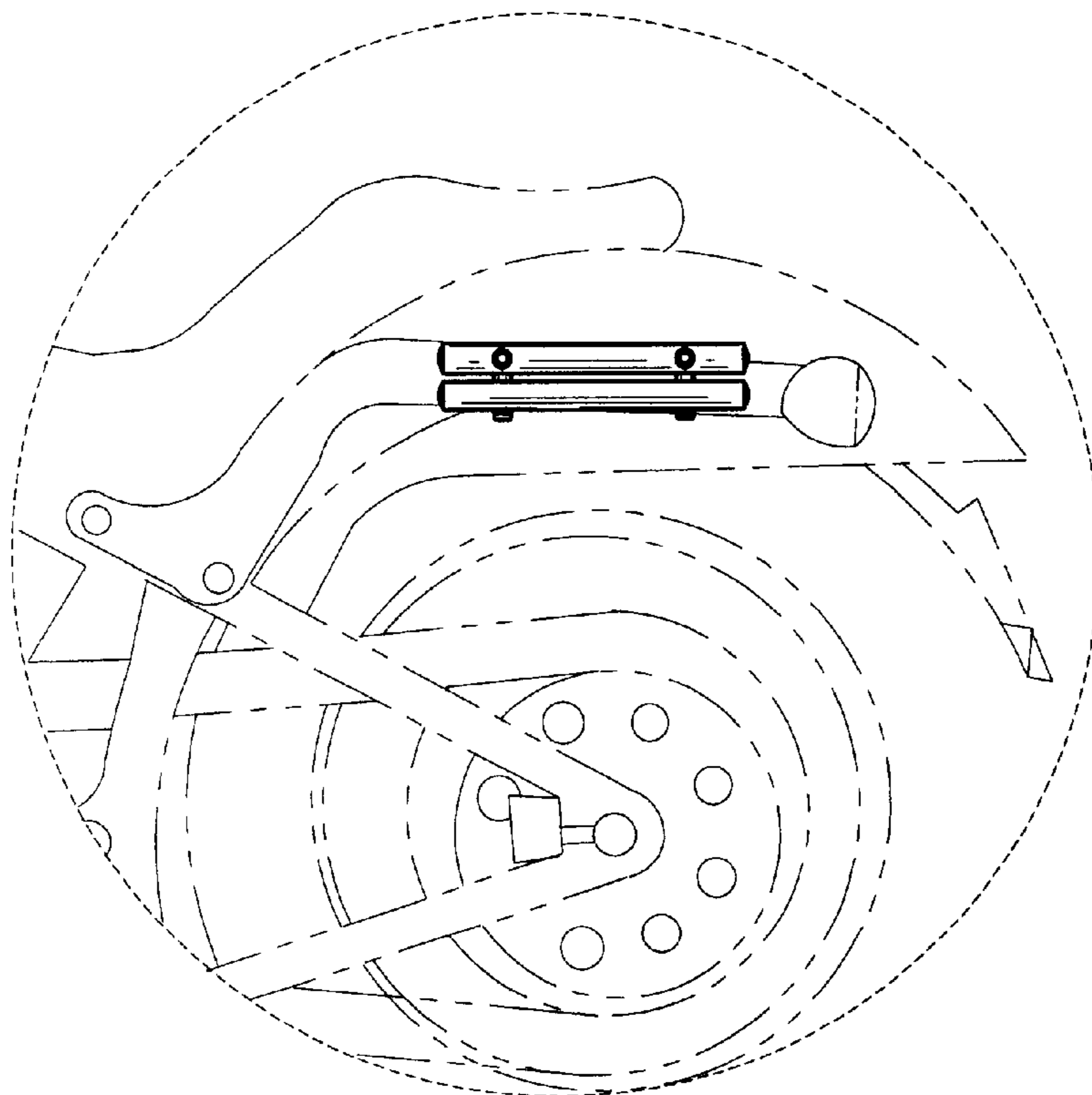


FIG 7

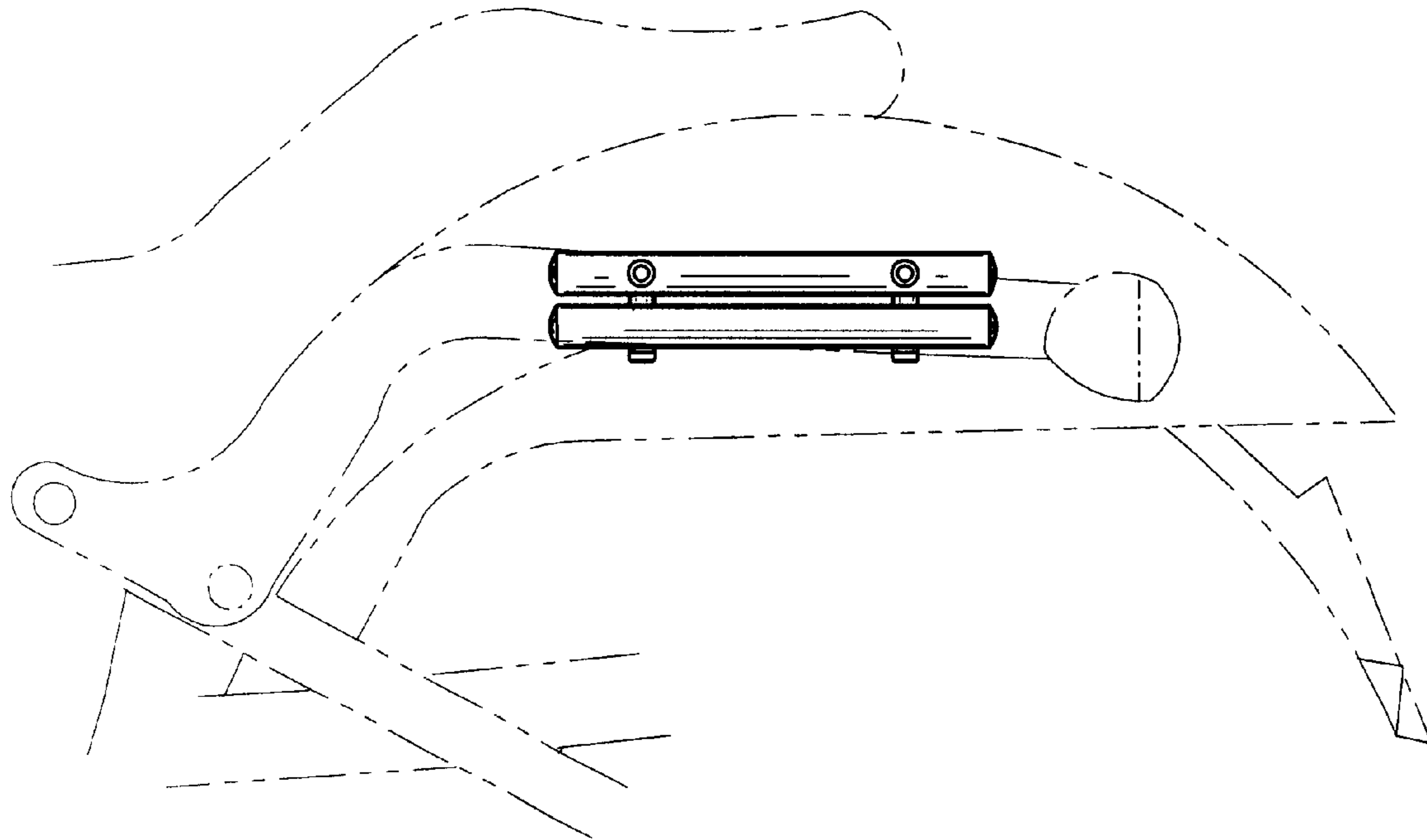


FIG 8

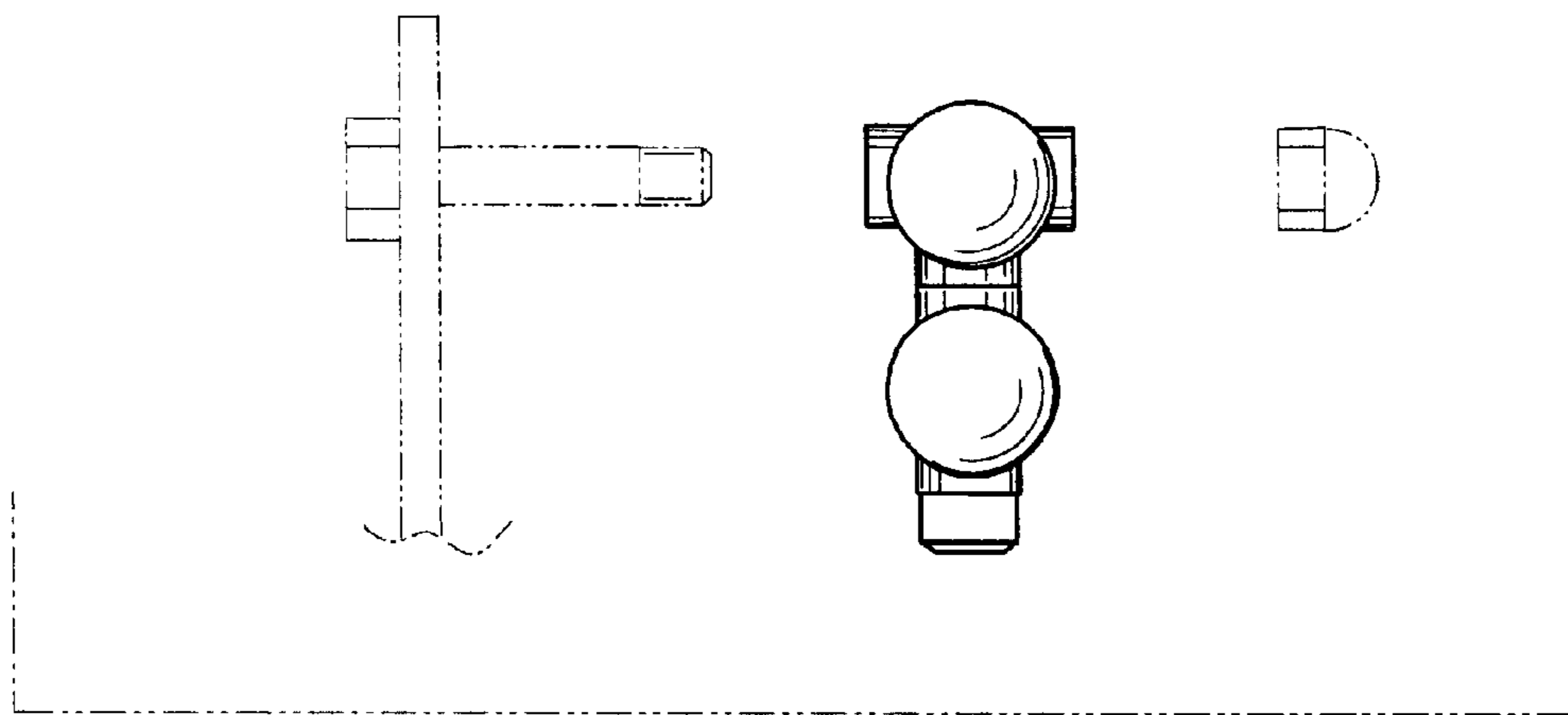


FIG 9