



US00D516469S

(12) **United States Design Patent**
Reinke

(10) **Patent No.:** **US D516,469 S**
(45) **Date of Patent:** **** Mar. 7, 2006**

(54) **BICYCLE FRAME**

(76) **Inventor:** **Thomas P. Reinke**, 4168 Meadowbrook
La., St. Louis Park, MN (US)
55426-4611

(**) **Term:** **14 Years**

(21) **Appl. No.:** **29/219,750**

(22) **Filed:** **Dec. 21, 2004**

(51) **LOC (8) Cl.** **12-11**

(52) **U.S. Cl.** **D12/111**

(58) **Field of Classification Search** D12/111,
D12/117; 280/274-288, 288.1-288.3

See application file for complete search history.

(56) **References Cited**

U.S. PATENT DOCUMENTS

2,773,695 A * 12/1956 Holloway 280/281.1

D435,234 S * 12/2000 Reinke D12/111

* cited by examiner

Primary Examiner—Alan P. Douglas

Assistant Examiner—Linda Brooks

(74) *Attorney, Agent, or Firm*—Nawrocki, Rooney &
Sivertson P.A.

(57) **CLAIM**

The ornamental design for a bicycle frame, as shown and
described.

DESCRIPTION

FIG. 1 is a right side elevational view of a bicycle frame
according to my novel design;

FIG. 2 is a top plan view thereof;

FIG. 3 is a bottom plan view thereof;

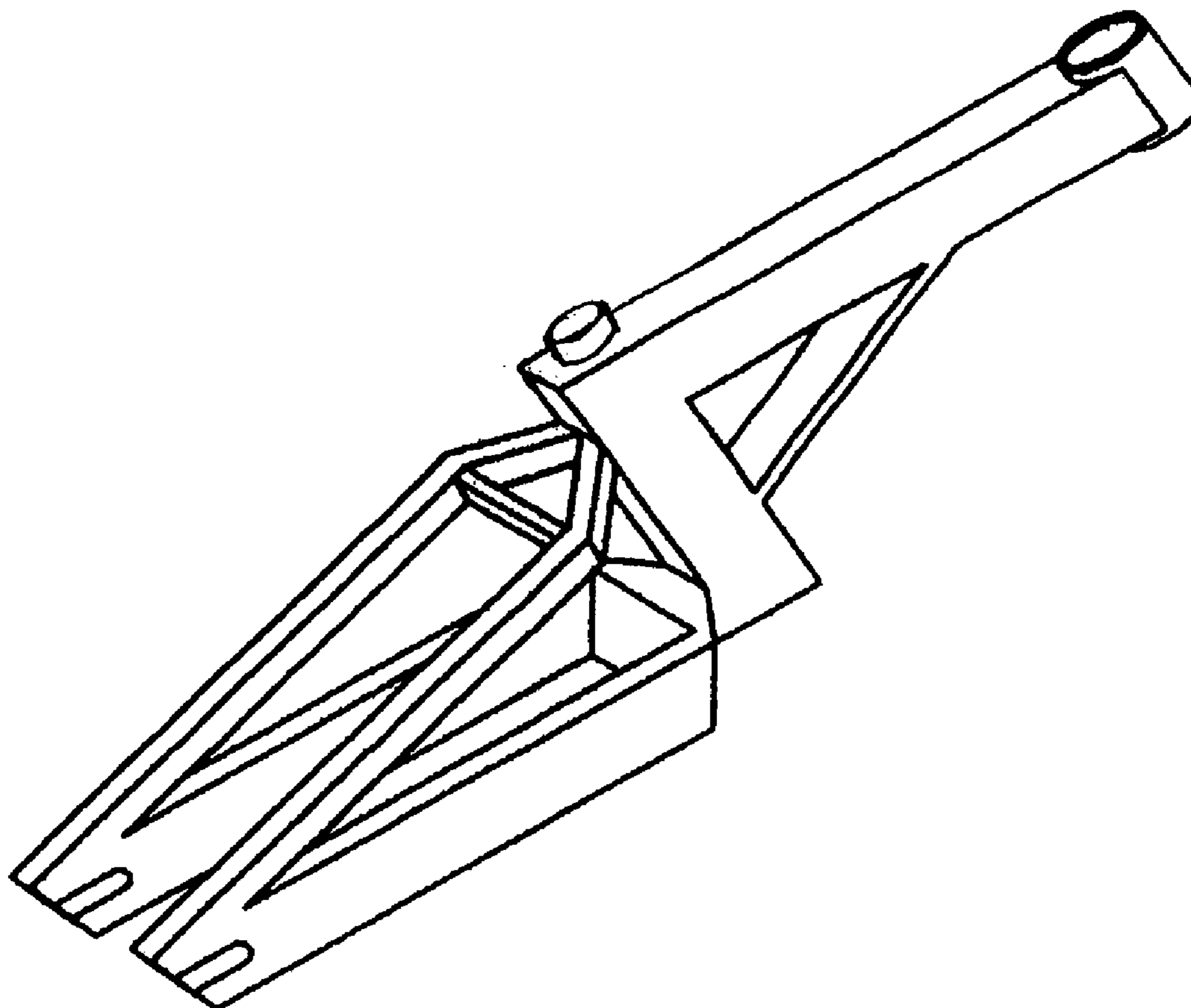
FIG. 4 is a rear elevational view thereof;

FIG. 5 is a front elevational view thereof; and,

FIG. 6 is a perspective view of the bicycle frame of FIG. 1.

The broken lines shown are for illustrative purposes only
and form no part of the claimed design.

1 Claim, 2 Drawing Sheets



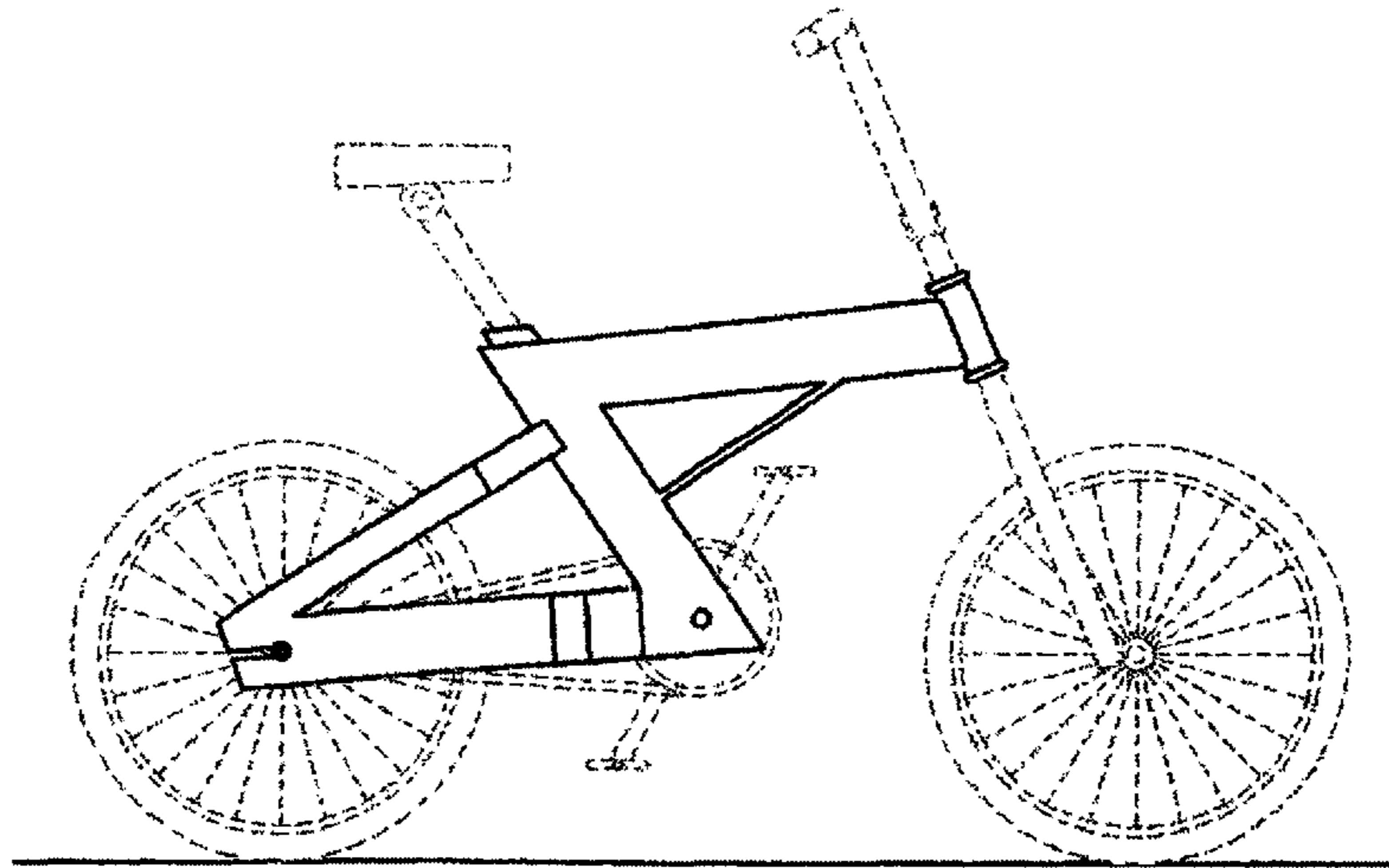


Fig. 1



Fig. 2



Fig. 3

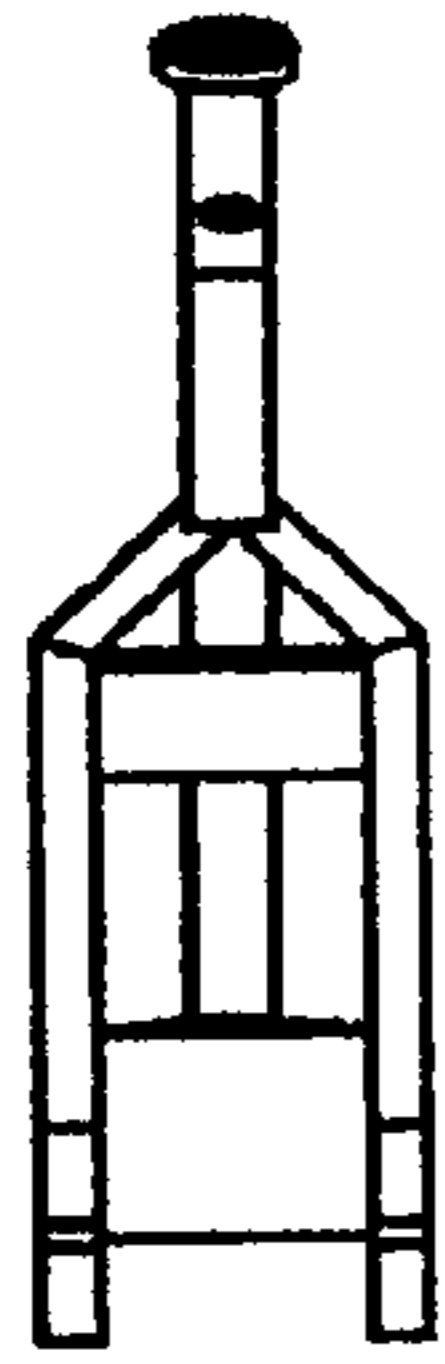


Fig. 4



Fig. 5

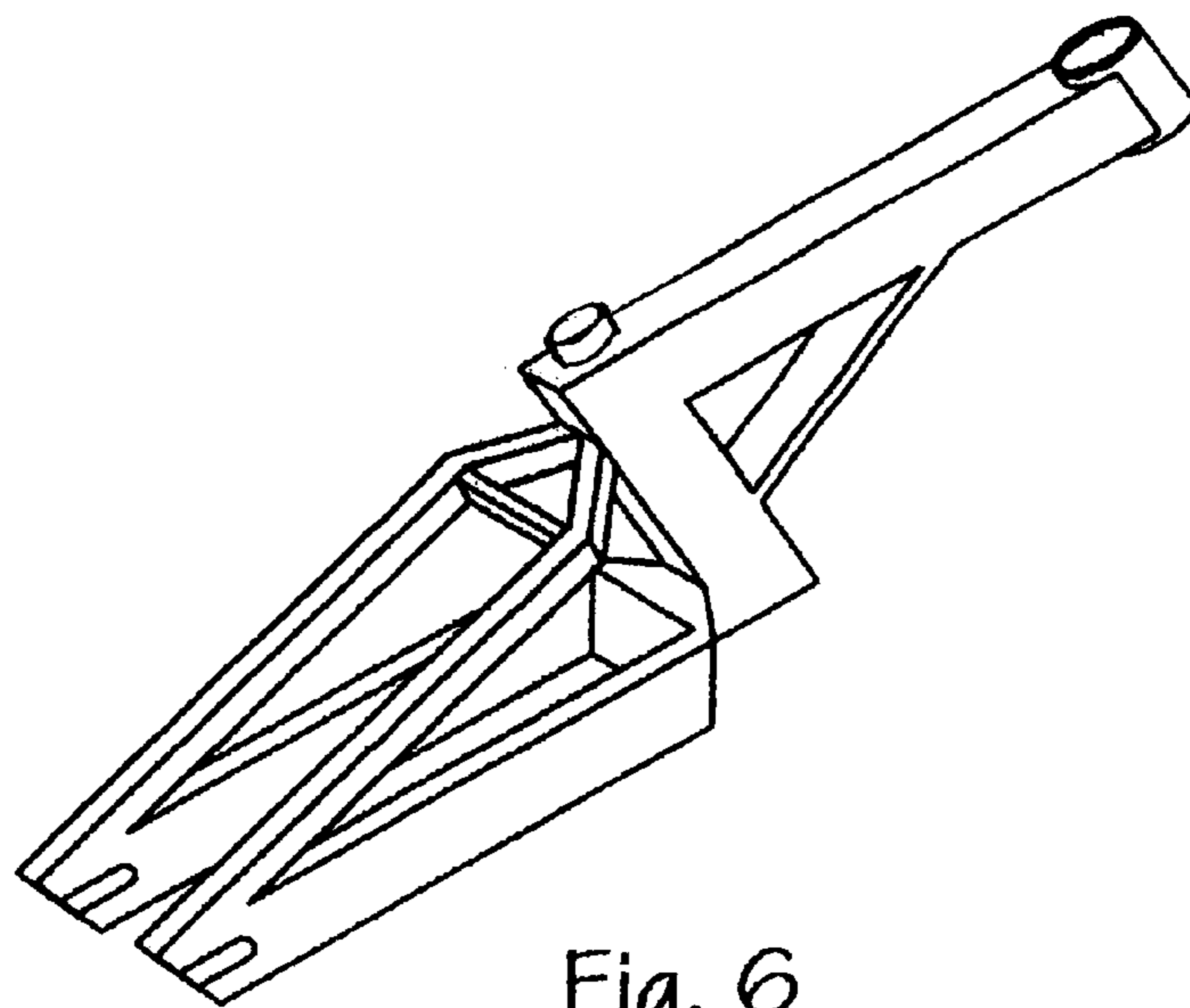


Fig. 6