



US00D516468S

(12) **United States Design Patent**  
**Kuboshima et al.**

(10) **Patent No.:** **US D516,468 S**  
(45) **Date of Patent:** **\*\* Mar. 7, 2006**

(54) **MOTORCYCLE**

(75) Inventors: **Kenichiro Kuboshima, Wako (JP);**  
**Yumio Shibata, Wako (JP)**

(73) Assignee: **Honda Giken Kogyo Kabushiki**  
**Kaisha, Tokyo (JP)**

(\*\*) Term: **14 Years**

(21) Appl. No.: **29/179,603**

(22) Filed: **Apr. 14, 2003**

(30) **Foreign Application Priority Data**

Oct. 15, 2002 (JP) ..... 2002-028073

(51) **LOC (8) Cl.** ..... **12-11**

(52) **U.S. Cl.** ..... **D12/110**

(58) **Field of Classification Search** ..... **D12/110;**  
**180/219**

See application file for complete search history.

(56) **References Cited**

**U.S. PATENT DOCUMENTS**

D372,443 S \* 8/1996 Kishi et al. .... D12/110

D396,204 S \* 7/1998 Kishi et al. .... D12/110

\* cited by examiner

*Primary Examiner*—Alan P. Douglas  
*Assistant Examiner*—Linda Brooks

(74) *Attorney, Agent, or Firm*—Arent Fox PLLC

(57) **CLAIM**

The ornamental design for a motorcycle, as shown and described.

**DESCRIPTION**

FIG. 1: a front view of a motorcycle showing my new design.

FIG. 2: a rear view thereof.

FIG. 3: a plan view thereof.

FIG. 4: a bottom view thereof.

FIG. 5: a right side view thereof.

FIG. 6: a left side view thereof.

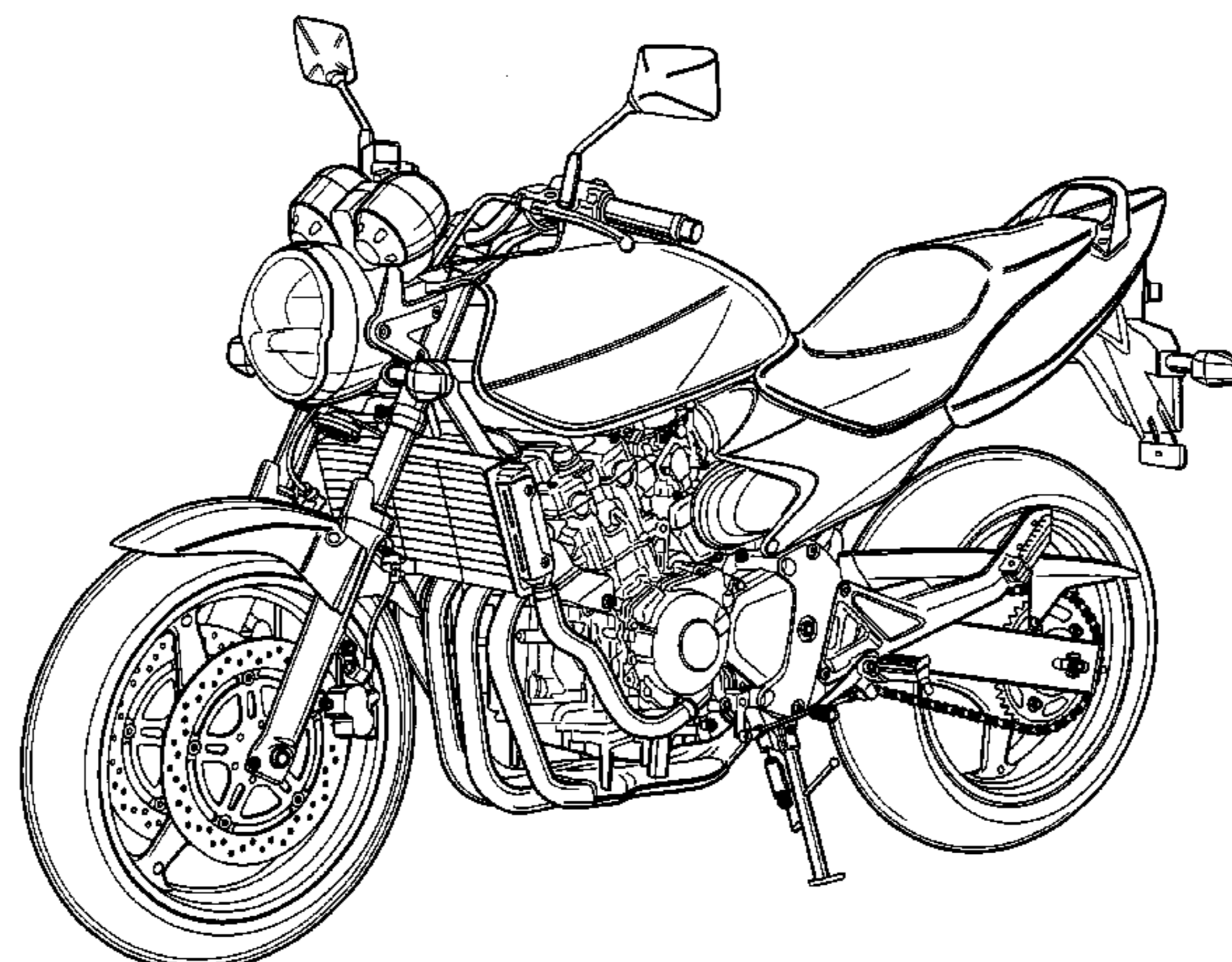
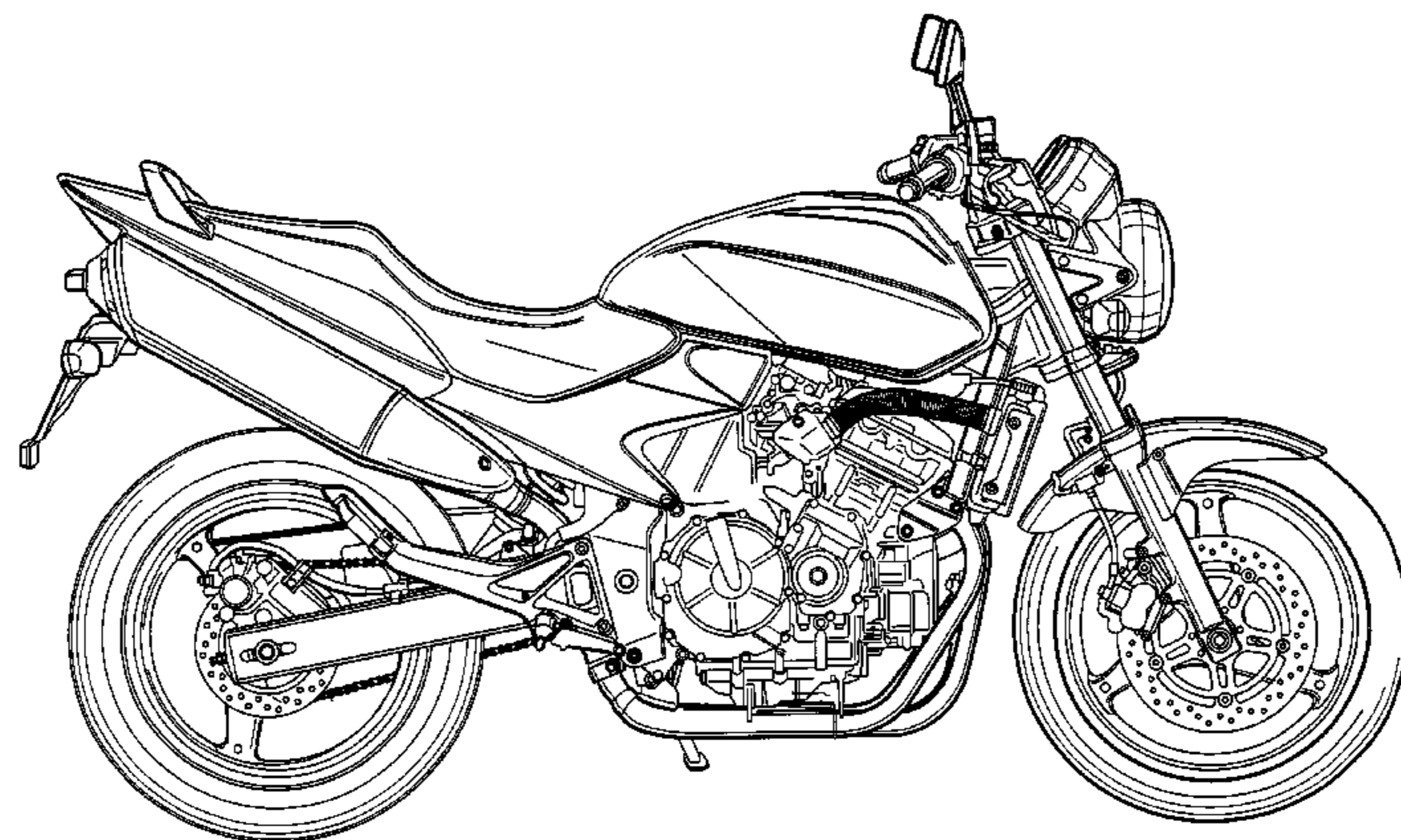
FIG. 7: a front perspective view thereof seen from the right side.

FIG. 8: a front perspective view thereof seen from the left side.

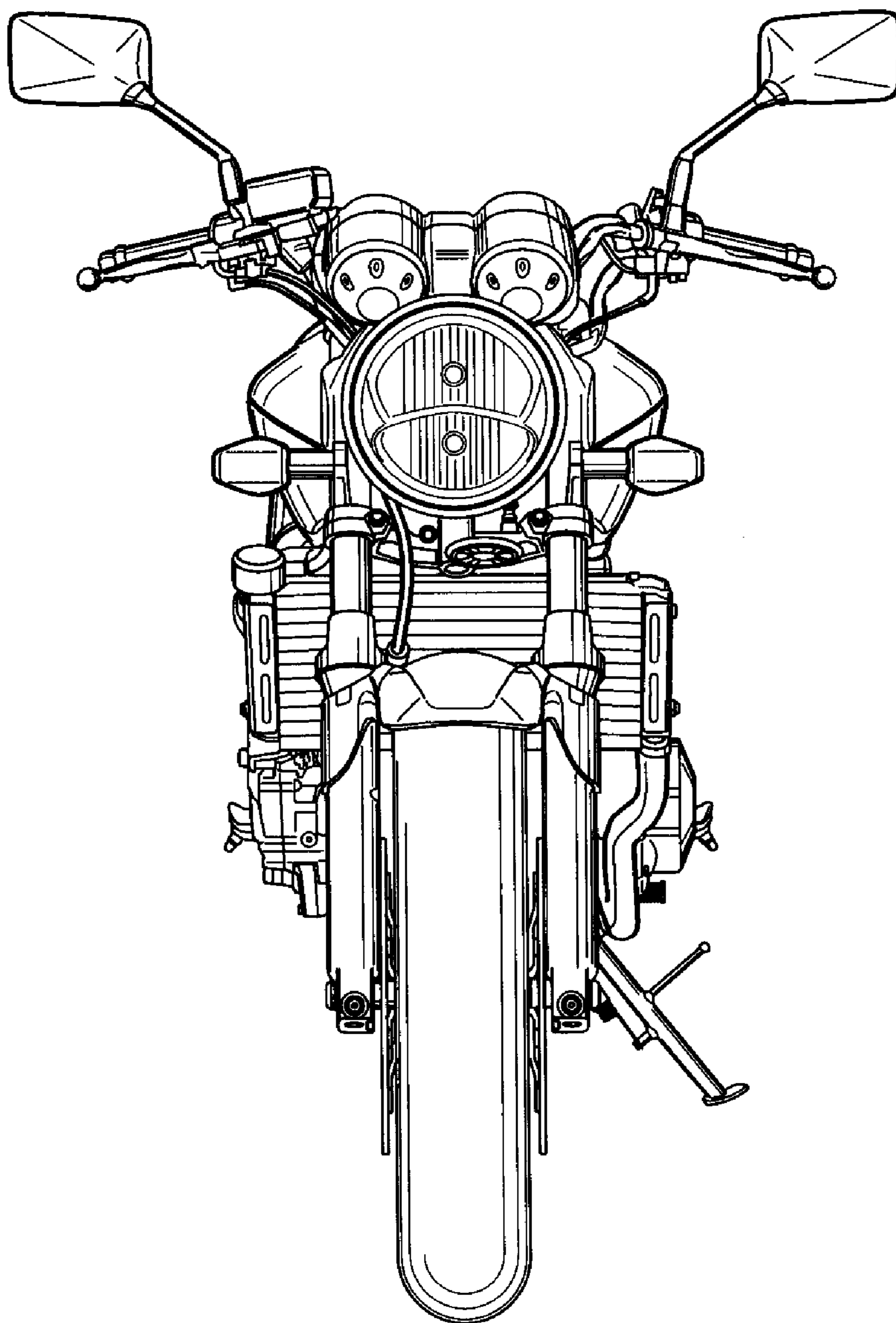
FIG. 9: a rear perspective view thereof seen from the right side; and,

FIG. 10: a rear perspective view thereof seen from the left side.

**1 Claim, 10 Drawing Sheets**



# FIG. 1



# FIG.2

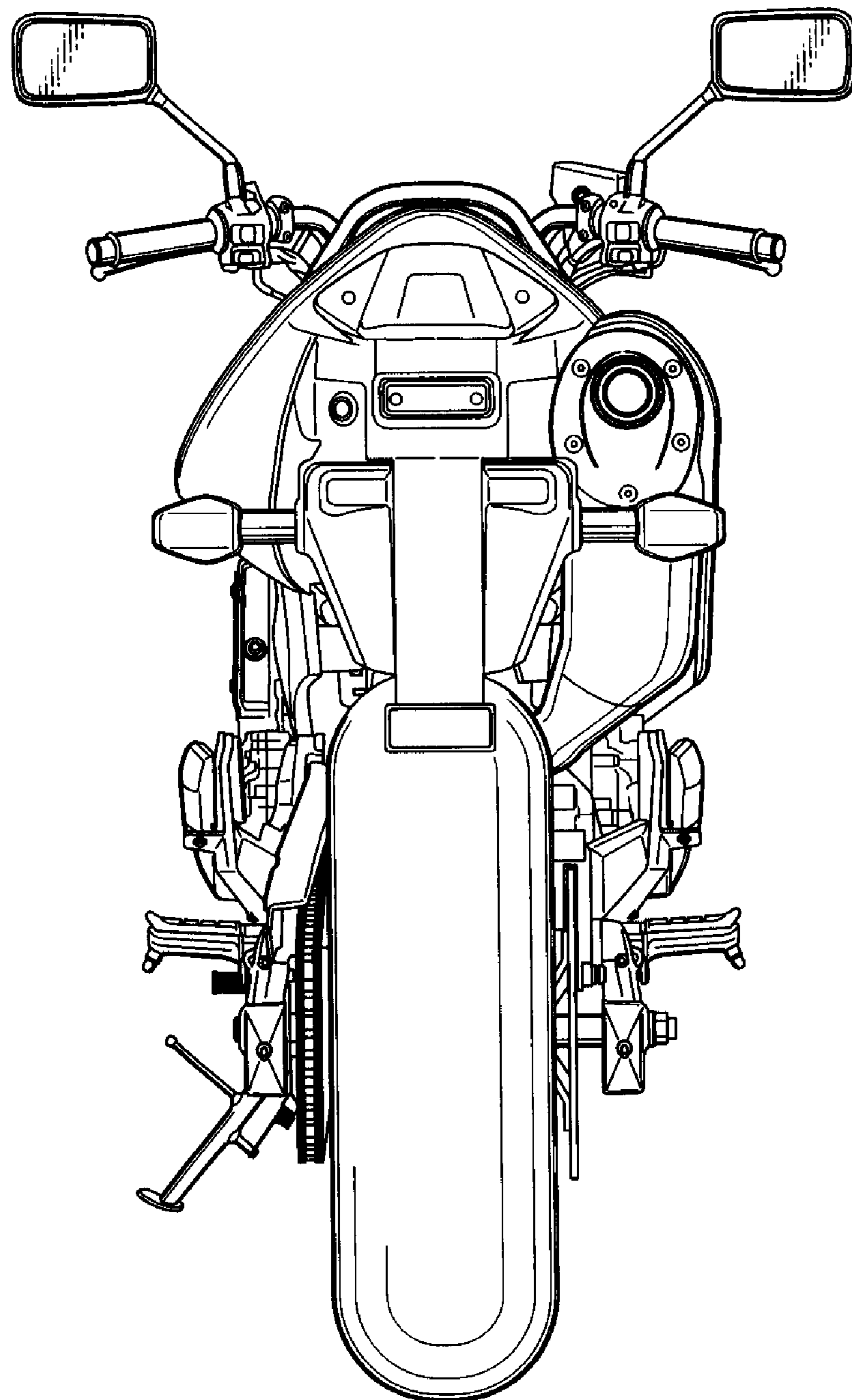


FIG.3

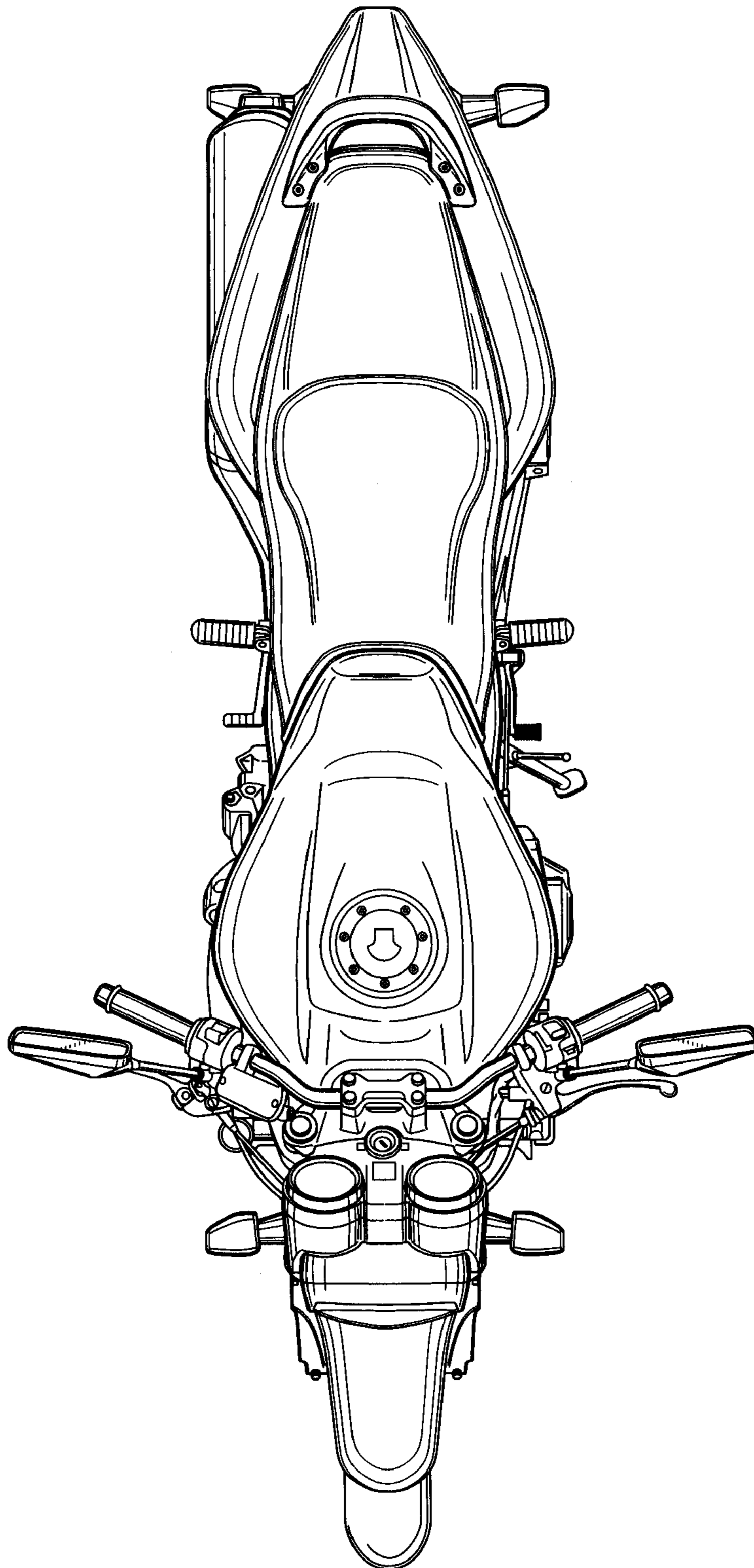
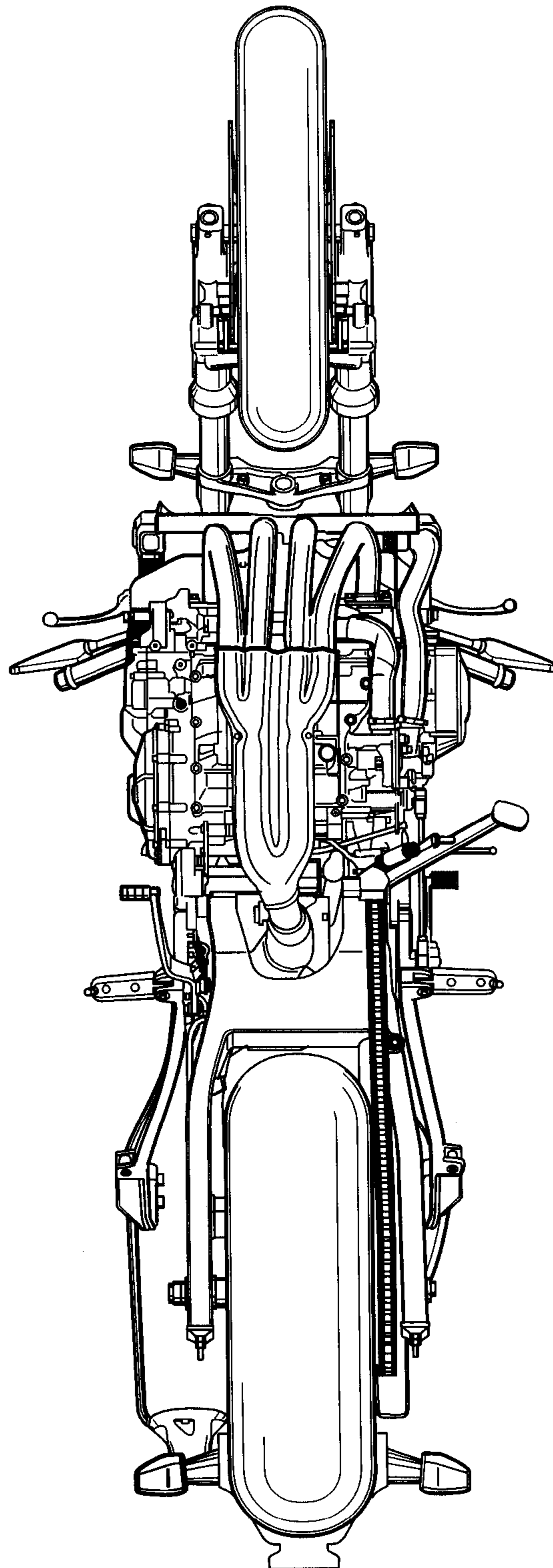


FIG.4



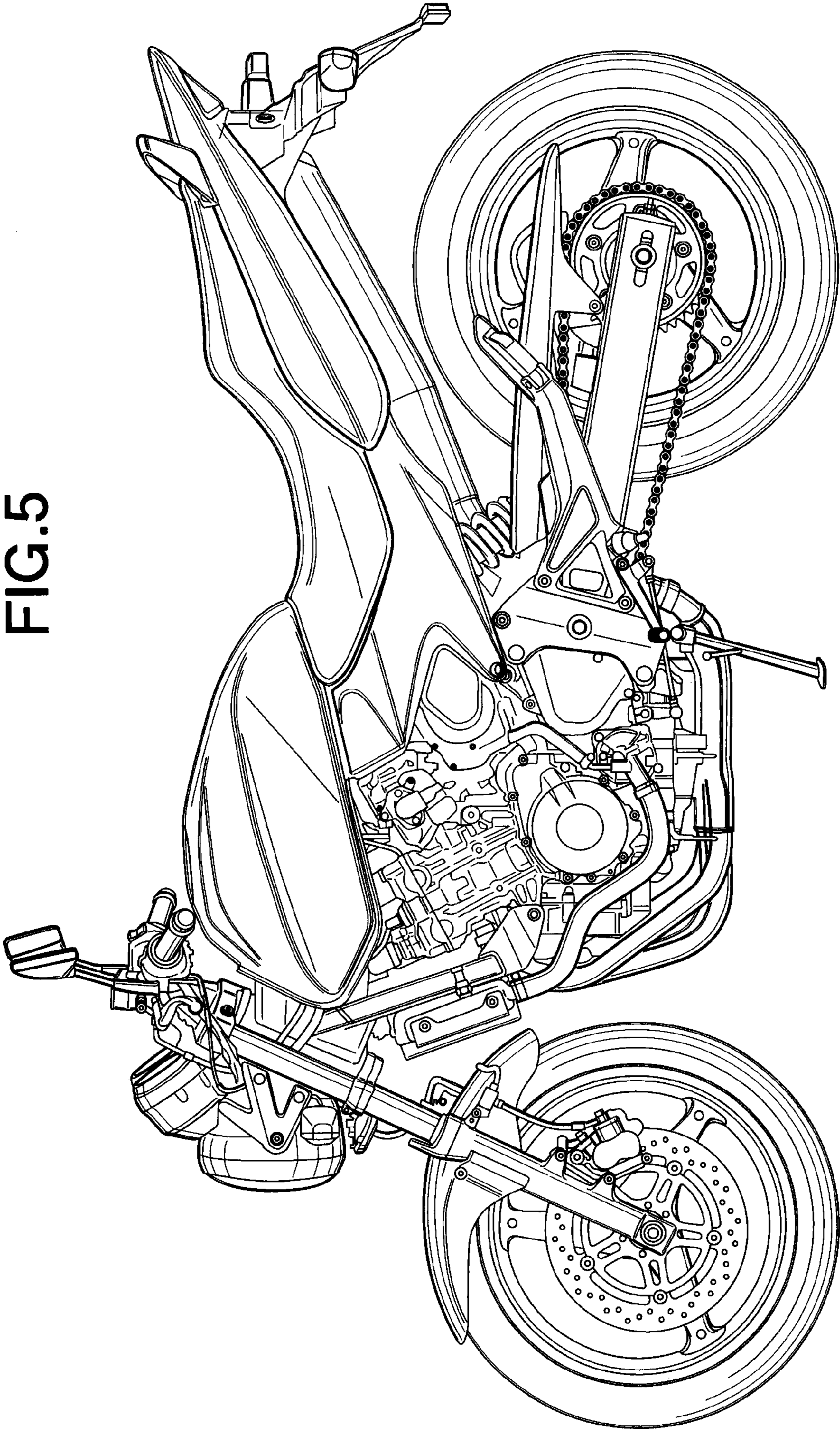


FIG.5

FIG.6

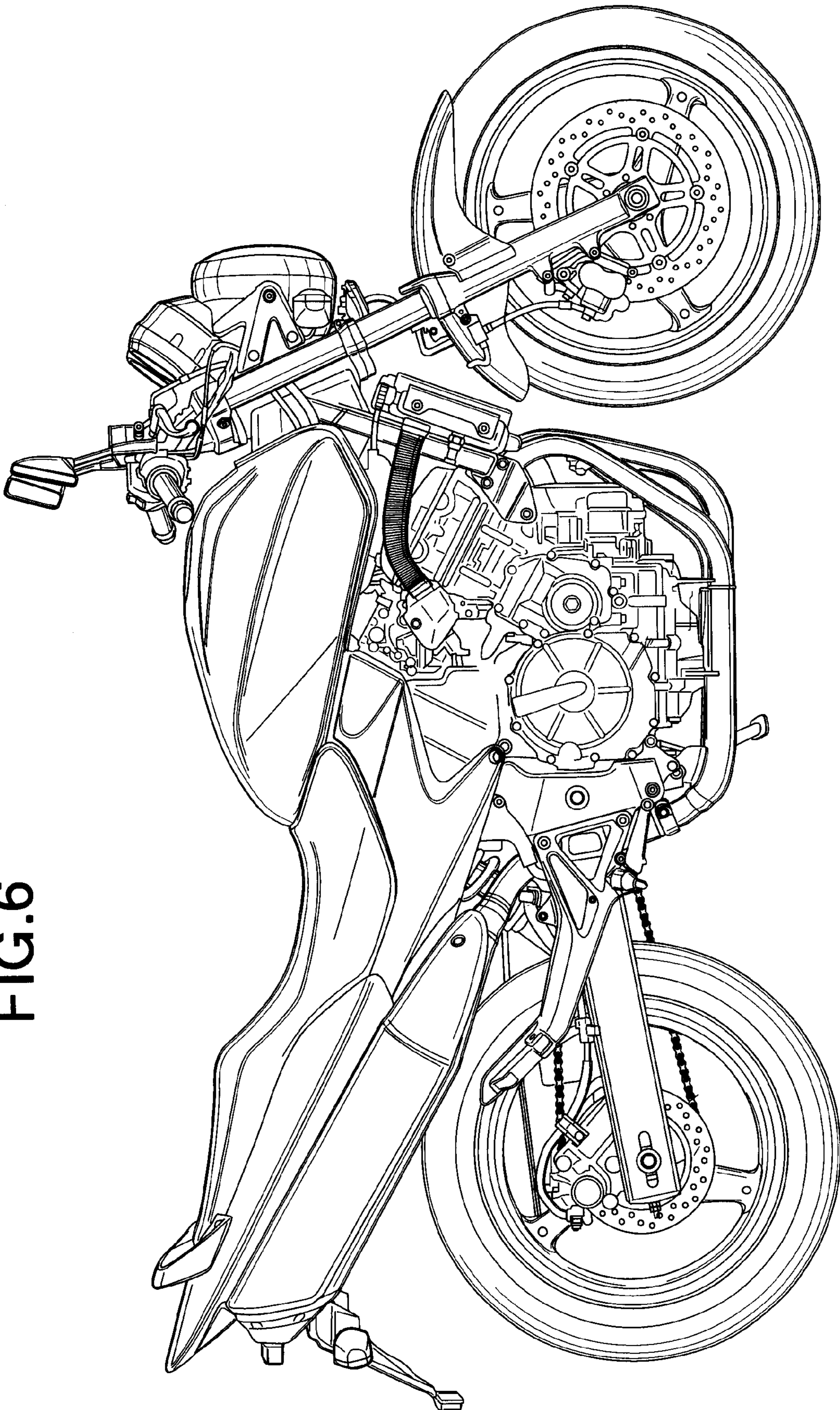
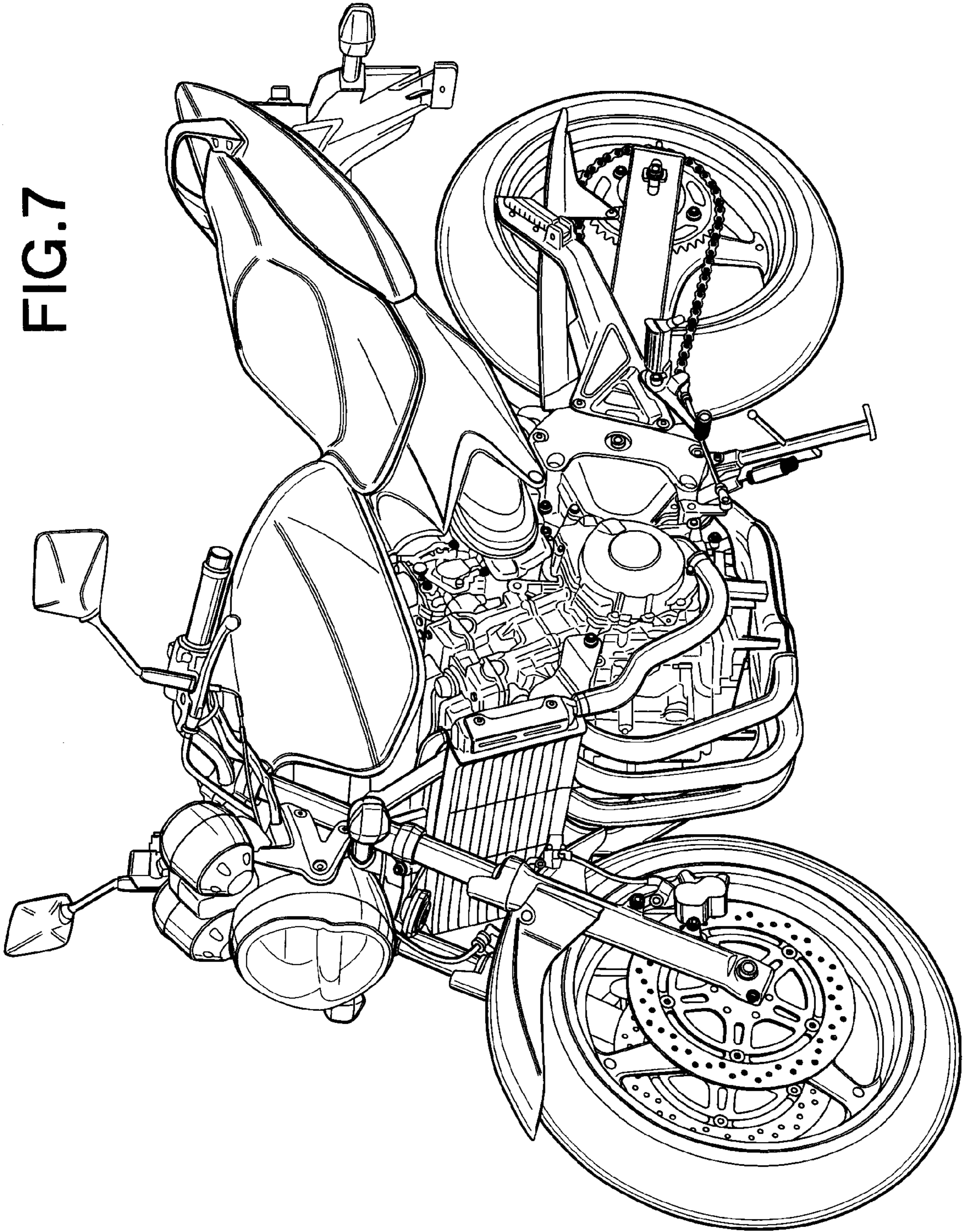


FIG. 7





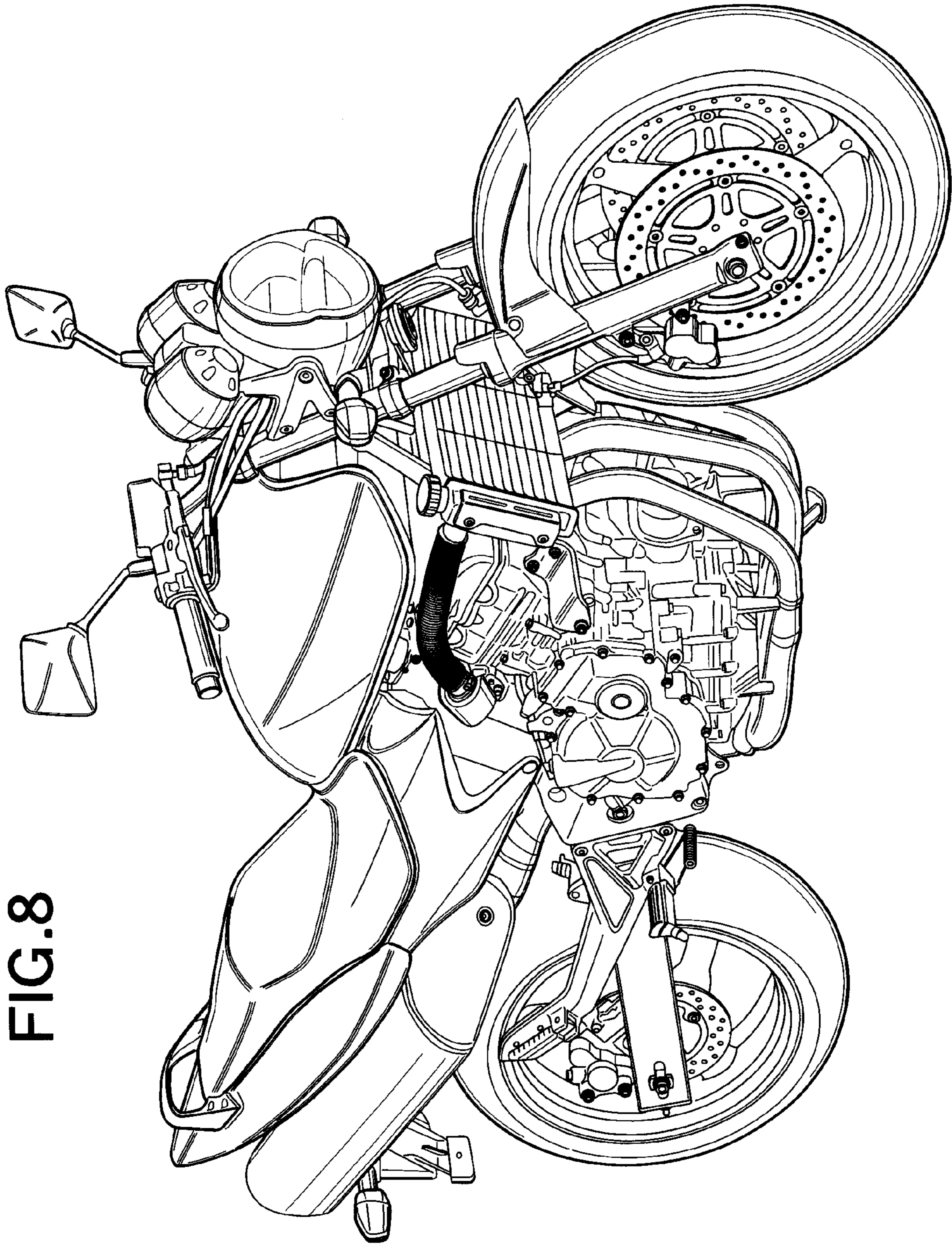


FIG. 8

FIG.9

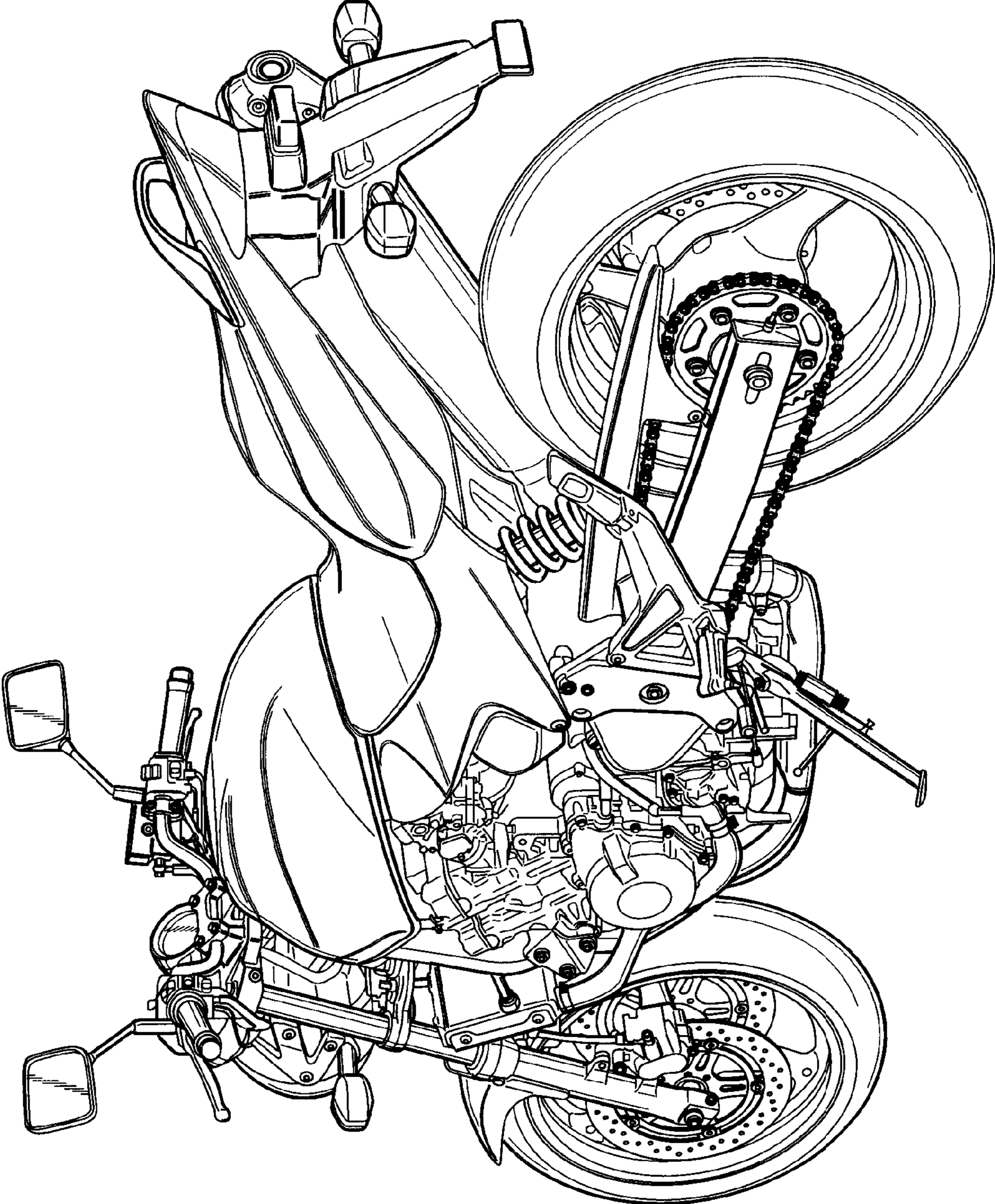


FIG.10

