

US00D516467S

(12) **United States Design Patent**
Wu

(10) **Patent No.:** **US D516,467 S**
(45) **Date of Patent:** **** Mar. 7, 2006**

- (54) **ALL-TERRAIN VEHICLE**
- (75) **Inventor:** **Wen-Yung Wu, Kaohsiung (TW)**
- (73) **Assignee:** **Kwang Yang Motor Co., Ltd.,
Kaohsiung (TW)**
- (**) **Term:** **14 Years**
- (21) **Appl. No.:** **29/212,389**
- (22) **Filed:** **Sep. 1, 2004**
- (51) **LOC (8) Cl.** **12-11**
- (52) **U.S. Cl.** **D12/107**
- (58) **Field of Classification Search** **D12/3,**
D12/86, 87, 107, 110; 180/225, 229, 233,
180/311, 312, 315
See application file for complete search history.

D458,562 S * 6/2002 Kalhok et al. D12/107
D496,308 S * 9/2004 Wu D12/107

* cited by examiner

Primary Examiner—Alan P. Douglas
Assistant Examiner—Linda Brooks
(74) *Attorney, Agent, or Firm*—Leong C. Li

(57) **CLAIM**

The ornamental design for an all-terrain vehicle, as shown and described.

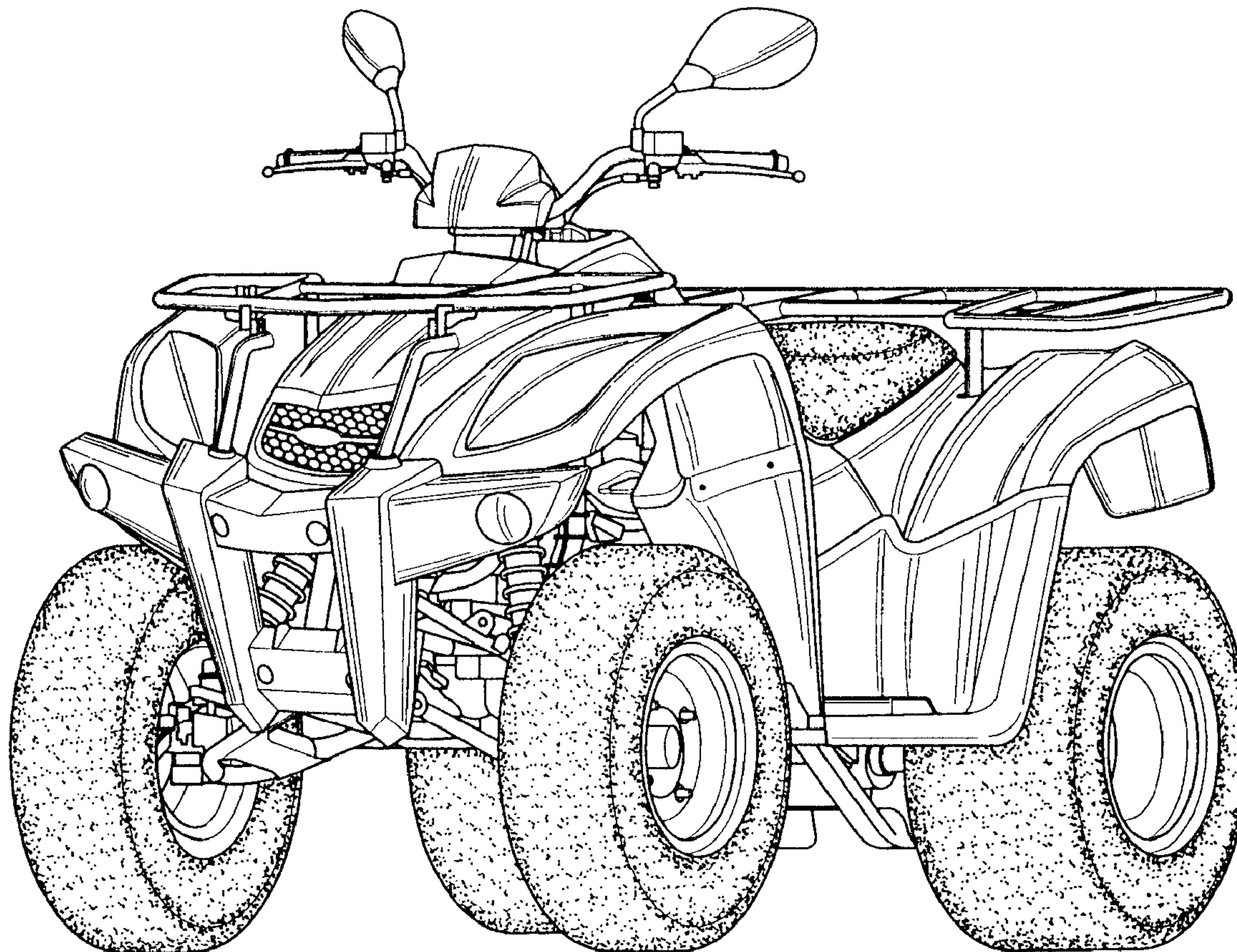
DESCRIPTION

FIG. 1 is perspective view of an all-terrain vehicle showing my new design;
FIG. 2 is a front side elevation view thereof;
FIG. 3 is a rear side elevation view thereof;
FIG. 4 is a left side elevation view thereof;
FIG. 5 is a right side elevation view thereof;
FIG. 6 is a top plan view thereof; and,
FIG. 7 is a bottom plan view thereof.

(56) **References Cited**
U.S. PATENT DOCUMENTS

D327,457 S * 6/1992 Saito D12/107
D349,078 S * 7/1994 Kimura et al. D12/107

1 Claim, 4 Drawing Sheets



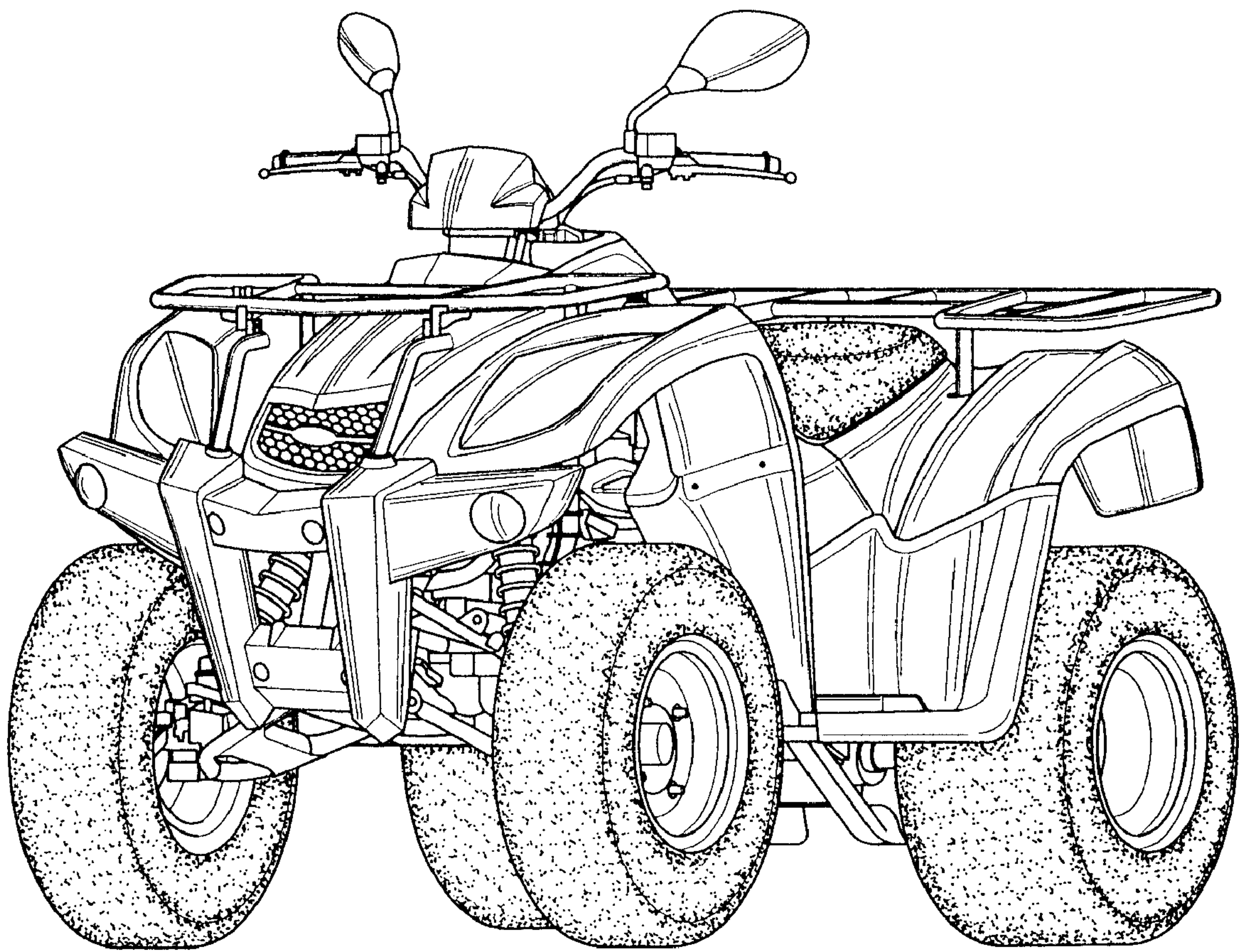


FIG.1

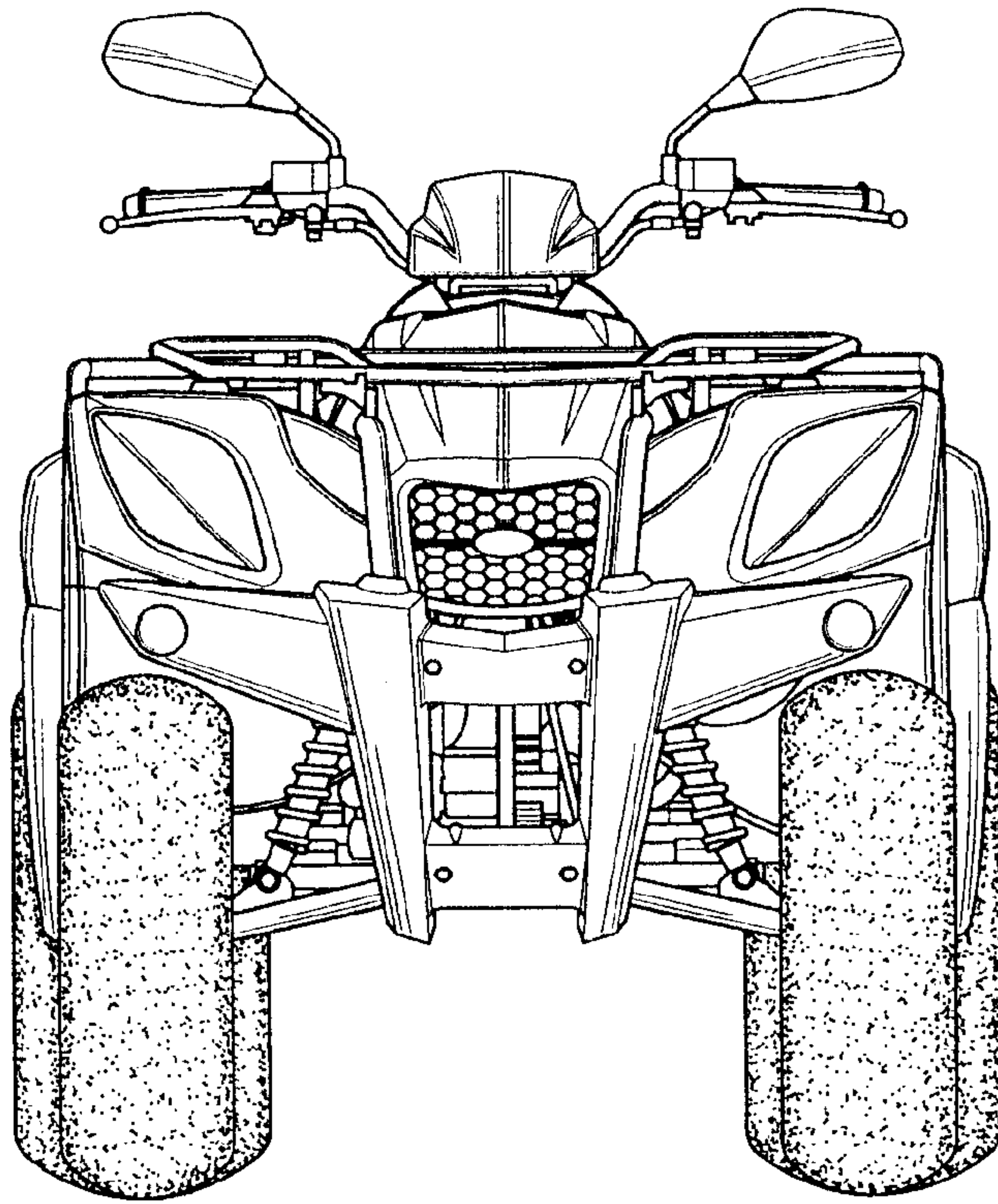


FIG. 2

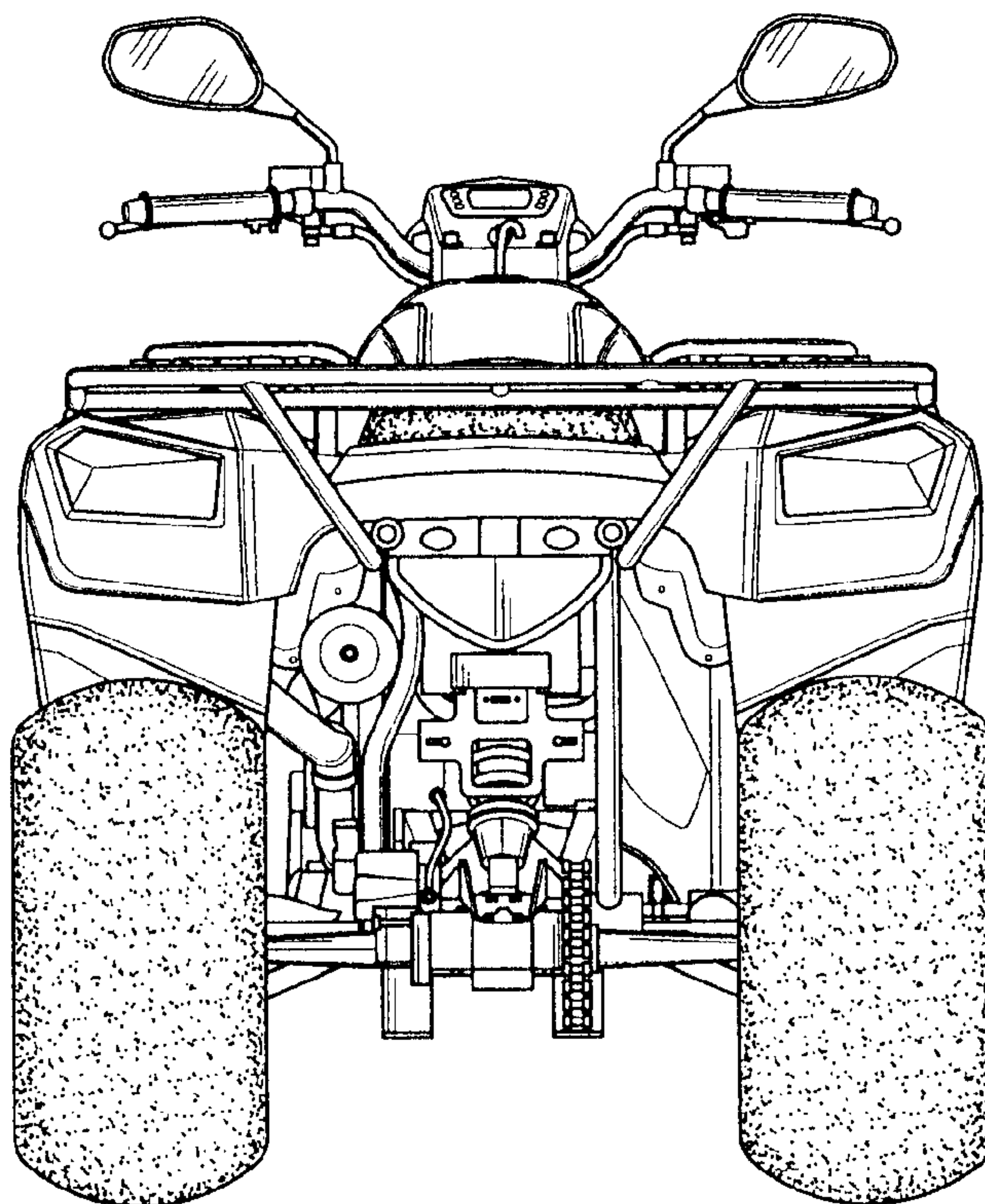


FIG. 3

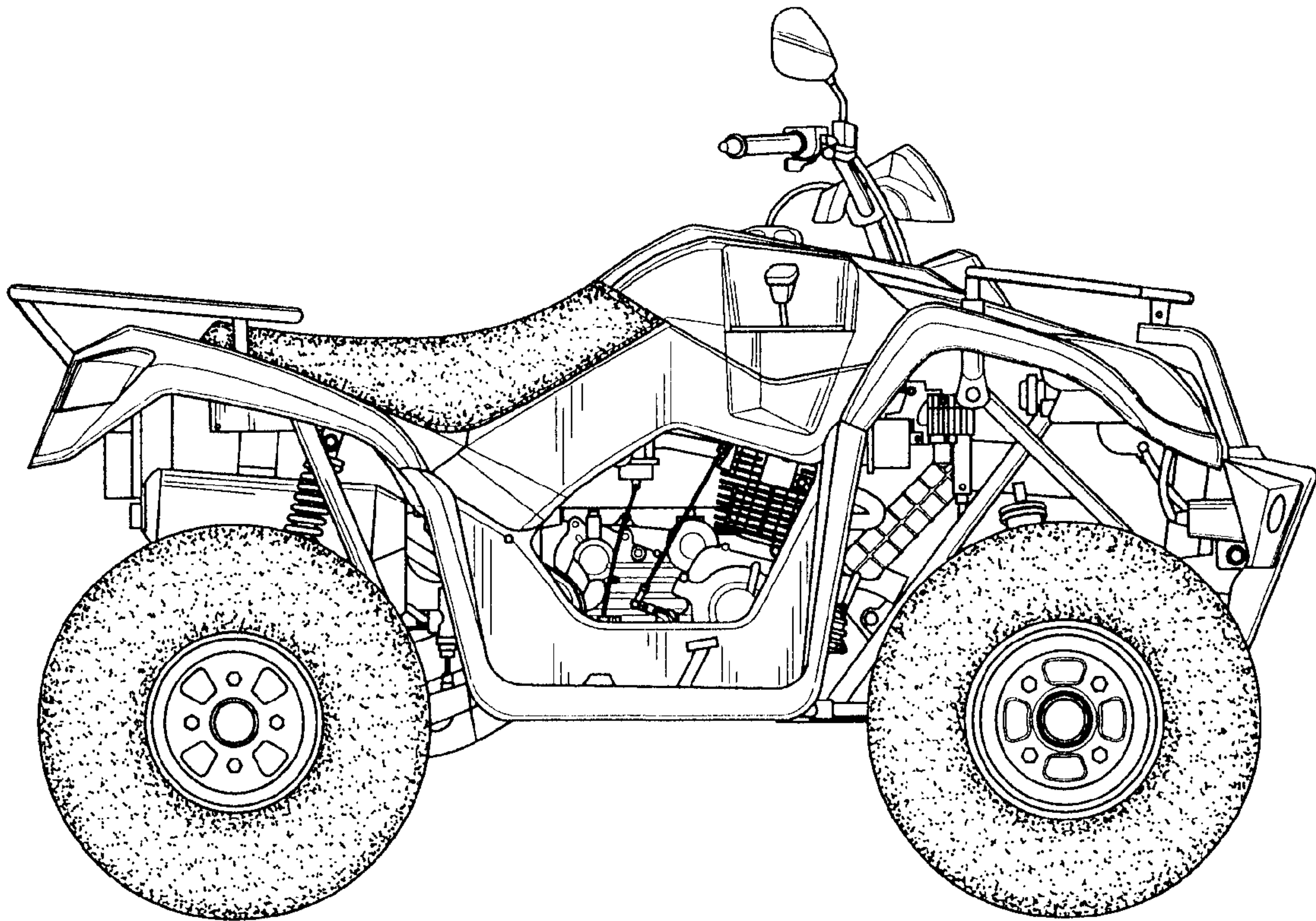


FIG. 4

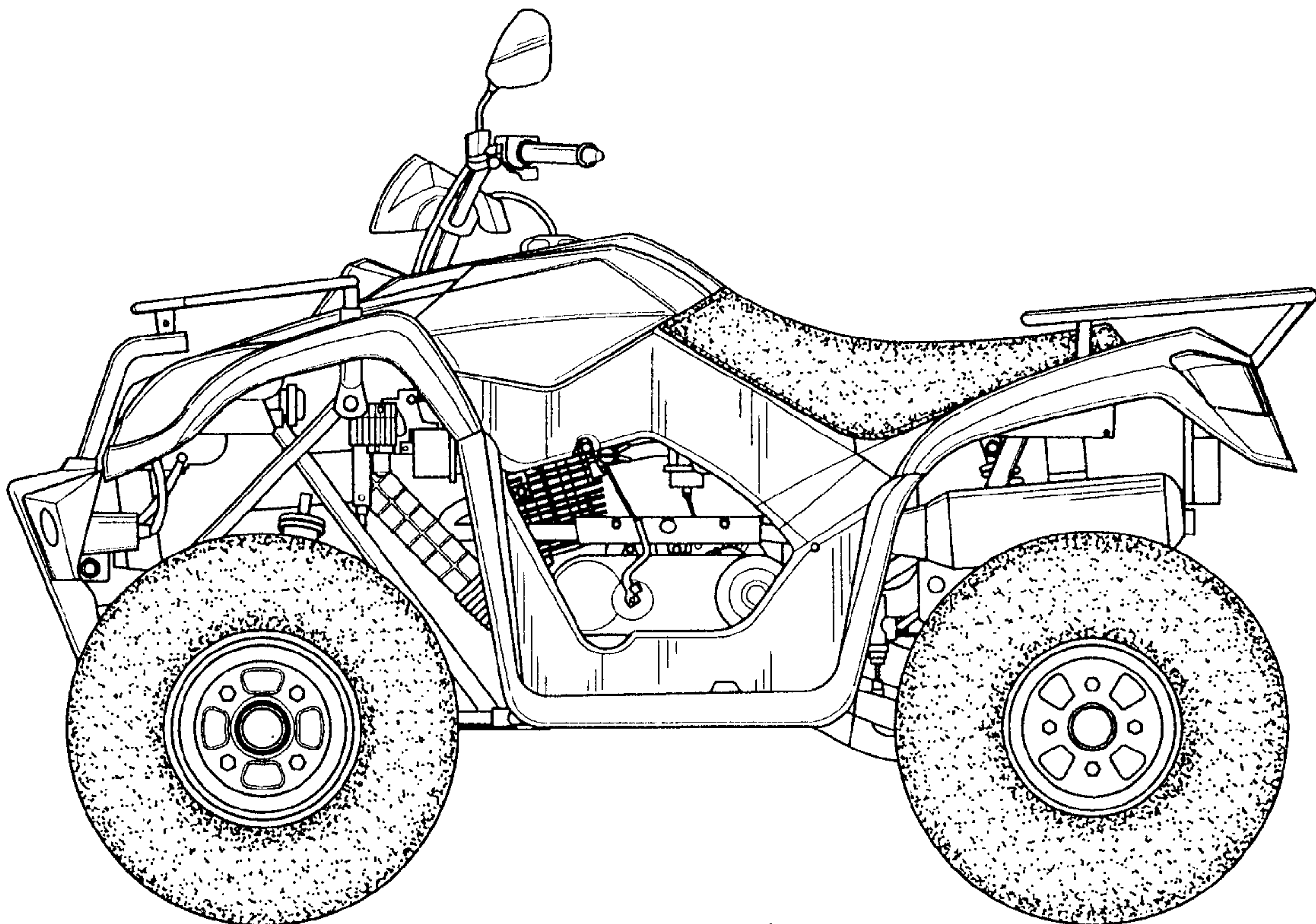


FIG. 5

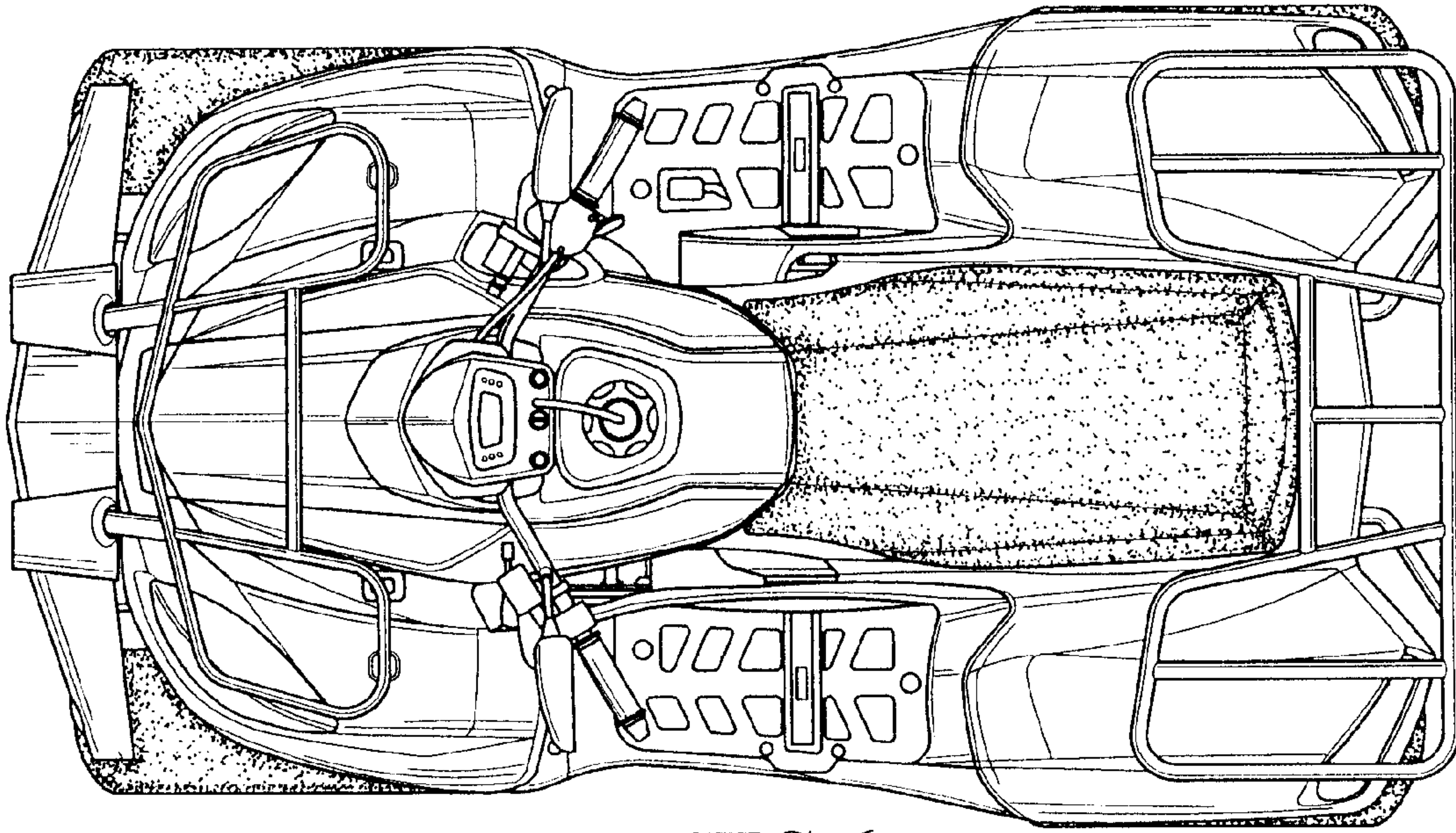


FIG. 6

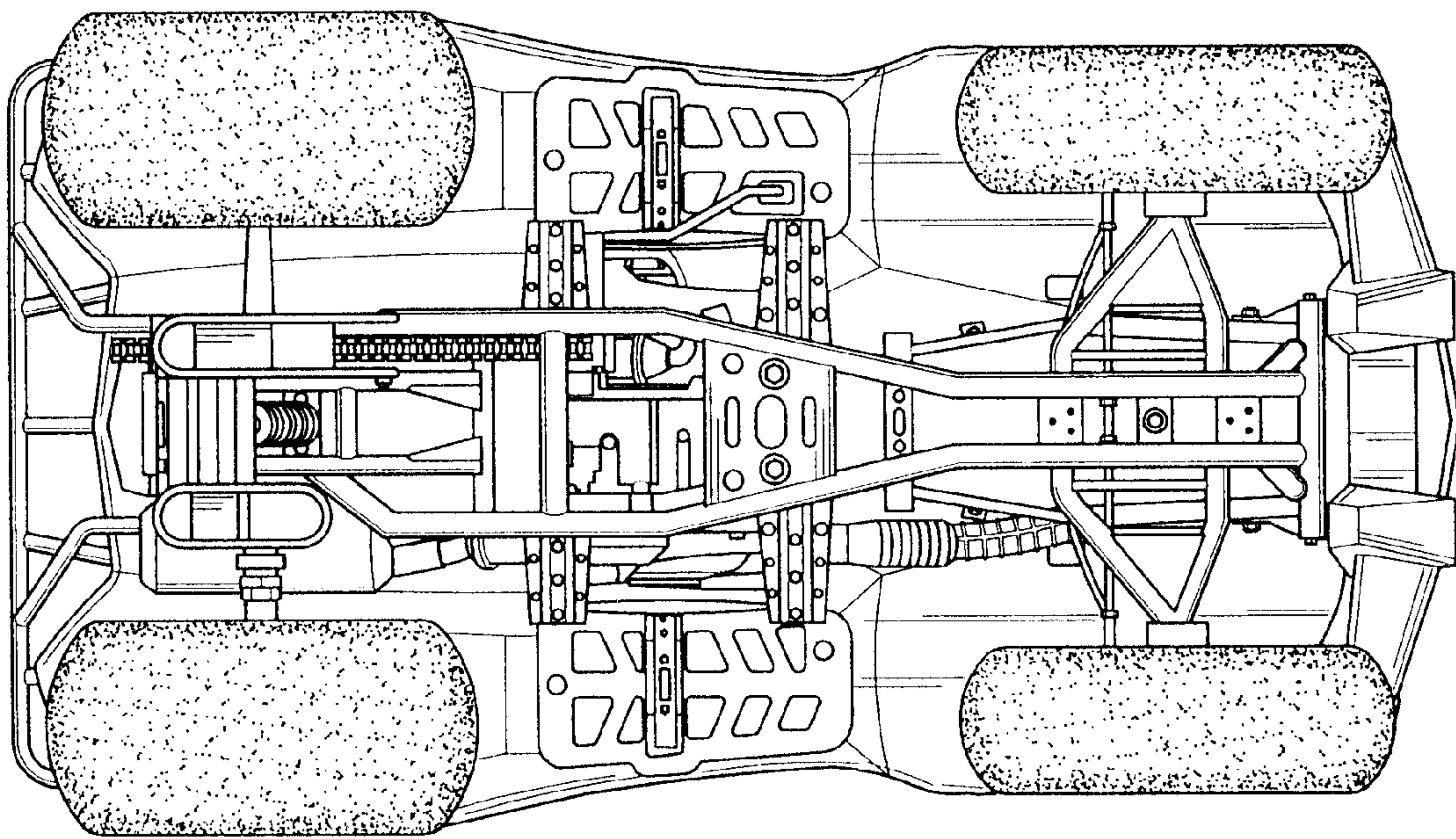


FIG. 7