



US00D516461S

(12) **United States Design Patent**
Weiser

(10) **Patent No.:** **US D516,461 S**
(45) **Date of Patent:** **** Mar. 7, 2006**

(54) **SNAIL NOVELTY**

(75) **Inventor:** **Margaret Weiser, Tarzana, CA (US)**

(73) **Assignee:** **Exhart Environmental Systems, Inc., Chatsworth, CA (US)**

(**) **Term:** **14 Years**

(21) **Appl. No.:** **29/221,711**

(22) **Filed:** **Jan. 19, 2005**

Related U.S. Application Data

(63) Continuation of application No. 29/188,688, filed on Aug. 21, 2003, now abandoned.

(51) **LOC (8) Cl.** **11-02**

(52) **U.S. Cl.** **D11/141; D21/458; D23/412**

(58) **Field of Classification Search** **D21/455, D21/458, 585-594; D11/117, 121, 127, 131, D11/141, 157, 158-164; D10/54, 59; D23/370-386, D23/411-414; 446/34-68, 87, 89, 102, 119, 446/169, 176, 178, 199, 201, 217, 218, 236, 446/238, 486, 487, 490; 40/411-424, 430, 40/439, 440, 441, 473, 477, 479; 70/170.01, 70/170.05; 415/142, 208.1, 208.2, 211.1, 415/211.2, 219.1, 220, 223, 228, 905, 908; 416/55, 61, 63, 179-185, 186 R, 187, 189, 416/191, 192, 198 R, 244 R, 245 R, 247 R, 416/DIG. 6**

See application file for complete search history.

(56) **References Cited**

U.S. PATENT DOCUMENTS

339,030 A	*	3/1886	Smith	415/142
596,385 A		12/1897	Simon	
854,190 A	*	5/1907	Wiedemann	40/477
1,144,932 A	*	6/1915	Buttafoco	446/201
1,256,816 A	*	2/1918	Muldner, Jr.	415/220
1,297,777 A	*	3/1919	Banks	446/201
1,518,212 A		12/1924	Mayne	
1,538,562 A		5/1925	Koshalko	

1,910,923 A		5/1933	Kerr	
1,940,490 A	*	12/1933	Frazier	40/413
2,346,864 A	*	4/1944	Packard	73/861.85
2,499,446 A	*	3/1950	Anthony	416/5
D160,481 S		10/1950	Cuomo	
D181,083 S	*	9/1957	Wells	D23/382
D182,525 S		4/1958	LaVenson	
D191,246 S		8/1961	Belbow	
D241,461 S	*	9/1976	Lambert	D21/592
4,582,497 A		4/1986	Lyons	
D314,617 S	*	2/1991	Yuen	D23/370
D363,982 S	*	11/1995	Swartzendruber	D23/411
5,469,738 A	*	11/1995	Hendrickson	73/170.07
D381,601 S		7/1997	Wood	
D408,275 S		4/1999	Terrasi	
5,971,828 A		10/1999	Lin	
6,206,747 B1		3/2001	Skwarek	
D444,869 S	*	7/2001	Yip	D23/371
6,364,732 B1		4/2002	Wu	
6,422,913 B1		7/2002	Trejo	
6,475,056 B1		11/2002	Christianson	
D474,860 S		5/2003	Shih	
2002/0182071 A1	*	12/2002	Belady	415/220

* cited by examiner

Primary Examiner—Catherine Tuttle
(74) *Attorney, Agent, or Firm*—Cislo & Thomas LLP

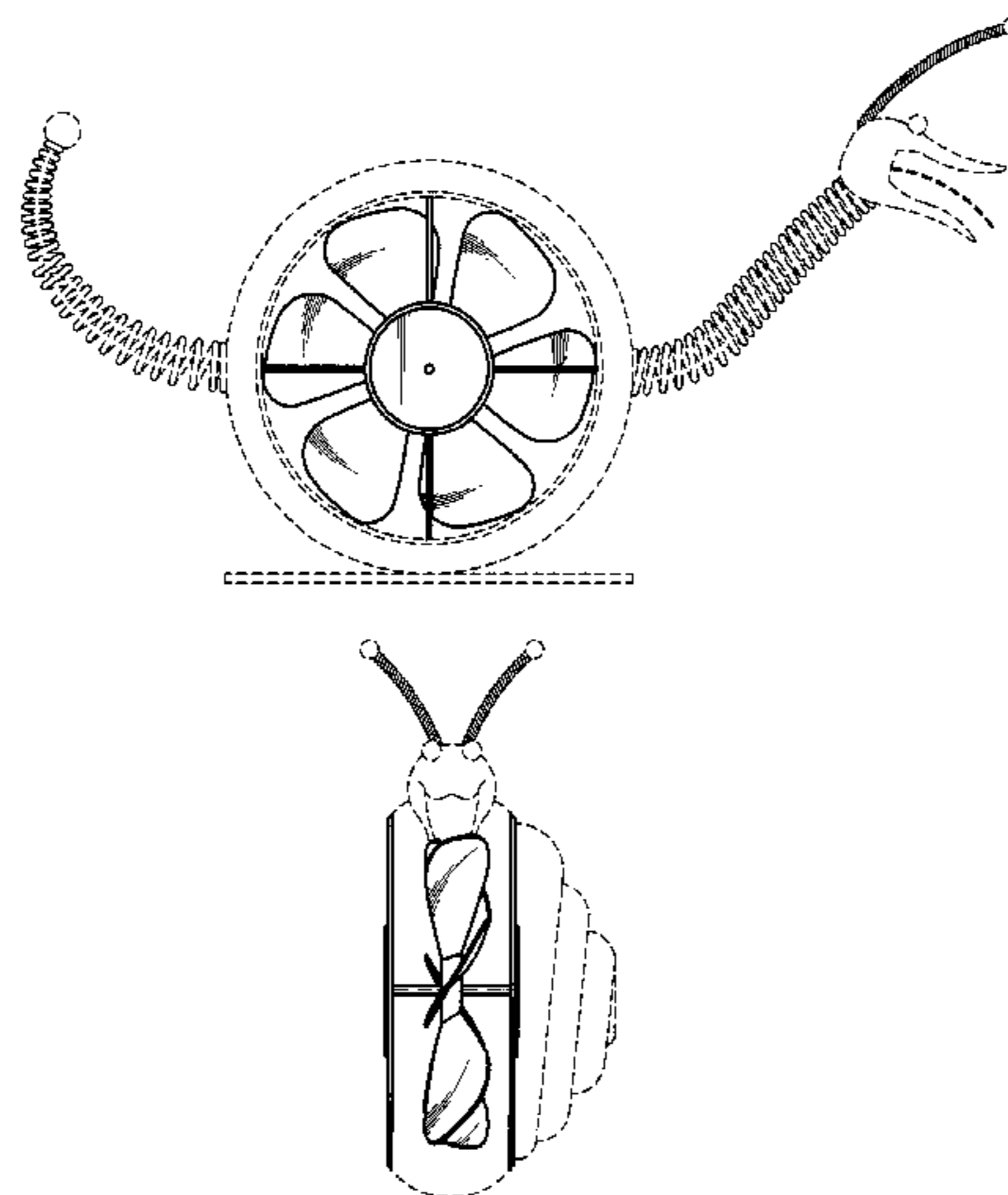
(57) **CLAIM**

I claim the ornamental design for a snail novelty, as shown and described herein.

DESCRIPTION

FIG. 1 is a left side elevational view showing my new design;
FIG. 2 is a front view thereof;
FIG. 3 is a top plan view thereof;
FIG. 4 is a rear view thereof;
FIG. 5 is a right side view thereof; and,
FIG. 6 is a bottom view thereof.
The portions shown in broken lines are for illustrative purposes only; and form no part of the claimed design.

1 Claim, 3 Drawing Sheets



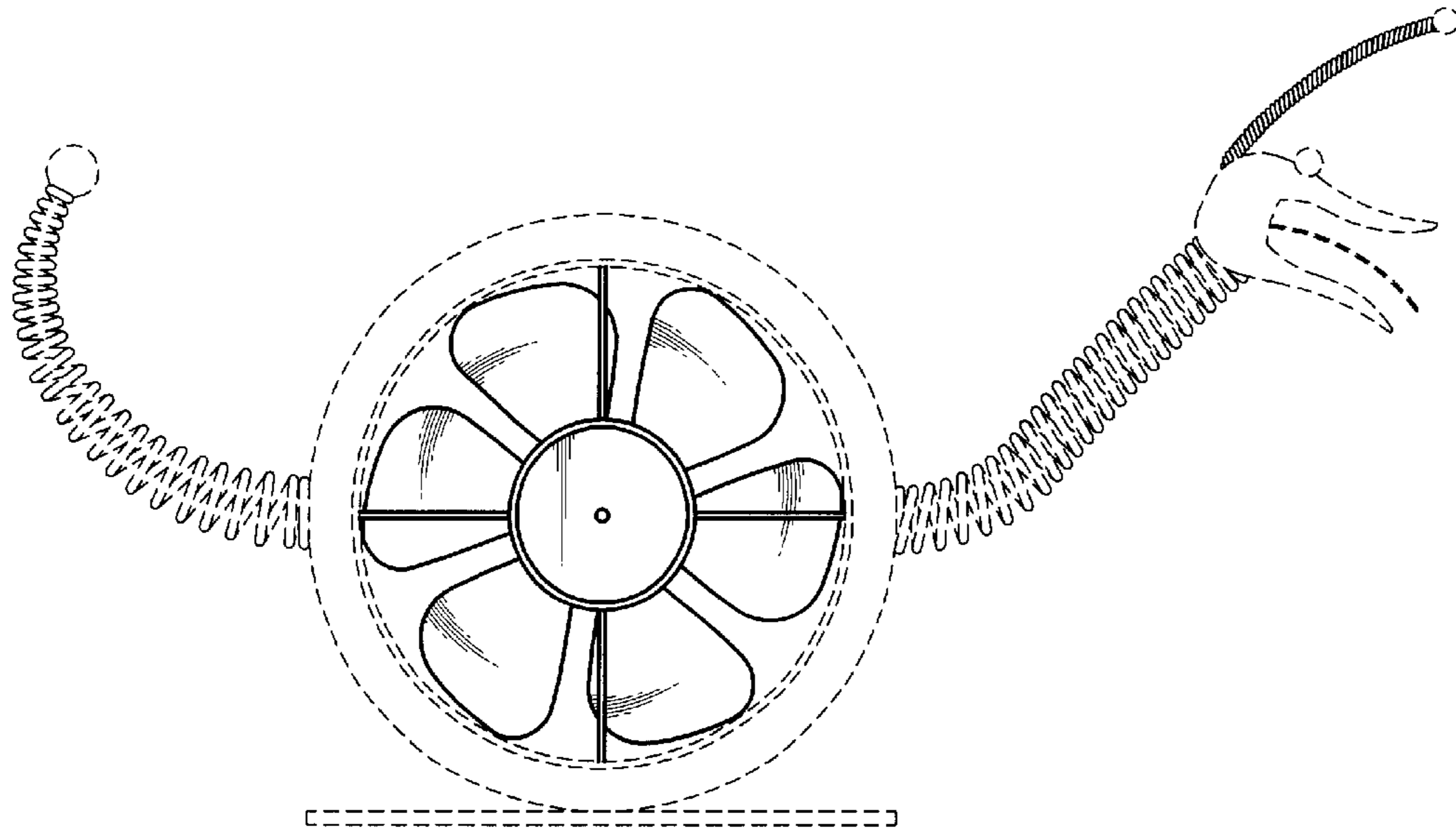


FIG. 1

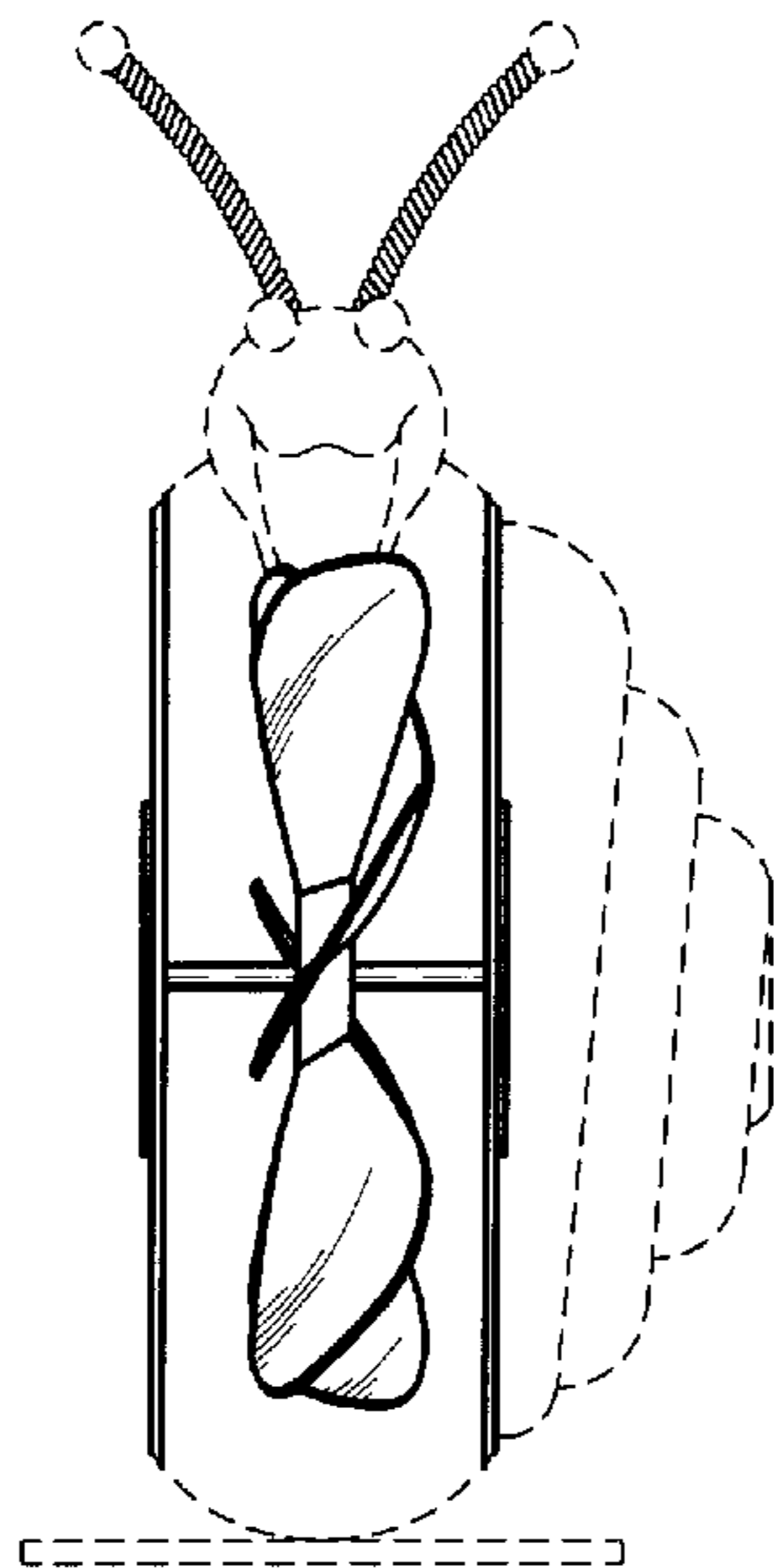


FIG. 2

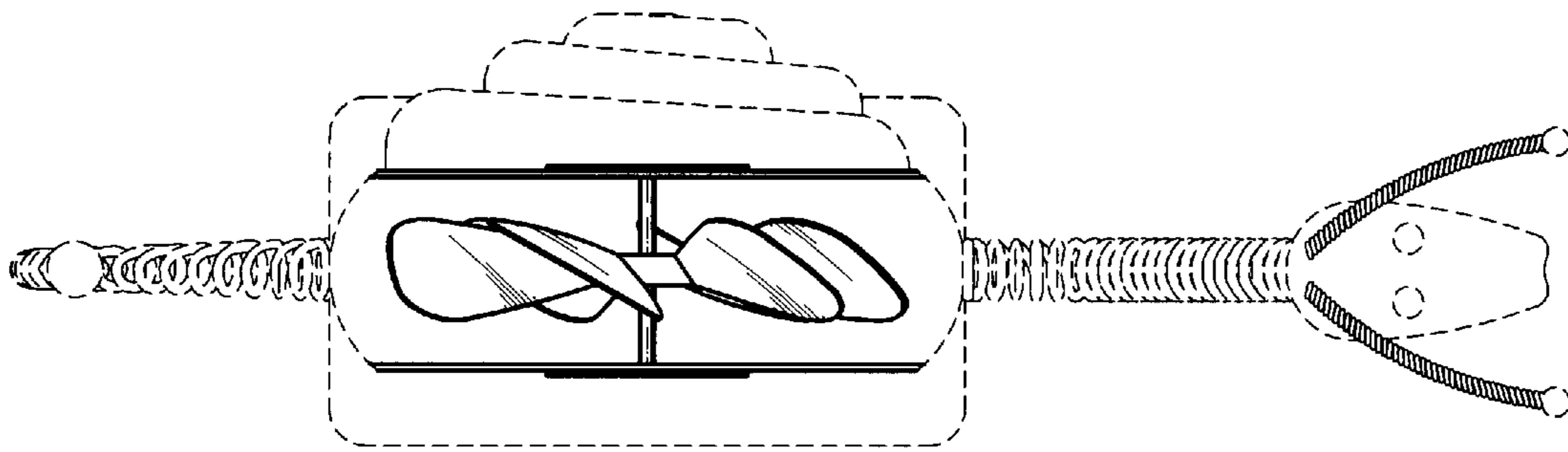


FIG. 3

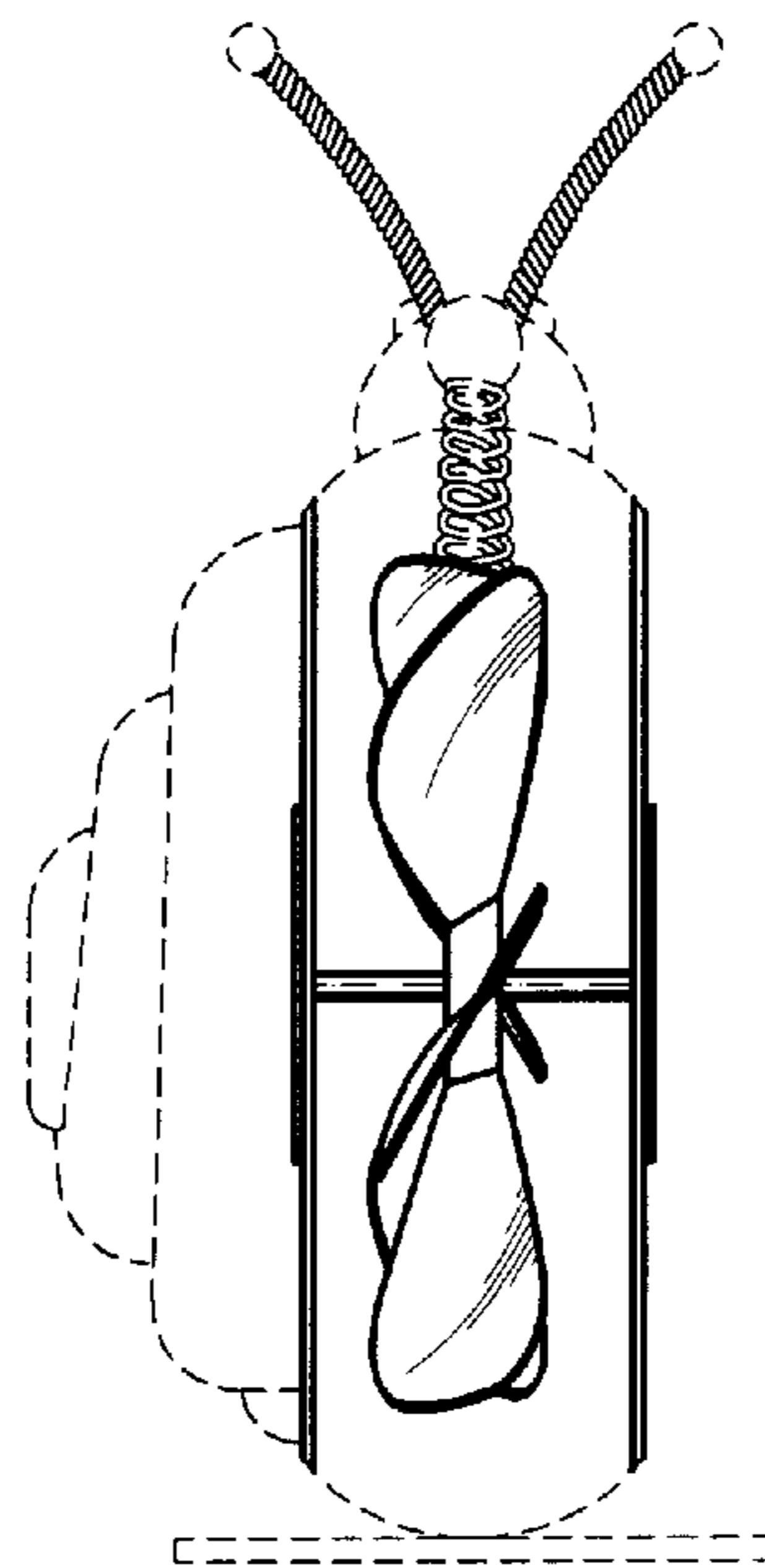


FIG. 4

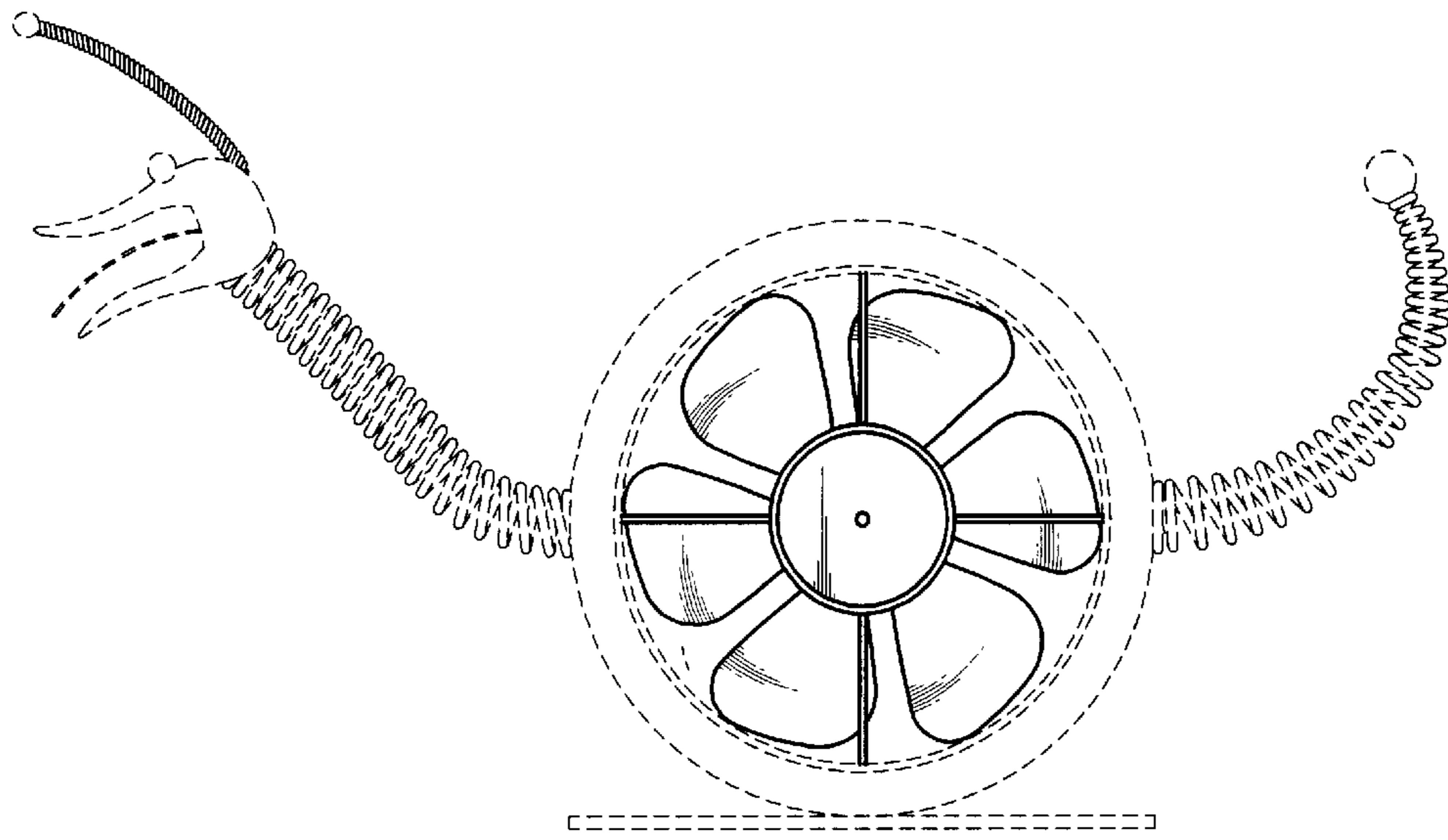


FIG. 5

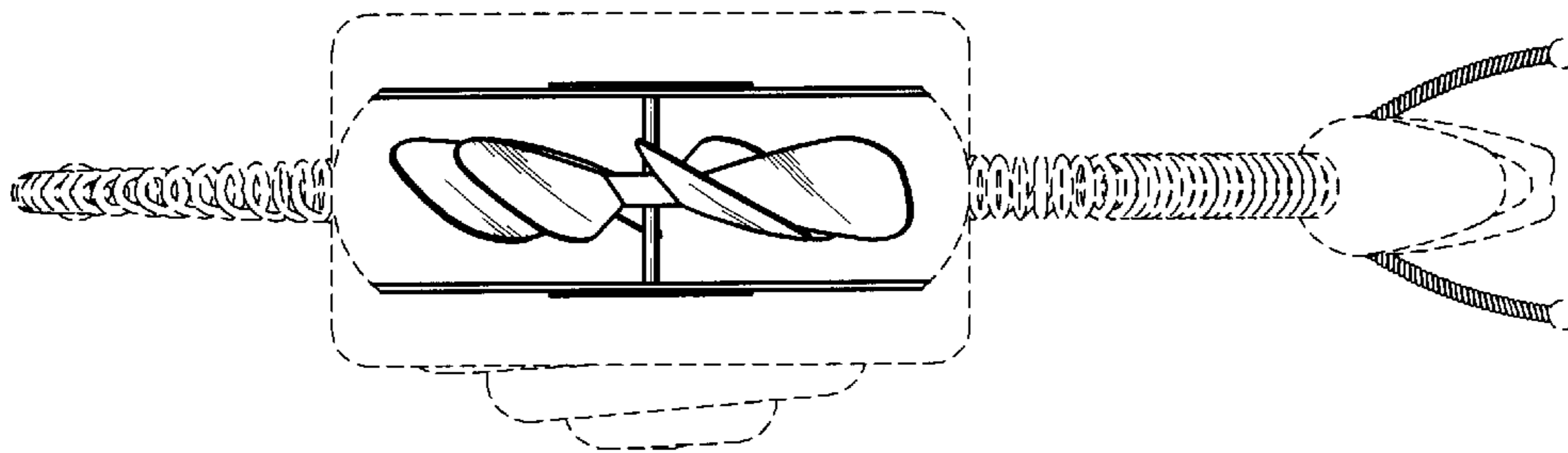


FIG. 6